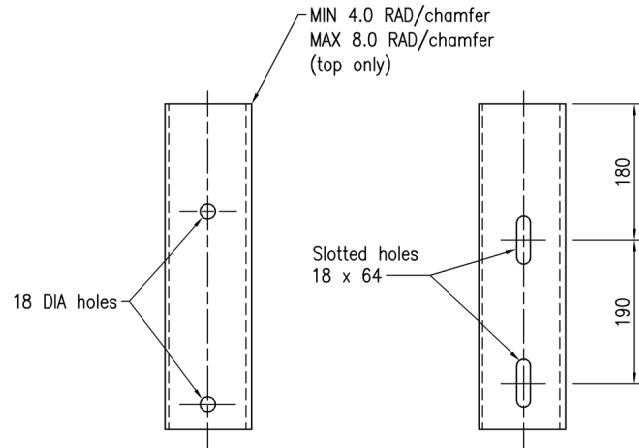
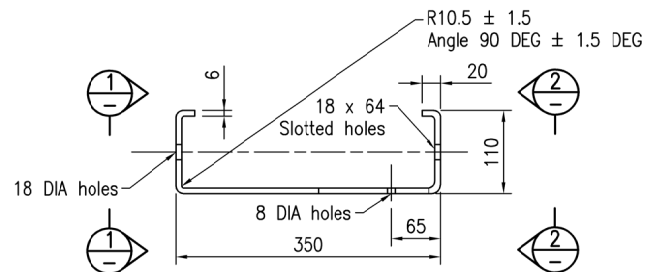


NOTCHED BLOCKOUT PIECE (P006/P007)

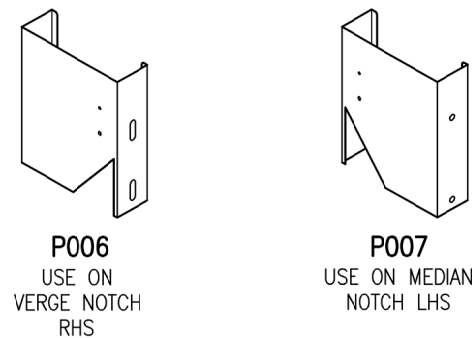


SECTION 1

SECTION 2



SECTION THROUGH BLOCKOUT

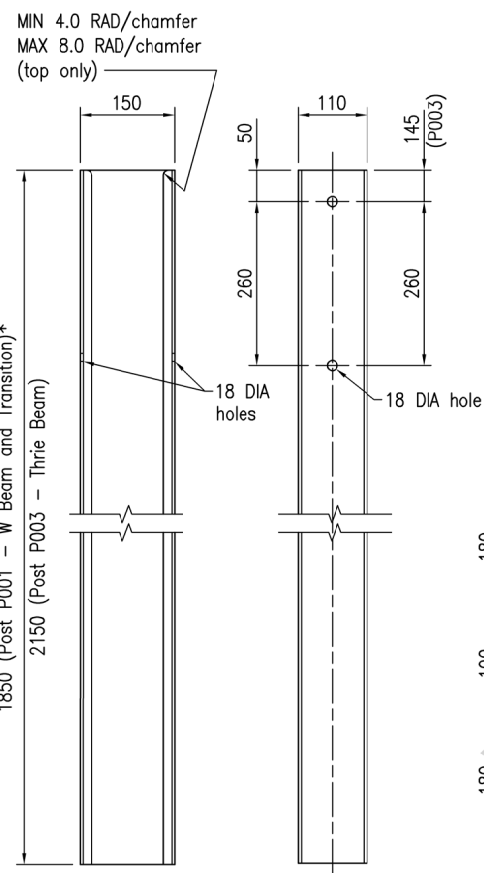


P006  
USE ON VERGE NOTCH  
RHS

P007  
USE ON MEDIAN  
NOTCH LHS

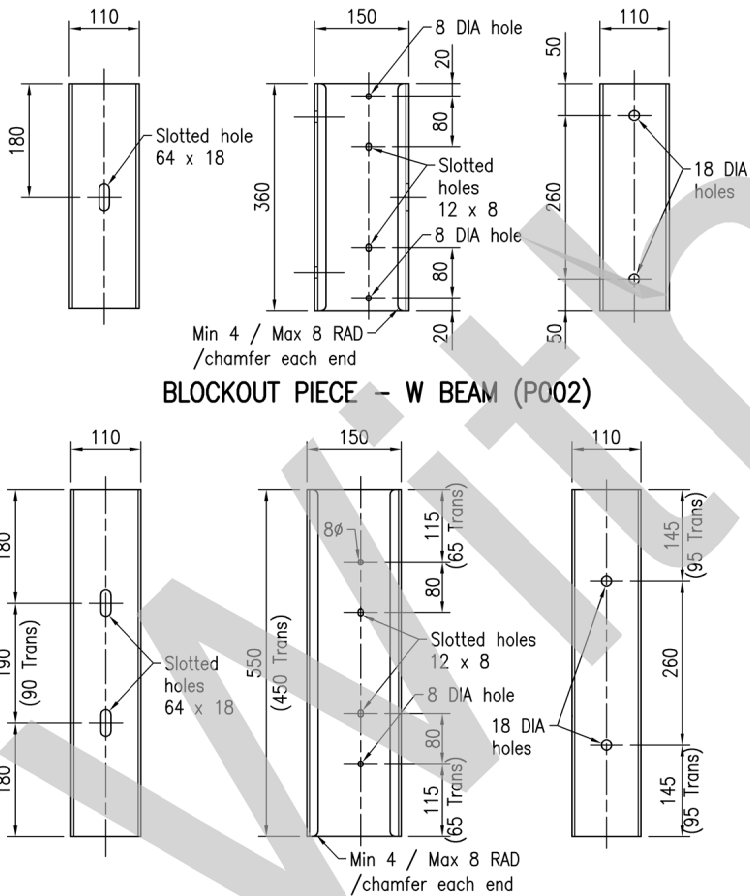
MODIFIED THRIE BEAM NOTCHED BLOCKOUT

\* OR LONGER AS NECESSARY



POST - W BEAM (P001)  
- THRIE (P003)

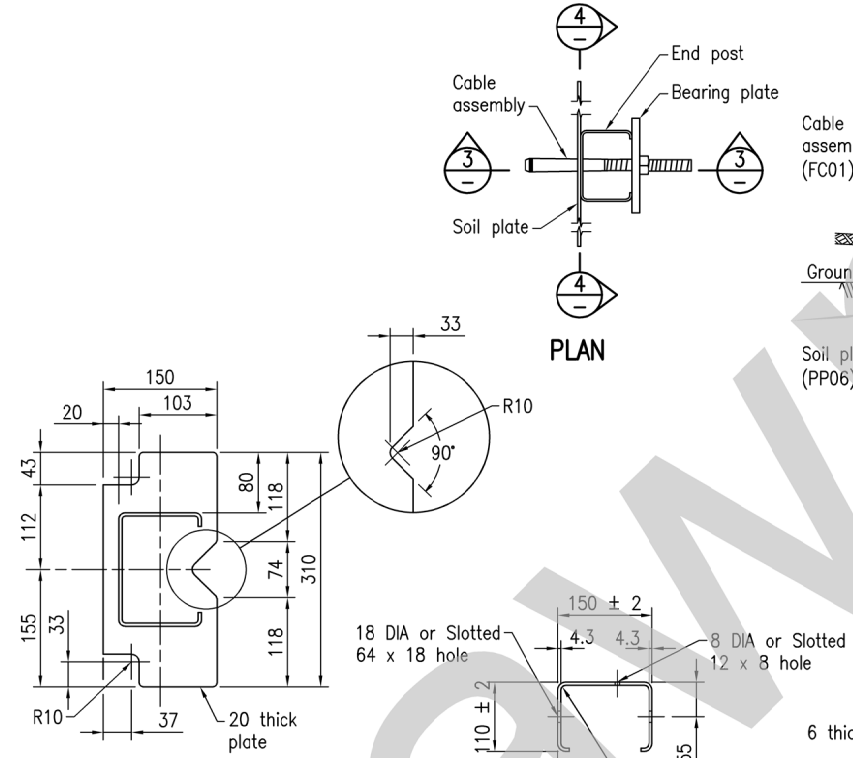
(W beam post P001 to be used with transition Blockout Piece P005)



BLOCKOUT PIECE - THRIE BEAM (P004)  
- TRANSITION (P005)

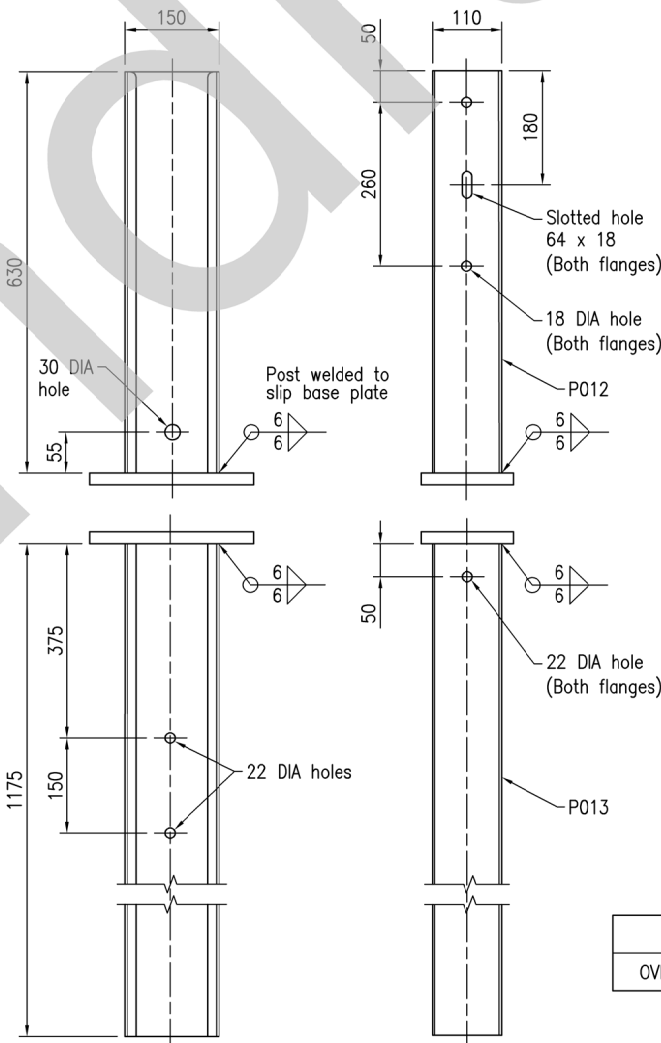
(Dimensions for Transition Blockout P005 shown in brackets)

W BEAM AND THRIE BEAM POST AND BLOCKOUT COMPONENTS



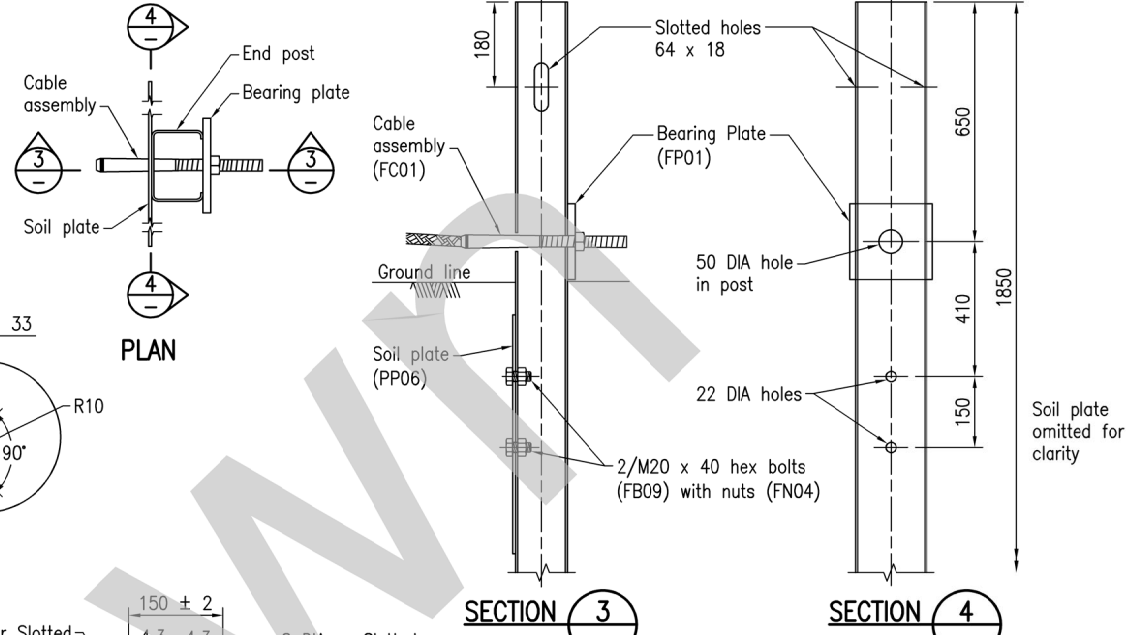
SLIP BASE PLATE

SECTION THROUGH POST AND BLOCKOUT

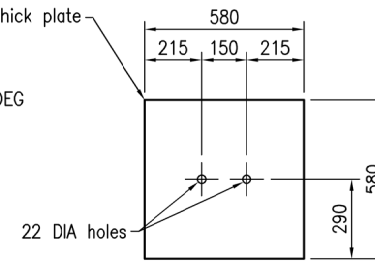


SLIP BASE POSTS  
TOP (P012)  
BOTTOM (P013)

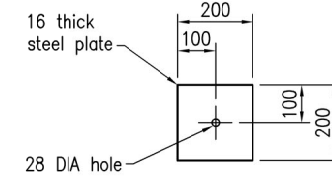
TOLERANCES	
OVERALL LENGTH	±5mm



ONE WAY TRAFFIC DEPARTURE END STEEL POST (P015)



SOIL PLATE (PP06)



BEARING PLATE (FP01)

NOTES:

- POSTS are from 4.3 BMT plate grade HA300 in accordance with AS/NZS 1594.
- BLOCKOUTS are from steel grade HU300 in accordance with AS/NZS 1594, modified thrie beam blockout from 6 BMT plate and all other blockouts from 4.3 BMT plate. BMT = Base Metal Thickness.
- SOIL PLATES shall be fabricated from steel grade 250 in accordance with AS/NZS 1594.
- BEARING PLATES and SLIP BASE PLATES shall be fabricated from steel grade HA250 in accordance with AS/NZS 3678. Posts to be welded to slip base plates in accordance with AS/NZS 1554.1.
- WELDING SYMBOLS conform to AS 1101.3. All welding to conform to AS/NZS 1554.1. All welds to be SP Category. Welding consumables for structural steel to be controlled hydrogen type T49X or G49X.
- POSTS, BLOCKOUTS and PLATES treated to AS 1627 and hot dip galvanised to AS/NZS 4680 after fabrication. Slip base posts to have weld splatter and welding slag removed prior to treatment and galvanizing.
- FLAME CUTTING of components is not permitted.
- TIGHTENING OF NUTS: Nut FN01 for slip base plates to be tightened to 25 Nm. Nut FN05 to cable assembly to be tightened so that there is no slack in the cable. All other nuts shall be snug tight to AS 4100.
- DIMENSIONS are subject to manufacturer's tolerances except where allowable tolerances are nominated.
- DIMENSIONS are in millimetres unless otherwise :

ASSOCIATED DEPARTMENTAL DOCUMENTS:  
Standard Drawings Roads Manual  
Main Roads Specifications and Technical Standar

REFERENCED DOCUMENTS:  
Departmental Standard Specifications:  
MRTS14 Road Furniture

Australian Standards:  
As shown above

This Standard Drawing is withdrawn. Public domain steel barrier systems are not to be used on new projects or installations within the TMR network. This drawing can be used for the purposes of maintaining existing installations when repairs and replacements can be reasonably and readily undertaken or if justified and certified by a RPEQ as an exception for new installation.

Department of Transport and Main Roads		<p>© The State of Queensland (Department of Transport and Main Roads) 2013 http://creativecommons.org/licenses/by/3.0/au</p>
STEEL BEAM GUARDRAIL		
A3	Standard Drawing No	<p>1477</p> <p>Date 3/2021</p>
Not to Scale	POSTS AND BLOCKOUTS, SOIL AND BEARING PLATES, SLIP BASE PLATE.	
A B C D E F G		