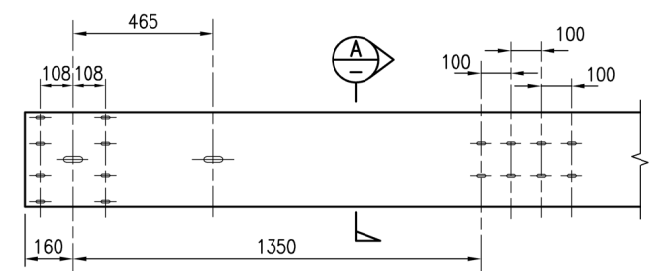
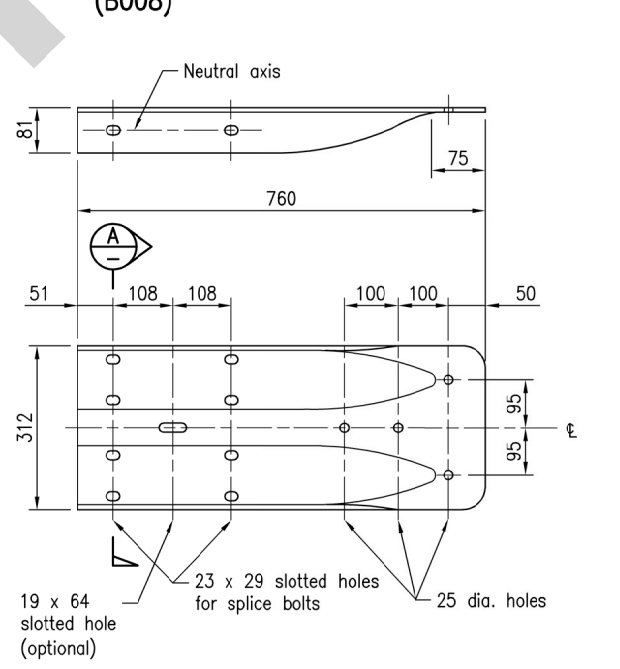
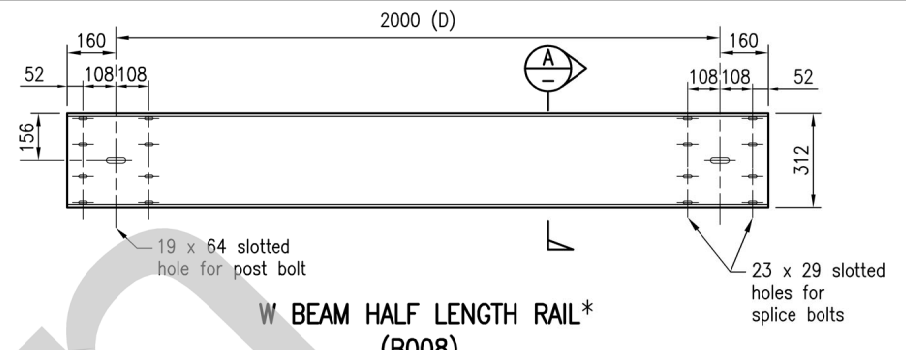
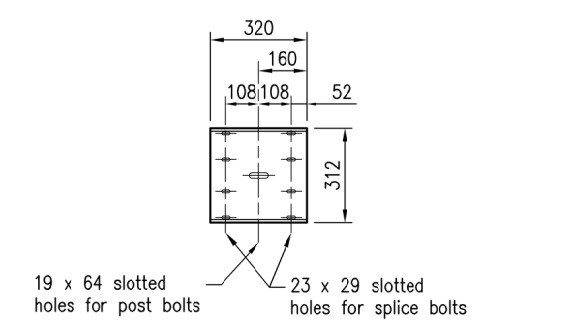


TOLERANCES	
(A)	+5mm -0mm
(B)	+3 DEG -0 DEG
(C)	+2mm -0mm
(D)	+2mm -2mm
(E)	+4mm -0mm



SETOUT DIMENSIONS ON ANCHOR RAIL BEFORE CURVING



NOTES:

- RAILS AND RAIL COMPONENTS are from 2.7 BMT Grade HA350 steel to AS/NZS 1594, treated to AS 1627 and hot dip galvanised to AS/NZS 4680 after fabrication. Flame cutting rails and rail components is not permitted. Rails and rail components to be stamped 350/2.7 BMT (or similar). BMT = Base Metal Thickness.
- TERMINAL CONNECTORS are used to attach W Beam to rigid barriers/structures. Dimensional tolerances not shown or implied are intended to be those consistent with the proper functioning of the part, including its appearance and accepted manufacturing practices.
- Tolerances and Dimensions as per AS/NZS 3845 or unless noted otherwise.
- DIMENSIONS are in millimetres unless otherwise shown.

ASSOCIATED DEPARTMENTAL DOCUMENTS:

Standard Drawings Roads Manual
Main Roads Specifications and Technical

REFERENCED DOCUMENTS:

Departmental Standard Specifications:
MRTS14 Road Furniture

Australian Standards:
AS/NZS 3845 Road Safety Barrier System

This Standard Drawing is withdrawn. Public domain steel barrier systems are not to be used on new projects or installations within the TMR network. This drawing can be used for the purposes of maintaining existing installations when repairs and replacements can be reasonably and readily undertaken or if justified and certified by a RPEQ as an exception for new installation.

Department of Transport and Main Roads		<p>© The State of Queensland (Department of Transport and Main Roads) 2013 http://creativecommons.org/licenses/by/3.0/au</p>
STEEL BEAM GUARDRAIL		
FABRICATION DETAILS FOR W BEAM RAILS AND RAIL COMPONENTS		<p>A3 Standard Drawing No</p> <p>Not to Scale 1480</p> <p>Date 12/13</p>