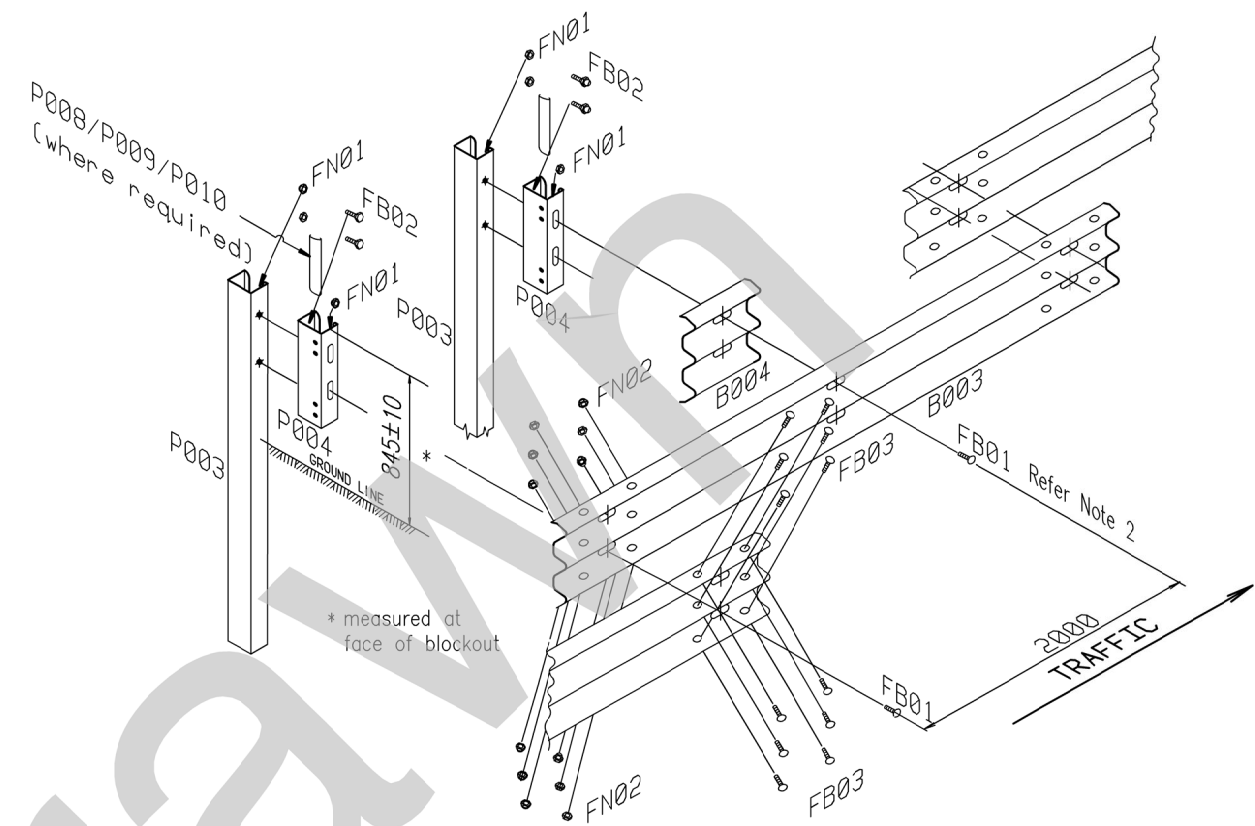


W BEAM ASSEMBLY



STANDARD THRIE BEAM ASSEMBLY

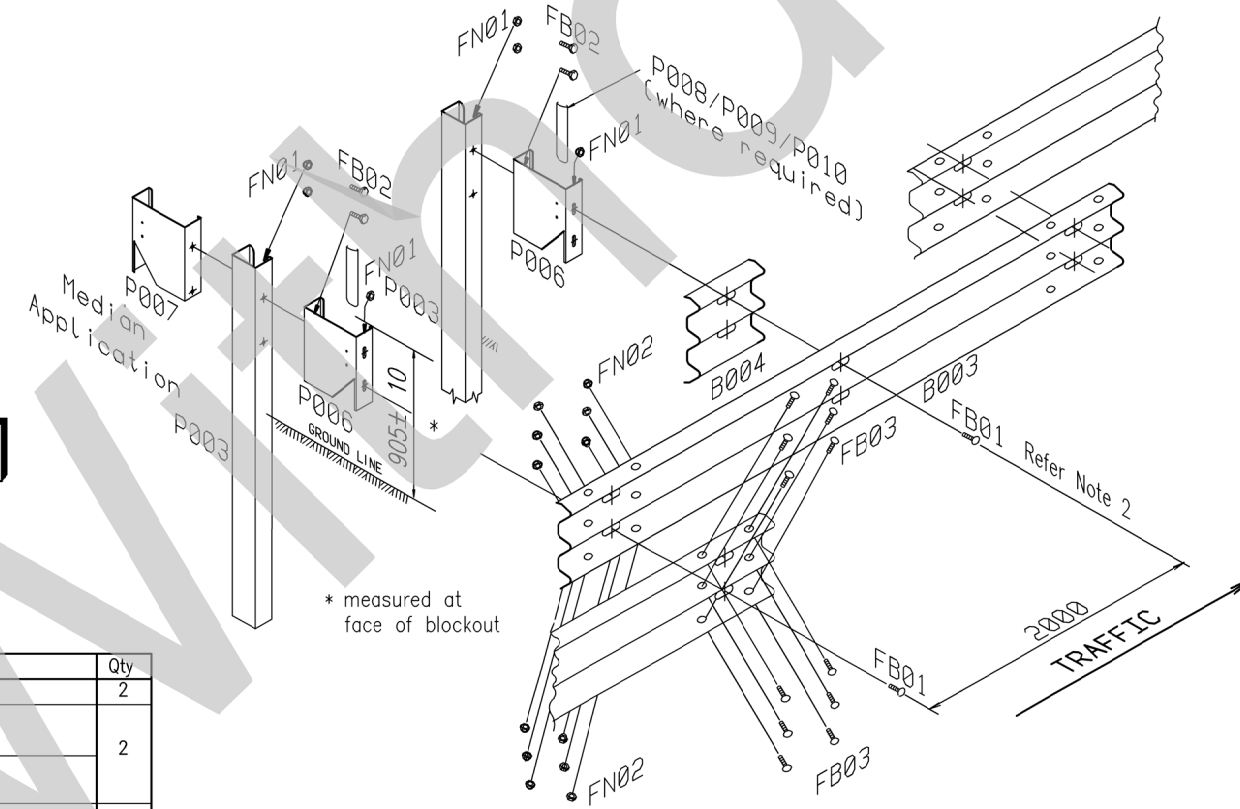
SCHEDULE OF COMPONENTS

Item No - Ref Drawing	Description	Qty
P001 - 1477	1850 Steel Post for W Beam	2
P002 - 1477	360 Blockout Piece for W Beam	2
B001 - 1480	4000 W Beam Rail	1
B002 - 1480	300 W Beam Stiffening Piece	1
FB01 - 1479	M16x50 Mushroom Head Bolt - Post	2
FB02 - 1479	M16x30 Hexagon Bolt - Post	4
FB03 - 1479	M16x32 Mushroom Head Bolt - Splice	8
FN01 - 1479	M16 Nut	6
FN02 - 1479	M16 Oversized Nut (18 deep)	8

SCHEDULE OF COMPONENTS

Item No - Ref Drawing	Description	Qty
P003 - 1477	2150 Steel Post for Thrie Beam	2
P004 - 1477	550 Blockout Piece for Thrie Beam	2
B003 - 1481	4000 Thrie Beam Rail	1
B004 - 1481	300 Thrie Beam Stiffening Piece	1
FB01 - 1479	M16x50 Mushroom Head Bolt - Post	2
FB02 - 1479	M16x30 Hexagon Bolt - Post	4
FB03 - 1479	M16x32 Mushroom Head Bolt - Splice	12
FN01 - 1479	M16 Nut	6
FN02 - 1479	M16 Oversized Nut (18 deep)	12

Dimension from Ground Line to top of Blockout is 905mm as against 845mm for Standard Blockout



MODIFIED THRIE BEAM ASSEMBLY

SCHEDULE OF COMPONENTS

Item No - Ref Drawing	Description	Qty
P003 - 1477	2150 Steel Post for Thrie Beam	2
P006 - 1477	430 Notched Blockout Piece for Thrie Beam (Verge Application)	2
P007 - 1477	430 Notched Blockout Piece for Thrie Beam (Median Application)	2
B003 - 1481	4000 Thrie Beam Rail	1
B004 - 1481	300 Thrie Beam Stiffening Piece	1
FB01 - 1479	M16x50 Mushroom Head Bolt - Post	2
FB02 - 1479	M16x30 Hexagon Bolt - Post	4
FB03 - 1479	M16x32 Mushroom Head Bolt - Splice	12
FN01 - 1479	M16 Nut	6
FN02 - 1479	M16 Oversized Nut (18 deep)	12

NOTES:

- RAIL LAP, POST AND BLOCKOUT orientation in relation to traffic direction as shown is essential.
- BOLTS FB01 to be alternated between top and bottom holes to prevent thrie beam rail twisting.
- ALL DIMENSIONS are shown in millimetres unless otherwise shown.

ASSOCIATED DOCUMENTS:

Department of Main Roads Manual of Standard Drawings Roads
 Department of Main Roads Manual of Standard Drawings

REFERENCED DOCUMENTS:

Standard Specifications:
 Road Furniture
 Australian Standards:
 AS/NZS 3845 Road Safety Barrier

This Standard Drawing is withdrawn. Public domain steel barrier systems are not to be used on new projects or installations within the TMR network. This drawing can be used for the purposes of maintaining existing installations when repairs and replacements can be reasonably and readily undertaken or if justified and certified by a RPEQ as an exception for new installation.

Department of Transport and Main Roads		 Queensland Government	 © The State of Queensland (Department of Transport and Main Roads) 2021 http://creativecommons.org/licenses/by/4.0/
STEEL BEAM GUARDRAIL			
W BEAM AND THRIE BEAM ASSEMBLIES		A3	Standard Drawing No
		Not to Scale	1482
			Date 3/2021