

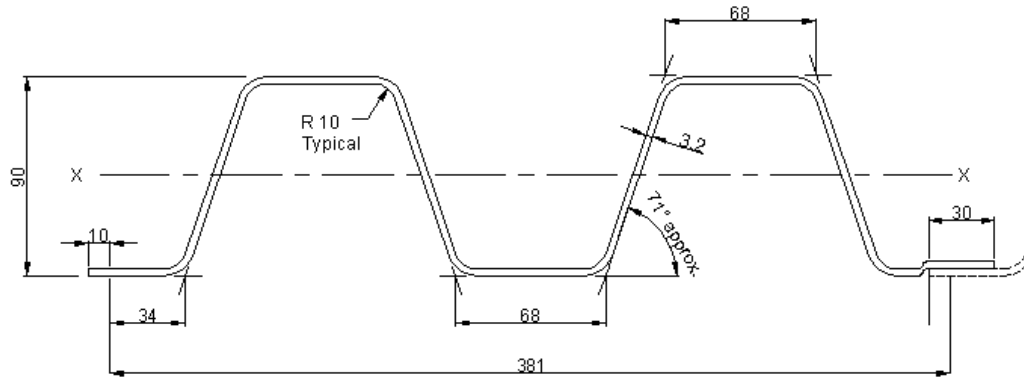
MRTS87

**Supply of Timber Bridge
Materials and Components**

Appendix F

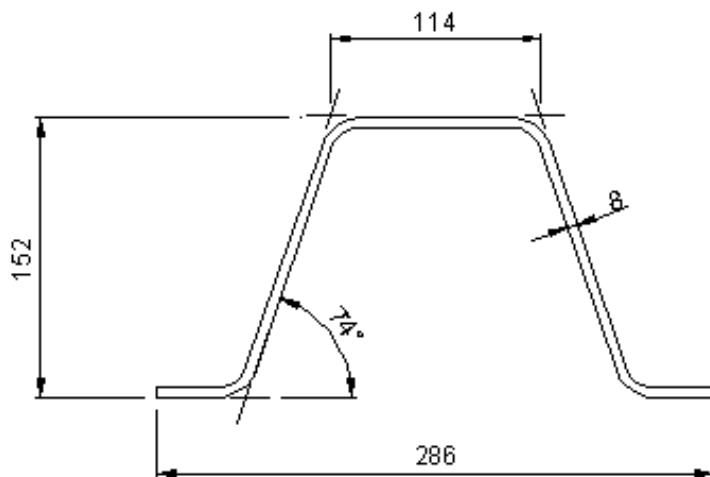
APPENDIX F

Figure 8 – Steel Bridge Deck Profile



All dimensions in millimetres

Figure 9 – Kerb Profile



All dimensions in millimetres