

MRTS87

**Supply of Timber Bridge
Materials and Components**

Appendix D

APPENDIX D

Figure 5 – Headstocks

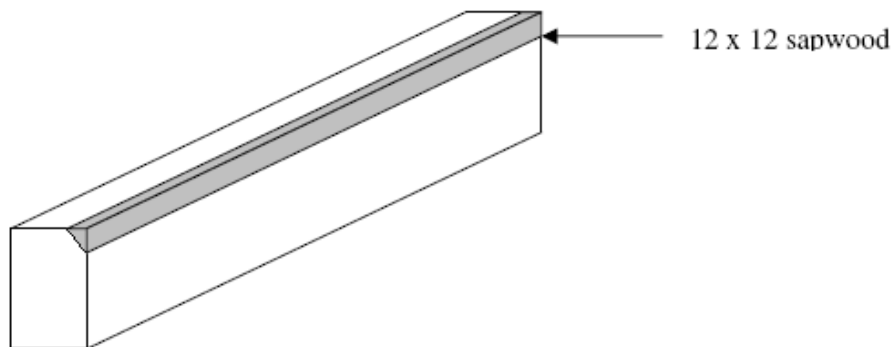


Figure 6 – Bracing and Spiking Planks

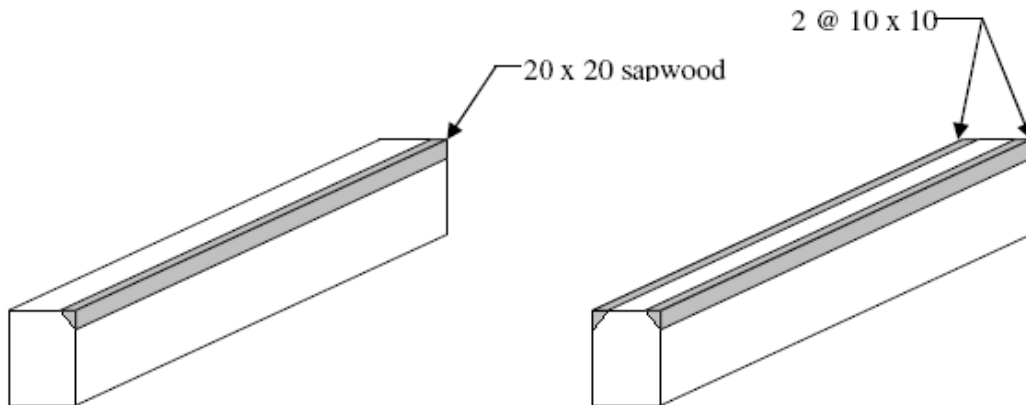
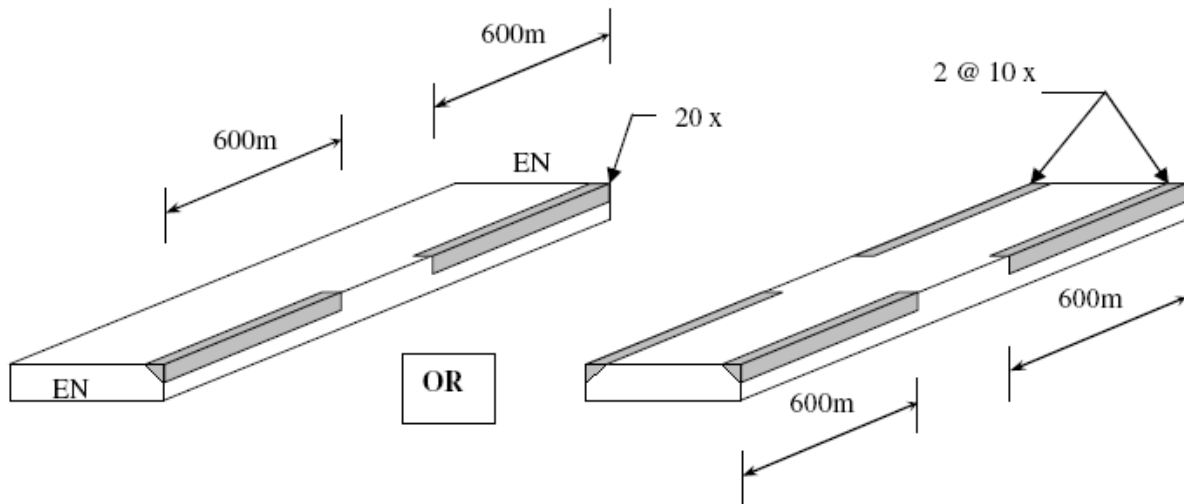


Figure 7 – Decking



ACCEPTABLE UNTREATED SAPWOOD