

Guideline for the safe movement of oversize 'special use' light trailers and oversize boats on light vehicles

Form 26 | Version 3.3

1. Statutory Authority

This guideline is issued under section 14(1)(a) of the *Transport Operations (Road Use Management— Vehicle Standards and Safety) Regulation 2010* in accordance with section 22 of the Statutory Instruments Act 1992.

This guideline replaces and repeals the *Over-dimensional light vehicle special use trailers* Version 3 December 2013 from commencement.

2. Date of Commencement

This form commences on 1 November 2017.

3. Application

This guideline is issued as an alternative means of complying with the *Transport Operations (Road Use Management— Vehicle Standards and Safety) Regulation 2010*, Part 2A Vehicle dimensions, Division 2, section 13E Width and section 13D Length 13I rear overhang.

This guideline provides the conditions of on road travel in Queensland for:

- a) Oversize light trailers by length that carry dragon boats, rowing sculls, aircrafts and yachts.
- b) Oversize boats with width over 2.5 metres up to 2.9 metres on light vehicles/trailers of complying dimensions.

4. Definitions

For the purpose of this guideline:

ATM (aggregate trailer mass) — the total mass of the laden trailer when carrying the maximum load recommended by the manufacturer. This will include any mass imposed onto the drawing vehicle when the combination vehicle is resting on a horizontal supporting plane.

business day means a day that is not a Saturday, Sunday, or a public holiday.

city means and includes any place within the city limits of the following towns or cities listed and are not limited to the Central Business District of any such place. The towns or cities included are: Brisbane, Bundaberg, Caboolture, Cairns, Caloundra, Gladstone, Gold Coast, Ipswich, Logan City, Mackay, Maryborough, Mount Isa, Rockhampton, Townsville, and Toowoomba.

combination means a motor vehicle connected to a trailer.

daytime means the period beginning at sunrise and ending at sunset or where visibility is not less than 250m in natural light.

dragon boat means a very long and narrow boat that is used in team paddling sports and is human powered.

forward projection means the measurement from the rear overhang line to the tow coupling point.

front projection means the measurement from the tow coupling to the front of the load.

GVM (Gross Vehicle Mass) means the maximum loaded mass of a vehicle:

- a) stated on the vehicle's compliance or identification plate; or

- b) stated in a way prescribed under a regulation.

light vehicle means a motor vehicle that has a Gross Vehicle Mass of 4.5 tonne or less, or a trailer that has an ATM of 4.5 tonne or less.

night-time means the period beginning at sunset and ending at sunrise or where visibility is less than 250m due to natural light.

oversize light vehicle means a light vehicle that, together with any load, does not comply with part 2A, division 2 (Particular dimensions) or 3 (Projections) of the *Transport Operations (Road Use Management—Vehicle Standards and Safety) Regulation 2010*.

over-width boat means a boat exceeding 2.50 metres wide up to 2.90 metres wide.

rear overhang means the measurement from the rear overhang line to the rear of the trailer (including its load).

rear overhang line means:

- a) for a trailer with a single axle, a line running along the centre of the axle; and
- b) for a trailer with an axle group comprising 2 or more axles each fitted with the same number of wheels, a line running parallel to the axles down the centre of the axle group.

rowing scull means a very long and narrow boat manually powered by a single person or team.

tow coupling means the point at which the trailer is attached to the towing vehicle.

yacht means a recreational vessel normally powered by wind.

5. Operational

The vehicle/combination must be a light vehicle.

The vehicle or towing vehicle must have sufficient capacity to safely carry and/or tow the load. Manufacturer's ratings must not be exceeded for the vehicle, trailer and any towing components.

Trailers not meeting regulatory requirements must only be used to transport a dragon boat/s, rowing scull/s, an aircraft or a yacht, but may also travel unladen.

Additional external rear view mirrors may be required when towing large trailers. These external rear vision mirrors may project up to 150mm beyond the widest part of the combination, or 230mm if the mirror can fold to project not more than 150mm.

The load must be restrained in accordance with the 'Load Restraint Guide' as referenced in the *Transport Operations (Road Use Management—Vehicle Standards and Safety) Regulation 2010*. At the commencement of this Guideline, the Load Restraint Guideline could be accessed at <http://www.ntc.gov.au/>.

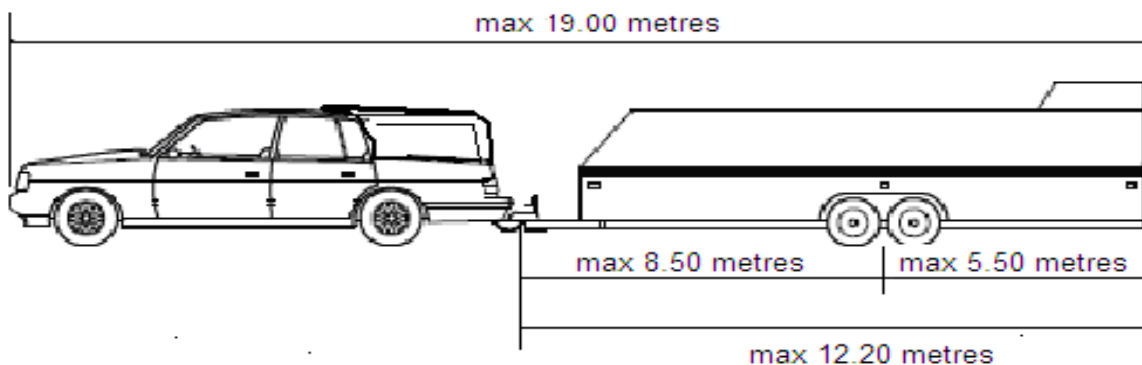
6. Dimensions

6.1. Aircraft trailers

The following dimensions must not be exceeded:

- a) Combination length of the towing vehicle, trailer and its load – 19.00m.
- b) The maximum width of a trailer and its load – 2.50m.
- c) The width of the load carrying area or body of the aircraft trailer – 2.00m if the rear overhang is greater than 3.70m.
- d) Trailer length – 12.20m.
- e) Forward projection – 8.50m.
- f) Rear overhang – 5.50m.
- g) The load area behind the aircraft trailer's rear overhang line may be longer than the load area forward of that line, provided there is a positive downward force on the towing vehicle's tow coupling.

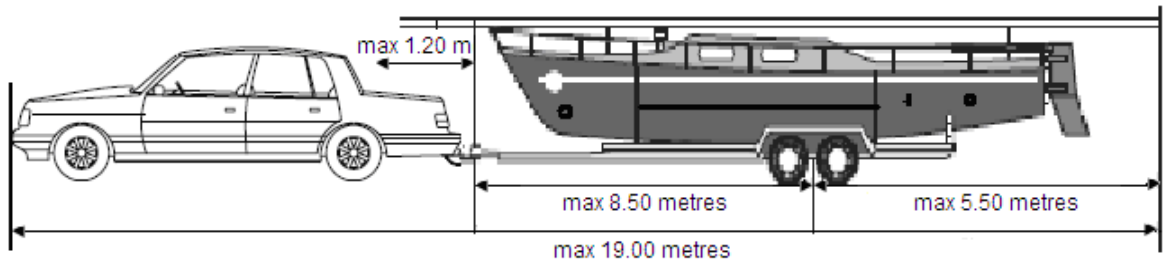
Note: Downward force must also be applied to the towing vehicle's tow coupling if the trailer is being towed unladen.



6.2. Trailer loaded with a yacht

The following dimensions must not be exceeded:

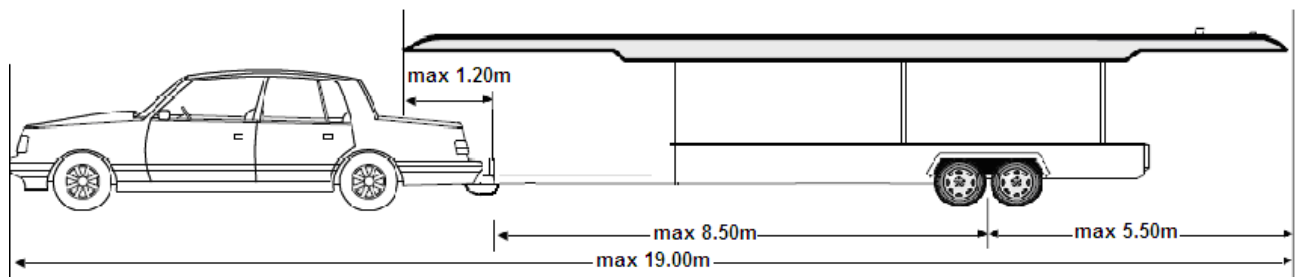
- a) Combination length of the towing vehicle, trailer and its load – 19.00m.
- b) The maximum width of a trailer and its load – 2.50m.
- c) Forward projection – 8.50m.
- d) Front projection – 1.20m.
- e) Rear overhang – 5.50m.



6.3. Trailer loaded with a dragon boat or rowing scull/s

The following dimensions must not be exceeded:

- Combination length of the towing vehicle, trailer and its load – 19.00m
- The maximum width of a trailer and its load – 2.50m.
- Trailer length – 12.20m.
- Forward projection – 8.50m.
- Front projection – 1.20m.
- Rear overhang – 5.50m.



6.4. Transporting over width boats

The following dimensions must not be exceeded:

- Length of rigid vehicle including load – 12.50 metres.
- Length of combination including load – 19.00 metres.
- Width of the vehicle/combination including the load – 2.9 metres
- Width of the vehicle/trailer (without load) – 2.50 metres.
- Height of vehicle including load – 4.30 metres.

Note: If dimensions of this guideline are exceeded the operator may apply for an exemption permit using the Vehicle Standards Permit Application/Renewal form (F4880). The form is available at <http://www.tmr.qld.gov.au>.

7. Travel Restrictions

7.1. Route

Vehicles are permitted to operate on all roads in Queensland unless:

- a) mentioned in this guideline; or
- b) the road is signed as not suitable for the size of the vehicle/combination; or
- c) temporary road closures/restrictions are imposed

In the event of heavy and or prolonged rain affecting a route, movement may be deferred by a representative of the Chief Executive of the Department of Transport and Main Roads until such day and time as determined.

Note: Current information relating to road closures, restrictions and current roadworks is available on the following websites: www.131940.qld.gov.au or www.racq.com.au.

Drivers of vehicles/combinations operating under this guideline must ensure travel is restricted to the safest direct route from the point of origin to the destination.

Drivers of vehicles/combinations operating under this guideline must ensure the route is suitable for travel with minimum inconvenience to other road users.

A rowing scull trailer loaded with rowing scull/s, or a dragon boat trailer loaded with dragon boat/s, or a yacht trailer loaded with a yacht, or an aircraft trailer exceeding 5.00m rear overhang must travel in accordance with travel time restrictions described in sub section 7.2 of this guideline.

A vehicle/combination transporting an over-width boat must operate in accordance with travel restrictions described in sub section 7.2, sub-section 7.3, and is not permitted on the following roads:

- a) Pacific Motorway (South East Freeway and Riverside Expressway) north of its intersection with the Gateway Arterial Road
- b) Western Arterial Road from Miskin Street, Toowong to Lloyd St. Enoggera. (Frederick Street, Rouen Street, Boundary Street, Kaye Street, MacGregor Terrace, Jubilee Terrace, Elimatta Drive, Stewart Road, Wardell Street up to Lloyd St.)
- c) Houghton Highway Bridge and Ted Smout Bridge
- d) Clem 7 (North-South bypass) Tunnel
- e) Airport Link Tunnel
- f) Legacy Way Tunnel.

7.2. *Travel time restrictions*

A person must not drive a vehicle/combination operating under this guideline in the City of Brisbane, Gold Coast City, or Central Business District of any other city between 7.00am and 9.00am and or between 4.00pm and 6.00pm on business days.

Note: The boundaries for Brisbane City and Gold Coast City are detailed in most current street directory or websites www.brisbane.qld.gov.au and www.goldcoast.qld.gov.au, respectively.

7.3. *Christmas, New Year and Easter restrictions for the transporting of over-width boats*

7.3.1 An over-width vehicle or combination transporting a boat is not permitted to travel throughout Queensland:

- from 24 December to 26 December. When Christmas Day falls on a Saturday, Sunday or a Monday, restrictions applying to oversize vehicles and combinations commencing on the 24 December, will be extended to commence from 12 noon on the Friday prior to Christmas Day to 11.59pm on the Boxing Day public holiday.
- from 31 December to 2 January. When 1 January falls on a weekend, restrictions applying to oversize vehicles and combinations will be extended to 11.59pm on the New Year's Day holiday of that year.
- from Thursday before Easter to the Tuesday after Easter inclusive.

Despite 7.3.1, an over-width vehicle or combination transporting a boat is permitted to travel during the restricted periods provided travel is not on any highway, motorway, or freeway, and the vehicle is travelling to or from a place to launch the boat.

Note: Emergency services (only) are exempt from travel restrictions within the Christmas, New Year and Easter restriction period, in the event of extraordinary circumstances, such as:

- coastal and marine rescue operations;
- oil spill response;
- border protection;
- matters of health and safety.

For movements under other circumstances, application can be made to the Vehicle Standards Unit for travel exemption permits.

Each situation is to be assessed on its merits with the safety of other road users as the priority.

For further information, contact the Vehicle Standards Unit at vehiclestandards@tmr.qld.gov.au or by telephone on 13 23 80.

8. **Warning Devices**

8.1. *Signs*

An aircraft trailer must display a "warning pattern" covering an area at least 0.16sq m (e.g. 100mm x 1600mm) at the rear of the trailer.

A dragon boat trailer loaded with dragon boat/s or a rowing scull trailer loaded with rowing scull/s or a trailer loaded with a yacht must have a "warning sign" fitted, (in compliance with Schedule 1 of this

guideline) to the rear of the trailer when operating with a rear overhang exceeding 3.70m. (Refer to Schedule 1 for an example of the approved sign).

When transporting over width boats the following must be displayed:

- a) one "warning sign" at its front; and
- a. one "warning sign" at the rear, or if it is carrying a rear projecting load, at the rear of the load.

If the combination is over 7.5m in length the driver may occupy the next marked lane or both lanes to make a turn provided the trailer displays a "Do Not Overtake Turning Vehicle" sign at the rear of the vehicle. (Refer to Schedule 1).

8.2. Warning Flags

Rowing scull/s, or a dragon boat, or a yacht, or over width boat protruding more than 1.20m from the rear of the trailer, must have fitted to the rear of the protruding shell, or boat, or yacht, or each of the outer protruding shells, a warning flag.

Over width boats require four warning flags, with one flag fitted to each side of the front and rear of the vehicle or combination, or if there is any projecting load at each side of both the front and the rear of the projecting load. (Refer to Schedule 1)

Note: Warning flags are to delineate the extremities of the load/trailer and must be attached at the widest and/or longest parts of the load/trailer.

8.3. Daytime lighting requirements

When transporting over width boats during daytime travel, the vehicle must have its low beam headlights switched on.

8.4. Night-time lighting requirements

At night-time, a vehicle/combination with a load protruding more than 1.20m from the rear of the trailer must have the following additional lighting:

- a) side markers - yellow lights to the front and red or yellow lights to the rear, no more than 2m apart along both sides of the oversize vehicle/combination and along any front and rear projection;

Note: Side markers must start and finish at the end of the projecting load. For Rowing scull/s, dragon boat, or yacht/s lights must be hung along the outer sides of the shell or boat.

- b) rear clearance lights - two red lights fixed to the rear of any projecting load within 400mm of each side of the load, and at least 1 metre but no more than 2.1 metres above the ground; and

A vehicle/combination with an over width boat must display in addition to 8.4 a) and b):

- a) a warning light (a yellow coloured rotating or simulated rotating light) must be displayed at night if the oversize vehicle/combination is wider than 2.5 metres.

Note: A warning light must be operating when the vehicle/combination transporting an over width boat is travelling or is stationary in a position that is likely to cause danger to other road users.

9. Standards

All light trailers must comply with the requirements of Vehicle Standards Bulletin 1 (VSB 1): National Code of Practice – Building Small Trailers, except for dimensions exempted by this guideline.

10. Additional operating conditions for the transportation of over width boats

Travel is not permitted if, in circumstances of limited visibility such as fog, heavy rain, smoke or dust:

- a) visibility is less than 250 metres in the daytime, or
- b) the headlights of a vehicle approaching within 250 metres could not be seen at night.

If a vehicle is already travelling when the visibility is reduced to the limit above, the driver must drive to the nearest safe parking area and wait until visibility improves beyond that level before continuing to travel.

The maximum speed limit applying to a person driving a vehicle/combination transporting an over width boat is **90km/h** outside built up areas, except where official traffic signs indicate a lower speed limit.

The driver of a vehicle/combination transporting an over width boat must maintain a distance of at least 200 metres from another oversize vehicle/combination travelling in front of it, unless:

- a) it is overtaking the vehicle in front and/or the vehicle in front is stopping; or
- b) it is overtaking the vehicle in front and there is a separate lane available for the use of overtaking traffic; or
- c) it is in an urban area and it is not practicable to maintain a distance of 200 metres.

Schedule 1

Requirements For Warning Devices

1. Warning signs

A “warning sign” must comply with the following specifications:

- a) The face must have a yellow surface which complies with Class 1 or 2 of Australian Standard AS 1906 Retro-reflective Materials and Devices for Road Traffic Control Purposes; and
- b) the face of the warning sign must have a black border at least 20 millimetres wide; and
- c) the outermost edge of the border must be set at least 10 millimetres in from the edge of the sign unless the sign has been made with a box edge; and
- d) the warning sign must have the manufacturer’s name or trademark permanently marked in letters at least 3mm but not more than 10 millimetres high in any visible location on the sign. The manufacturer’s marking may appear in any visible location of the sign.

A warning sign must be made of:

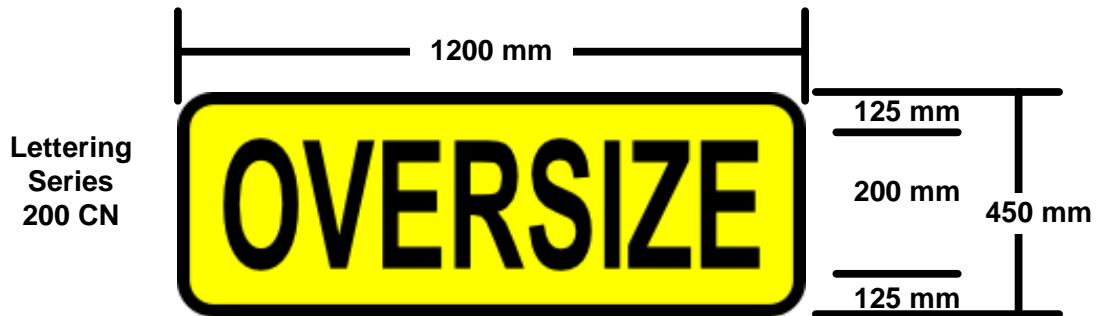
- a) rigid, flat, weatherproof material; or
- b) may be made of flexible, waterproof material if the sign is —
 - (i). held taut; and
 - (ii). clearly visible; and
 - (iii). unlikely to become dislodged, furl or otherwise become difficult to read by other road users.

A warning sign on a vehicle/combination must have a face showing:

- a) the word ‘OVERSIZE’, in black upper-case lettering, conforming with Australian Standard AS 1744, Forms of Letters and Numerals for Road Signs, in typeface Series C(N); and
- b) the letters must be at least 200 millimetres high; and
- c) the top and bottom of the lettering must be at least 125 millimetres from the top and bottom of the sign, respectively; and
- d) a warning sign on a vehicle/combination transporting an over width boat must be at least 1200mm long and at least 450 millimetres high.
- e) a warning sign which splits in two parts on a vehicle/combination transporting an over width boat must have a combined length of at least 1200 millimetres.

A warning sign which is split in two parts on a vehicle/combination must have:

- a) the part mounted on the left showing the letters 'OVER'; and
- b) the part mounted on the right showing the letters 'SIZE'; and
- c) there must be no border between the two parts.



A warning sign on a vehicle/combination must be mounted:

- a) in a way unlikely to be dislodged; and
- b) the lower edge of the sign must be:
 - (i) above the bottom of the bumper bar or bull bar; or
 - (ii) if there is no bumper bar, at least 500 millimetres from the ground; and
 - (iii) if the sign is split into two parts, each part must be fitted at the same height as the other.

Alternately the forward facing warning sign can be mounted in the following way:

- a) central position above the vehicle's roof; and
- b) leaning back so the top edge of the sign is not more than 200 millimetres from the upright position.

A warning sign on the vehicle may have bottom corner cut-outs not more than 150 millimetres wide and not more than 100 millimetres high if they are needed for mounting the warning lights.

A warning sign must be clearly visible and legible to other road users.

A warning sign on a vehicle/combination must be entirely covered, removed, or laid flat so as not to be read by other road users when the vehicle/combination is not exceeding regulated dimensions of 2.5 metres.

2. Do Not Overtake Turning Vehicle sign

“Do Not Overtake Turning Vehicle” sign must meet the requirements in the Vehicles Standards Bulletin 12 (VSB 12).



3. Warning Pattern

“Warning pattern” must meet Vehicles Standards Bulletin 12 (VSB 12) and shall consist of diagonal stripes at least 150mm wide alternately coloured - red and yellow. (Example below)



4. Warning flags

A “warning flag” must:

- a) be at least 450 millimetres long and at least 450 millimetres wide; and
- b) be brightly coloured red, yellow, or red and yellow.

5. Warning lights

When switched on, a “warning light” on a vehicle/combination transporting an over width boat must:

- a) emit a rotating or simulated rotating yellow coloured light, and
- b) rotate or simulate rotation between 120 and 200 times a minute, and
- c) have a power adequate to meet the requirement for 5.2 below, and
- d) not be a strobe light.

5.1 A warning light on a vehicle/combination with an over width boat vehicle must be clearly visible at a distance of 500 metres in all directions.

Note: If the warning light is not clearly visible in all directions, it must be supplemented by one or more additional warning lights so that the emitting light from at least one of the lights is clearly visible at a distance of 500 metres in any direction.

Note: Vehicle Standards Bulletins (VSBs) can be accessed and downloaded from the Department of Infrastructure and Transport website at:
http://www.infrastructure.gov.au/roads/vehicle_regulation/bulletin/index.aspx