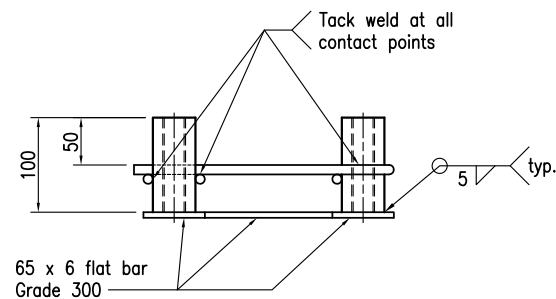
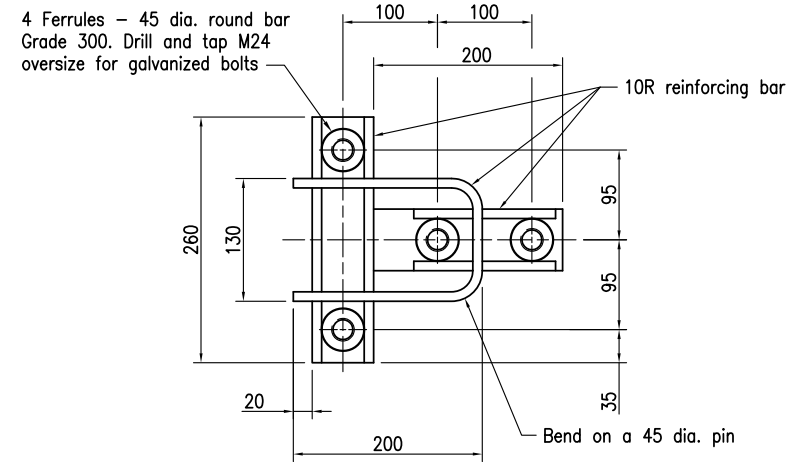


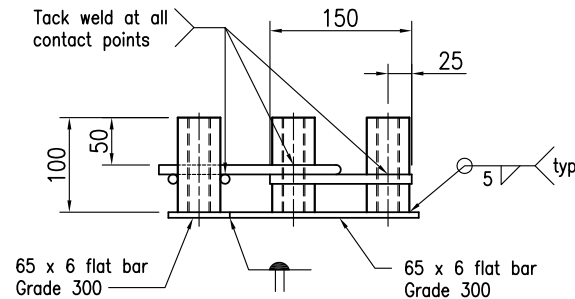
PLAN



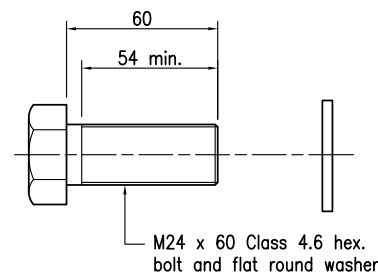
ELEVATION  
CAST-IN ANCHOR ASSEMBLY  
FOR THRIE BEAM (FC02)



PLAN



ELEVATION  
CAST-IN ANCHOR ASSEMBLY  
FOR W BEAM (FC03)



BOLT DETAIL FOR  
STEEL BEAM TERMINAL CONNECTOR  
TO CAST-IN ANCHOR ASSEMBLY

FC02 - 5 Off  
FC03 - 4 Off

**NOTES:**

- STEELWORK to be fabricated to the requirements of MRTS78.  
Flat bar and round bar to AS/NZS 3679.1.  
Reinforcing steel to be Grade R250N in accordance with AS/NZS 4671.  
Bolts Class 4.6 to AS 1111.1 and washers for Class 4.6 bolts to AS 1237.  
All bolts to be hot dip galvanized to AS 1214. All other steelwork to be hot dip galvanized to AS/NZS 4680 unless shown otherwise. Prior to galvanizing all weld splatter and welding slag is to be removed.
- WELDING symbols conform to AS 1101.3.  
All welding to AS/NZS 1554.1.  
All welds, except location tack welds, to be SP category.  
Welding consumables to be controlled hydrogen type: E49XX or W50X unless shown otherwise.
- DIMENSIONS are in millimetres unless shown otherwise.

**ASSOCIATED DOCUMENTS:**

- Main Roads Standard Drawings Roads manual
- Main Roads Specifications and Technical Standards Manual

**REFERENCED DOCUMENTS:**

- Standard Drawings:
- 1470 Single Slope Concrete Barrier - Transition between Median Barrier and Thrie Beam Guardrail
  - 1475 Steel Beam Guardrail - Installation on Bridge and Barrier Approaches
  - 1480 Steel Beam Guardrail - Fabrication Details for W Beam Rails and Rail Components
  - 1481 Steel Beam Guardrail - Fabrication Details for Thrie Beam Rails and Rail Components
  - 1484 Steel Beam Guardrail - Batter Slope Terminals (1 on 1 and Steeper)
  - 1486 Single Slope Concrete Barrier - Concrete Terminal with Thrie Beam Guardrail Connection General Details

**Standard Specifications:**

- MRTS14A Road Furniture (Steelwork)
- MRTS78 Fabrication of Structural Steelwork

**Australian Standards:**

- AS 1101.3 Graphical Symbols for General Engineering
- AS 1111.1 ISO Metric Hexagon Bolts and Screws - Product Grade C - Bolts
- AS 1214 Hot-dip Galvanized Coatings on Threaded Fasteners (ISO Metric Course Thread Series)
- AS 1237 Plain Washers for Metric Bolts, Screws and Nuts for General Purposes
- AS/NZS 1554.1 Structural Steel Welding - Welding of Steel Structures
- AS/NZS 3679.1 Structural Steel - Hot-rolled Bars and Sections
- AS/NZS 4671 Steel Reinforcing Materials
- AS/NZS 4680 Hot-dip Galvanized (Zinc) Coatings on Fabricated Ferrous Articles

CONCRETE BARRIER/BRIDGE PARAPET		Queensland Government Department of Transport and Main Roads	
CAST-IN ANCHOR ASSEMBLY FOR W AND THRIE BEAM GUARDRAIL CONNECTION	A3	Standard Drawing No	
	Not to Scale	1467	
		Date 9/10	
	A	B	C