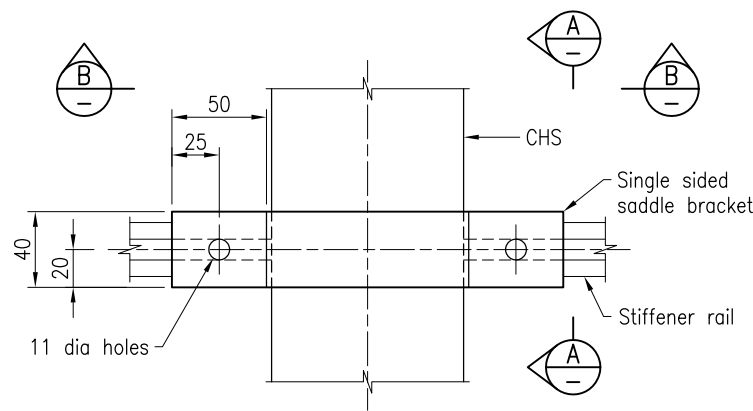
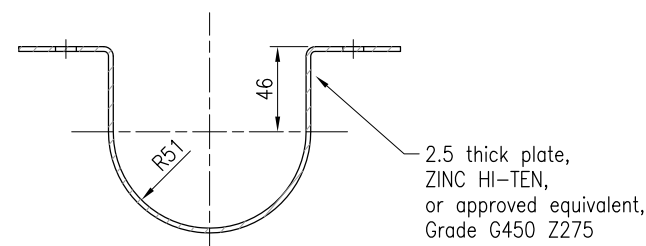


TYPICAL REAR ELEVATION
GENERAL ARRANGEMENT



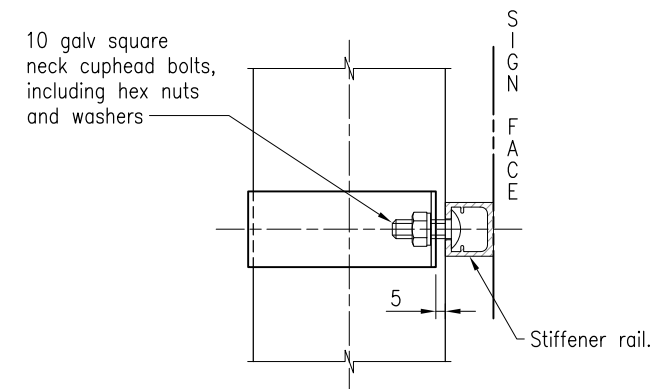
REAR ELEVATION
Fasteners omitted



102mm SINGLE SIDED
SADDLE BRACKET

SECTION B

DETAIL 1
STIFFENER CONNECTION



SECTION A

NOTES:

- BOAT RAMP INFORMATION SIGN GENERAL ARRANGEMENT: This drawing shall only be used for sign installation in loose to medium cohesionless sand soil (or stronger), Region C wind categories (or less), and with a total signage height 'h' less than 3150mm at 1000mm above ground level.
- CONCRETE shall be S32/20 to MRTS70 poured directly against augered hole and vibrated to full depth. Concrete shall be minimum age 24 hours before sign face installation.
- STEELWORK shall be fabricated to the requirements of MRTS78. CHS shall be to AS/NZS 1163. ZINC HI-TEN, or other approved equivalent hot rolled steel products, shall be to AS/NZS 1365. Bolts Class 8.8, nuts Class 8 and washers for Class 8 bolts to AS/NZS 1252, thin nuts Class 5 to AS 1112.4. All bolts and nuts shall be hot dip galvanized to AS 1214. All other steelwork shall be hot dip galvanized to AS/NZS 4680.
- ALUMINIUM: Extruded aluminium shall be type 6061-T6 or 6063-T6. Aluminium sheet sign substrate shall be 1.6 mm thick type 5251-H38.
- SIGNFACE: Legend and background shall be Class 1W retroreflective defined in AS/NZS 1906.1.
- RIVETS: Type and spacing to fix sign plates to stiffener rails shall be:

Rivet type	Distance from edge of stiffener to first fixing	Distance to second fixing	Maximum spacing of fixings
4mm aluminium head rivets	30mm	20mm	200mm

Rivet heads shall be coloured to match the surrounding material.

- Dimensions are in millimetres.

ASSOCIATED DEPARTMENTAL DOCUMENTS:

Manual of Uniform Traffic Control Devices (MUTCD)

REFERENCED DOCUMENTS:

Departmental Specifications:

MRTS70 Concrete

MRTS78 Fabrication of Structural Steelwork

Department of Transport and Main Roads		<p>© The State of Queensland (Department of Transport and Main Roads) 2017 http://creativecommons.org/licenses/by/3.0/au</p>	
BOAT RAMP			
INFORMATION SIGNS - MATERIALS, FABRICATION, AND GENERAL ARRANGEMENT		A3	Standard Drawing No 4024
		Not to Scale	Date 4/17
		A	