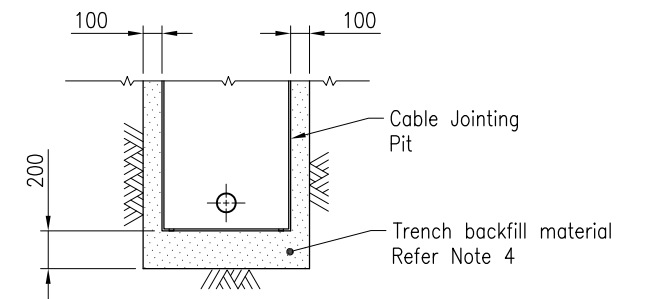
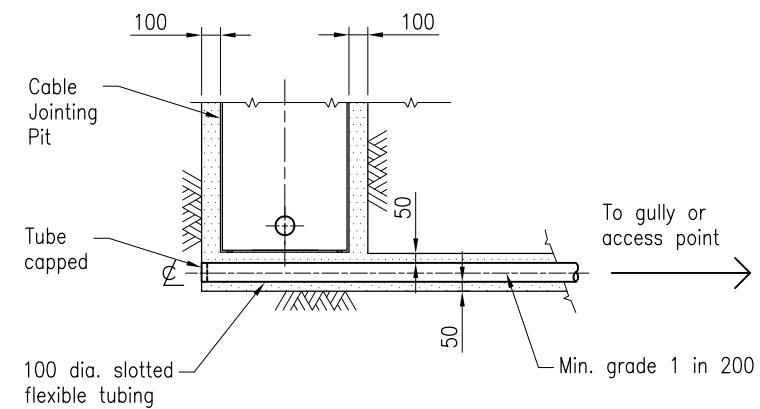


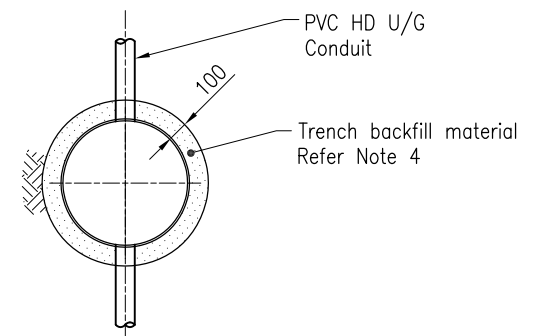
ELEVATION TYPE A



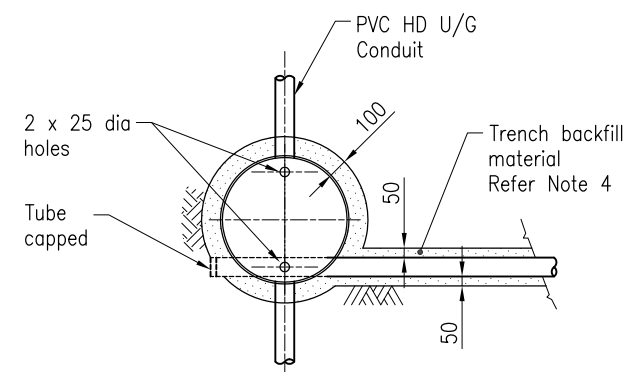
ELEVATION TYPE C



ELEVATION TYPE B



PLAN TYPE C



PLAN TYPE A and B

NOTES:

1. If sufficient fall cannot be obtained to drain the pit system through the flexible tubing, the flexible tubing may be installed in the side of the pit. Secure vermin proofing to be provided to outlet in this case.
2. These details also apply to rectangular pits.
3. Pit drawings to be in accordance with project specific requirements.
4. Trench backfill material as for subsoil drains Types B or D. Refer MRTS03
5. Dimensions are in millimetres unless shown otherwise.

ASSOCIATED DEPARTMENTAL DOCUMENTS:

Standard Drawings
Specifications

REFERENCED DOCUMENTS:

Departmental Specifications:
MRTS03 Drainage, Retaining Structures and Protective Treatment

INSTALLATION OF CONDUITS AND PITS IS THE RESPONSIBILITY OF THE LICENSED ELECTRICAL CONTRACTOR

Department of Transport and Main Roads		 <small>© The State of Queensland (Department of Transport and Main Roads) 2018 http://creativecommons.org/licenses/by/3.0/au </small>	
TRAFFIC SIGNALS/ROAD LIGHTING			
CABLE JOINTING PIT DRAINAGE DETAILS		A3	Standard Drawing No
		Not to Scale	1314
			Date 7/18
		8	H