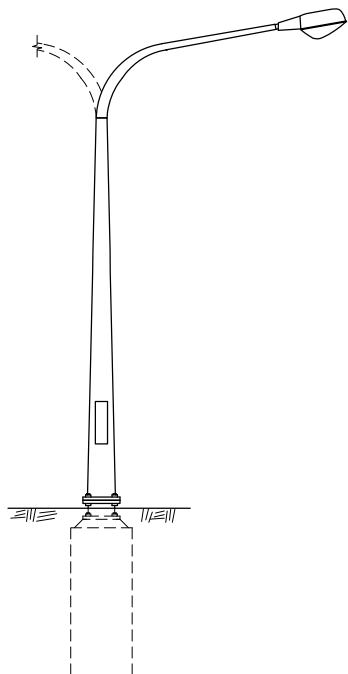
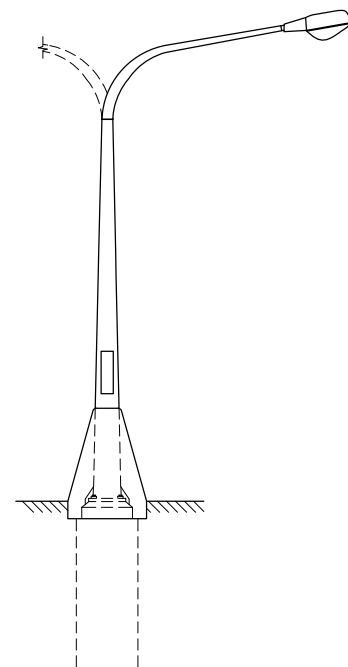


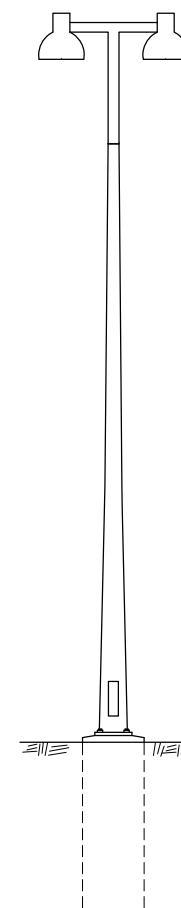
ROAD LIGHTING
BASE PLATE MOUNTED POLE
Refer Standard Drawing 1371



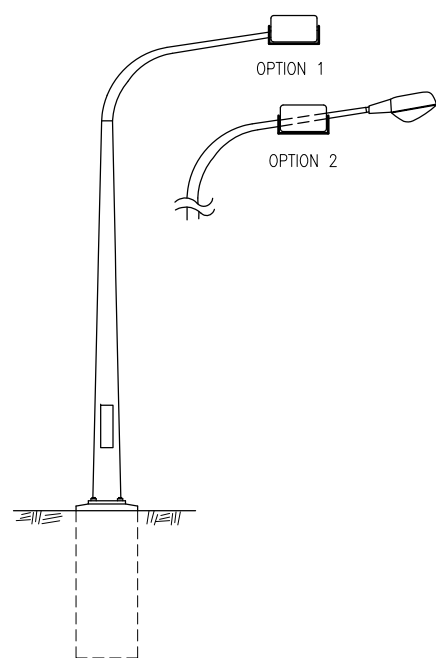
ROAD LIGHTING
SLIP BASE POLE
Refer Standard Drawing 1372



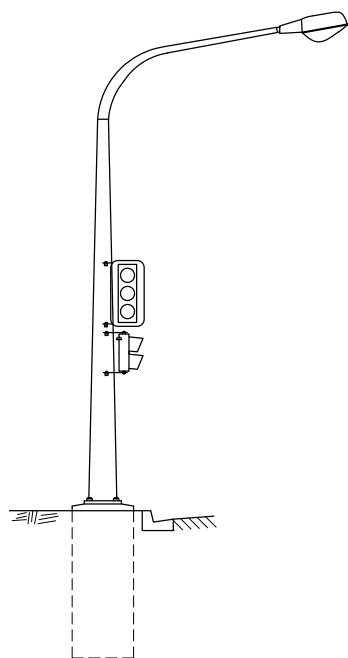
ROAD LIGHTING
BASE PLATE MOUNTED POLE
IN CONCRETE MEDIAN BARRIER
Refer Standard Drawing 1373



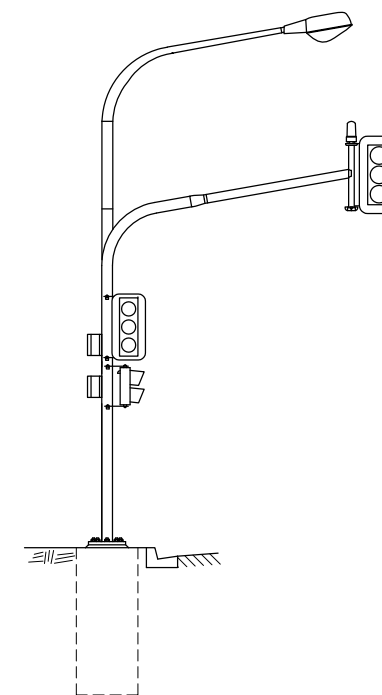
ROAD LIGHTING
HIGH MAST POLE
Refer Standard Drawing 1375



ROAD LIGHTING
BASE PLATE MOUNTED POLE
WITH PEDESTRIAN CROSSING
FLOODLIGHT
Refer Standard Drawing 1376



JOINT USE TRAFFIC SIGNAL
AND ROAD LIGHTING POLE
Refer Standard Drawing 1377



COMBINATION TRAFFIC SIGNAL
MAST ARM AND
ROAD LIGHTING POLE
Refer Standard Drawing 1427



NOTES:

ASSOCIATED DEPARTMENTAL DOCUMENTS:
Standard Drawings
Specifications

REFERENCED DOCUMENTS:
Departmental Standard Drawings:
1371 Road Lighting – Base Plate Mounted Pole
1372 Road Lighting – Slip Base Pole
1373 Road Lighting – Base Plate Mounted Pole in Concrete Median Barrier
1375 Road Lighting – High Mast Pole
1376 Road Lighting – Base Plate Mounted Pole with Pedestrian Crossing Floodlight
1377 Traffic Signals/Road Lighting – Joint Use Traffic Signal and Road Lighting Pole
1420 Traffic Signals – General Arrangements
1427 Traffic Signals/Road Lighting–Mast Arm (U Series) Installation Details

Departmental Specifications:
MRTS93 Traffic Signals
MRTS94 Road Lighting

Australian Standards:
AS/NZS 3000 Electrical Installations (Wiring Rules)

Department of Transport and Main Roads		 <small>© The State of Queensland (Department of Transport and Main Roads) 2015 http://creativecommons.org/licenses/by/3.0/au</small>	
ROAD LIGHTING			
GENERAL ARRANGEMENTS	A3	Standard Drawing No	
	Not to Scale	1370	
		Date 4/15	
A	B	C	E