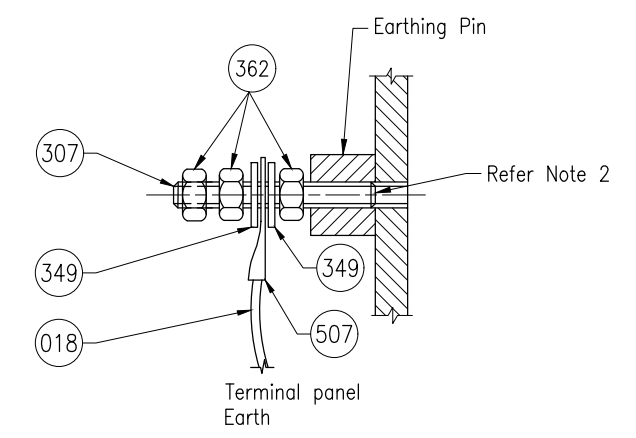
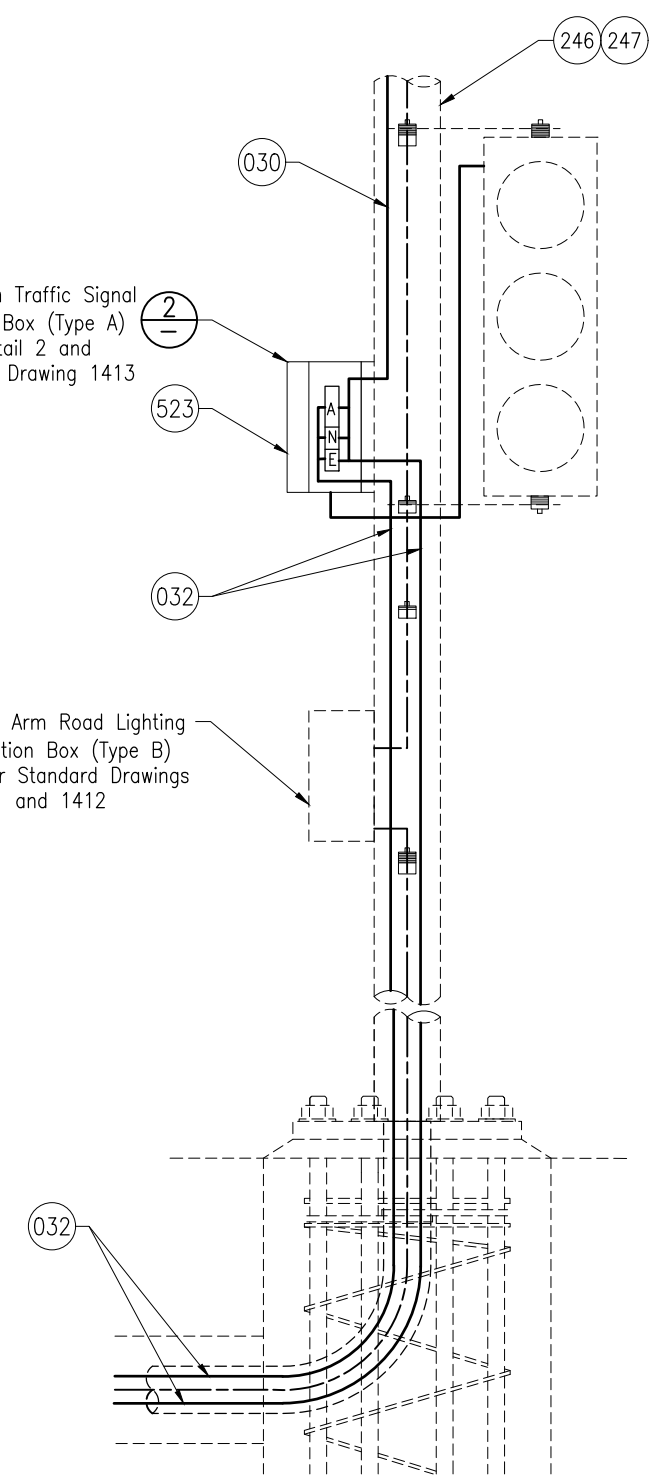


Mast Arm Traffic Signal Junction Box (Type A)  
Refer Detail 2 and Standard Drawing 1413

Mast Arm Road Lighting Junction Box (Type B)  
Refer Standard Drawings 1411 and 1412



**DETAIL 1**  
ASSEMBLY SEQUENCE FOR  
TERMINAL PANEL EARTH  
Refer Notes 1 and 3

**NOTES:**

1. Ensure earth connection is properly tightened before installing traffic signal terminal panel junction box.
2. Approximately 20mm length of booker rod should be screwed into the Mast Arm Earthing Pin.
3. Parts included with 523.
4. Refer project specific drawings for signal group and pushbutton allocations.

**ASSOCIATED DEPARTMENTAL DOCUMENTS:**

Standard Drawings  
Specifications

**REFERENCED DOCUMENTS:**

- Departmental Standard Drawings:
- 1411 Road Lighting – Mast Arm Road Lighting Junction Box (Type B)
  - 1412 Road Lighting – Mast Arm Road Lighting Junction (Type B) Wiring Details
  - 1413 Traffic Signals – Mast Arm Traffic Signal Junction Box (Type A)
  - 1670 Traffic Signals – Traffic Signal Wiring Connections
  - 1699 Traffic Signals/Road Lighting/ITS – Parts List

**Departmental Specifications:**

MRTS93 Traffic Signals  
MRTS228 Provision of Electrical Switchboards

**Australian Standards:**

- AS/NZS 2276.1 Cables for Traffic Signals installations – Multicore Power Cables
- AS/NZS 3000 Electrical Installations (Wiring Rules)

Department of Transport and Main Roads			
TRAFFIC SIGNALS			
MAST ARM TRAFFIC SIGNAL JUNCTION BOX (TYPE A) WIRING DETAILS		A3	Standard Drawing No <b>1414</b>
		Not to Scale	Date 3/2020
A	B	C	D
E	F	G	