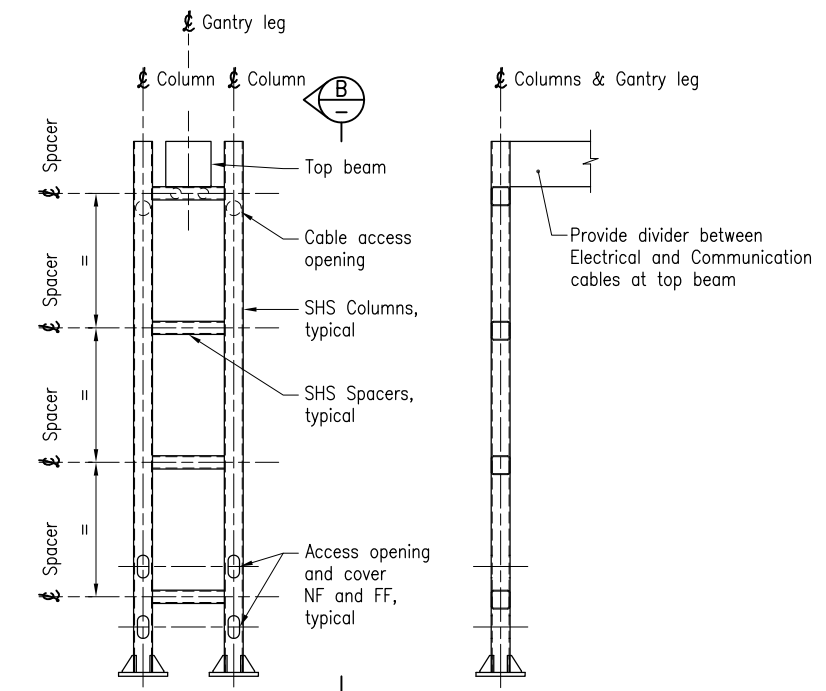
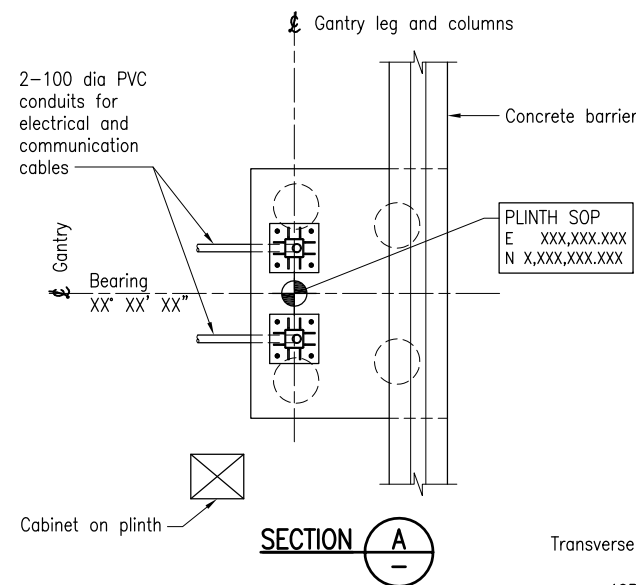


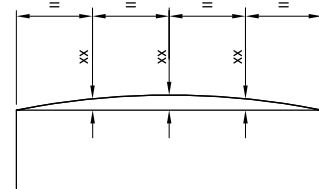
ELEVATION
TYPICAL ARRANGEMENT



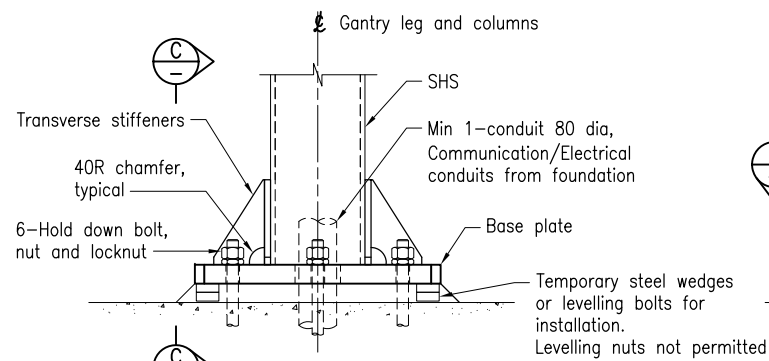
ELEVATION
COLUMN DETAIL



SECTION A

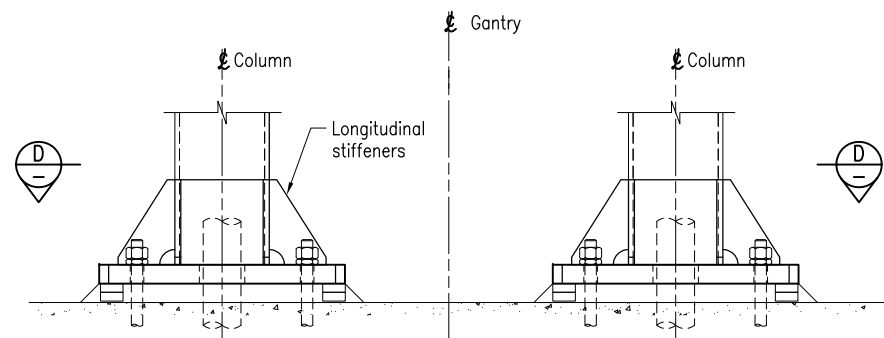


PRE-CAMBER DIAGRAM

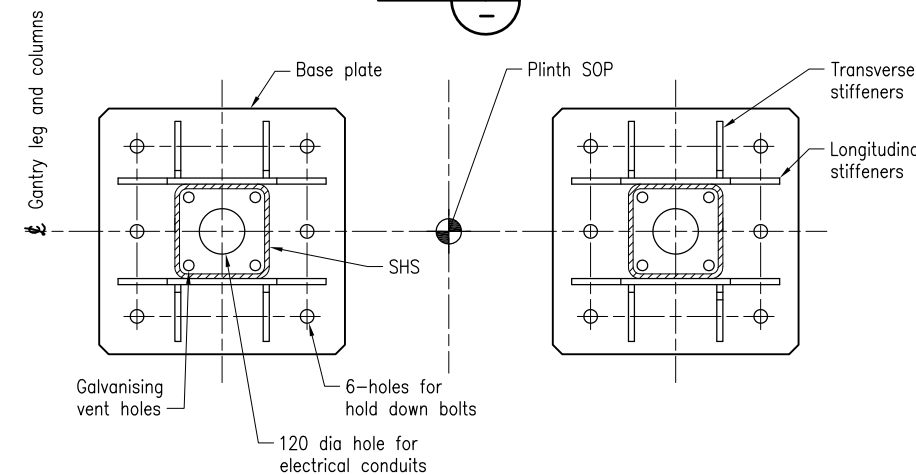


DETAIL 1

TYPICAL COLUMN BASE PLATE



VIEW C



SECTION D

NOTES:

1. Design life, design loadings, durability requirements, serviceability requirements, load combinations, Gantry protection barrier types etc. shall be in accordance with TMR "Design Criteria for Bridges and Other Structures".
2. Standard notes shall be in accordance with the relevant Notes from TMR "Structural Drafting Standards".
3. Signs shall be capable of being unplugged and replaced within 5 minutes for each sign.
4. Maximum permitted tolerance for sign offset from centre of lane according to Design Guide for Roadside Signs.

Department of Transport and Main Roads		 <small>© The State of Queensland (Department of Transport and Main Roads) 2018 http://creativecommons.org/licenses/by/3.0/au</small>	
ITS GANTRIES			
LANE CONTROL/ VARIABLE SPEED LIMIT SIGNS - WITHOUT MAINTENANCE PLATFORM		A3 Not to Scale	Standard Drawing No 1573 Date 3/18
A	B		