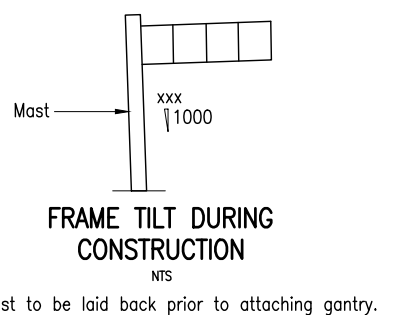
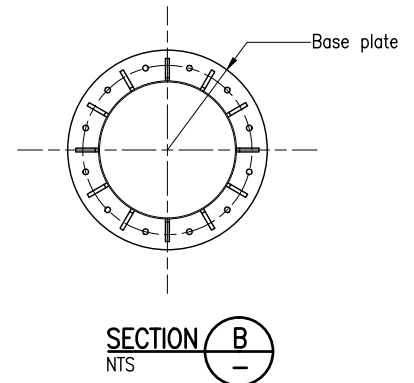
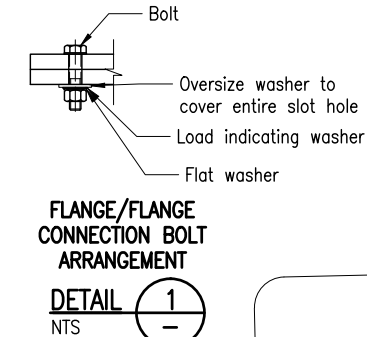
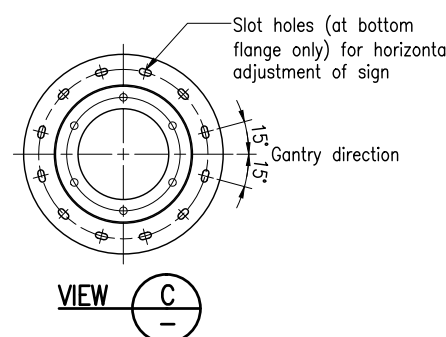
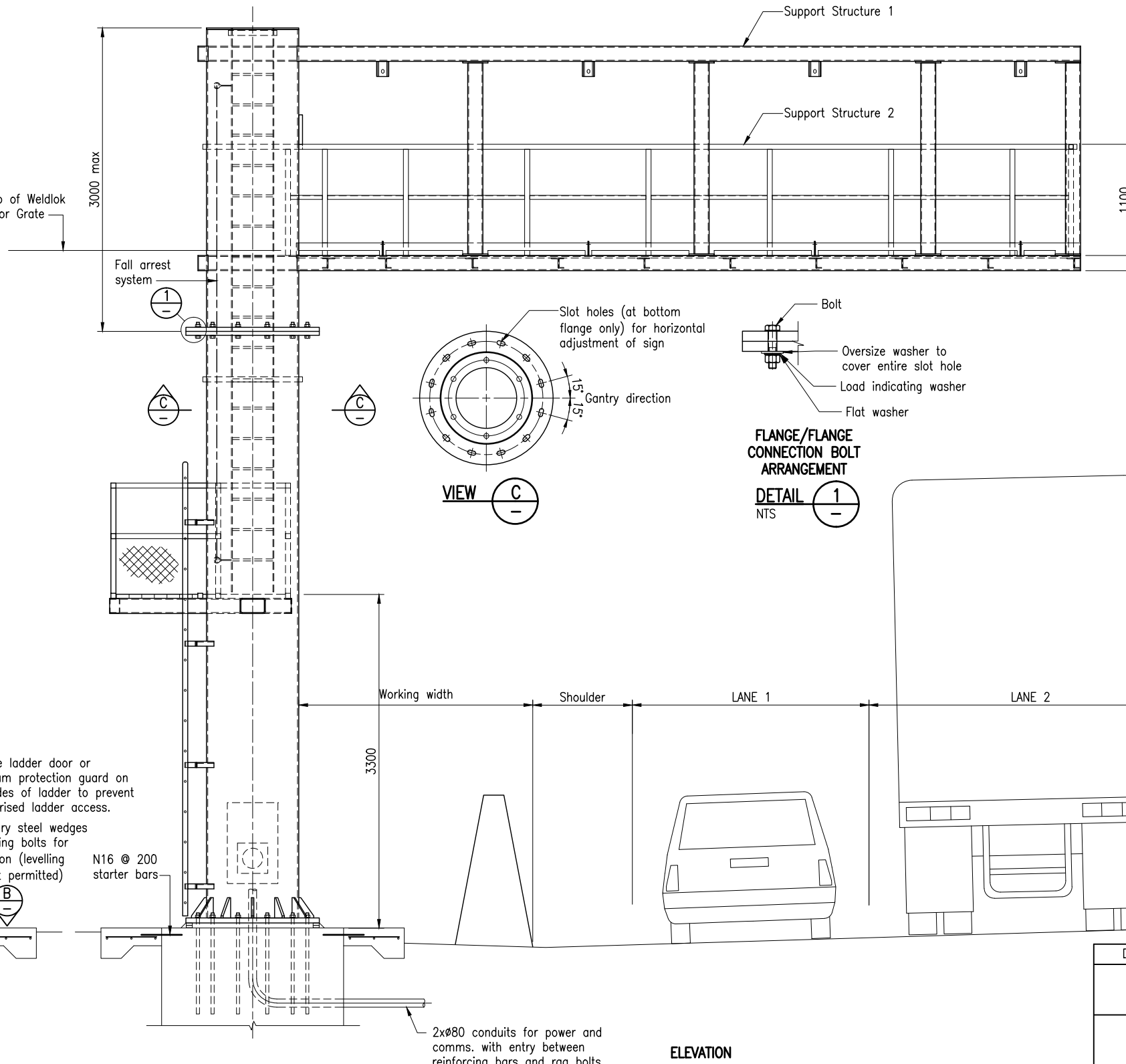
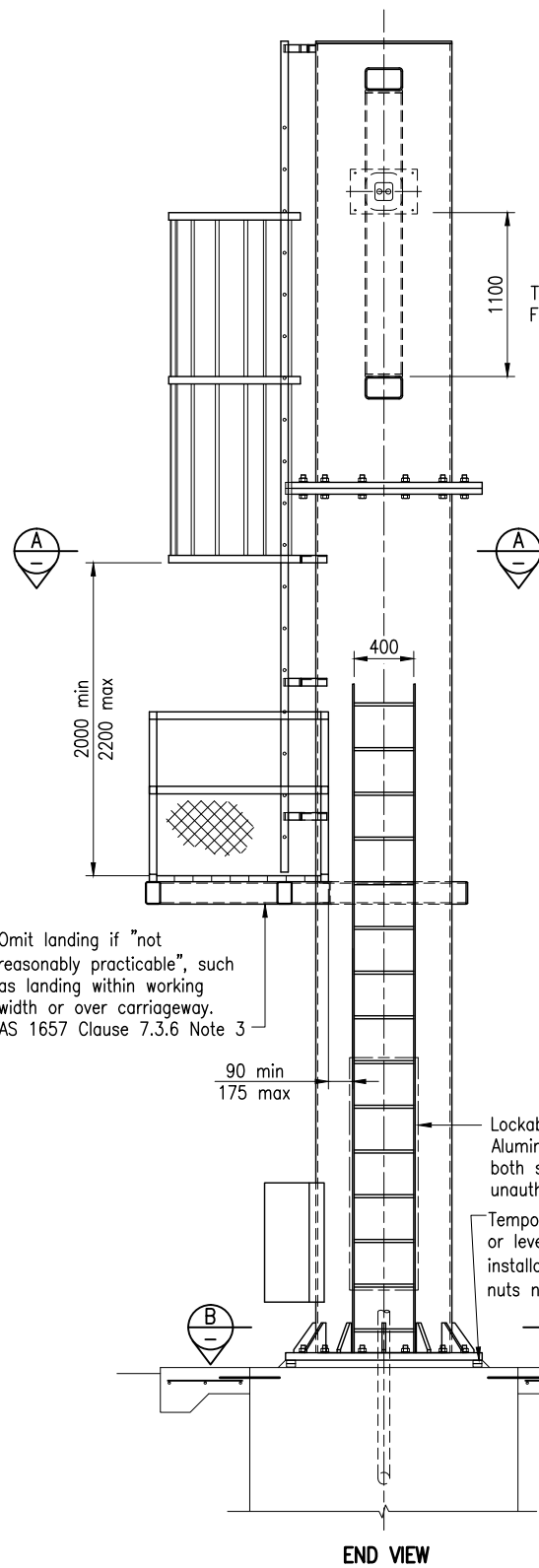
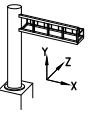


NOTES:

- Ladder to be used only by trained personnel having approved fall arrest system.
- Minimum fall arrest system requirement is double lanyard and full body harness.
- Sign to be fixed to ladder indicating this requirement.
- Design life, design loadings, durability requirements, serviceability requirements, load combinations, maintenance platform requirements, fall arrester system, Gantry protection barrier etc. shall be in accordance with TMR "Design Criteria for Bridges and Other Structures".
- Standard notes shall be in accordance with the relevant Notes from TMR "Structural Drafting Standards".
- Loading

- Base Plate loads
 - Mux (kNm) = xxx
 - Muz (kNm) = xxx
 - Torsion (kNm) = xxx
 - Axial (kNm) = xxx
 - Shear (kNm) = xxx
- Gantry Deflections (mm)

	Horizontal	Vertical
DL only	-	xxx
LL only	-	xxx
WL+DL	xxx	xxx



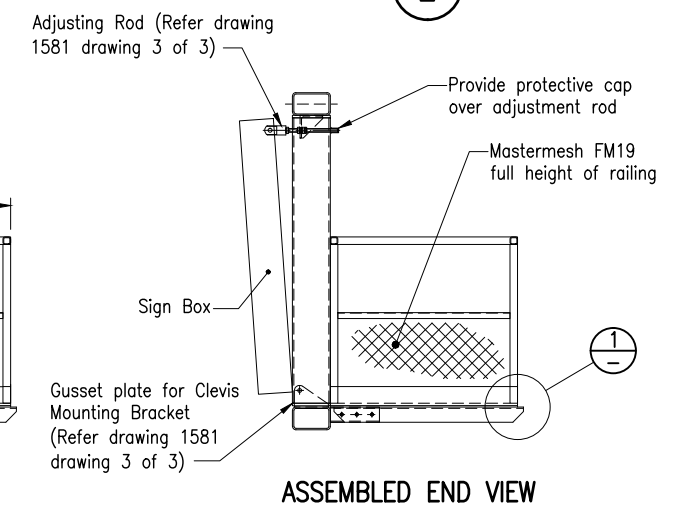
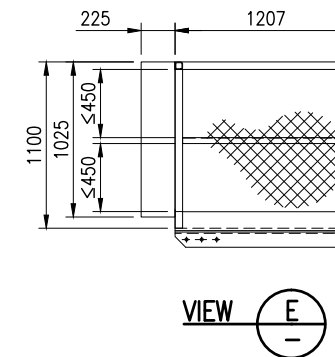
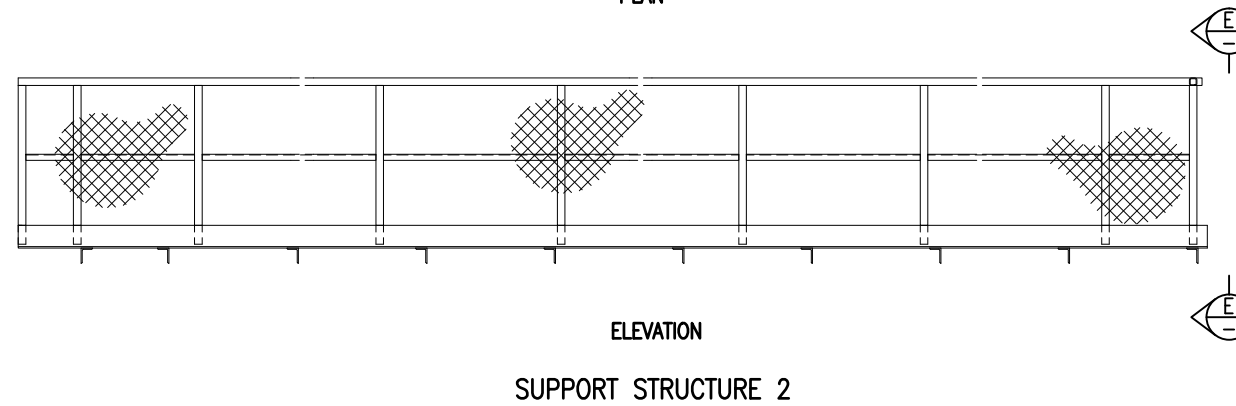
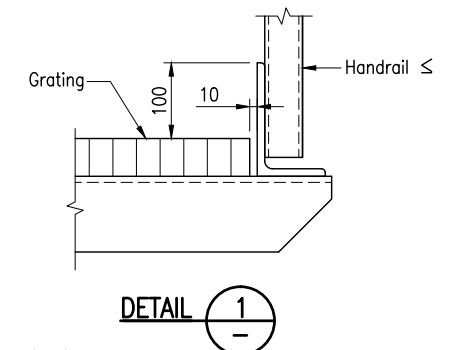
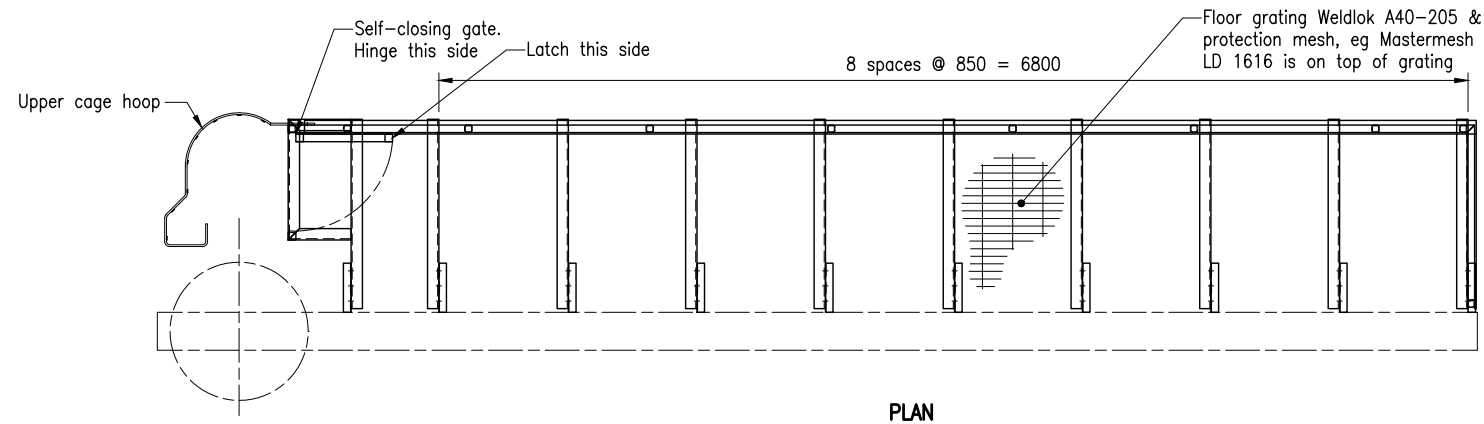
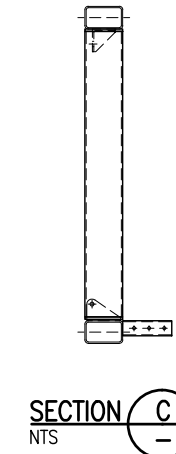
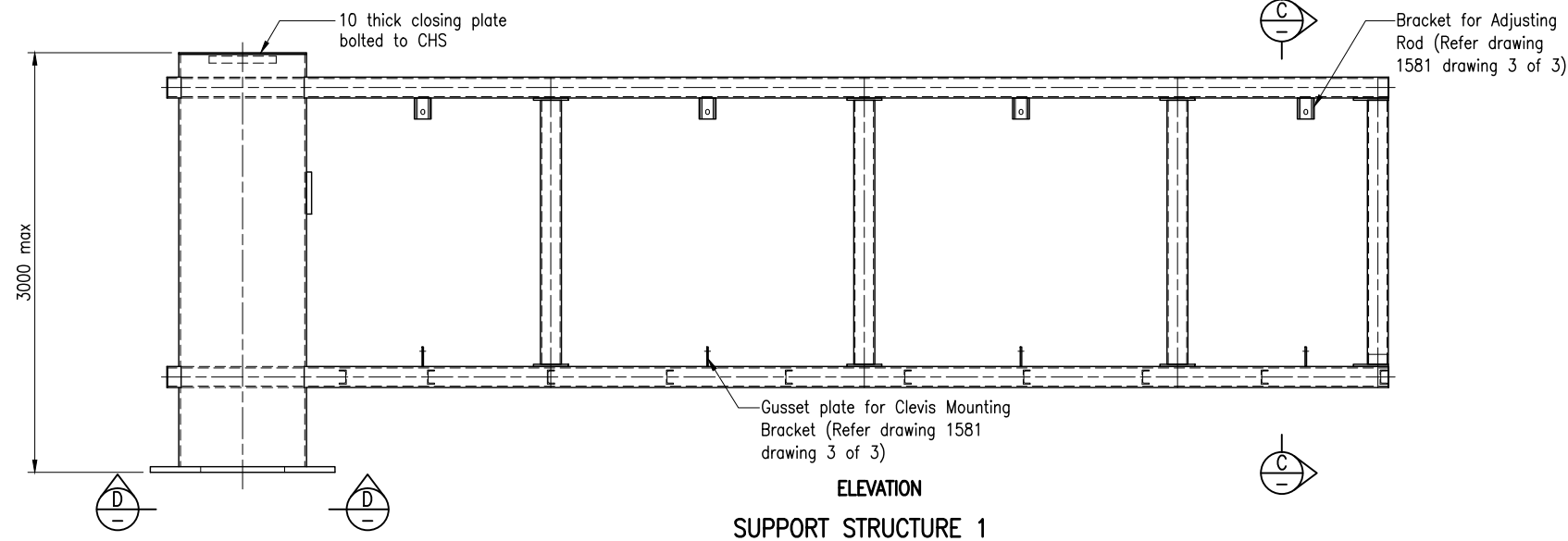
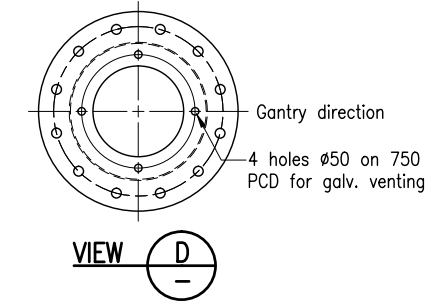
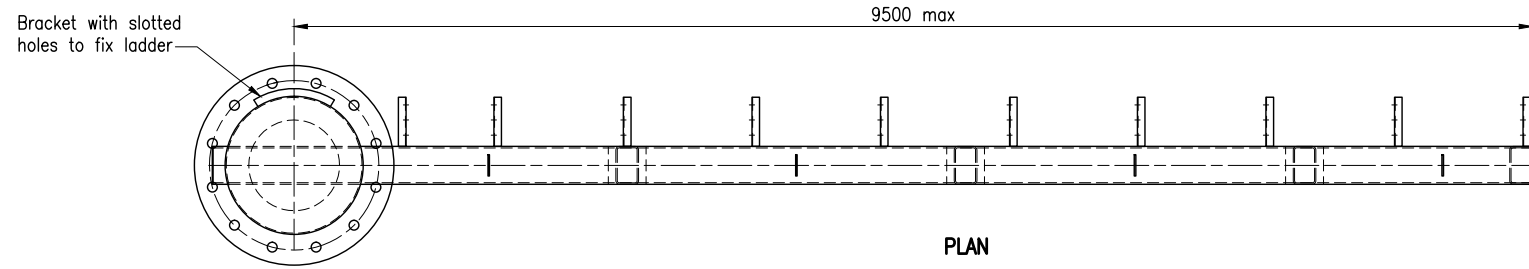
Omit landing if "not reasonably practicable", such as landing within working width or over carriageway. AS 1657 Clause 7.3.6 Note 3

Lockable ladder door or Aluminium protection guard on both sides of ladder to prevent unauthorised ladder access.
Temporary steel wedges or levelling bolts for installation (levelling nuts not permitted)

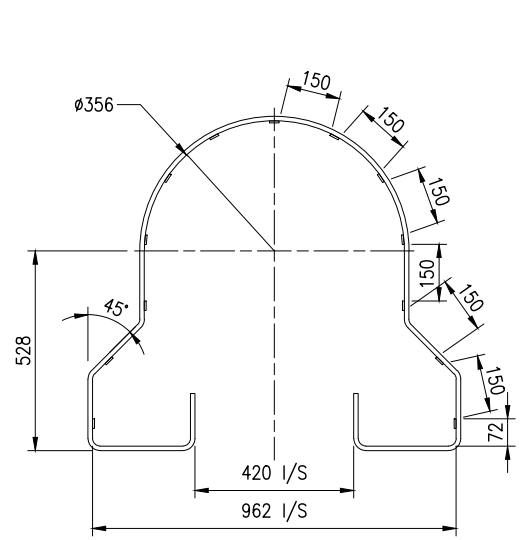
N16 @ 200 starter bars

2xØ80 conduits for power and comms. with entry between reinforcing bars and rag bolts. Pit located by others not within slab or foundation area.

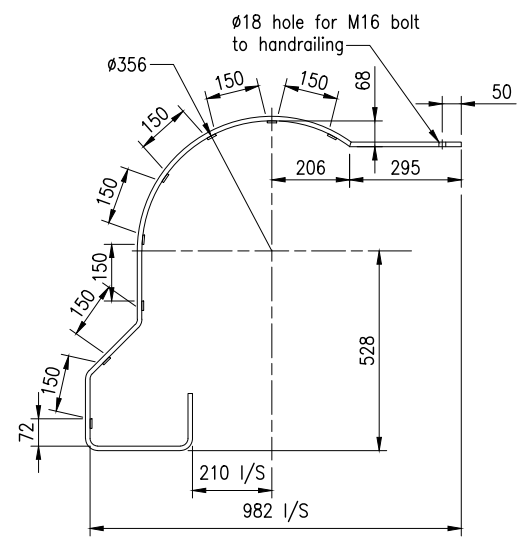
Department of Transport and Main Roads			
ITS - CANTILEVER			
CANTILEVER STRUCTURE		A3	Standard Drawing No
DRAWING 1 OF 3		Not to Scale	1581
		A	Date 8/14



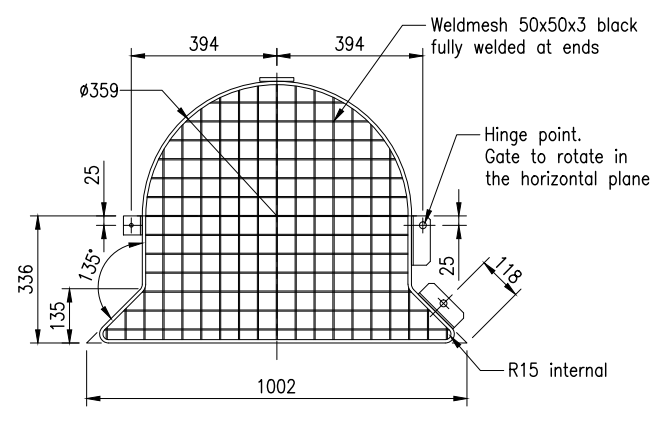
Department of Transport and Main Roads			 <small>© The State of Queensland (Department of Transport and Main Roads) 2014 http://creativecommons.org/licenses/by/3.0/au </small>
ITS - CANTILEVER			
CANTILEVER STRUCTURE		A3	Standard Drawing No
DRAWING 2 OF 3		Not to Scale	1581
		A	Date 8/14



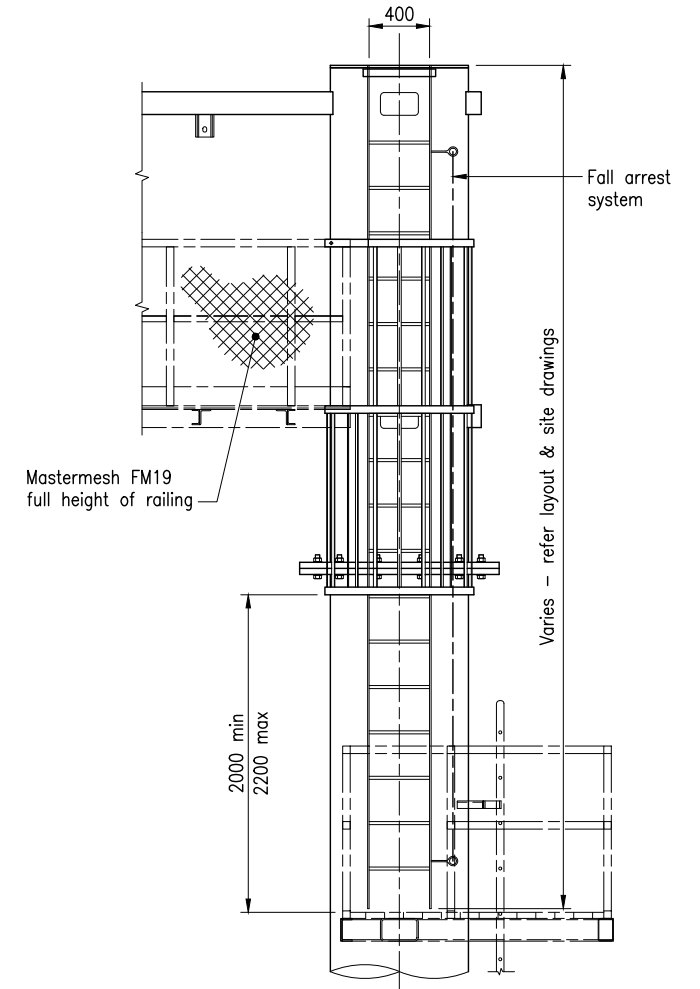
LOWER CAGE HOOP



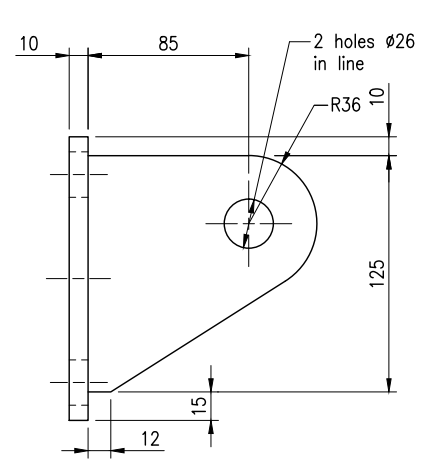
UPPER CAGE HOOP



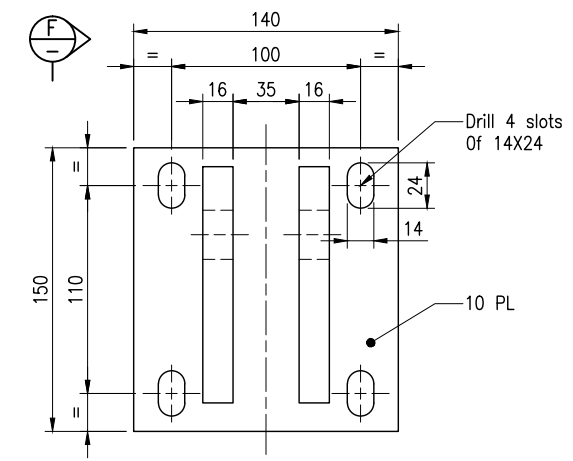
CAGE GUARD



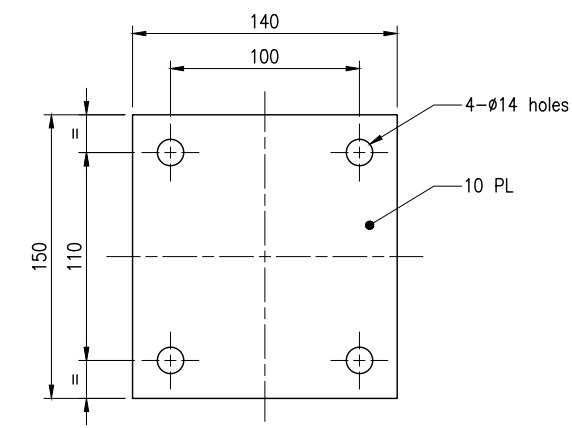
UPPER LADDER - GANTRY REAR



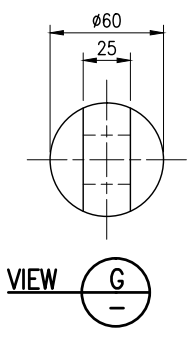
VIEW F



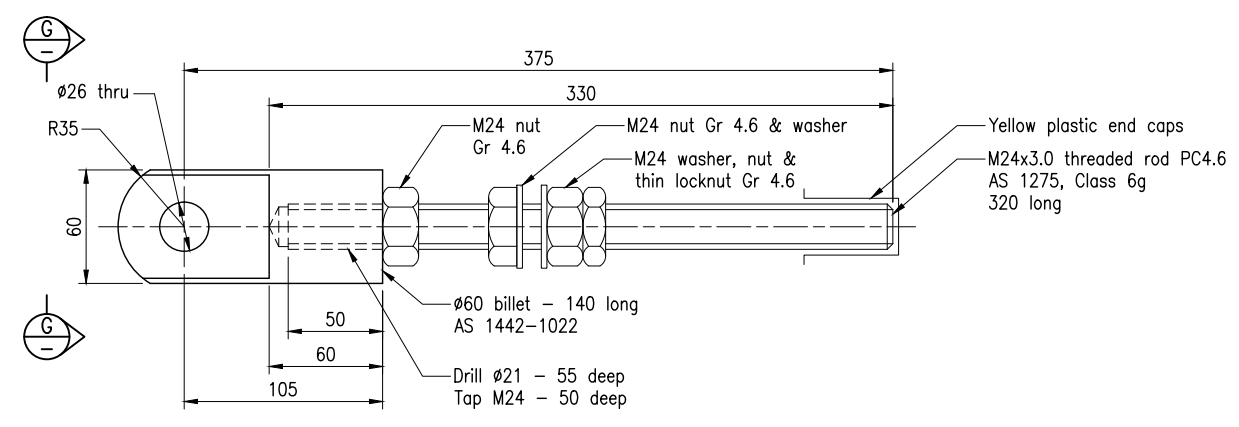
CLEVIS MOUNTING BRACKET *



CLEVIS BRACKET BACKING PLATE *



VIEW G



ADJUSTING ROD *

* The adjusting Rods and Mounting Brackets are fixed to the rear of the sign box. The sign box is attached to the cantilever support structure by these rods and brackets at the locations as shown on drawing 1581 drawing 2 of 3.

Department of Transport and Main Roads			
ITS - CANTILEVER			
CANTILEVER STRUCTURE DRAWING 3 OF 3		A3 Not to Scale A	Standard Drawing No 1581 Date 8/14