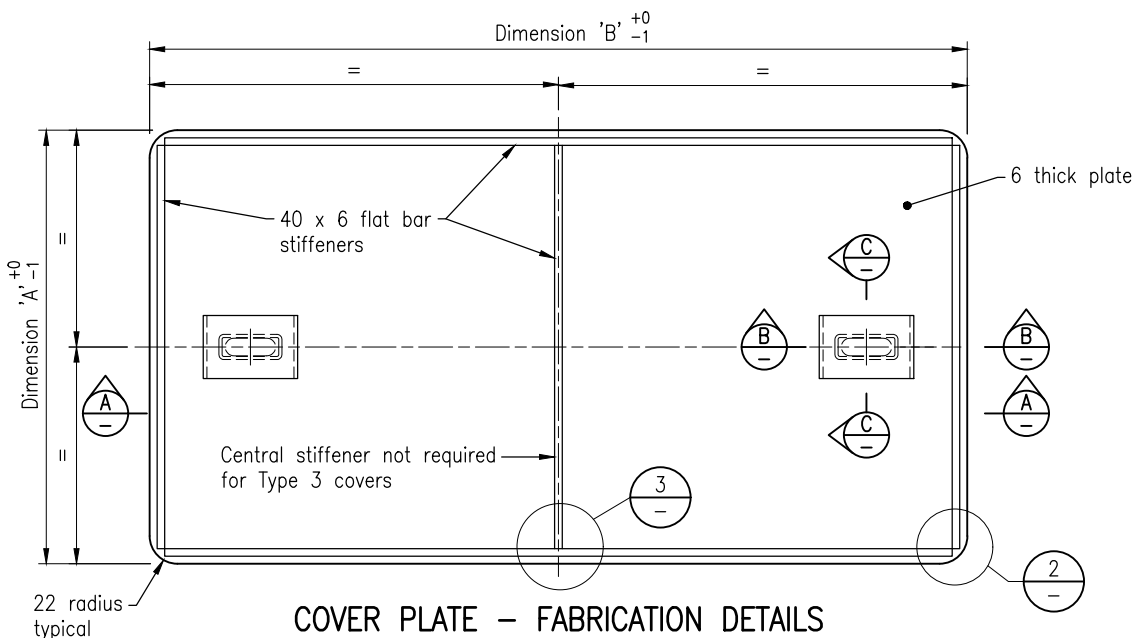


COVER PLATE ASSEMBLY (TOPSIDE VIEW)

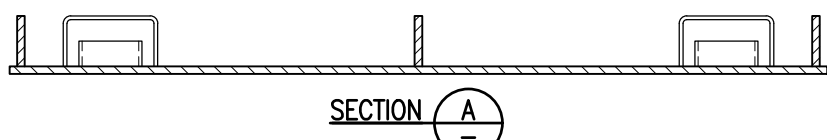
Aluminium text plate location (if required). Offset from centre slightly to avoid stiffeners. Attach using 3.2 dia. aluminium alloy pop rivets open type steel mandrel dome head (drill 3.3).

Apply coating to aluminium text plate and top surface of cover. Refer Notes 10 and 11.

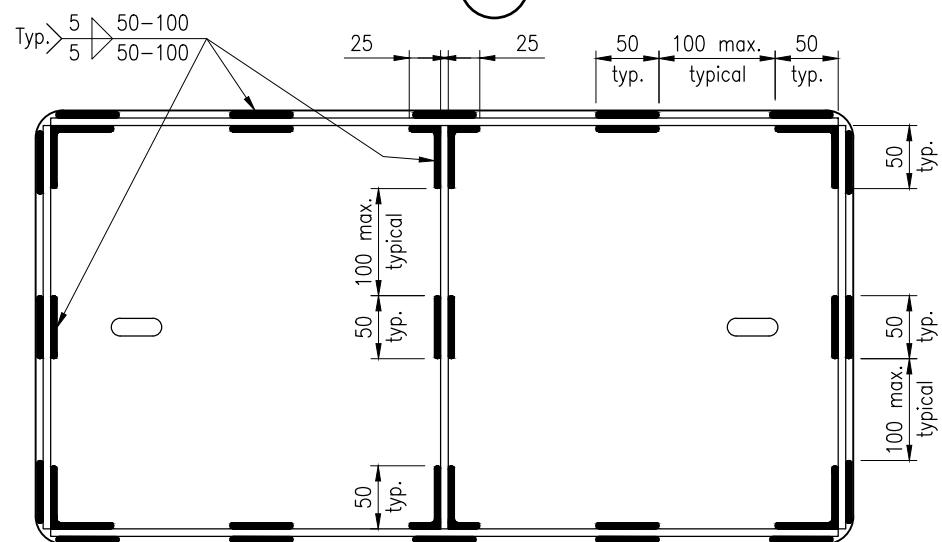
Lifting hole NB. One hole only required for Type 3 covers centrally located.



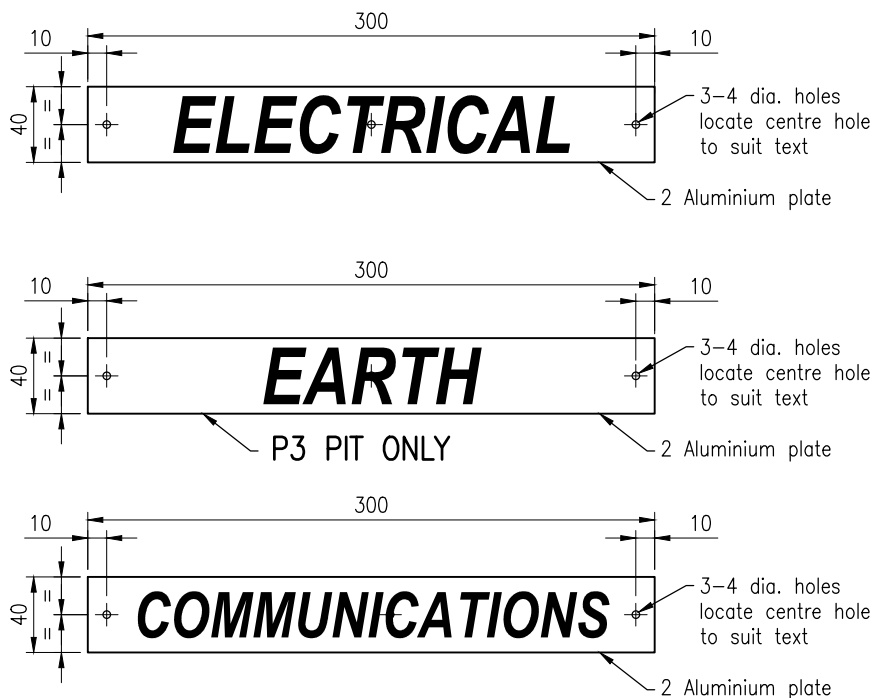
COVER PLATE - FABRICATION DETAILS (UNDERSIDE VIEW)



SECTION A

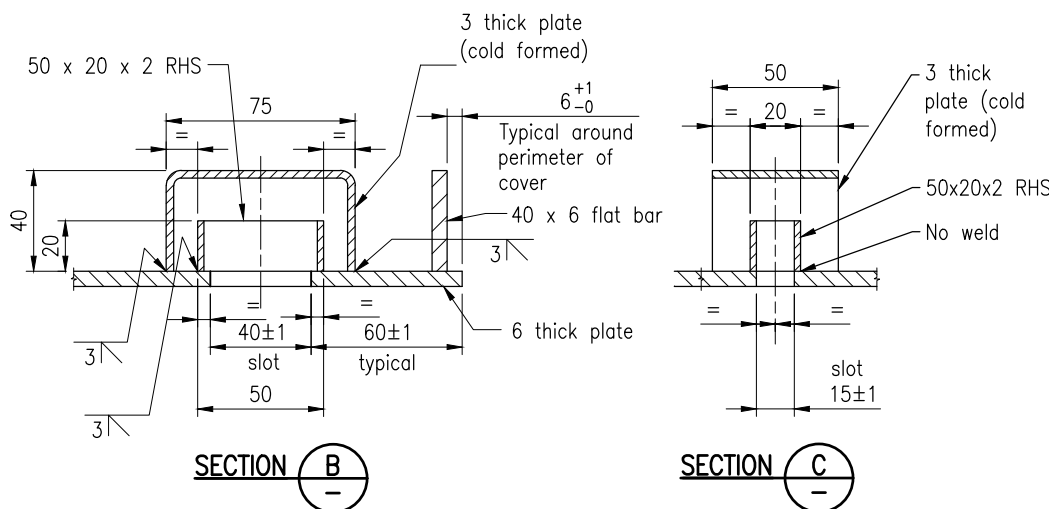


WELDING DETAILS FOR STIFFENERS TO COVER PLATE



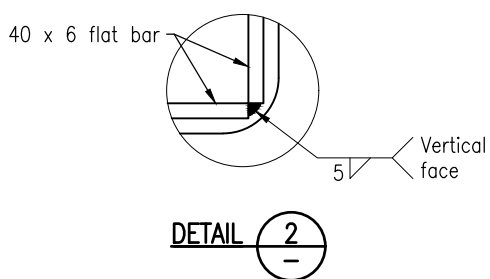
ALUMINIUM TEXT PLATE DETAILS

Letters to be stamped/laser cut through plate to requirements of Note 11

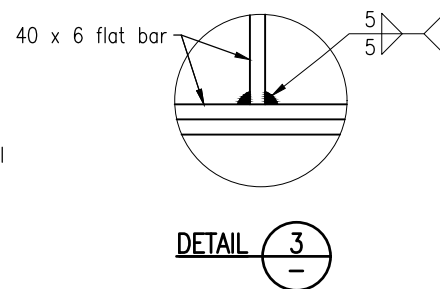


COVER PLATE DIMENSIONS

Pit Type	Dim. 'A'	Dim. 'B'
3	269	494
4	344	644



DETAIL 2



DETAIL 3

NOTE: Cable Joining Pit types 3 and 4 require 1 Cover per Pit

The purpose of this drawing is to provide typical standard details. The fitness for purpose of this drawing for a specific project to be determined and certified by a RPEQ engineer. Project specific details may be required to be included in the scheme drawings.

NOTES:

- Rectangular cover is for rectangular pits that meet the requirements of MRTS91.
- Design criteria
 - Rectangular cover to meet AS 3996 Class B design load and the requirements of MRTS91.
- Cover is not be used in roadways.
- Total cover lifting mass to be less than 25kg.
- Materials:
 - Plates to be Grade 250 to AS/NZS 3678.
 - Flat bar to be Grade 300 to AS/NZS 3679.1
 - RHS to be Grade 350LO to AS/NZS 1163.
- Welding:
 - Welding symbols are to AS/NZS 1101.3.
 - Welding to conform to AS/NZS 1554.1.
 - Welds to be SP category.
 - Welding consumables to be controlled hydrogen type: G493 to AS/NZS ISO 14341-B or T493 to AS/NZS ISO 17632-B unless shown otherwise.
- All edges are to be smooth.
- Steelwork to have weld splatter and welding slag removed prior to hot dip galvanising to AS/NZS 4680.
- Steelwork to be fabricated to the requirements of MRTS78.
- A non-slip, non-conductive coating is to be applied to the top surface of the cover. This is to ensure the coating is not damaged if cover is dropped on edge. Coating to meet requirements of MRTS91. This coating is to also cover the aluminium text plate.
- Marking of covers:

Covers to be marked with letters "ELECTRICAL", "EARTH" or "COMMUNICATIONS" as ordered. Text to be in uppercase Arial font or similar and have a minimum height of 30mm for "ELECTRICAL" and "EARTH" and 20mm for "COMMUNICATIONS". The markings to be undertaken by engraving into the coating to a depth of 2mm (if facilitated by the coating) or by fastening and then coating an aluminium text plate (refer to detail).

A permanent identifying label is to be attached to the underside of each cover and to state "[Manufacturer's Name]", "Date of Manufacture [month/year]" and "[Weight of product in kg]".

An additional permanent identifying label is to be attached to the underside of each cover and to state "[Name of Coating Supplier]". Self adhesive stick on labels are not to be used as the permanent identifying labels. Use of steel or aluminium labels riveted to middle structural support is acceptable.
- Dimensions are in millimetres unless shown otherwise.

ASSOCIATED DEPARTMENTAL DOCUMENTS:
Standard Drawings Specifications

REFERENCED DOCUMENTS:
Departmental Specifications:
MRTS78 Fabrication of Structural Steelwork
MRTS91 Conduits and Pits

Australian Standards:
AS/NZS 1101.3 Graphical symbols for general engineering - Welding and non-destructive examination
AS/NZS 1163 Cold-formed structural steel hollow sections
AS/NZS 1554.1 Structural steel welding - Welding of steel structures
AS/NZS 3678 Structural steel - Hot rolled plates, floor plates and slabs
AS/NZS 3679.1 Structural steel - Hot rolled bars and sections
AS 3996 Access covers and grates
AS/NZS 4680 Hot dip galvanized (zinc) coatings on fabricated ferrous articles
AS/NZS 14341 Welding Consumables - Wire Electrodes and Weld Deposits for Gas Shielded Metal Arc Welding of Non alloy and Fine Grain Steels - Classifications
AS/NZS ISO 17632 Welding Consumables - Tubular Cored Electrodes for Gas Shielded and Non-gas Shielded Metal Arc Welding of Non-alloy and Fine Grain Steels - Classification

Department of Transport and Main Roads			
TRAFFIC SIGNALS/ROAD LIGHTING			
CABLE JOINTING PIT COVER TYPES 3 AND 4		A3 Not to Scale	Standard Drawing No 1633 Date 03/2020
A	B	C	D