

NOTES:

1. This drawing complies with the requirements of AS/NZS 3000 clause 1.9.4 compliance by specific design and installation rather than Part 2 deemed to comply. Refer Electrical Design Manual.
2. Rate 2 road lighting to joint use poles and combination mast arms must be used where the local Electricity Entity will supply Rate 2 road lighting.
3. Connection to Electricity Entity Network to be in accordance with local Electricity Entity requirements.
4. Single Phase only shown.
5. Install label inside each door of pole/mast arm.
Label size 120x80, font Arial 22, Permanent black on yellow, Permanent adhesive.
6. Project designers must ensure the specific project design complies with the earth fault loop impedance and disconnect time requirements to minimise the risk of body shock currents.
7. Dimensions are in millimetres unless shown otherwise.

ASSOCIATED DEPARTMENTAL DOCUMENTS:

- Standard Drawings Specifications
- Electrical Design Manual for Roadside Devices Part 3, TRUM Vol 4.

REFERENCED DOCUMENTS:

- Departmental Standard Drawings:
 - 1377 Traffic Signals/Road Lighting – Joint Use Traffic Signal and Road Lighting Pole
 - 1399 Road Lighting – Base Plate Mounted Pole Wiring Details
 - 1408 Traffic Signals – Traffic Signal Terminal Panel for Joint Use Poles Wiring Details
 - 1420 Traffic Signals – General Arrangements
 - 1427 Traffic Signals/Road Lighting – Mast Arm (U Series) Installation Details
 - 1623 Road Lighting – Switchboard Typical Layout and Circuit Diagram MEN System
 - 1624 Road Lighting – Junction Box Single Phase Wiring Details
 - 1625 Road Lighting – Junction Box Three Phase Wiring Details
 - 1626 Road Lighting – Junction Box Active, Neutral and Earth Bolting Arrangements
 - 1670 Traffic Signals – Traffic Signal Wiring Connections

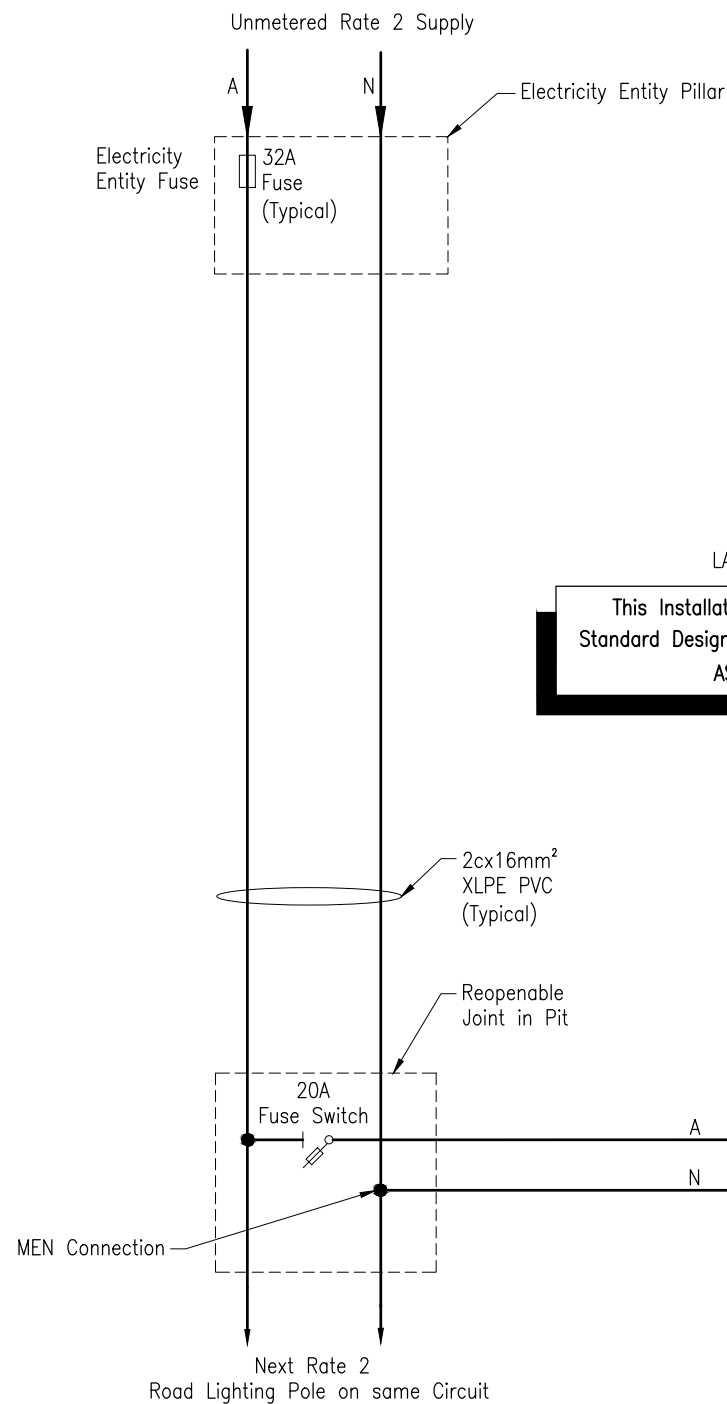
Departmental Specifications:

- MRTS93 Traffic Signals
- MRTS94 Road Lighting
- MRTS228 Electrical Switchboards
- MRTS256 Power Cables

Australian Standards:

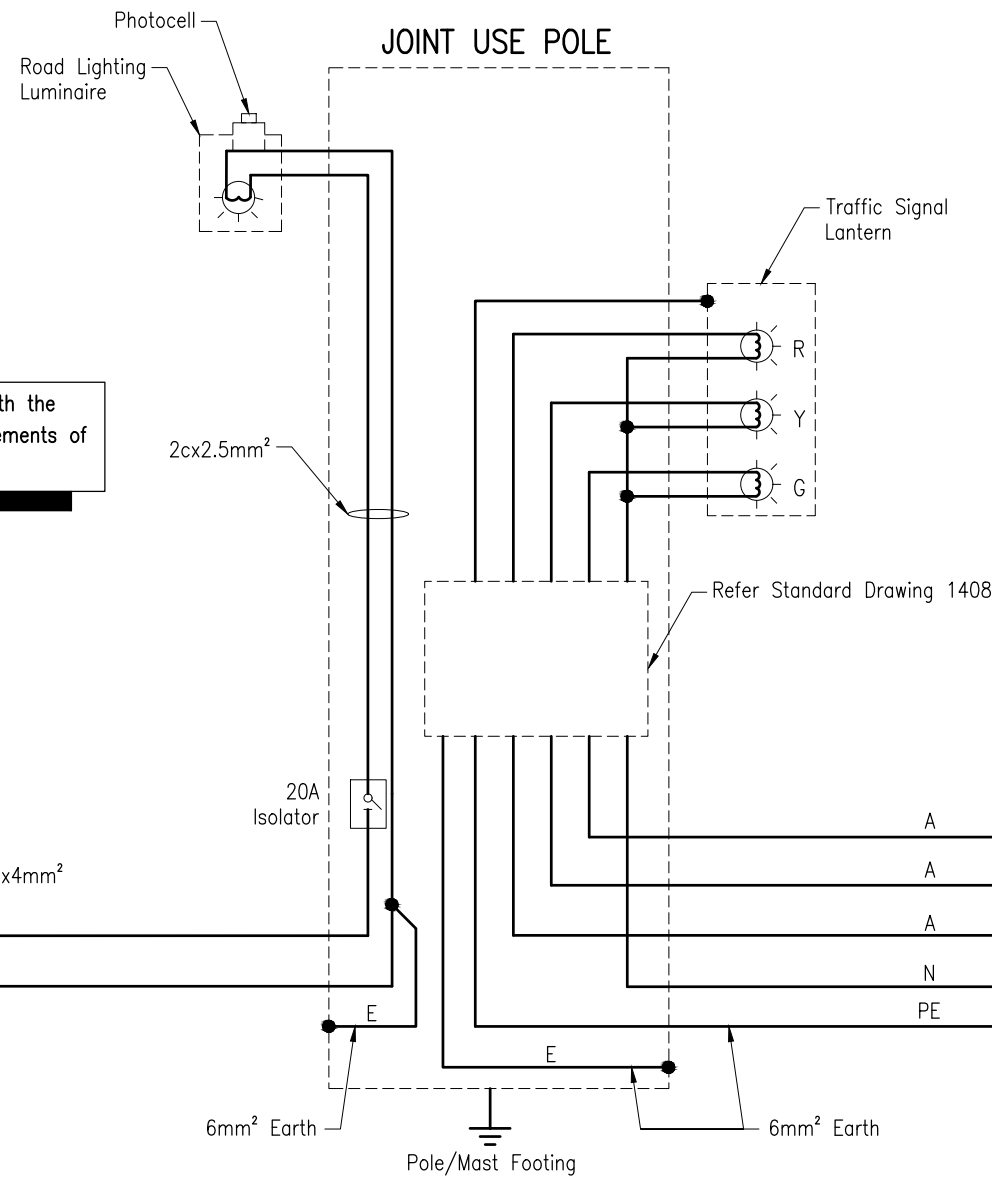
AS/NZS 3000 Electrical Installations (Wiring Rules)

ROAD LIGHTING SUPPLY

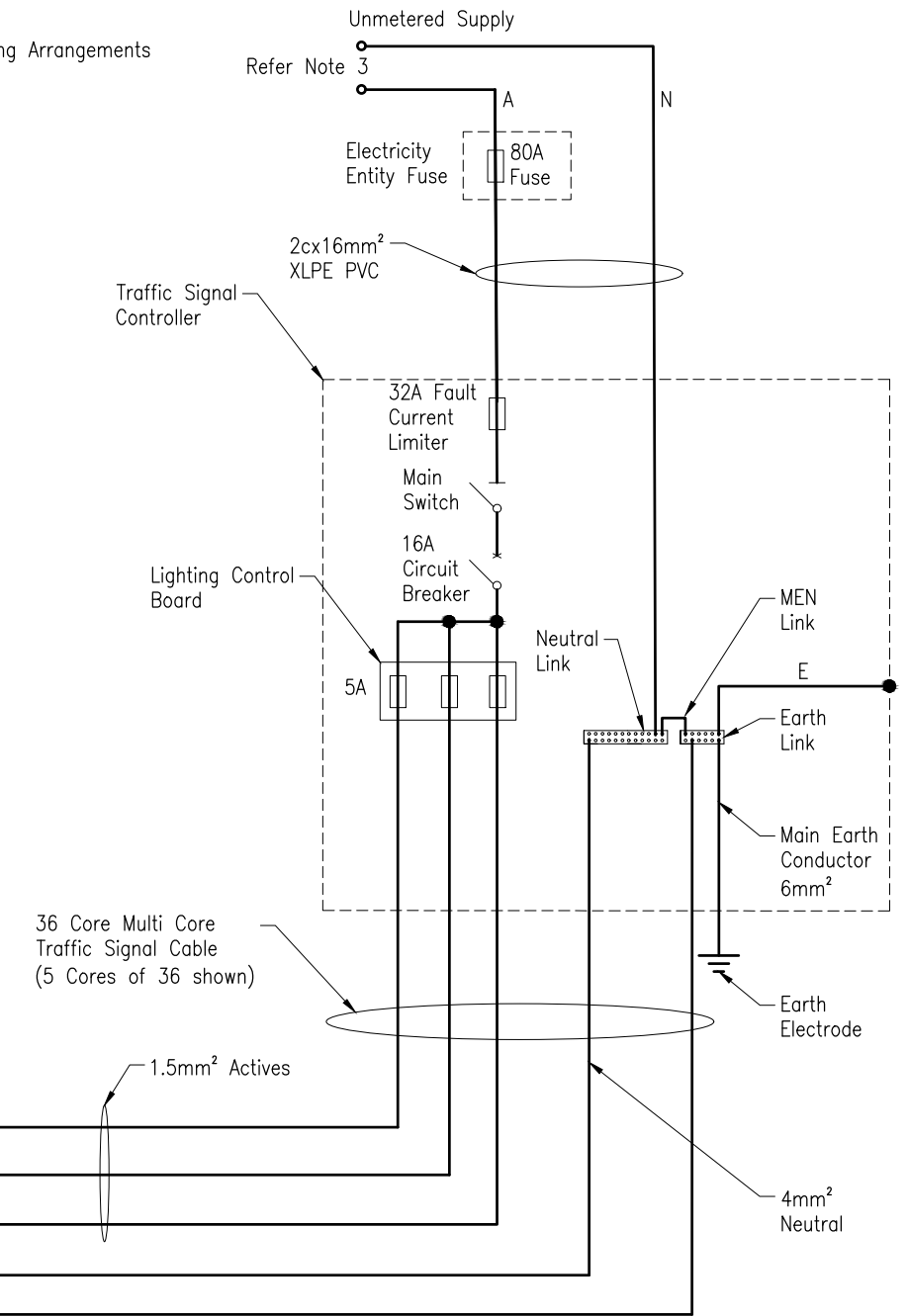


LABEL Refer Note 5
 This Installation is in accordance with the Standard Design that meets the requirements of AS/NZS 3000 Part 1

JOINT USE POLE



TRAFFIC SIGNAL SUPPLY



Department of Transport and Main Roads			
TRAFFIC SIGNALS/ROAD LIGHTING			
JOINT USE POLE ELECTRICAL WIRING SCHEMATIC RATE 2		A3	Standard Drawing No
		Not to Scale	1678
			Date 3/2020
A	B		