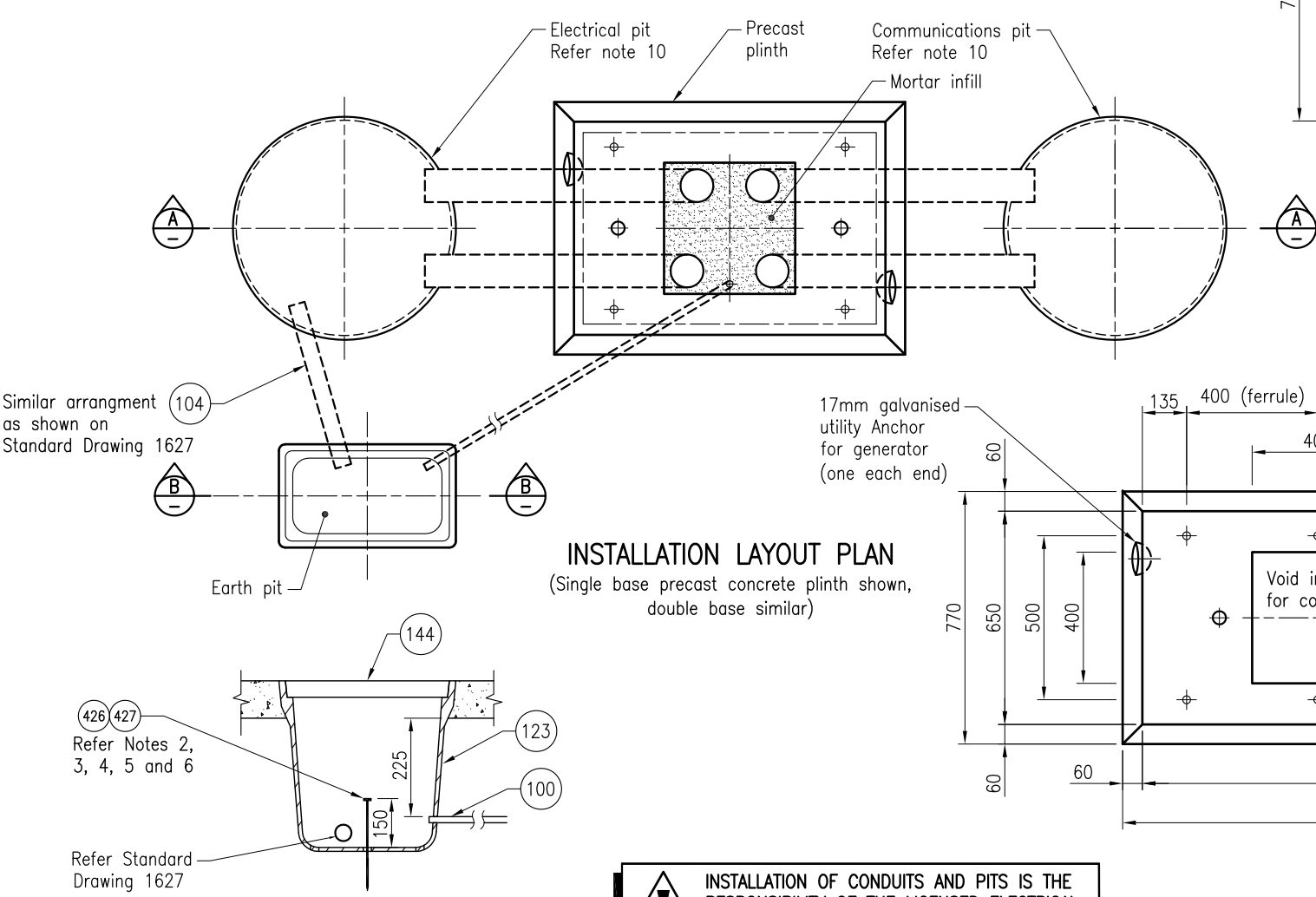


SECTION A

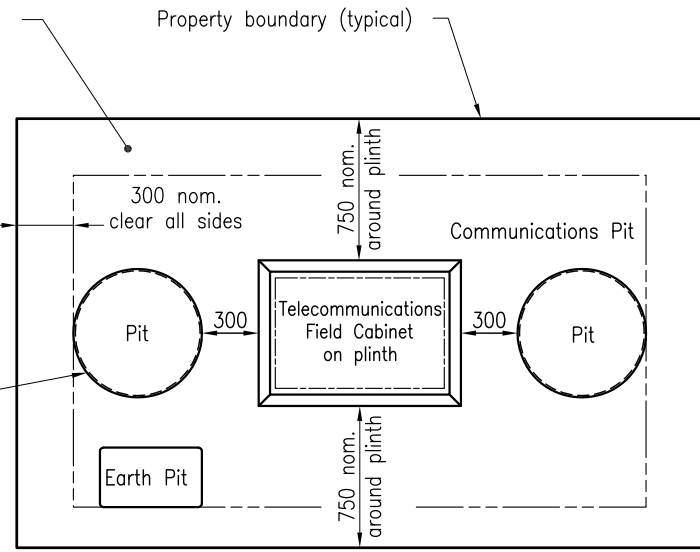


INSTALLATION LAYOUT PLAN
(Single base precast concrete plinth shown, double base similar)

SECTION B
EARTH PIT ELEVATION

INSTALLATION OF CONDUITS AND PITS IS THE RESPONSIBILITY OF THE LICENSED ELECTRICAL CONTRACTOR

150 thick N25/20 concrete slab reinforced with 1 layer of SL62 mesh placed centrally (Refer MRTS70)



DETAIL 2
TYPICAL SLAB LAYOUT

(General arrangement only. Locate equipment to suit)

NOTES:

1. Telecommunications Field Cabinet shall wherever possible be located adjacent to the property boundary.
2. Attach a permanent label to the main earthing conductor at the connection to the earth electrode stating: "WARNING: MAIN ELECTRICAL EARTHING CONDUCTOR - DO NOT DISCONNECT"
3. Ensure there are no underground services in vicinity prior to installing earth electrode.
4. The earth electrode must be driven no less than 1300mm vertically into the ground, leaving a minimum 150mm exposed length of electrode in the base of the pit.
5. In difficult soils, dig out the appropriate P3 pit size, auger a 75mm hole vertically to 1300mm, install the earth electrode in the center of the hole, fill the auger hole with LSI RESLO compound or equal and install the pit over the earth electrode.
6. Only one earth electrode connected to one main earth conductor permitted in one earth pit.
7. Install draw wire in communications conduit.
8. Pits may be located differently in relation to Telecommunications Field Cabinet to suit Mains Power and Communications requirements.
9. All exposed concrete edges to have a 15mm chamfer or fillet.
10. Optional rectangular pit where specified.
11. Attach a permanent label in the switchboard stating: "EARTH ELECTRODE IN ADJACENT EARTH PIT"
12. Dimensions are in millimetres unless shown otherwise.

ASSOCIATED DEPARTMENTAL DOCUMENTS:

- Standard Drawings
- Specifications

REFERENCED DOCUMENTS:

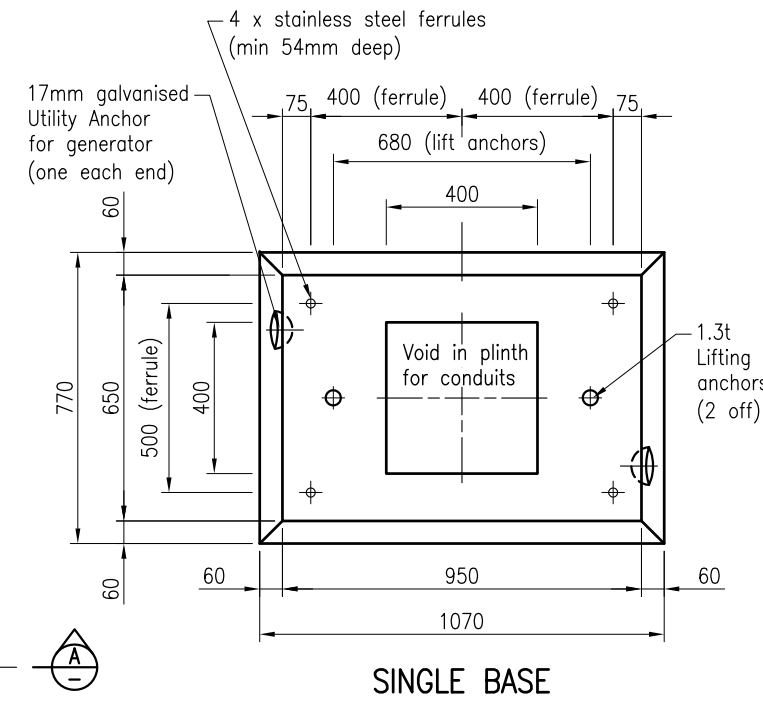
- Departmental Standard Drawings:
 - 1415 Traffic Signals/Road Lighting - Cable Joining Pit type 60
 - 1689 ITS - Switchboard Typical Layout and Circuit Diagram MEN System
 - 1699 Traffic Signals/Road Lighting/ITS - Parts List

Departmental Specifications:

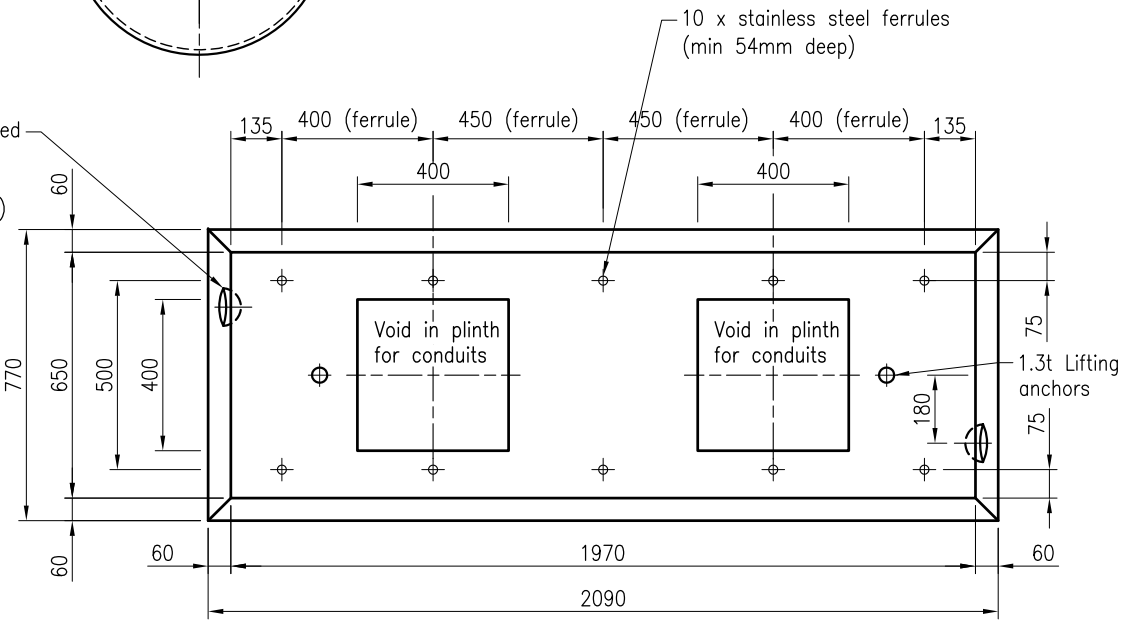
- MRTS70 Concrete
- MRTS72 Manufacture of Precast Concrete Elements
- MRTS91 Conduits and Pits
- MRTS226 Telecommunications Field Cabinets

Australian Standards:

- AS/NZS 3000 Electrical Installations (Wiring Rules)



SINGLE BASE



DOUBLE BASE

DETAIL 1
PRECAST CONCRETE PLINTH

Department of Transport and Main Roads				© The State of Queensland (Department of Transport and Main Roads) 2018 http://creativecommons.org/licenses/by/3.0/au	
ITS				A3	Standard Drawing No
TELECOMMUNICATIONS FIELD CABINET BASE INSTALLATION DETAILS		Not to Scale	1679		Date 7/18
A	B	C	D	E	