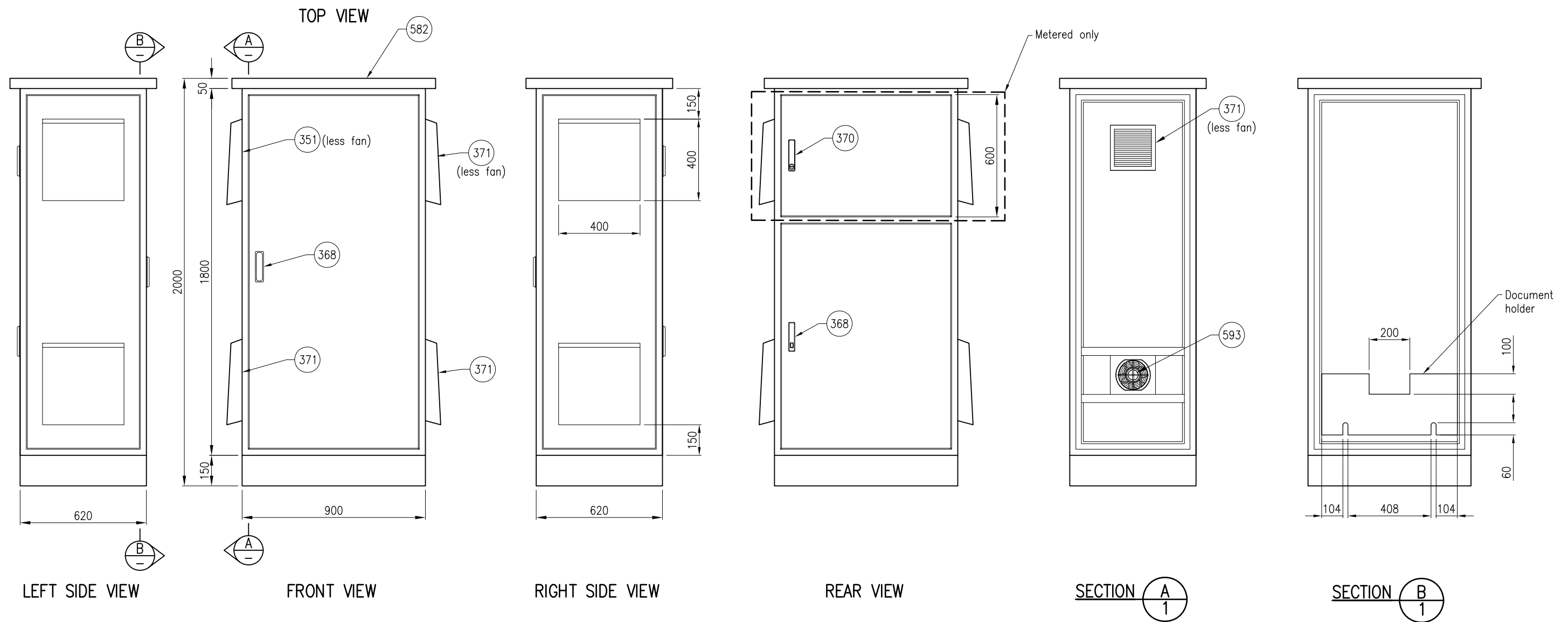
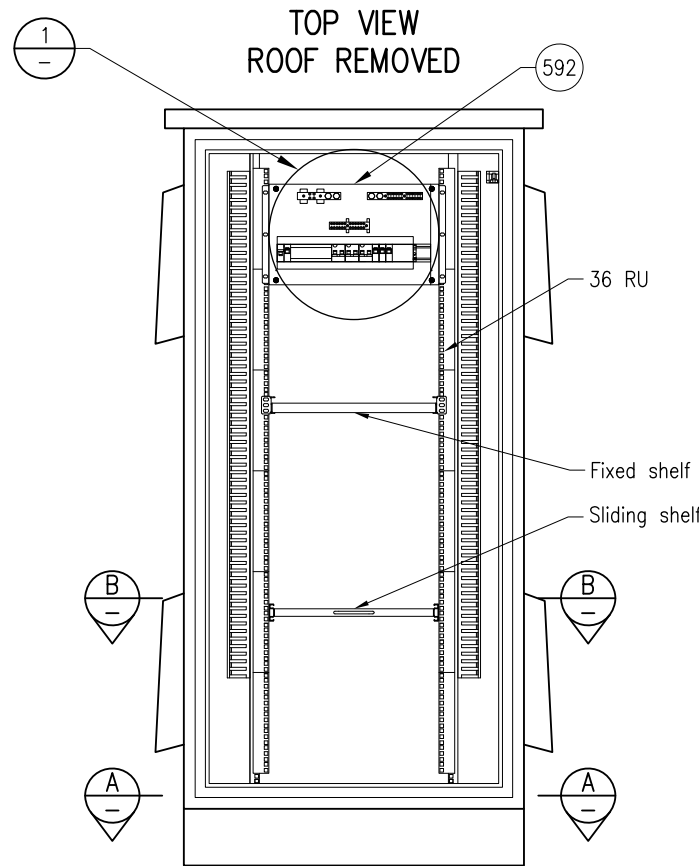
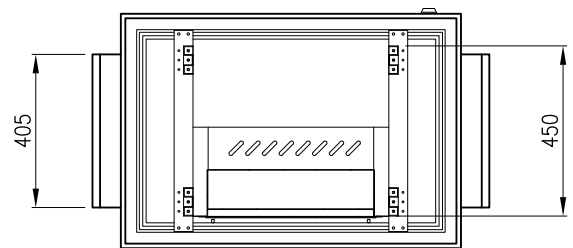


MATERIAL NOTES:

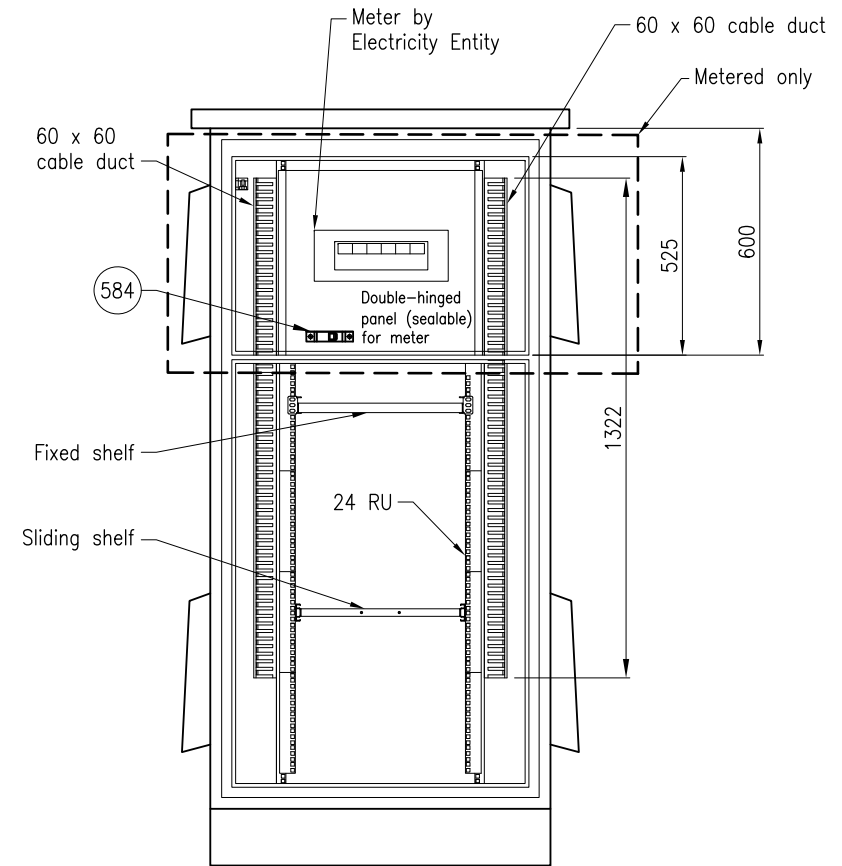
- M1. Rear cover for metered switchboard is to be bolted in position.
- M2. Lower section of enclosure to be fitted with a 2mm galvanised steel mounting plate powder coated white. Panel to be fitted with a 1.5mm bracket for the mounting of DIN circuit breakers.
- M3. Enclosure is to be naturally ventilated using louvre vents with 1mm screen including thermostat controlled fan ventilation.
- M4. Roof is to slope to the rear of the enclosure to allow runoff of water.
- M5. Plinth is to be bolted to the enclosure using M12 stainless steel bolts.



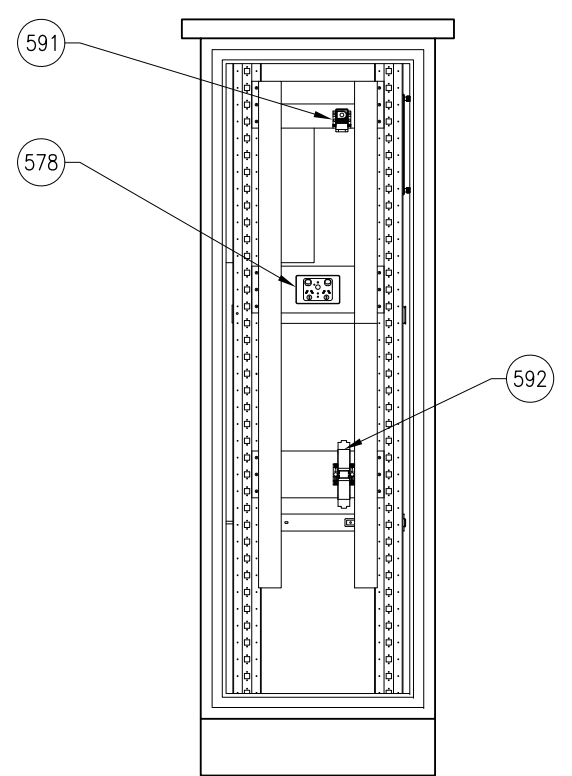
Department of Transport and Main Roads		 <small>© The State of Queensland (Department of Transport and Main Roads) 2020 https://creativecommons.org/licenses/by/4.0/</small>	
ITS			
SWITCHBOARD TYPICAL LAYOUT AND CIRCUIT DIAGRAM MEN SYSTEM SHEET 1 OF 3		A3 Not to Scale	Standard Drawing No 1689 Date 11/2020
A	B	C	D



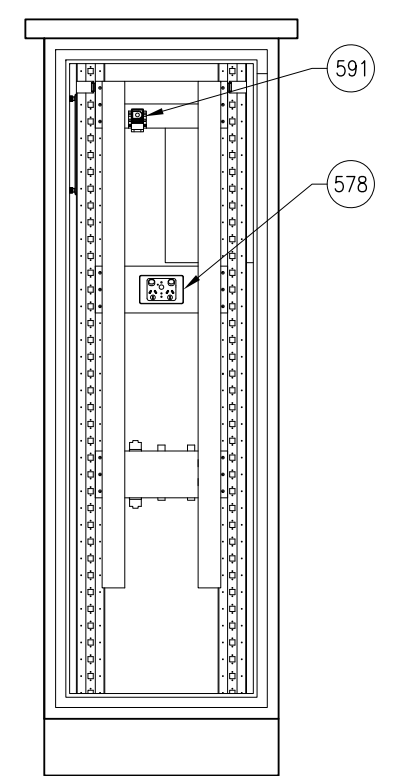
FRONT VIEW
DOOR REMOVED



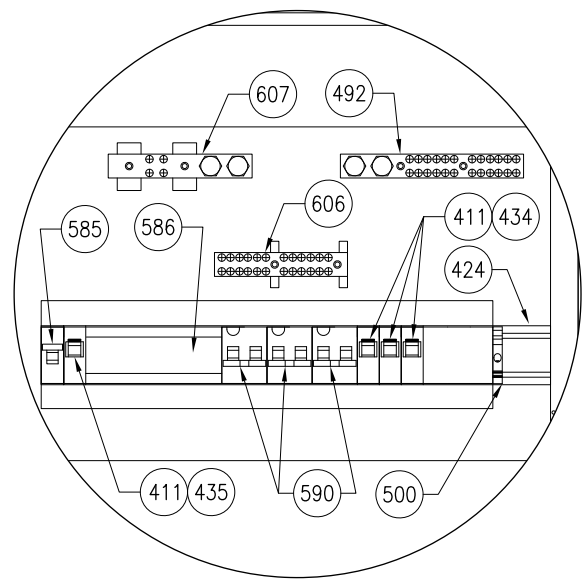
REAR VIEW
DOOR REMOVED



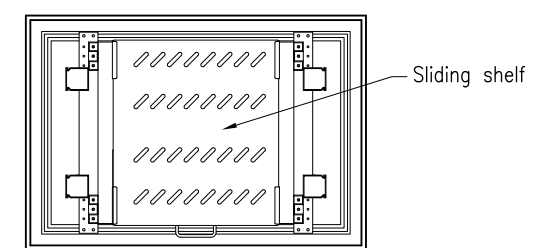
LEFT SIDE VIEW
DOOR REMOVED



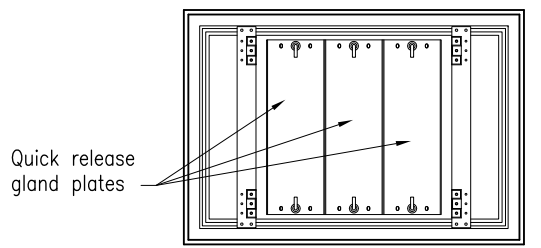
RHS VIEW
DOOR REMOVED



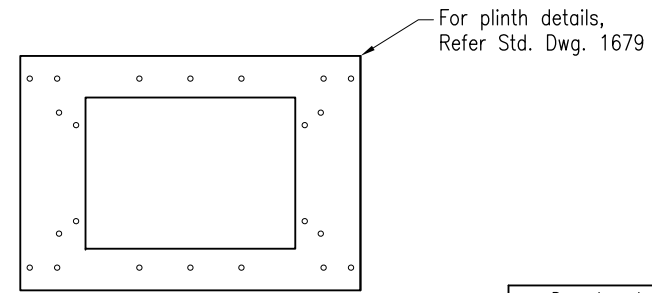
DETAIL 1
ESCUTCHEON REMOVED



SECTION B

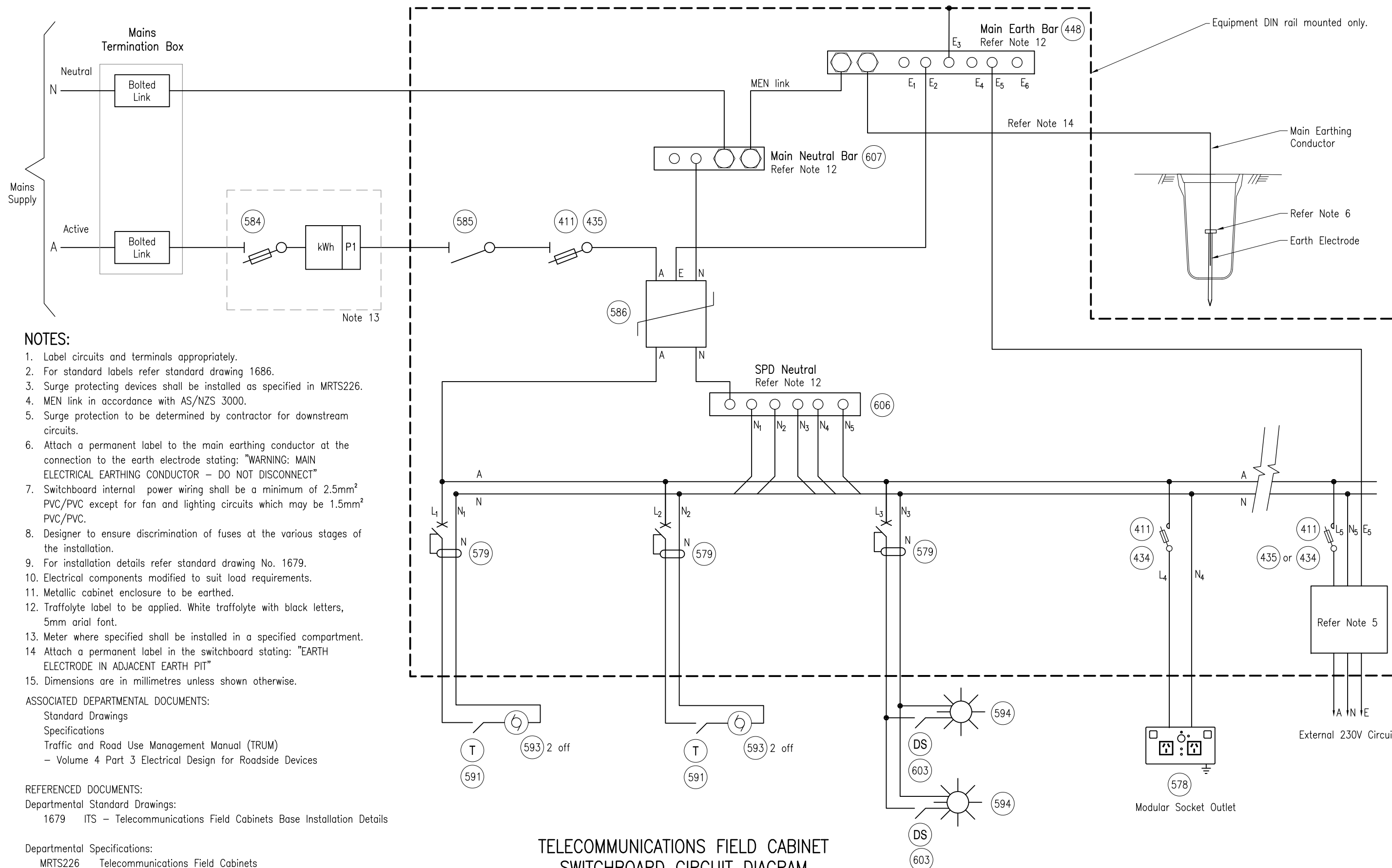


SECTION A



PLAN VIEW BASE

Department of Transport and Main Roads				© The State of Queensland (Department of Transport and Main Roads) 2020 https://creativecommons.org/licenses/by/4.0/	
ITS				A3	Standard Drawing No
SWITCHBOARD TYPICAL LAYOUT AND CIRCUIT DIAGRAM MEN SYSTEM		Not to Scale	1689		
SHEET 2 OF 3			Date 11/2020		
A	B	C	D		



NOTES:

1. Label circuits and terminals appropriately.
2. For standard labels refer standard drawing 1686.
3. Surge protecting devices shall be installed as specified in MRTS226.
4. MEN link in accordance with AS/NZS 3000.
5. Surge protection to be determined by contractor for downstream circuits.
6. Attach a permanent label to the main earthing conductor at the connection to the earth electrode stating: "WARNING: MAIN ELECTRICAL EARTHING CONDUCTOR – DO NOT DISCONNECT"
7. Switchboard internal power wiring shall be a minimum of 2.5mm² PVC/PVC except for fan and lighting circuits which may be 1.5mm² PVC/PVC.
8. Designer to ensure discrimination of fuses at the various stages of the installation.
9. For installation details refer standard drawing No. 1679.
10. Electrical components modified to suit load requirements.
11. Metallic cabinet enclosure to be earthed.
12. Traffolyte label to be applied. White traffolyte with black letters, 5mm arial font.
13. Meter where specified shall be installed in a specified compartment.
14. Attach a permanent label in the switchboard stating: "EARTH ELECTRODE IN ADJACENT EARTH PIT"
15. Dimensions are in millimetres unless shown otherwise.

ASSOCIATED DEPARTMENTAL DOCUMENTS:
 Standard Drawings
 Specifications
 Traffic and Road Use Management Manual (TRUM)
 – Volume 4 Part 3 Electrical Design for Roadside Devices

REFERENCED DOCUMENTS:
 Departmental Standard Drawings:
 1679 ITS – Telecommunications Field Cabinets Base Installation Details

Departmental Specifications:
 MRTS226 Telecommunications Field Cabinets
 MRTS228 Electrical Switchboards
 MRTS256 Power Cables

Australian Standards:
 AS/NZS 3000 Electrical Installations (Wiring Rules)

- LEGEND**
- (DS) Door Switch
 - (T) Thermostat

TELECOMMUNICATIONS FIELD CABINET SWITCHBOARD CIRCUIT DIAGRAM

Department of Transport and Main Roads		 <small>© The State of Queensland (Department of Transport and Main Roads) 2020 https://creativecommons.org/licenses/by/4.0/</small>
ITS		
SWITCHBOARD TYPICAL LAYOUT AND CIRCUIT DIAGRAM MEN SYSTEM SHEET 3 OF 3		Standard Drawing No <h1>1689</h1> Date 11/2020
A3	Not to Scale	
A	B	C