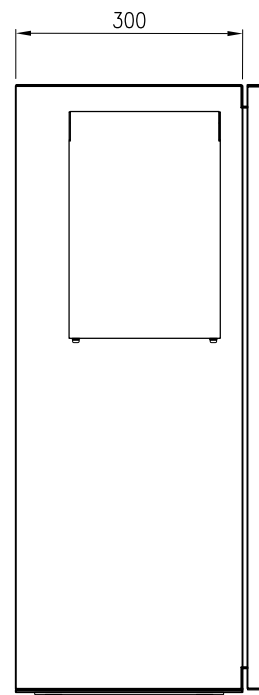
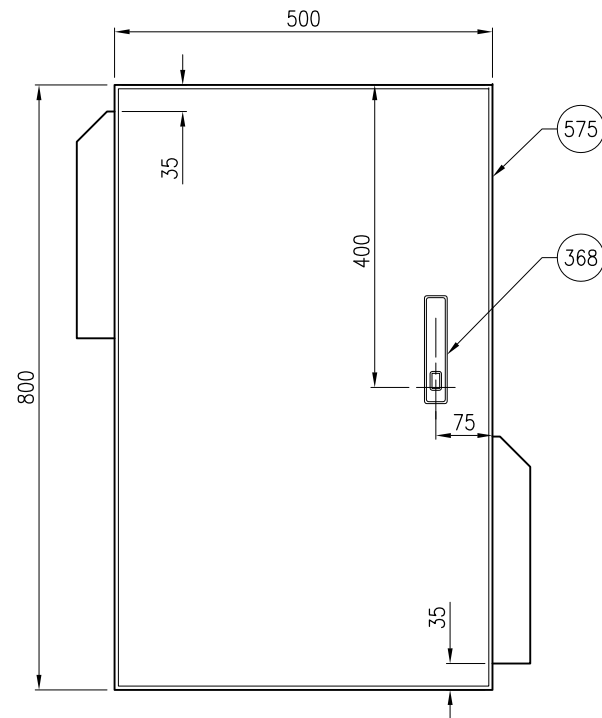


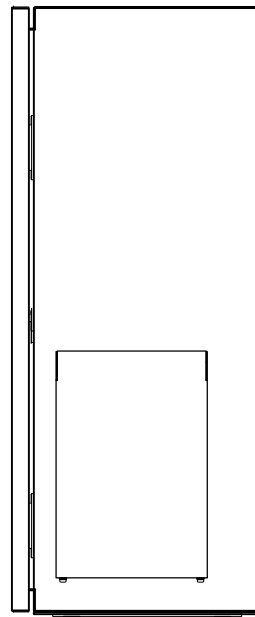
TOP VIEW



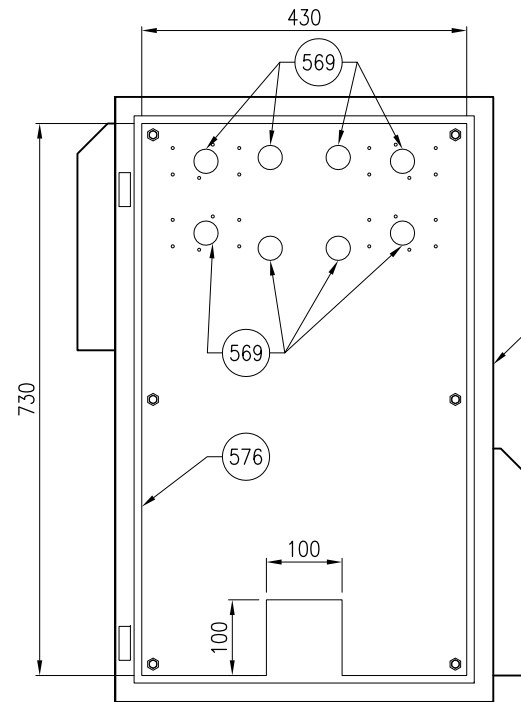
LHS VIEW



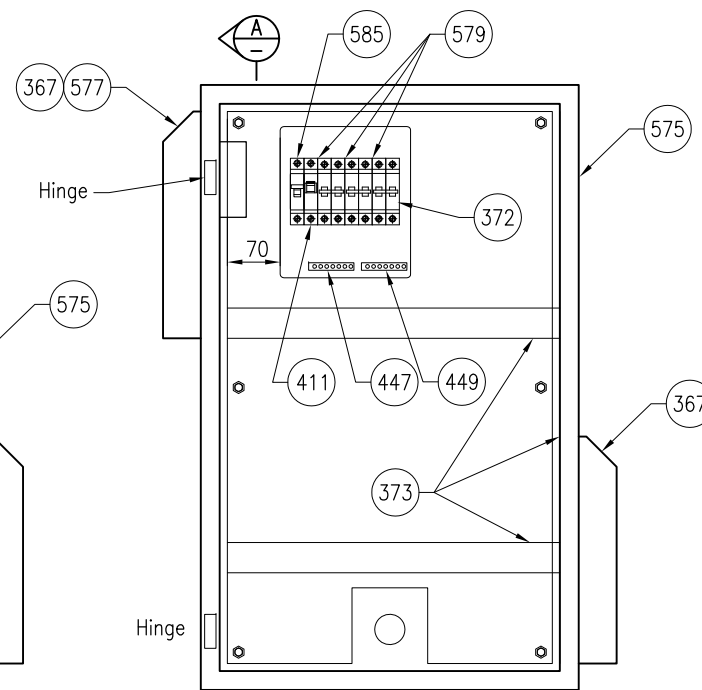
FRONT VIEW



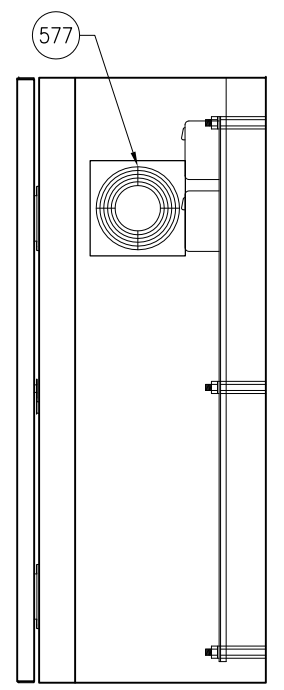
RHS VIEW



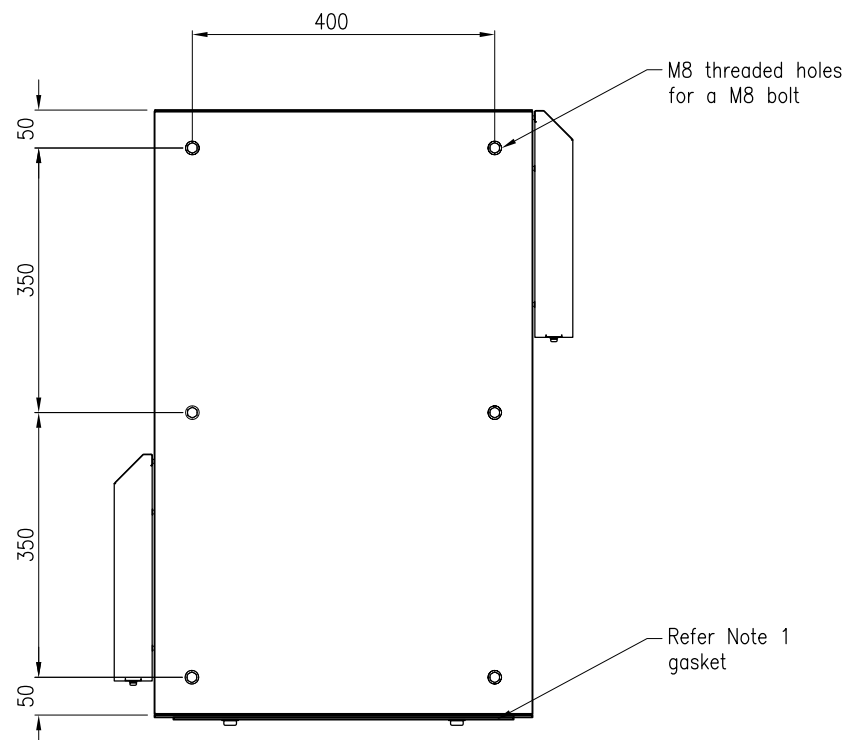
FRONT VIEW  
DOOR REMOVED



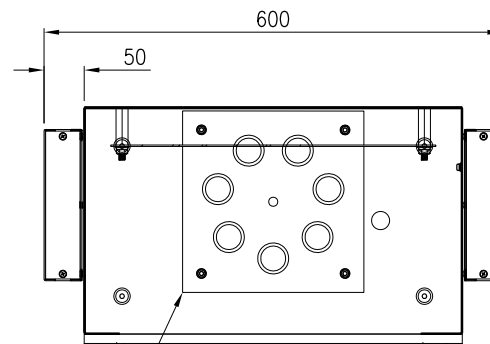
FRONT VIEW  
DOOR AND ESCUTCHEON  
REMOVED



SECTION A-A



REAR VIEW



BASE VIEW

Gland plate Refer Std Dwg No. 1686 for details.

Refer Standard Drawing 1686 for details of:-

- gland plate
- without gland plate
- switchboard gasket
- gland plate gasket

**NOTES:**

1. For material notes, refer standard drawing 1686.
2. For post top installation details refer standard drawings 1627 and 1628.
3. For back mount installation, refer MRTS97. use 3 x (376)
4. Dimensions are in millimetres unless shown otherwise.

**ASSOCIATED DEPARTMENTAL DOCUMENTS:**

- Standard Drawings
- Specifications
- Traffic and Road Use Management Manual (TRUM) - Volume 4 Part 3 Electrical Design for Roadside Devices

**REFERENCED DOCUMENTS:**

- Departmental Standard Drawings:
  - 1627 Road Lighting - Switchboard Top Mounted
  - 1686 Road Lighting - Switchboard Assembly Details
  - 1699 Traffic Signals/Road Lighting/ITS - Parts List

**Departmental Standard Specifications:**

- MRTS97 Mounting Structures for Roadside Equipment
- MRTS228 Electrical Switchboards
- MRTS210 Provision of Mains Power
- MRTS256 Power Cables

**Australian Standards:**

- AS/NZS 3000 Electrical Installations (Wiring Rules)

Department of Transport and Main Roads		 <small>© The State of Queensland (Department of Transport and Main Roads) 2018  <a href="http://creativecommons.org/licenses/by/3.0/au">http://creativecommons.org/licenses/by/3.0/au</a> </small>	
ITS			
SWITCHBOARD ASSEMBLY DETAILS		A3	Standard Drawing No
POLE / TOP MOUNTED		Not to Scale	1690
			Date 7/18
A	B		