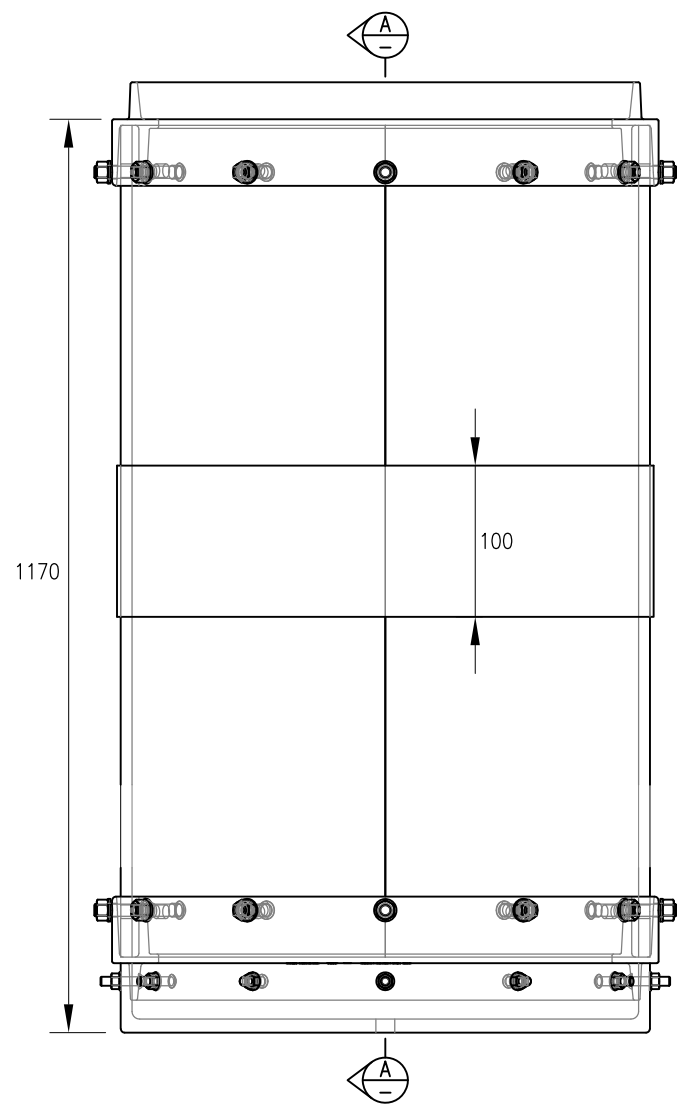
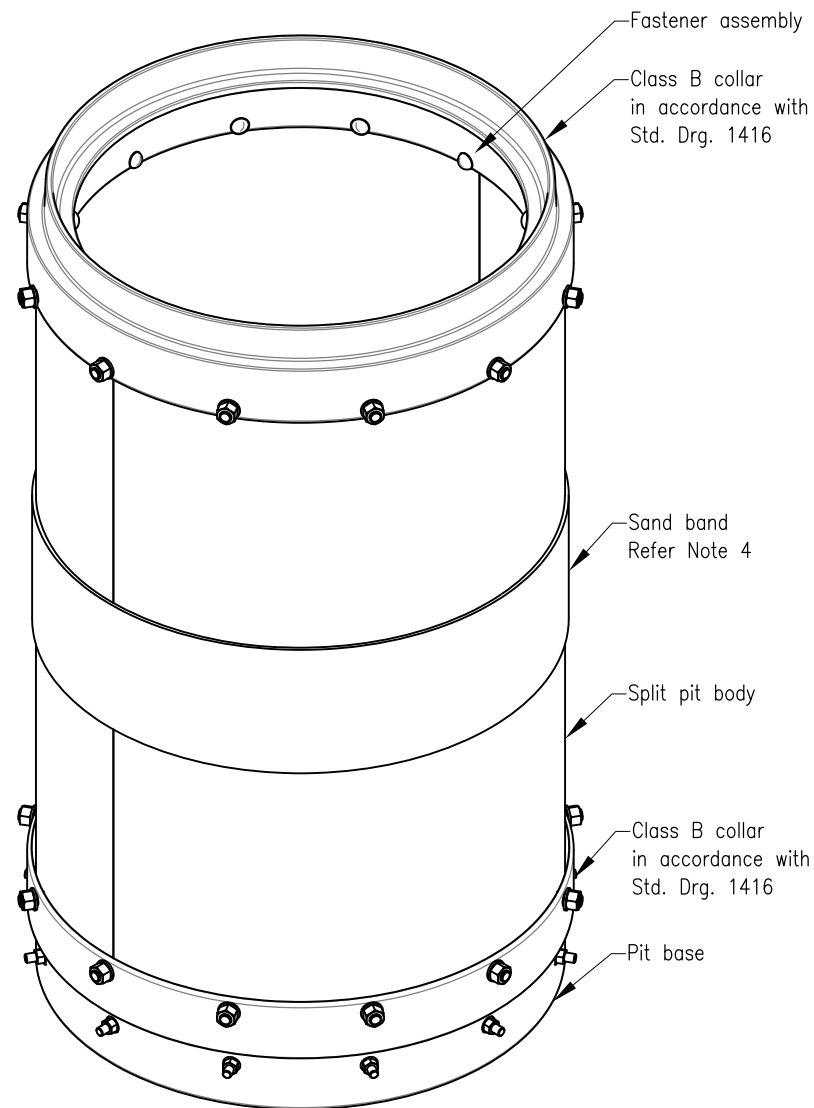


TOP VIEW

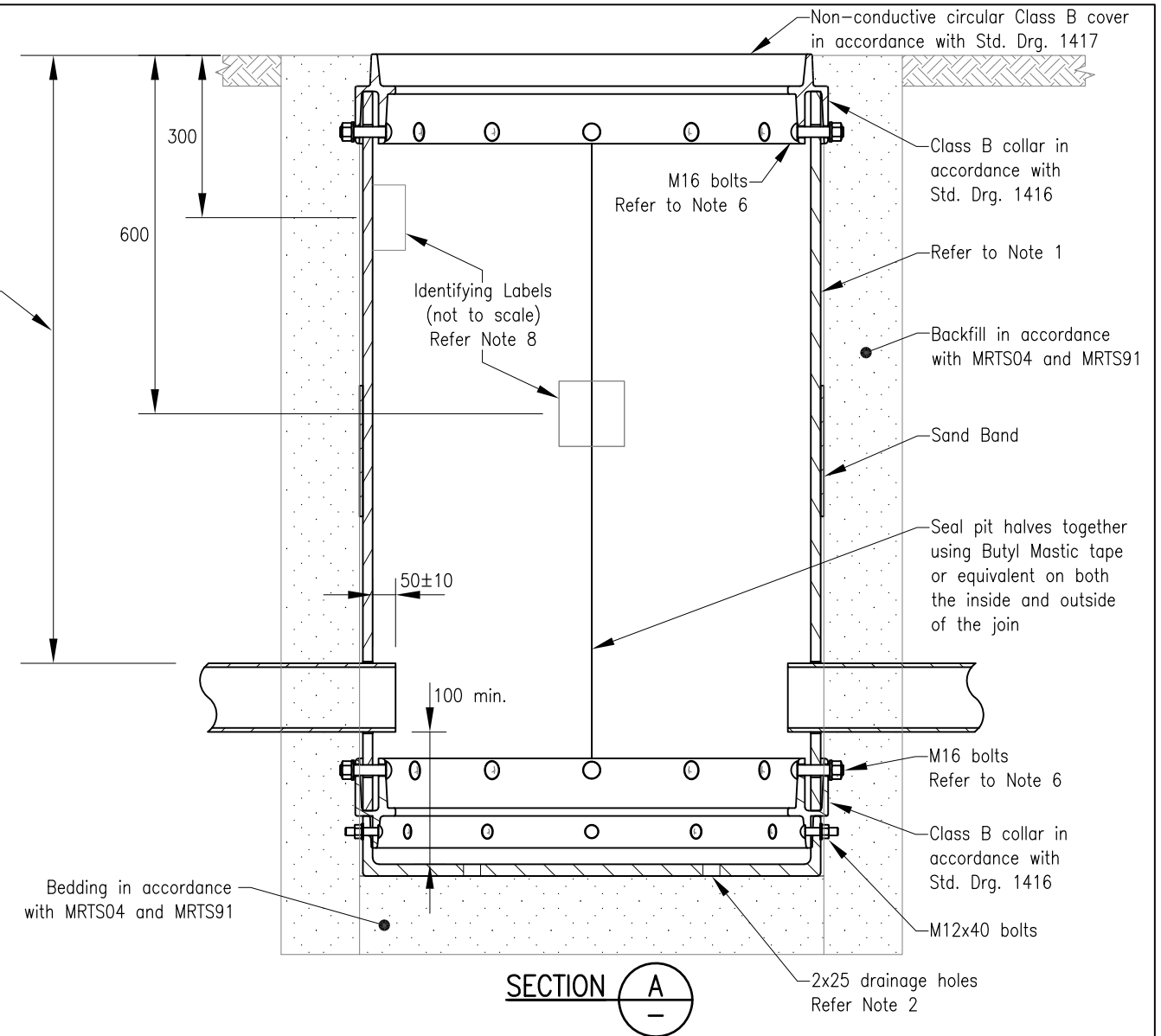


FRONT VIEW



ISOMETRIC VIEW

Depth to be in accordance with Std. Drg. 1149



NOTES:

1. Circular pit of Type 60 to be 600 I.D. and circular pit of Type 100 to be 1000 I.D. Wall thickness to be  $14 \pm 2$ , absolute minimum thickness of 12. The height shall be  $1200 \pm 10$ .
2. Pit shall have a base thickness of  $15 \pm 2$  and contain two 25 drain holes located diametrically opposite each other as shown.
3. The pit shall have sufficient vertical strength to support Class B design load applied in accordance with AS/NZS 3996 where load is transferred to the collar into the pit wall only via 12-M16 bolts. The resultant permanent vertical deformation of the pit and collar system after the load is removed shall be less than 10.
4. The sand band is used to hold the pit together, while the split pit is being assembled.
5. The collar shall be placed on the pit prior to compaction of the backfill material to prevent elongation of the top of the pit.
6. 12 galvanised cuphead M16 bolts with 2 washers each, one next to the square section underneath the cuphead, to permanently attach the collar to the pit. The cupheads are on the inside of the pit. All bolts, nuts and washers are to be galvanised to AS/NZS 1214.
7. Split pits are to be used as the last resort with preference being the standard Type 60 or Type 100 pit.
8. Maximum number of conduit entries is six (6), preferably with a maximum of two (2) installed along the split lines.
9. Pit shall be transported and stored upright.

10. Two (2) Permanent Identifying Labels shall be attached to the inside of each pit at 300 and 600 from the top of the pit to the centre of the label, at 90 degrees offset from each other and shall state "[Manufacturer's Name]", "Date of Manufacture [(Month/Year)]", "[Weight of Product] kg".
11. Pit shall not be installed in roadways.
12. Backfill shall be compacted in accordance with MRTS04 and MRTS91.
13. Dimensions are in millimeters.

ASSOCIATED DEPARTMENTAL DOCUMENTS:

Standard Drawings  
Specifications

REFERENCED DOCUMENTS

Departmental Standard Drawings:  
1416 Collar for Circular Jointing Pit  
1417 Cable Jointing Pit - Circular Pit Cover  
1149 Installation of Underground Electrical and Communications Conduit  
Departmental Specifications:  
MRTS04 General Earthworks  
MRTS91 Conduits and Pits  
Australian Standards:  
AS/NZS 1214 Hot-Dip Galvanised Coatings on Threaded Fasteners  
AS/NZS 3996 Access Covers and Crates

INSTALLATION OF CONDUITS AND PITS IS THE RESPONSIBILITY OF THE LICENSED ELECTRICAL CONTRACTOR

Department of Transport and Main Roads		<p>© The State of Queensland (Department of Transport and Main Roads) 2022 <a href="https://creativecommons.org/licenses/by/4.0/">https://creativecommons.org/licenses/by/4.0/</a></p>	
TRAFFIC SIGNALS/ROAD LIGHTING/ITS			
CIRCULAR SPLIT PIT		A3	Standard Drawing No
		Not to Scale	1695
		A	Date 3/2022