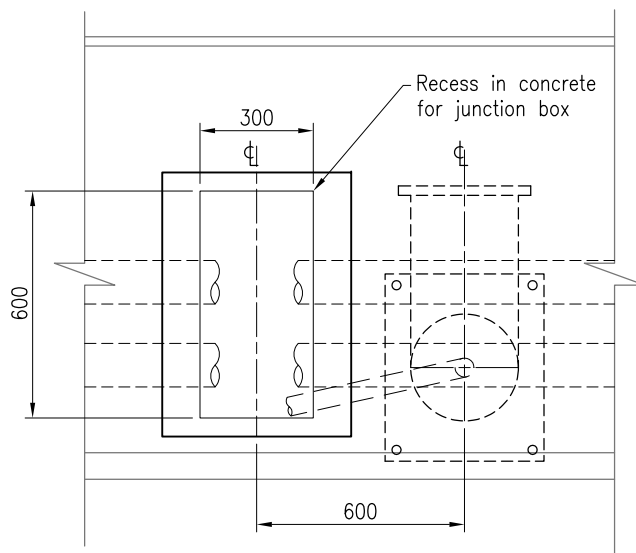
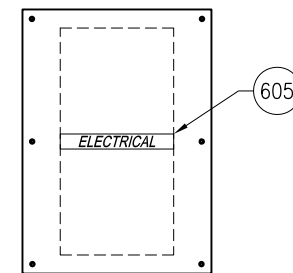


SECTIONAL ELEVATION

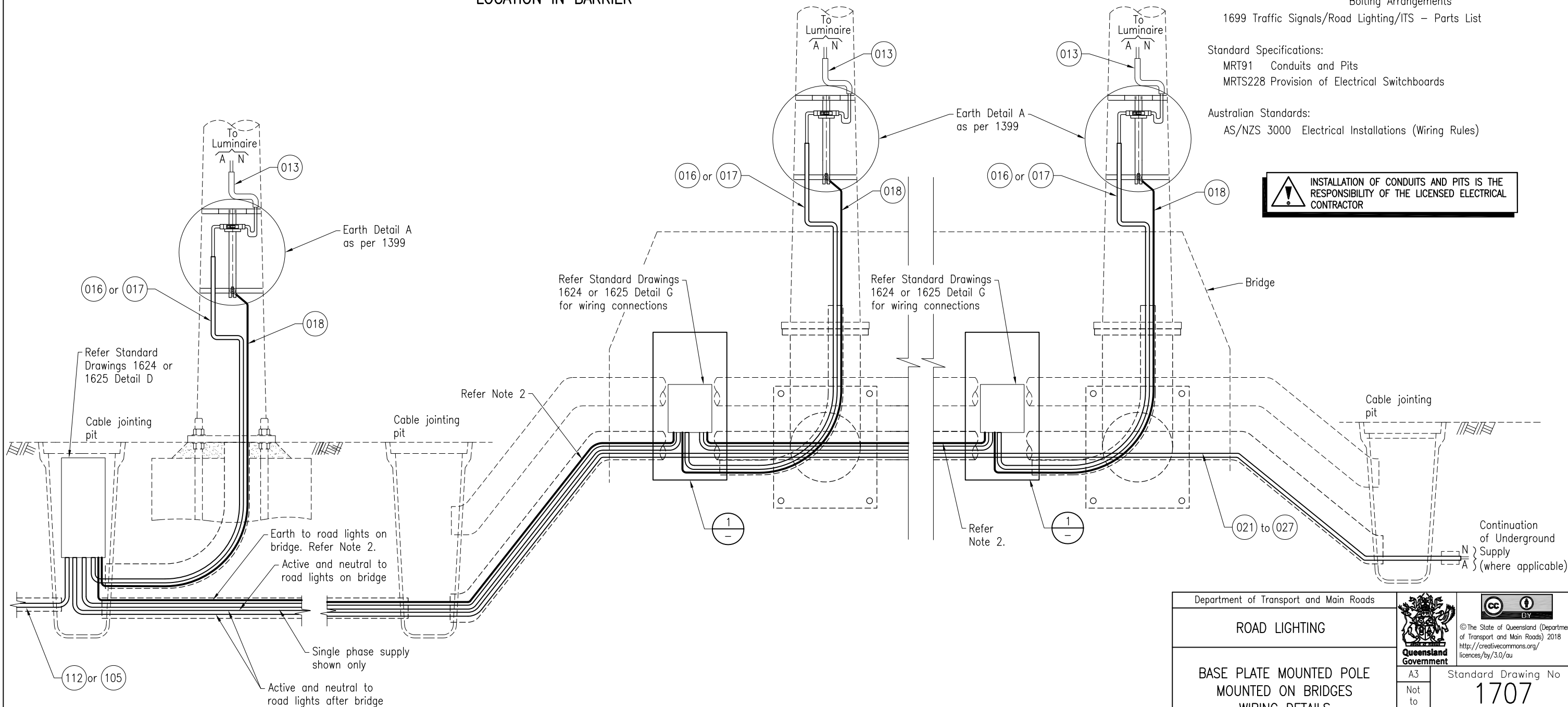


FRONT VIEW



JUNCTION BOX COVER PLATE

DETAIL 1
LAMPSTAND AND JUNCTION BOX LOCATION IN BARRIER



NOTES:

1. Ensure earth connection properly tightened before installing luminaire terminal panel.
2. The earth cable connecting to the bridge lighting shall be the same cross sectional area as the submains cable.
3. Poles on structure to have a label on terminal panel showing pole number where earth electrode is located.
4. Poles on structure must not have MEN Link.
5. Dimensions are in millimetres unless shown otherwise.

ASSOCIATED DEPARTMENTAL DOCUMENTS:

- Standard Drawings Specifications
- Traffic and Road Use Management Manual (TRUM)
 - Volume 4 Part 3 Electrical Design for Roadside Devices
 - Volume 4 Part 4 Road Lighting Dome Junction Box Assembly

REFERENCED DOCUMENTS:

- Departmental Standard Drawings:
 - 1323 Road Lighting - Luminaire Terminal Panel
 - 1624 Road Lighting - Junction Box Single Phase Wiring Details
 - 1625 Road Lighting - Junction Box Three Phase Wiring Details
 - 1626 Road Lighting - Junction Box Active, Neutral and Earth Bolting Arrangements
 - 1699 Traffic Signals/Road Lighting/ITS - Parts List

Standard Specifications:

- MRT91 Conduits and Pits
- MRTS228 Provision of Electrical Switchboards

Australian Standards:

- AS/NZS 3000 Electrical Installations (Wiring Rules)

⚠ INSTALLATION OF CONDUITS AND PITS IS THE RESPONSIBILITY OF THE LICENSED ELECTRICAL CONTRACTOR

Department of Transport and Main Roads				© The State of Queensland (Department of Transport and Main Roads) 2018 http://creativecommons.org/licenses/by/3.0/au	
ROAD LIGHTING				A3	Standard Drawing No
BASE PLATE MOUNTED POLE MOUNTED ON BRIDGES WIRING DETAILS		Not to Scale	1707		Date 7/18
A	B	C	D	E	F