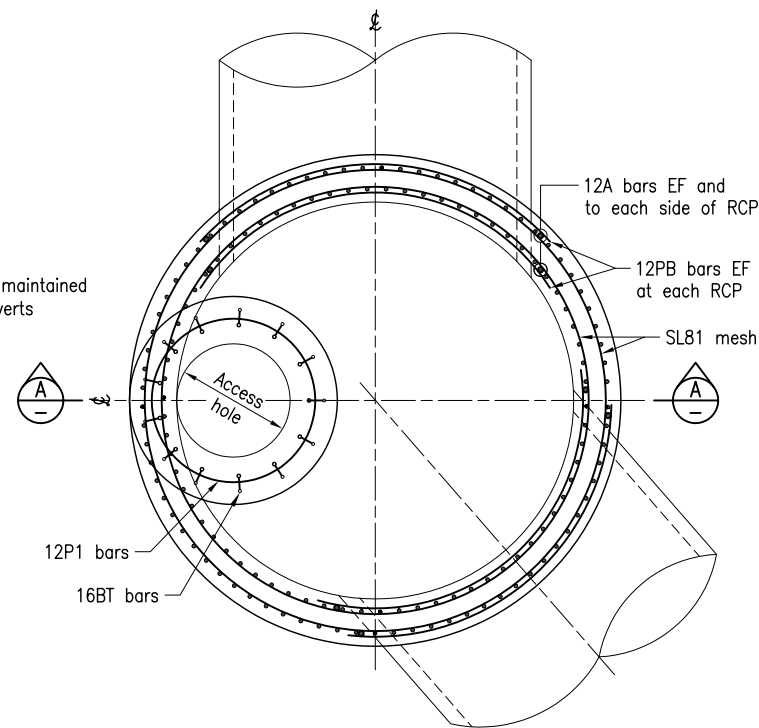


TYPICAL PLAN
ACCESS CHAMBER



TYPICAL PLAN - REINFORCEMENT DETAILS

CHAMBER DETAILS

Chamber 'ID'	Base or Wall thickness 't' for all 'L'
1050	225
1200	225
1500	225
1800	250
2100	250

NOTES:

- SCOPE: This Standard Drawing provides details of roadway type cast insitu access chamber of maximum depth 5000. Access chamber sizes greater than those shown on this drawing shall be a project specific design. Constructability and accessibility of deeper chambers shall be considered in the design. Refer Note 11 for additional design requirements for chambers deeper than 5000. Refer Standard Drawing 1308 for precast roof slab details.
- ACCESS CHAMBERS shall be in accordance with MRTS03.
- DESIGN LIFE: Chambers up to 5000 deep - 50 years for all components. Refer Note 11 for other structures.
- DESIGN OF CONCRETE COMPONENTS:
 - Traffic loads and traffic load surcharge shall be in accordance with AS 5100.
 - Load factors and load combinations shall be in accordance with AS 5100.
 - Structural design shall be in accordance with AS 3600.
- COVERS AND FRAMES shall be Class D to AS 3996. Approved covers and frames shall be used.
- CONCRETE shall be in accordance with MRTS70. Exposure classification and cover to reinforcement shall be in accordance with AS 3600. Minimum concrete strength and cover to reinforcement shall be as shown in the table below.

Exposure classification	minimum B2	C1	C2
Minimum concrete strength	S40/20	S50/20	S50/20
Minimum Cover	45	50	65

Blinking concrete S20/20.

- REINFORCING STEEL shall be read in conjunction with Standard Drawings 1043 and 1044. Reinforcing steel shall be in accordance with MRTS71 and AS/NZS 4671. Deformed bars Grade D500N and mesh Grade D500L. All reinforcing steel shall be ACRS certified.
- Access to within the chamber shall be in accordance with AS 1657.
- TACK WELDING to reinforcement for location purposes to AS/NZS 1554.3. Welding consumables to be controlled hydrogen type: G49X to AS/NZS ISO 14341-B or T49X to AS/NZS ISO 17632-B.
- PROJECT-SPECIFIC INFORMATION TO BE SHOWN IN THE DOCUMENTS: Reference Point; Height of chamber; Connecting pipe details; and Steel schedule
- DESIGN REQUIREMENTS for chambers deeper than 5000:
 - Design life 100 years;
 - Minimum exposure classification B2 to AS 5100;
 - Minimum concrete strength S40/20;
 - Cover to reinforcement to AS 5100.
- DIMENSIONS are in millimetres unless shown otherwise.

ASSOCIATED DEPARTMENTAL DOCUMENTS:

Design Criteria for Bridges and Other Structures
Road Drainage Manual

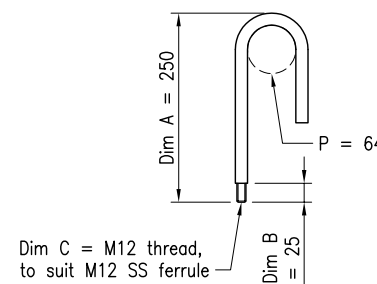
REFERENCED DOCUMENTS:

Departmental Standard Drawings:

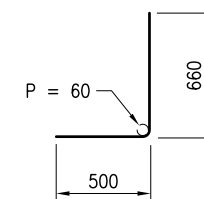
- 1043 Reinforcing Steel - Standard Bar Shapes
- 1044 Reinforcing Steel - Lap Lengths
- 1308 Access Chamber - Precast Roof Slab

Departmental Specifications:

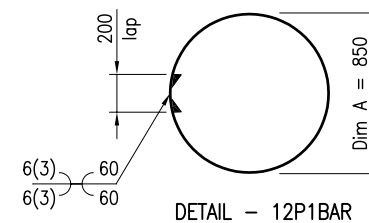
- MRTS03 Drainage, Retaining Structures and Protective Treatments
- MRTS70 Concrete
- MRTS71 Reinforcing Steel



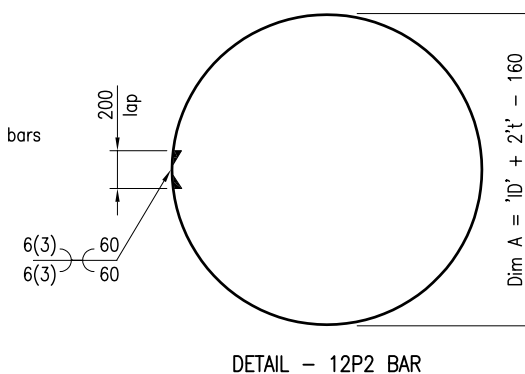
DETAIL - 16BT BAR



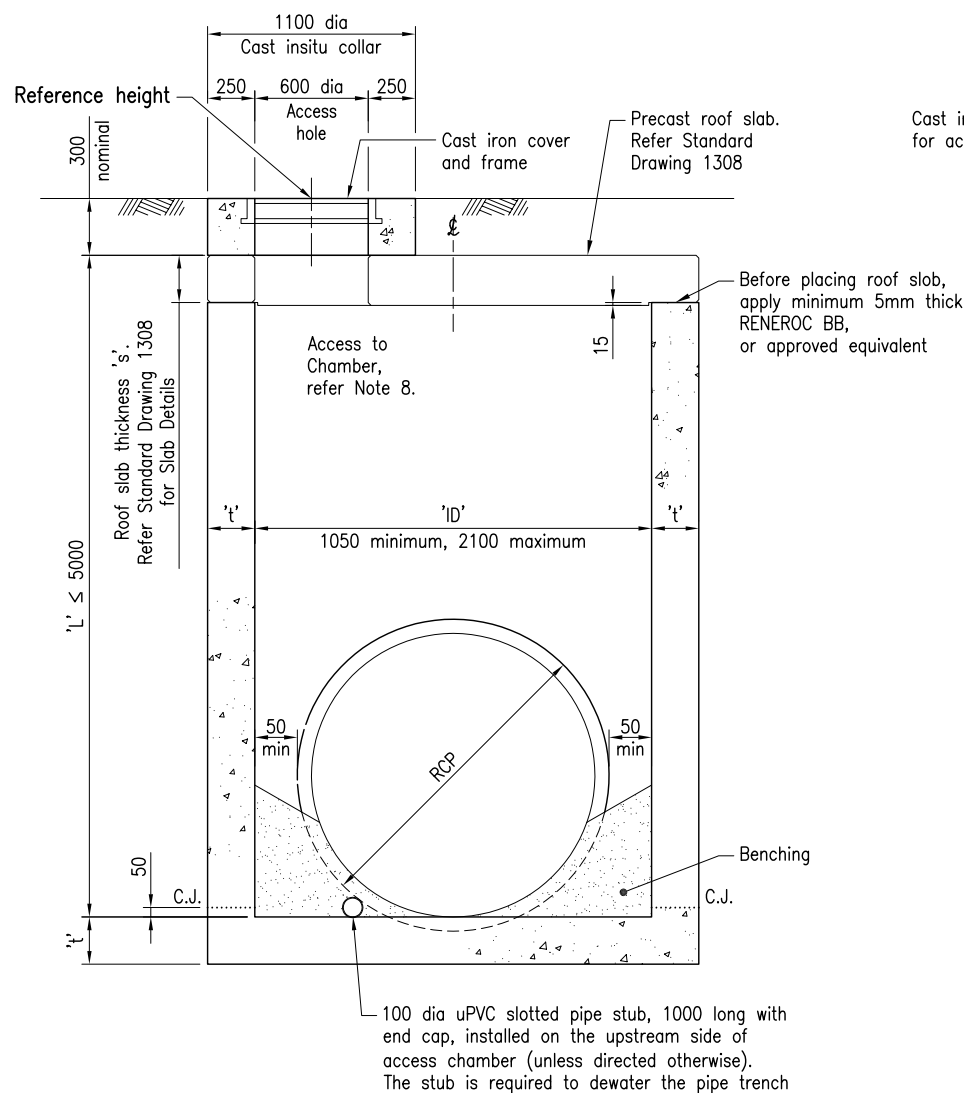
DETAIL - 12D STARTER BAR



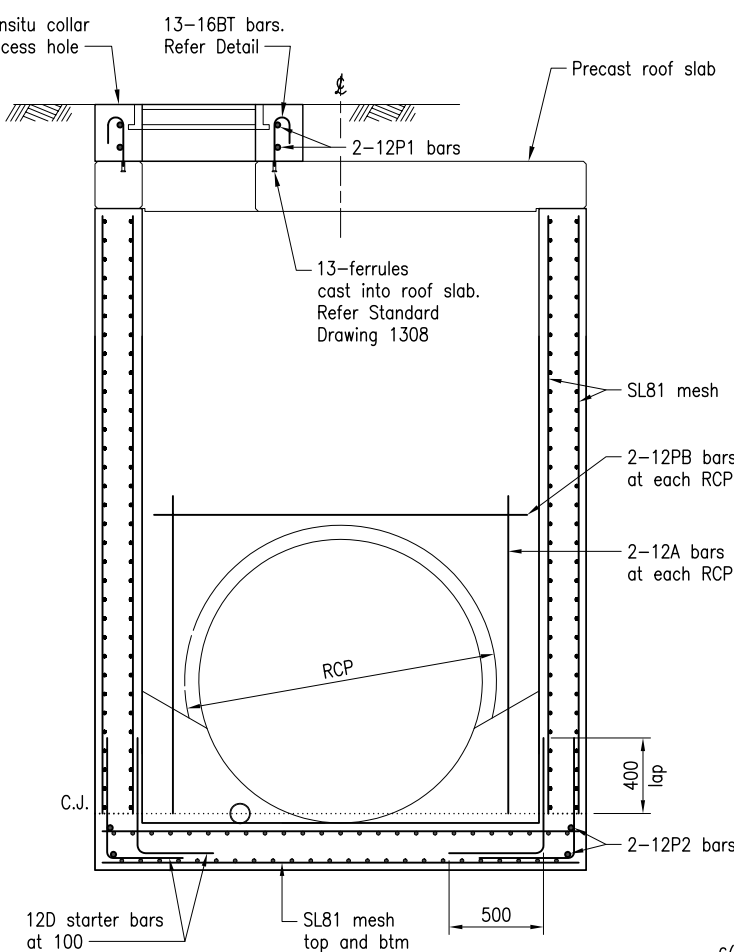
DETAIL - 12P1 BAR



DETAIL - 12P2 BAR



SECTION A CONCRETE DETAILS



SECTION A REINFORCEMENT DETAILS

Department of Transport and Main Roads			
ACCESS CHAMBER			
CAST INSITU DETAILS FOR 1050 TO 2100 DIAMETER ROADWAY TYPE ACCESS CHAMBER		A3	Standard Drawing No
		Not to Scale	1307
			Date 7/18
A	B	C	