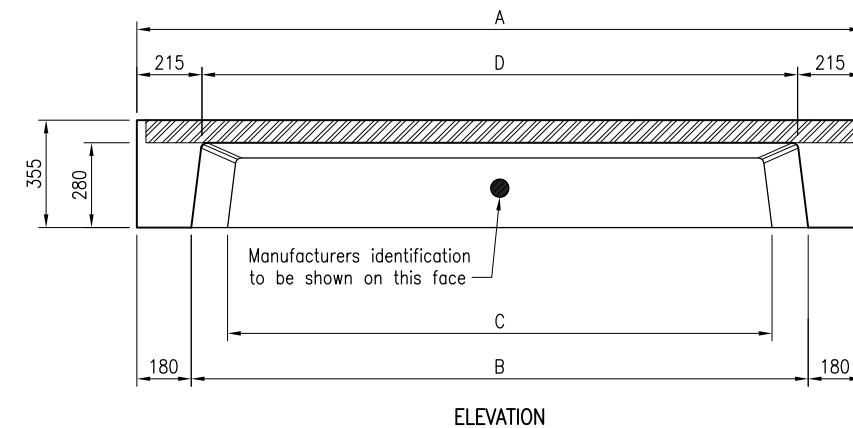
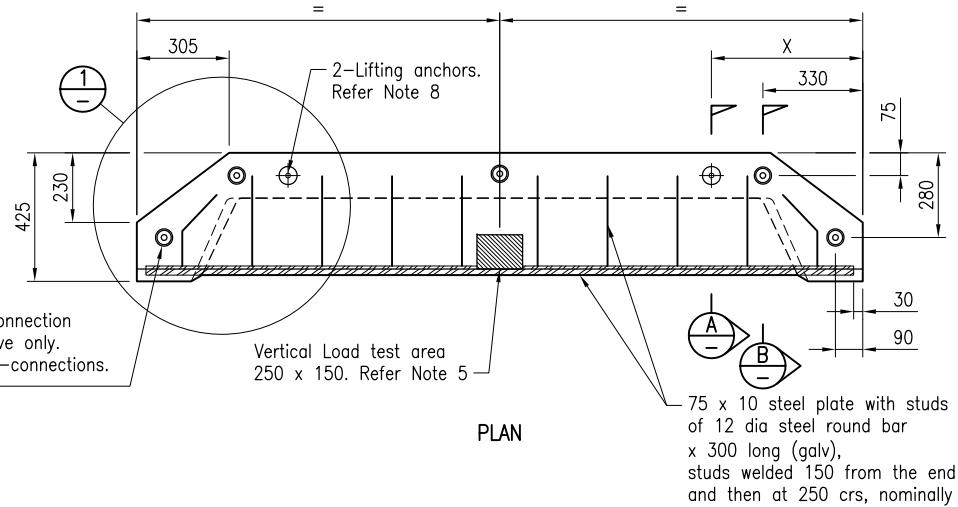


TABLE A - TEST CRITERIA

Refer Note 5	
Criteria	Vertical test load
Proof load	50kN
Ultimate load	90kN



LINTEL DETAILS

Type	Dimension					Mass (kg)
	A	B	C	D	X	
S	2400	2040	1800	1970	500	445
M	3600	3240	3000	3170	690	550
L	4800	4440	4200	4370	1000	725

NOTES:

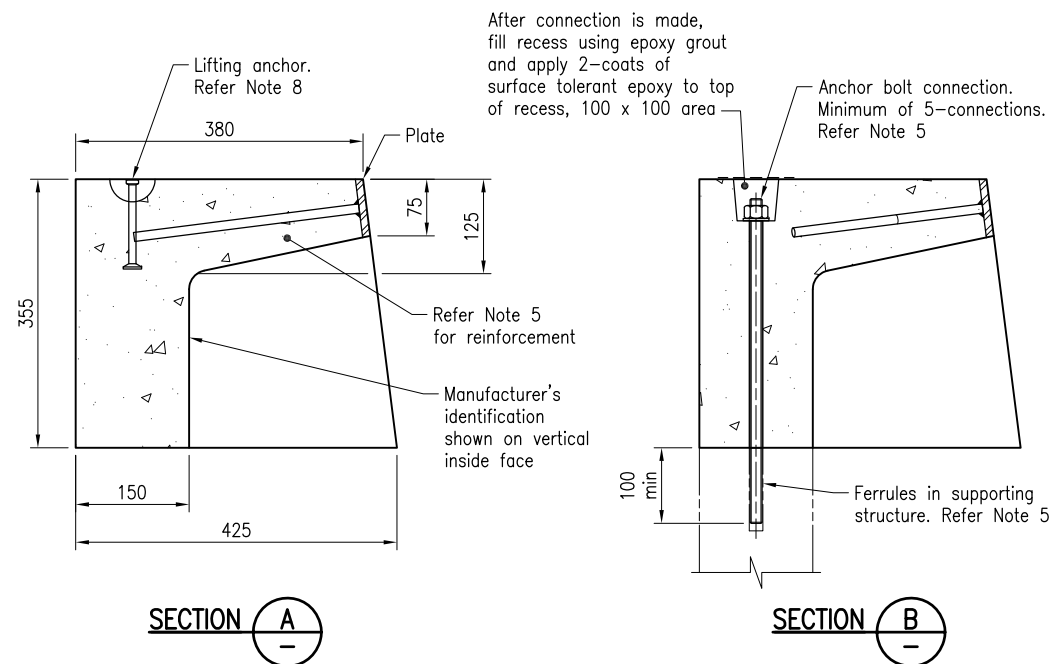
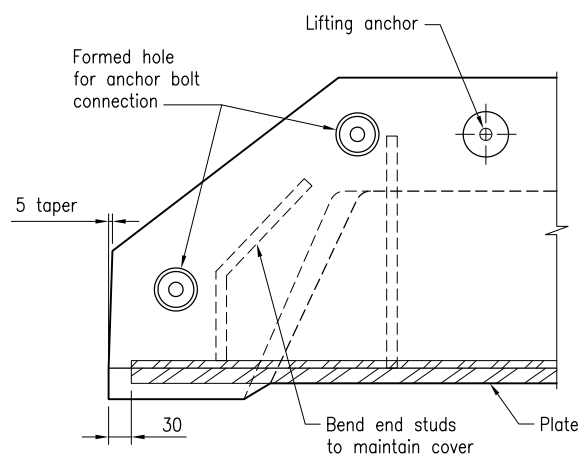
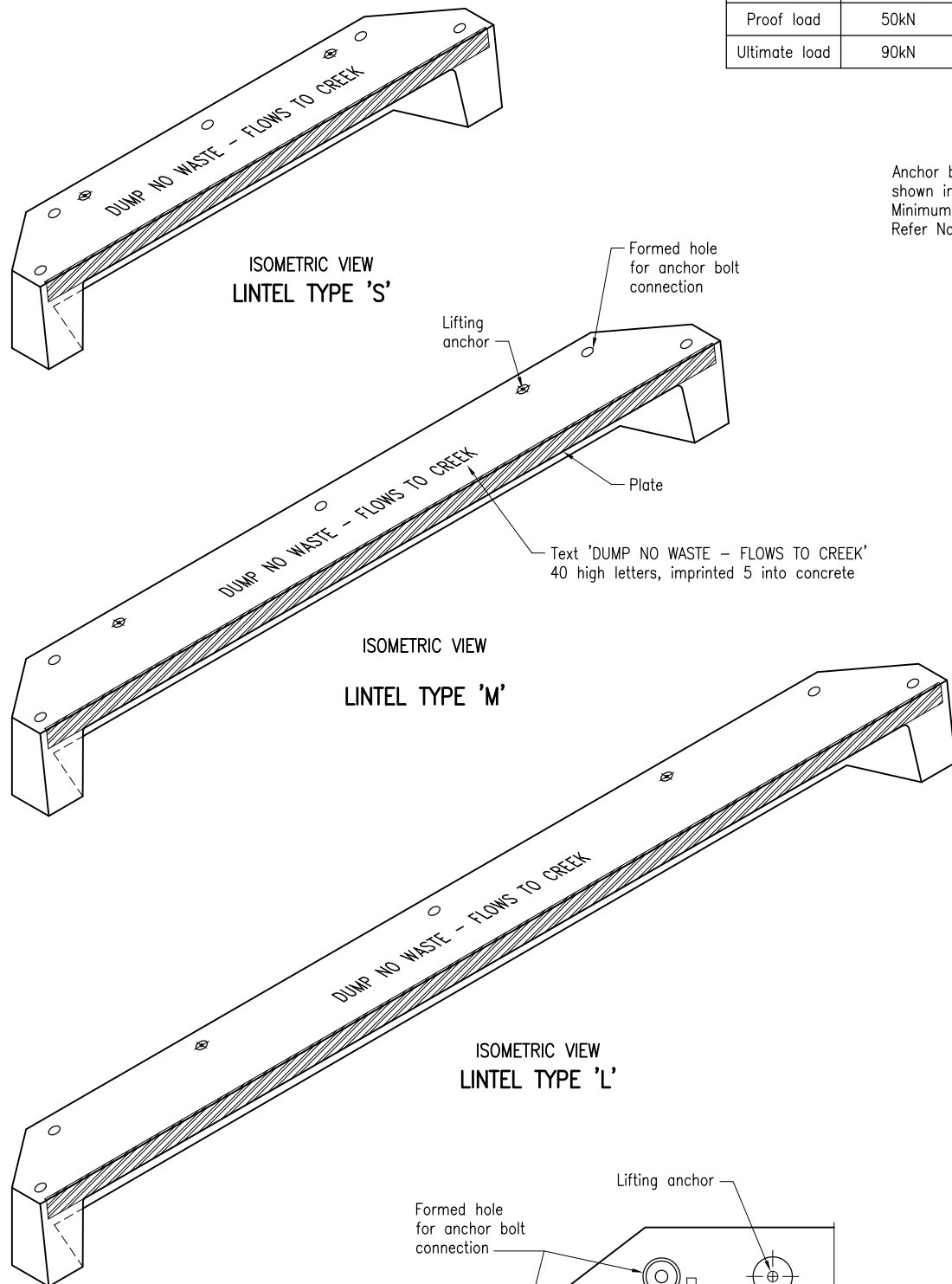
- SCOPE: This Standard Drawing provides details of precast lintels to be used with roadway type side inlet gullies in accordance with MRTS03.
- PRECAST COMPONENTS shall be in accordance with MRTS72. Precast concrete inlet units shall be approved by the Administrator before use in accordance with MRTS72. Precast components shall be made in a TMR registered casting yard.
- DESIGN LIFE shall be 50 years minimum.
- CONCRETE shall be in accordance with MRTS70 with rigid formwork and intense vibration. In lieu of intense vibration, approved super workable concrete may be used. Exposure classification and cover to reinforcement shall be in accordance with AS 3600. Concrete to be N50/20. 20 cover for B1 exposure classification.
- REINFORCING STEEL shall be in accordance with MRTS71 and AS/NZS 4671. All reinforcing steel shall be ACRS certified. Lintel reinforcement and the anchor bolt connection between the lintel and the supporting structure below including the ferrules in supporting structure shall be designed by precaster's designer and shall obtain the strength required to pass the specified test criteria. Minimum of 5-M16 class 8.8 bolts shall be provided for this connection. Ferrules in the supporting structure shall have 100 minimum embedment and 45 kN minimum anchor design capacity. These minimum anchor requirements are to meet the kerb horizontal design loads in accordance with Clause 11.1 of AS 5100.2. The load detailed in TABLE A shall be applied at load test area. Acceptance criteria for load testing shall be in accordance with AS 1597.1. Load testing frequency shall be as follows:
 - Ultimate load testing for product approvals - After review of design drawings submitted by the precaster, TMR will issue a letter of acceptance for testing if the drawings are satisfactory and in accordance with this standard drawing. Test shall be witnessed by TMR or approved representative.
 - Proof load testing - Annually.
 Lintel may be fixed to a concrete block using the bolted connection detail shown prior to testing.
- STEELWORK shall be fabricated to the requirements of MRTS78. Steel plate to Grade 250 UNO to AS/NZS 3678. All steelwork shall be hot dip galvanised to AS/NZS 4680.
- WELDING: Structural Steel welding shall be to AS/NZS 1554.1. All welds, except location tack welds, shall be SP category. Welding consumables shall be controlled hydrogen type: G493 to AS/NZS ISO 14341-B or T493 to AS/NZS ISO 17632-B. Reinforcing Steel welding shall be in accordance with Standard Drawing 1044.
- LIFTING ANCHORS shall be designed and installed in accordance with MRTS72. Lifting anchors shall be a TMR approved product.
- Dimensions are in millimetres unless shown otherwise.

ASSOCIATED DEPARTMENTAL DOCUMENTS:

Design Criteria for Bridges and Other Structures
Road Drainage Manual

REFERENCED DOCUMENTS:

- Departmental Specifications:
- MRTS03 Drainage, Retaining Structures and Protective Treatments
 - MRTS70 Concrete
 - MRTS71 Reinforcing Steel
 - MRTS72 Manufacture of Precast Concrete Elements
 - MRTS78 Fabrication of Structural Steelwork



Department of Transport and Main Roads		<p>© The State of Queensland (Department of Transport and Main Roads) 2017 http://creativecommons.org/licenses/by/3.0/au</p>	
CONCRETE GULLY			
PRECAST LINTEL DETAILS		A3	Standard Drawing No
		Not to Scale	1313
			Date 4/17