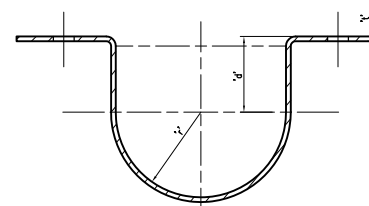
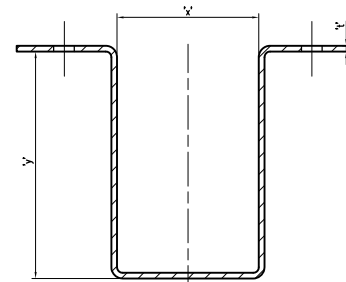


DETAIL A STIFFENER CONNECTION STRAP - TYPES 1 AND 2
SD 1363



STRAP - TYPE 1 (CHS/galv)



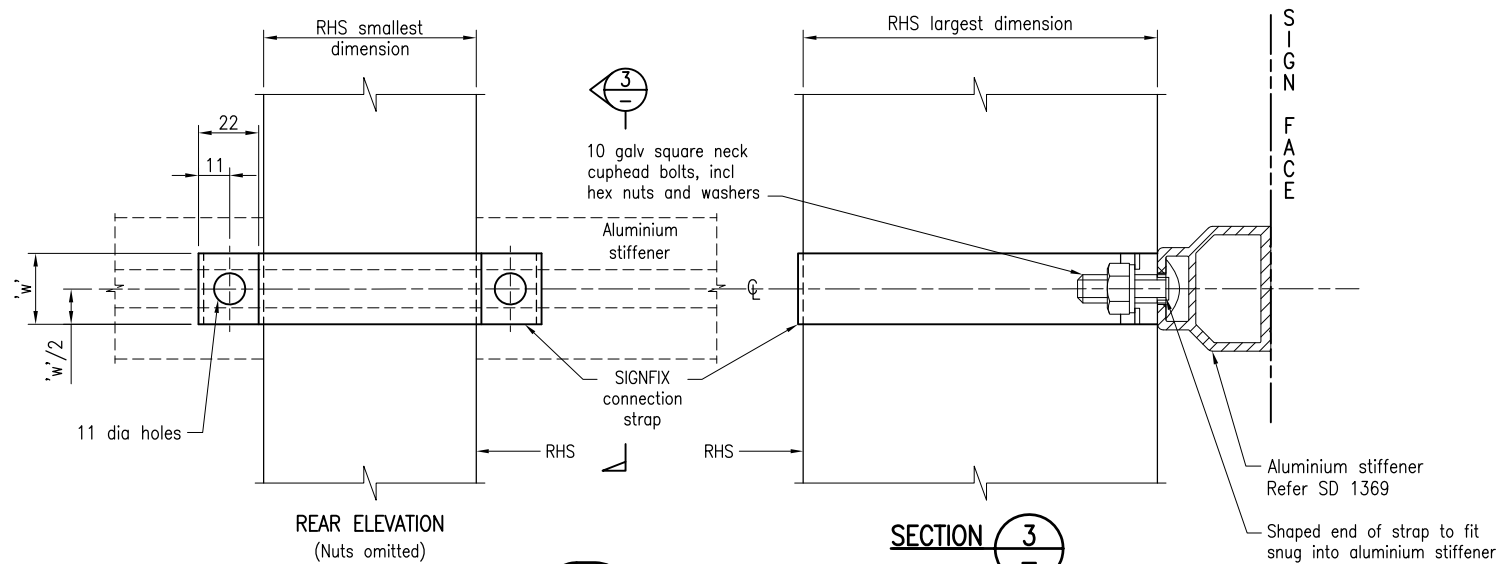
STRAP - TYPE 2 (RHS/galv)

SECTION 2 CONNECTION STRAP

NOTE: Refer Standard Drawing 1363 for 'Stiffener Connection Strap Design Criteria' for requirements for alternative strap types

CONNECTION STRAP DIMENSIONS

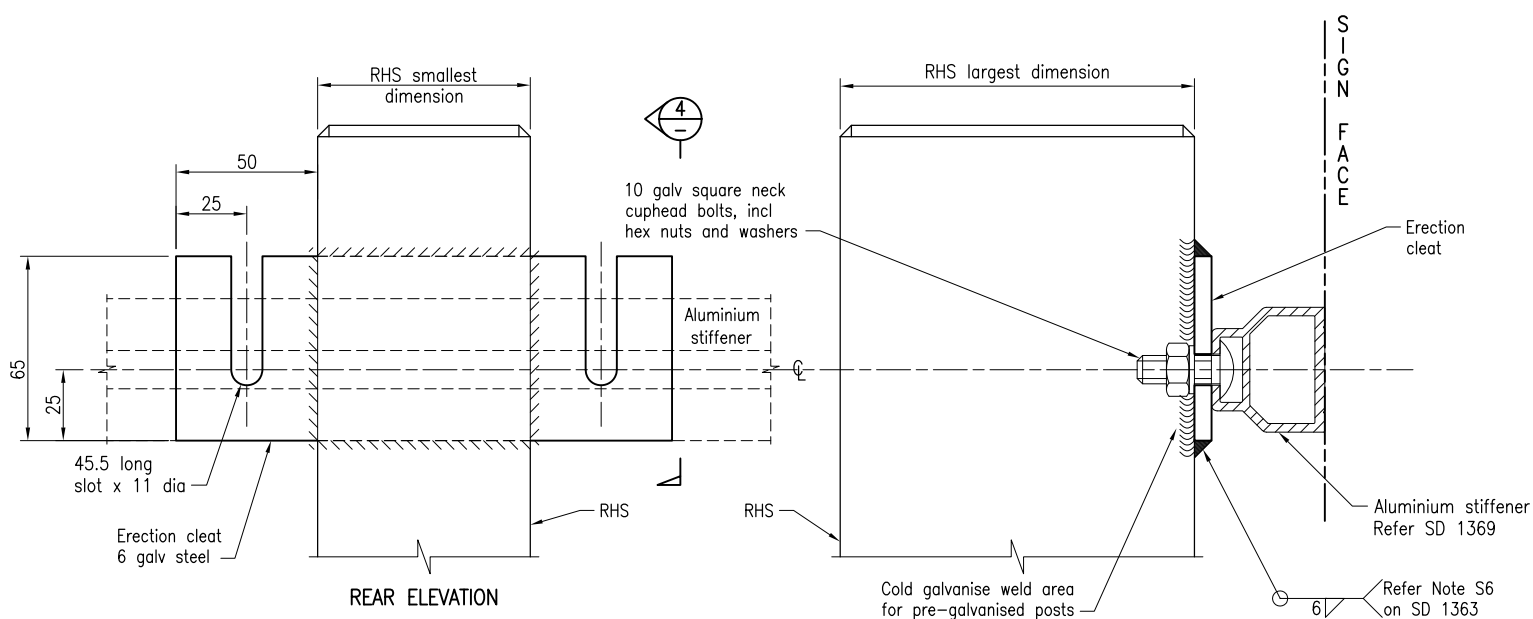
POST SPECIFICATION		CONNECTION STRAPS					
	Post dimensions	'r'	'd'	't'	'w'	Material	Type
CHS	60.3 OD	30	25	2.5	40	G450 Z275	Type 1
	76.1 OD	38	33	2.5	40	G450 Z275	
	88.9 OD	45	40	2.5	40	G450 Z275	
	101.6 OD	51	46	2.5	40	G450 Z275	
	114.3 OD	57	52	2.5	40	G450 Z275	
	139.7 OD	70	65	3.0	50	G450 Z275	
RHS	165.1 OD	83	78	3.0	50	G450 Z275	Type 2
	75 x 50	50	70	2.5	40	G450 Z275	
	100 x 50	50	95	2.5	40	G450 Z275	
	125 x 75	75	120	3.0	50	G450 Z275	
	150 x 100	100	145	3.0	50	G450 Z275	
200 x 100	100	195	3.0	50	G450 Z275		



DETAIL A STIFFENER CONNECTION 'SIGNFIX' STRAPS
SD 1363

STRAPS APPROVED BY TESTING

POST SPECIFICATION		CONNECTION STRAPS						
	Post dimensions	Strap profile	Supplier	Part No	'A'	'B'	'w'	Material
RHS	150 x 100		SIGNFIX	HRH 1510 CH with cuphead bolt and hex nut	155±2	104±2	25	304SS
	200 x 100				205±2	104±2	25	304SS



DETAIL B ERECTION CLEAT
SD 1363

Optional - RHS posts only Refer Note G5 on SD 1363

NOTES:

- Traffic sign connection straps and erection cleats shown in this drawing shall be fabricated in accordance with Standard Drawing 1363 and MRTS 14 and MRTS 78.
- Refer Standard Drawing 1363 all General Notes and Steel Notes.
- Dimensions are in millimetres unless shown otherwise.

REFERENCED DOCUMENTS:

- Departmental Standard Drawings:
 1363 Traffic Sign - Traffic Sign Support Standard and Breakaway Post Details
 1369 Traffic Sign - Details of Sign Stiffening Extrusion
- Departmental Specifications:
 MRTS14 Road Furniture
 MRTS78 Fabrication of Structural Steelwork

Department of Transport and Main Roads			© The State of Queensland (Department of Transport and Main Roads) 2015 http://creativecommons.org/licenses/by/3.0/au
TRAFFIC SIGN			
CONNECTION STRAP AND ERECTION CLEAT DETAILS		A3 Not to Scale	Standard Drawing No 1364 Date 10/15
		B	E