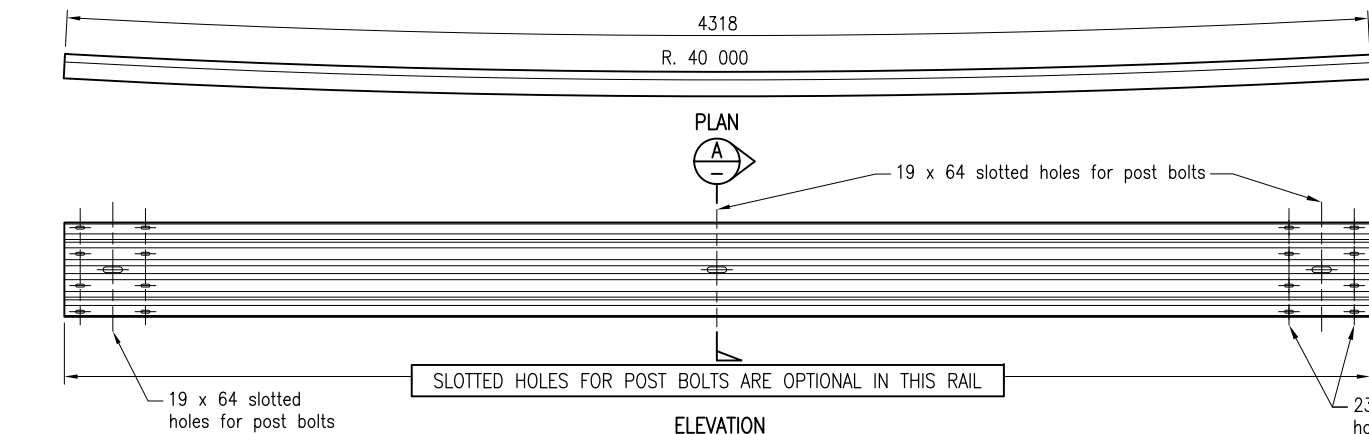
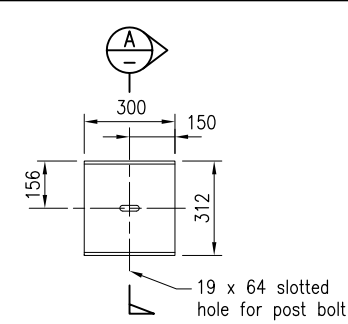


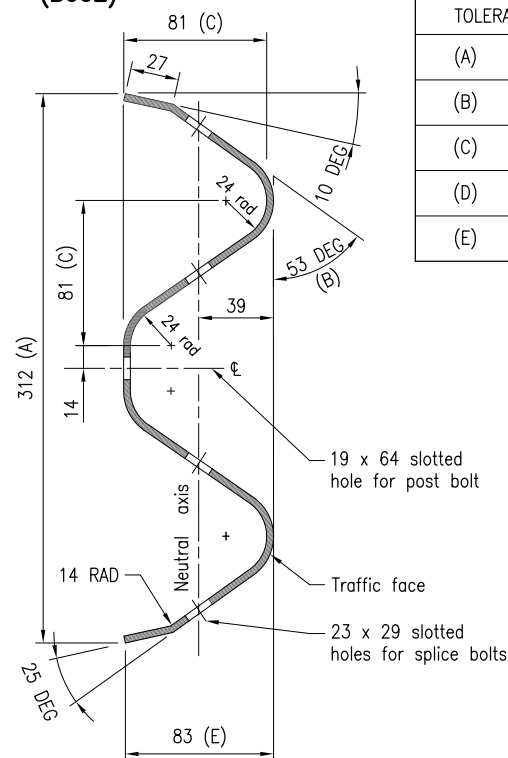
TERMINAL RAIL 1 - ANCHOR RAIL (B016)



TERMINAL RAIL 2 (B017)

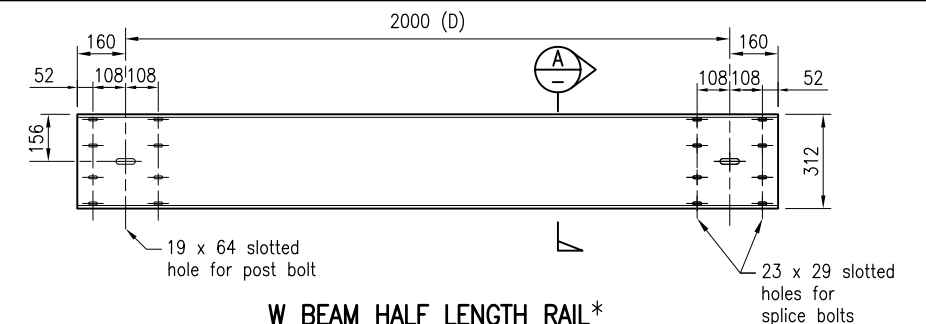


STIFFENER (B002)

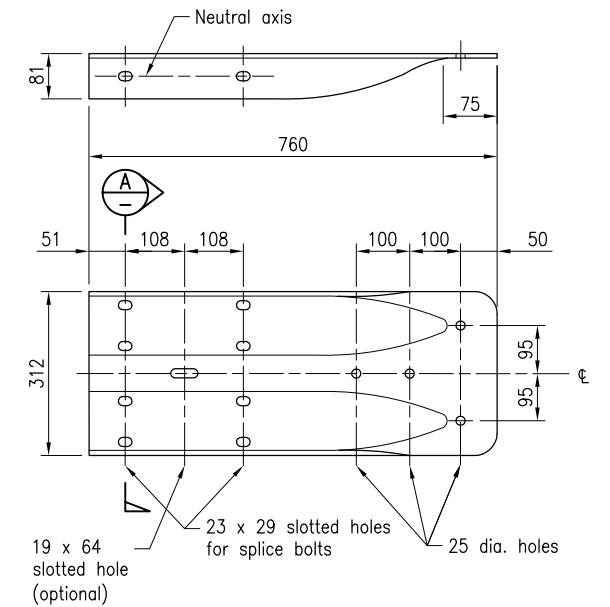


SECTION A-TYPICAL RAIL (Position of slotted holes shown are indicative only)

TOLERANCES	
(A)	+5mm -0mm
(B)	+3 DEG -0 DEG
(C)	+2mm -0mm
(D)	+2mm -2mm
(E)	+4mm -0mm



W BEAM HALF LENGTH RAIL* (B008)



W BEAM TERMINAL CONNECTOR (B005)

(Cross Section to nest with 'W' Beam)

NOTES:

- RAILS AND RAIL COMPONENTS are from 2.7 BMT Grade HA350 steel to AS/NZS 1594, treated to AS 1627 and hot dip galvanised to AS/NZS 4680 after fabrication. Flame cutting rails and rail components is not permitted. Rails and rail components to be stamped 350/2.7 BMT (or similar). BMT = Base Metal Thickness.
- TERMINAL CONNECTORS are used to attach W Beam to rigid barriers/structures. Dimensional tolerances not shown or implied are intended to be those consistent with the proper functioning of the part, including its appearance and accepted manufacturing practices.
- Tolerances and Dimensions as per AS/NZS 3845 or unless noted otherwise.
- DIMENSIONS are in millimetres unless otherwise shown.

ASSOCIATED DEPARTMENTAL DOCUMENTS:

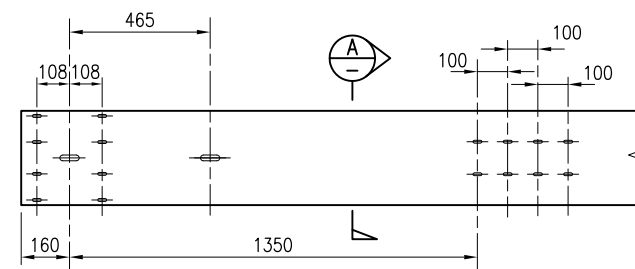
Standard Drawings Roads Manual
Main Roads Specifications and Technical Standards Manual

REFERENCED DOCUMENTS:

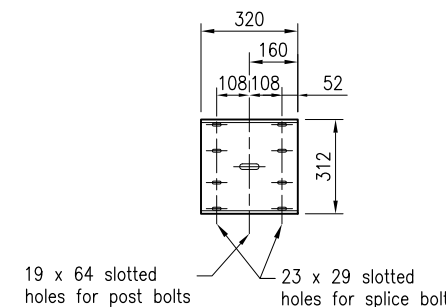
Departmental Standard Specifications:
MRTS14 Road Furniture

Australian Standards:

AS/NZS 3845 Road Safety Barrier Systems



SETOUT DIMENSIONS ON ANCHOR RAIL BEFORE CURVING



BRIDGE ENDPOST CONNECTION BRACKET (B013)

(For welding to bridge endpost)

Department of Transport and Main Roads				© The State of Queensland (Department of Transport and Main Roads) 2013 http://creativecommons.org/licenses/by/3.0/au	
STEEL BEAM GUARDRAIL				A3	Standard Drawing No
FABRICATION DETAILS FOR W BEAM RAILS AND RAIL COMPONENTS		Not to Scale	1480		
			Date 12/13		
A	B	C			