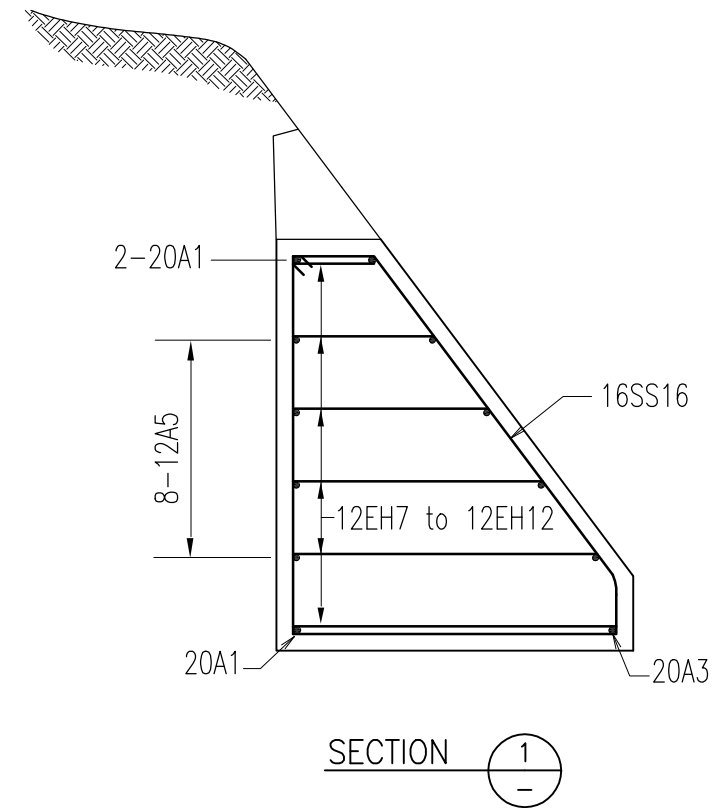
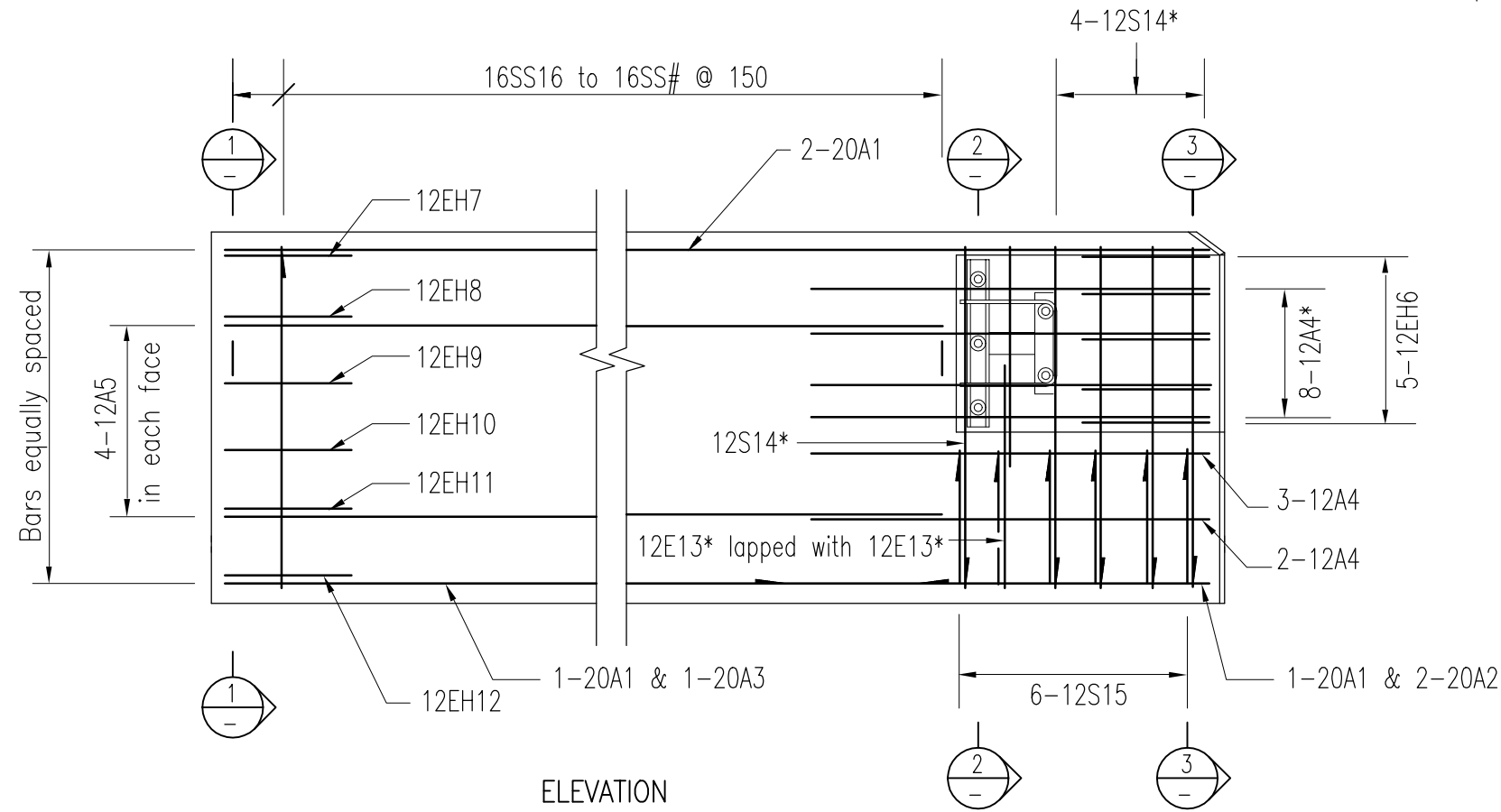


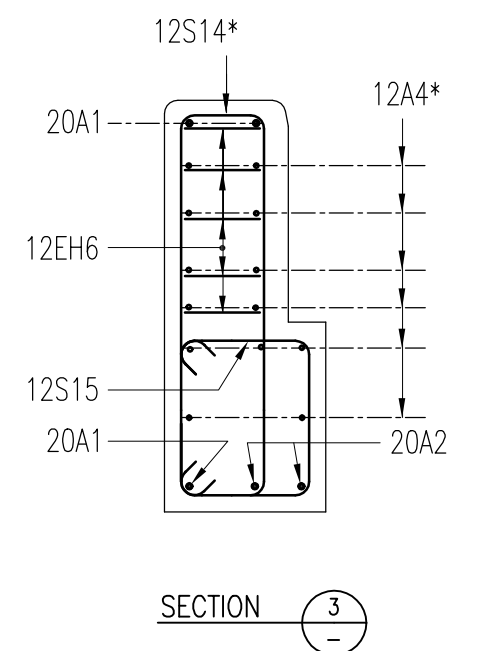
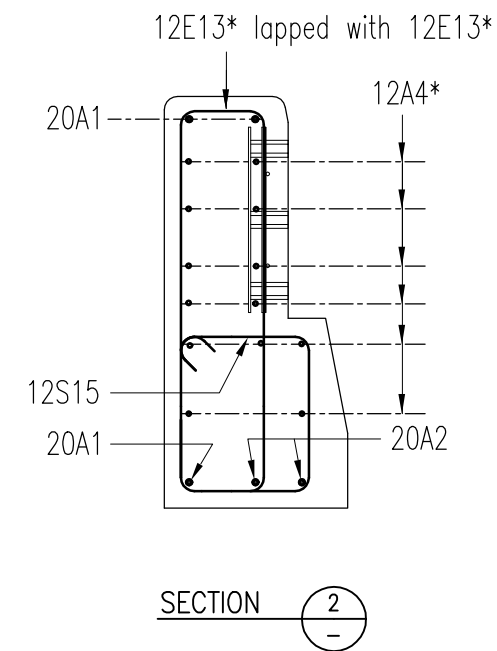
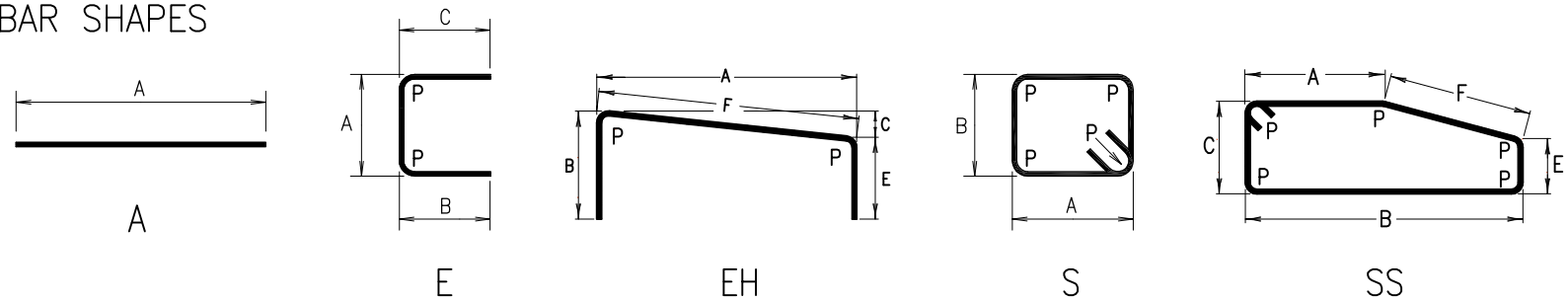
* Bars spaced through anchor assembly as shown



MARK	20A1	20A2	20A3	12A4	12A5	12EH6	12EH7	12EH8	12EH9	12EH10	12EH11	12EH12	12E13	12S14	12S15	16SS16 to 16SS#	
DIMENSION A	#	1450	#	1200	#	155	#	#	#	#	#	#	180	1000	410	#	#
DIMENSION B	-	-	-	-	-	375	375	375	375	375	375	375	660	180	290	#	#
DIMENSION C	-	-	-	-	-	27	#	#	#	#	#	#	660	-	-	1000	1000
DIMENSION E	-	-	-	-	-	375	375	375	375	375	375	375	-	-	-	#	#
DIMENSION F	-	-	-	-	-	157	#	#	#	#	#	#	-	-	-	#	#
PIN DIA. P	-	-	-	-	-	48	48	48	48	48	48	48	48	48	48	64	64
CUTTING LENGTH	#	1450	#	1200	#	860	#	#	#	#	#	#	1450	2515	1560	#	#
No. OFF	3	2	1	13	8	5	1	1	1	1	1	1	2	5	6	1 for each bar no.	

Dimensions and variable bar numbers are to be as shown on the drawing

BAR SHAPES



NOTES:

- REINFORCING STEEL to be Australian made grade D500N to AS/NZS 4671.
- COVER TO REINFORCING STEEL (unless shown otherwise) to be 45mm Exposure Classification B1.

ASSOCIATED DOCUMENTS:

Department of Main Roads Manual of Standard Drawings Roads
 Department of Main Roads Manual of Standard Specifications Roads.
Australian Standards:
 AS/NZS 4671 Steel Reinforcing Materials

1485

STEEL BEAM GUARDRAIL		Size A3	Drawing No
REINFORCING DETAILS FOR CONCRETE TERMINAL BLOCK		Scales as shown	1485
			Date 2/02