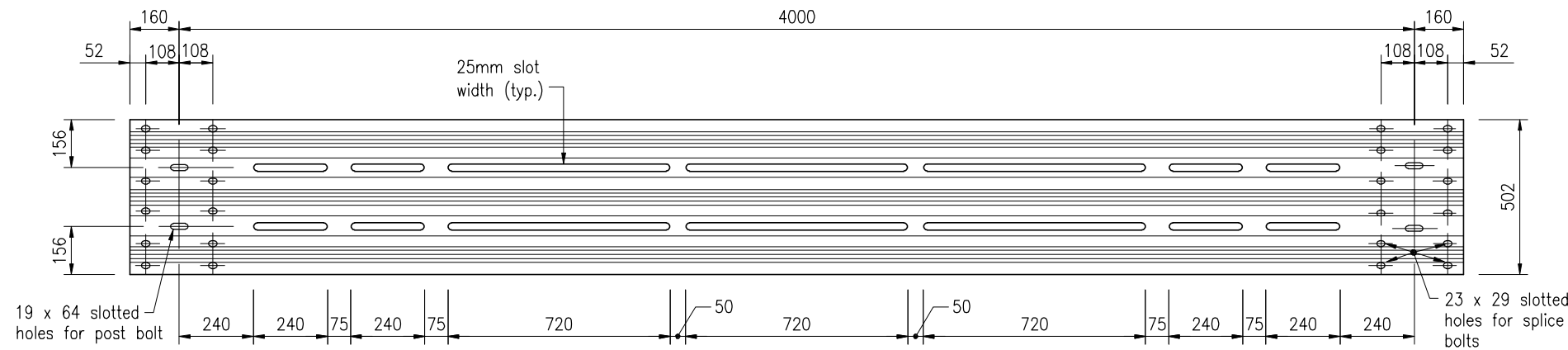
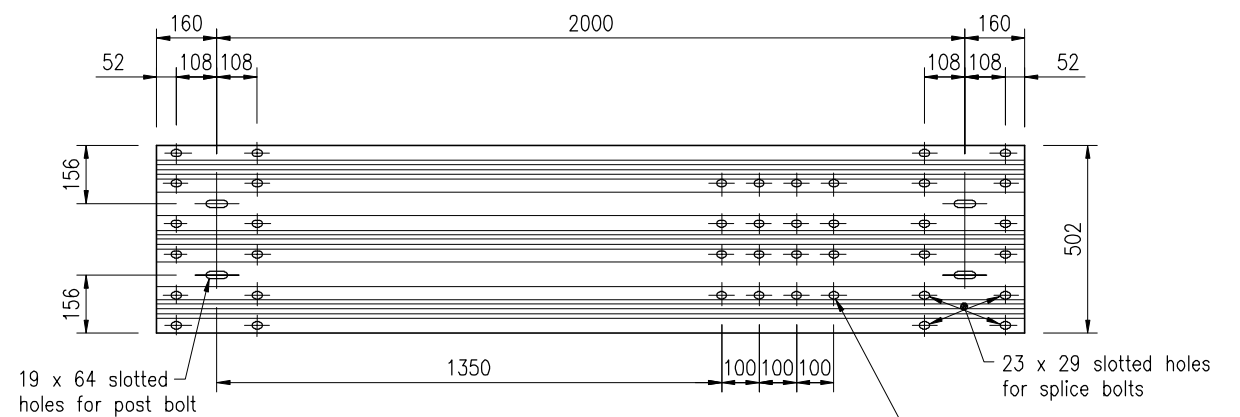


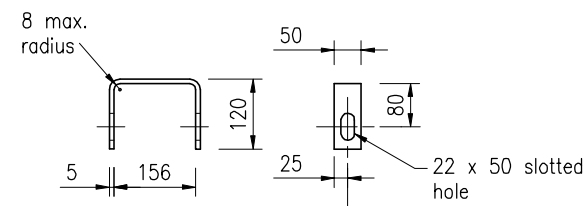
SLOTTED THRIE BEAM RAIL (B020)  
SETOUT PLAN FOR CURVING



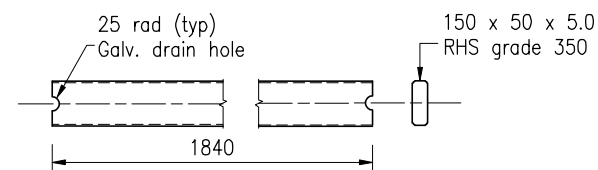
SLOTTED THRIE BEAM RAIL (B020)  
SETOUT DIMENSIONS BEFORE CURVING



THRIE BEAM HALF LENGTH  
CABLE ANCHOR RAIL (B021)

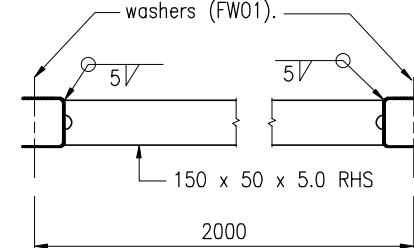


YOKE DETAILS

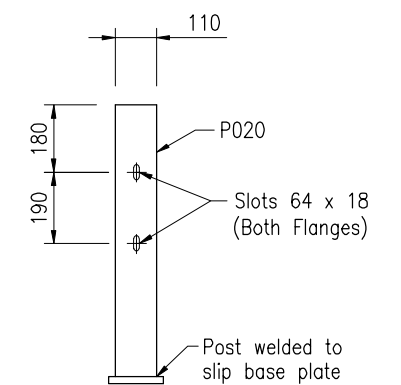
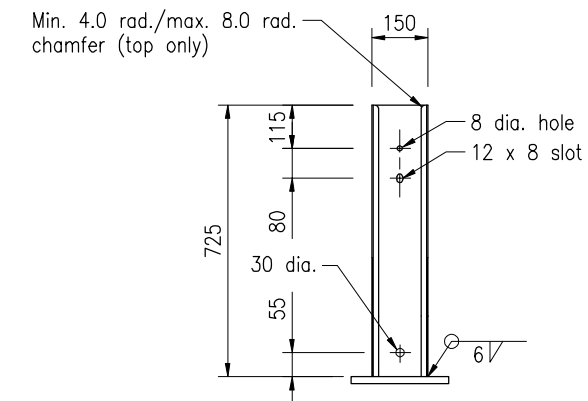


STRUT DETAILS

M20x200 hex. bolts (FB06) with  
M20 nut (FN04) and 2/20 dia.  
washers (FW01).



STRUT AND YOKE ASSEMBLY (P021)



THRIE BEAM SLIP BASE POSTS  
TOP (P020)

NOTES:

- RAILS are from 2.7 BMT Grade HA350 steel to AS/NZS 1594, treated to AS 1627 and hot dip galvanized to AS/NZS 4680 after fabrication. Rails are to be stamped 350/2.7 BMT (or similar). BMT = Base Metal Thickness.
- POSTS are from 4.3 BMT plate grade HA300 in accordance with AS/NZS 1594. Posts to be welded to slip base plates in accordance with AS/NZS 1554.1. Weld splatter and welding slag to be removed. Posts and plates to be treated to AS 1627 and hot dip galvanized to AS/NZS 4680 after fabrication.
- STRUT AND YOKE ASSEMBLY to have weld splatter and welding slag removed prior to hot dip galvanizing to AS/NZS 4680.
- FLAME CUTTING of components is not permitted.
- DIMENSIONS are subject to manufacturer's tolerances except where allowable tolerances are nominated.
- ASSOCIATED STANDARD COMPONENTS:
  - Shelf angle: Refer std. dwg. 1476.
  - Slip base plates, slip base post bottom (P013), bearing plate and post section: Refer std. dwg. 1477.
  - Anchor bracket (B015) and delineation units: Refer std. dwg. 1478.
  - Bolts, nuts, washers and cable assembly: Refer std. dwg. 1479.
  - W beam rails and rail components: Refer std. dwg. 1480.
  - Thrie beam rails and rail components: Refer std. dwg. 1481.

7. ALL DIMENSIONS are in millimetres unless otherwise shown.

ASSOCIATED DOCUMENTS:

Department of Main Roads Manual of Standard Drawings Roads  
Department of Main Roads Manual of Standard Specifications Roads

REFERENCED DOCUMENTS:

- Standard Drawings:
- 1476 Steel Beam Guardrail - Terminal Components
  - 1477 Steel Beam Guardrail - Posts and Blockouts, Soil and Bearing Plates, Slip Base Plate.
  - 1478 Steel Beam Guardrail - W Beam Anchor Bracket - Delineation Unit - Post on Base Plate - Abraham Blockout.
  - 1479 Steel Beam Guardrail - Bolts, Nuts, Screws and Washers, Cable Assembly with Fasteners
  - 1480 Steel Beam Guardrail - Fabrication Details for W Beam Rails and Rail Components
  - 1481 Steel Beam Guardrail - Fabrication Details for Thrie Beam Rails and Rail Components.

Standard Specifications:

Road Furniture  
Australian Standards:  
AS/NZS 3845 Road Safety Barrier Systems

STEEL BEAM GUARDRAIL			
THRIE BEAM BULLNOSE COMPONENTS		Size A3	Drawing No
		Scales	1489
		as shown	Date 3/04
			A