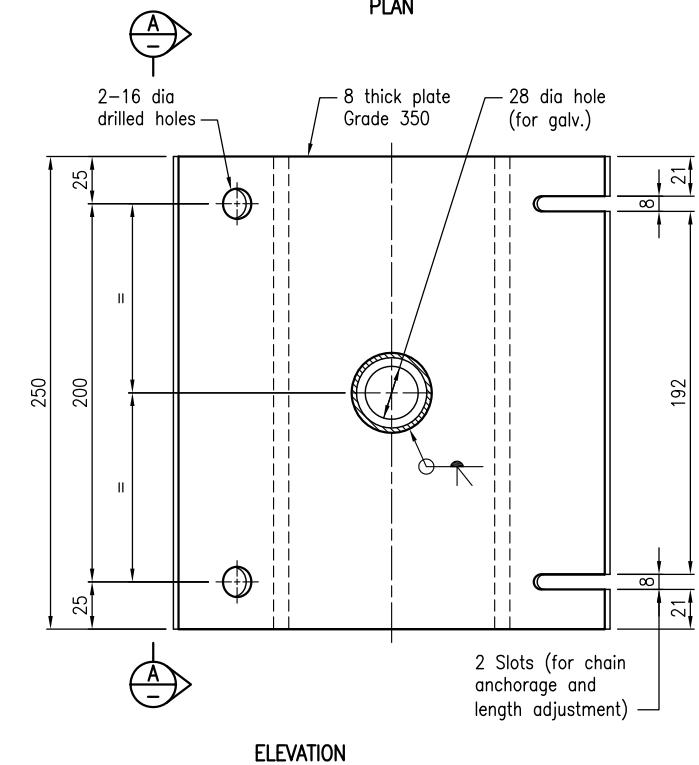
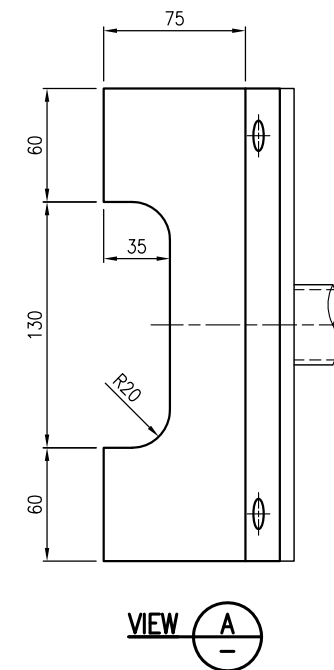
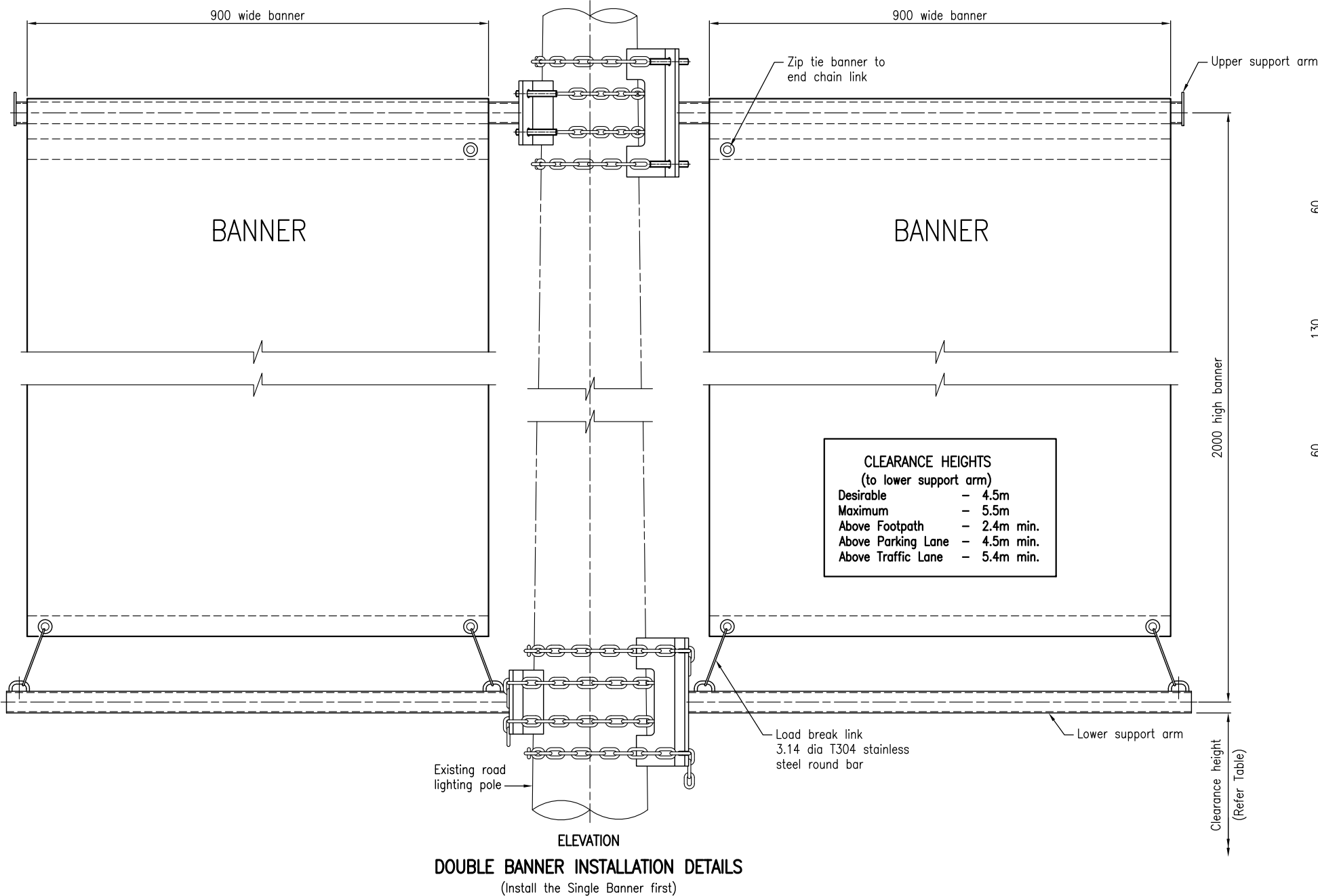
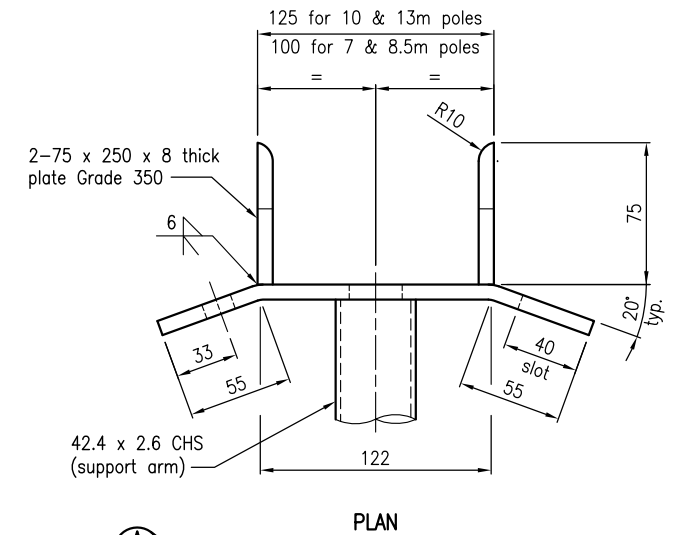


Refer DRAWING 1 for single banner installation, support details and notes



**POLE MOUNTING BRACKET DETAIL
DOUBLE BANNER -
UPPER & LOWER SUPPORT ARMS**

BANNERS ON LIGHT POLES		Queensland Government	
		Department of Transport and Main Roads	
2 METRE BANNER INSTALLATION AND SUPPORT DETAILS DRAWING 2 OF 2		A3 Not to Scale A	Standard Drawing No 1518 Date 10/10