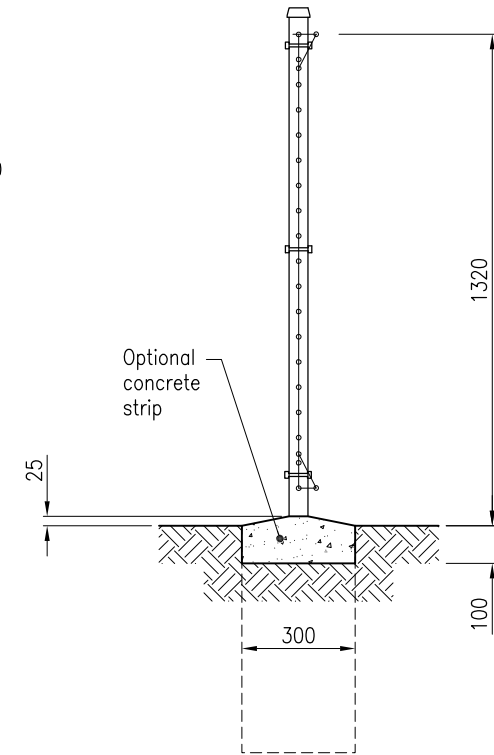


ELEVATION



SECTION A-A

NOTES:

1. Posts to be 50 x 50 x 3.0 (1900 long) galvanized square hollow section Grade C350L0 to AS/NZS 1163.
2. Galvanized welded mesh panels to be 2400 x 1220 with 4mm wires at 50 (horizontal) and 75mm (vertical) centres to AS 2423.
3. Panels to be fixed to posts using standard galvanized clips and galvanized M8 bolts.
4. Bolts, nuts and washers to be hot-dip galvanized to AS/NZS 1214.
5. All steelwork including welded mesh panels and fittings to be hot-dip galvanized to AS/NZS 4680.
6. Concrete Grade: N25/20
7. Posts are to be vertical.
8. Raked Panels are available for slopes up to 1 on 5.
9. Nuts to be spot welded to bolts as an anti-theft deterrent. Cold galvanizing to be applied to weld.
10. Dimensions are in millimetres unless shown otherwise.

ASSOCIATED DEPARTMENTAL DOCUMENTS:



Standard Drawings
Specifications

REFERENCED DOCUMENTS:

Departmental Specifications:
MRTS14 Road Furniture
MRTS70 Concrete

Australian Standards:

AS/NZS 1163 Cold-Formed Structural Steel Hollow Sections
AS 1214 Hot-dip Galvanized Coatings on Threaded Fasteners (ISO Metric Coarse Thread Series)
AS 2423 Coated Steel Wire fencing products for Terrestrial, Aquatic and General Use
AS/NZS 4680 Hot-dip Galvanized (Zinc) Coatings on Fabricated Ferrous Articles

Department of Transport and Main Roads		 <small>© The State of Queensland (Department of Transport and Main Roads) 2013 http://creativecommons.org/licenses/by/3.0/au</small>	
FENCING			
GALVANIZED WELDED MESH FENCING		A3 Not to Scale	Standard Drawing No 1604 Date 6/14
A	B	C	