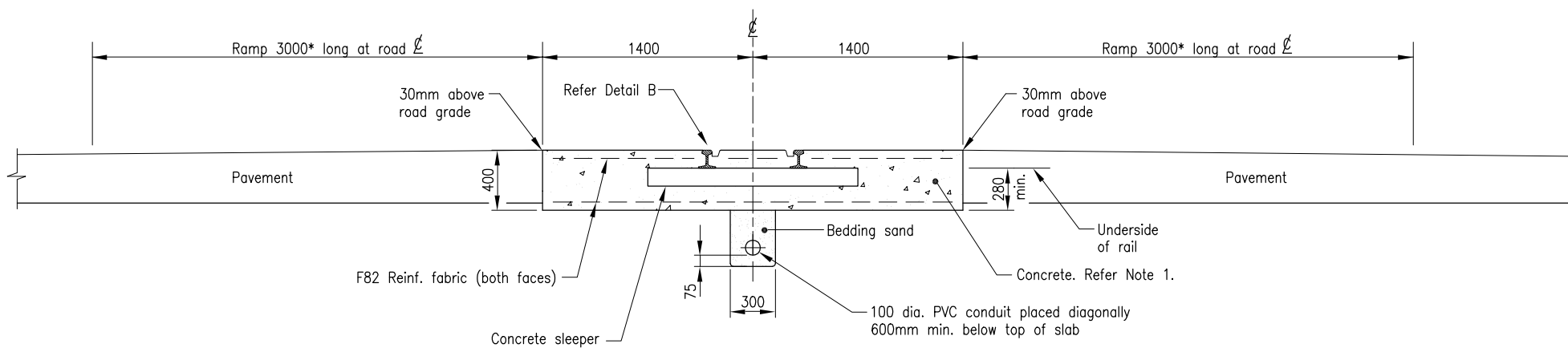


\* Ramp 30mm in 3000mm (1%) applies at road centre line. Refer Note 5.

CROSS SECTION  
ASPHALT PAVED CROSSING



\* Ramp 30mm in 3000mm (1%) applies at road centre line. Refer Note 5.

CROSS SECTION  
CONCRETE CROSSING

NOTES :

1. CONCRETE CLASS to be 40MPa/20.
2. COVER TO REINFORCING FABRIC to be 55mm.
3. DESIGN LOADING:  
BOGIE LOCOMOTIVE (Static load).
4. OVER EXCAVATION OF PAVEMENT shall be back filled with compacted pavement material as specified.
5. PAVEMENT AND SHOULDER EDGES of the ramp shall be constructed so that the rate of rotational change from road cross fall profile to the level and profile of the crossing is as shown on the drawings.
6. RAILS, GUARD PLATE ASSEMBLIES AND PRECAST CONCRETE SLEEPERS: refer to "Guide to Cane Railway Engineering" for details and construction procedures.
7. TRAFFIC CONTROL DEVICES shall comply with the requirements of Part 7, Railway Crossings, in the Manual of Uniform Traffic Control Devices.
8. TYPICAL REINFORCING FABRIC LAP DETAIL:

9. DIMENSIONS are in millimetres unless shown otherwise.

ASSOCIATED DOCUMENTS:  
 Department of Main Roads Manual of Standard Drawings Roads  
 Department of Main Roads Manual of Standard Specifications Roads  
 Department of Main Roads Manual of Uniform Traffic Control Devices

REFERENCED DOCUMENTS:  
 Standard Specifications:  
 Drainage, Retaining Structures and Protective Treatments

Australian Standards:  
 AS 1304 Welded Wire Reinforcing Fabric for Concrete

Guides:  
 Guide to Cane Railway Engineering (Sugar Research Institute, Mackay Qld).

CANE RAILWAY CROSSINGS			
ASPHALT PAVED AND CONCRETE	Size A3	Drawing No	
	Scales as shown	881	
		Date	9/00
		A	B