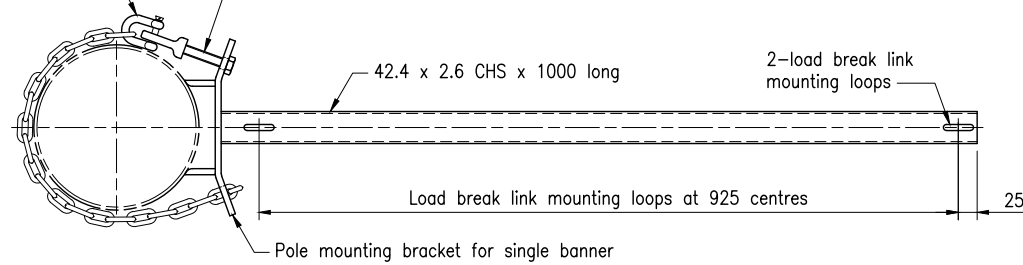


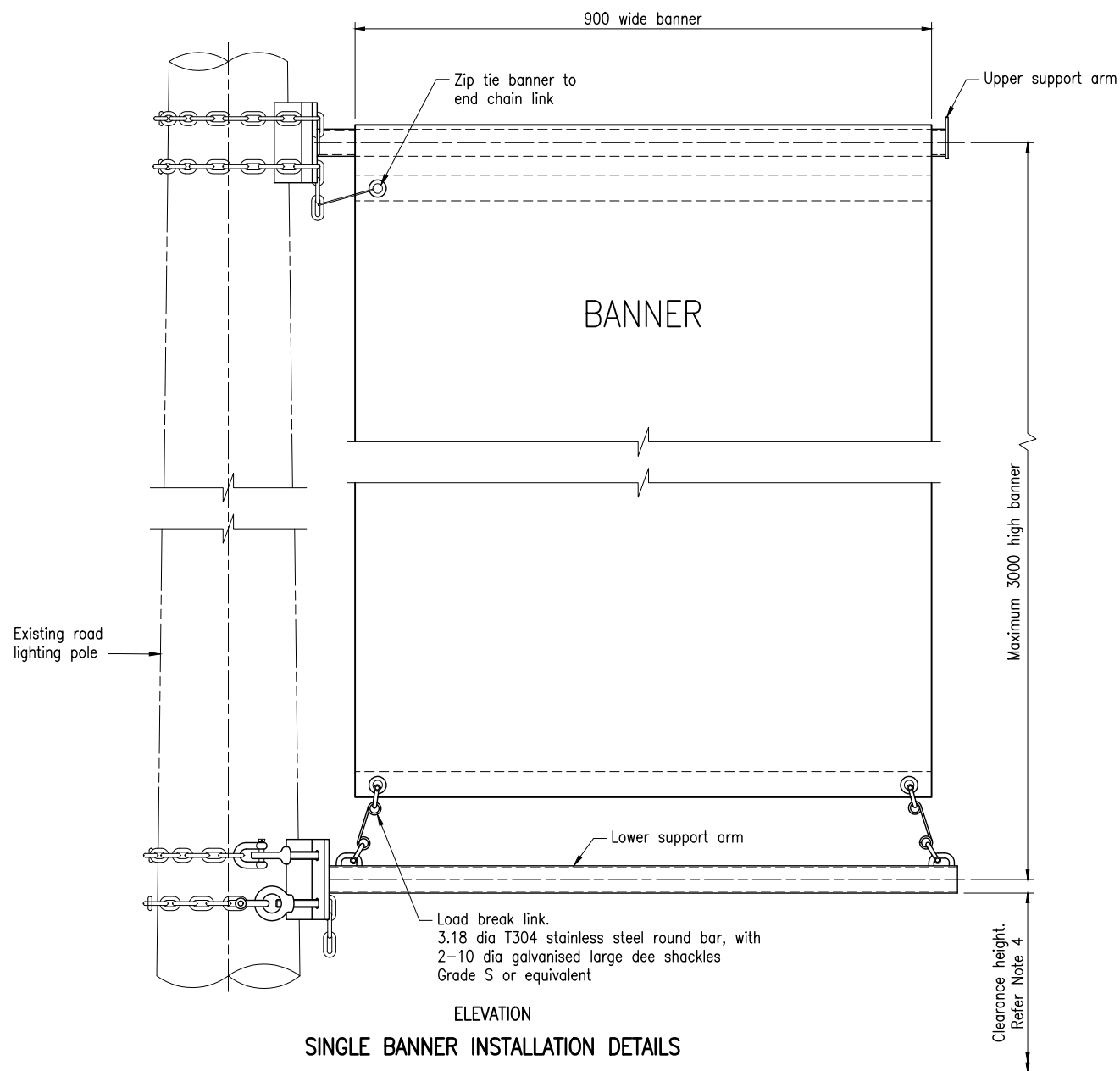
PLAN - UPPER SUPPORT ARM FOR SINGLE BANNER

10 dia galvanised large dee shackle Grade S or equivalent, to link chain to eyenut

M12 galv eyenut with M12 bolt Class 8.8 x 75 long. 2 Off at each support arm

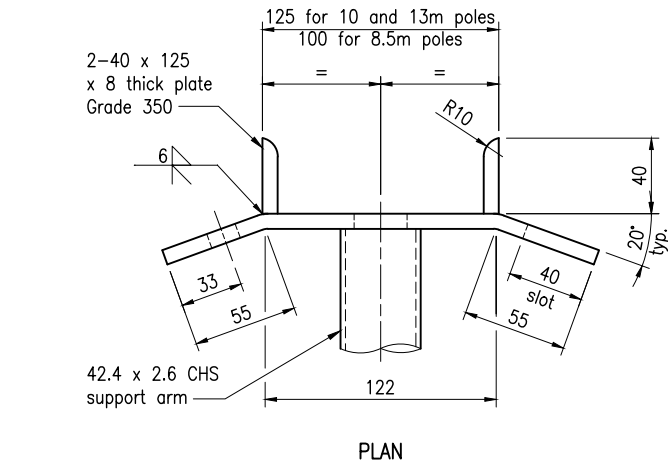


PLAN - LOWER SUPPORT ARM FOR SINGLE BANNER

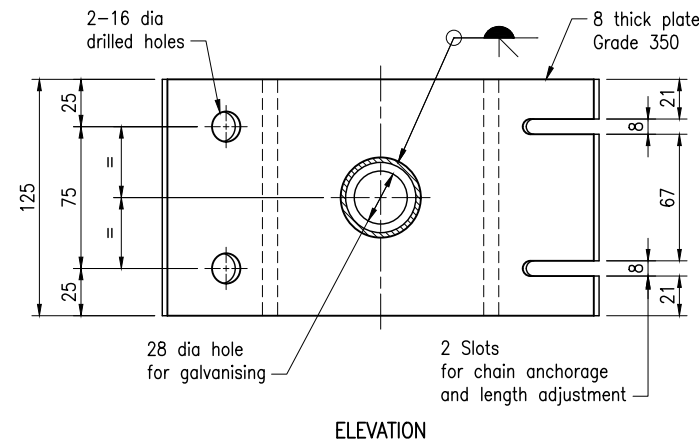


ELEVATION

SINGLE BANNER INSTALLATION DETAILS

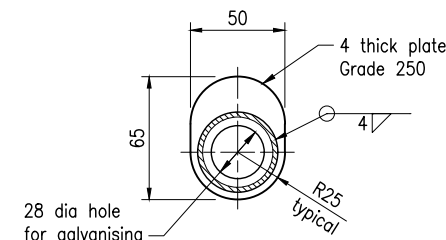


PLAN



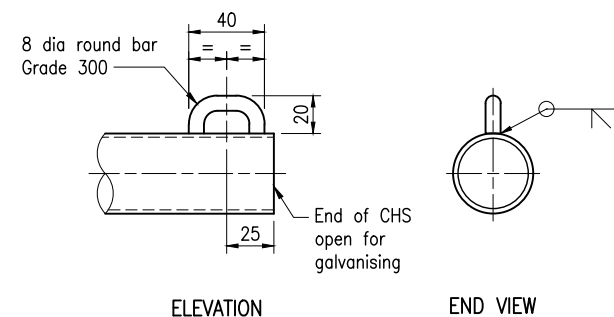
ELEVATION

POLE MOUNTING BRACKET DETAIL FOR SINGLE BANNER - UPPER AND LOWER SUPPORT ARMS



ELEVATION

END PLATE DETAIL - UPPER SUPPORT ARM



ELEVATION

END VIEW



LOAD BREAK LINK MOUNTING LOOP DETAIL - LOWER SUPPORT ARM

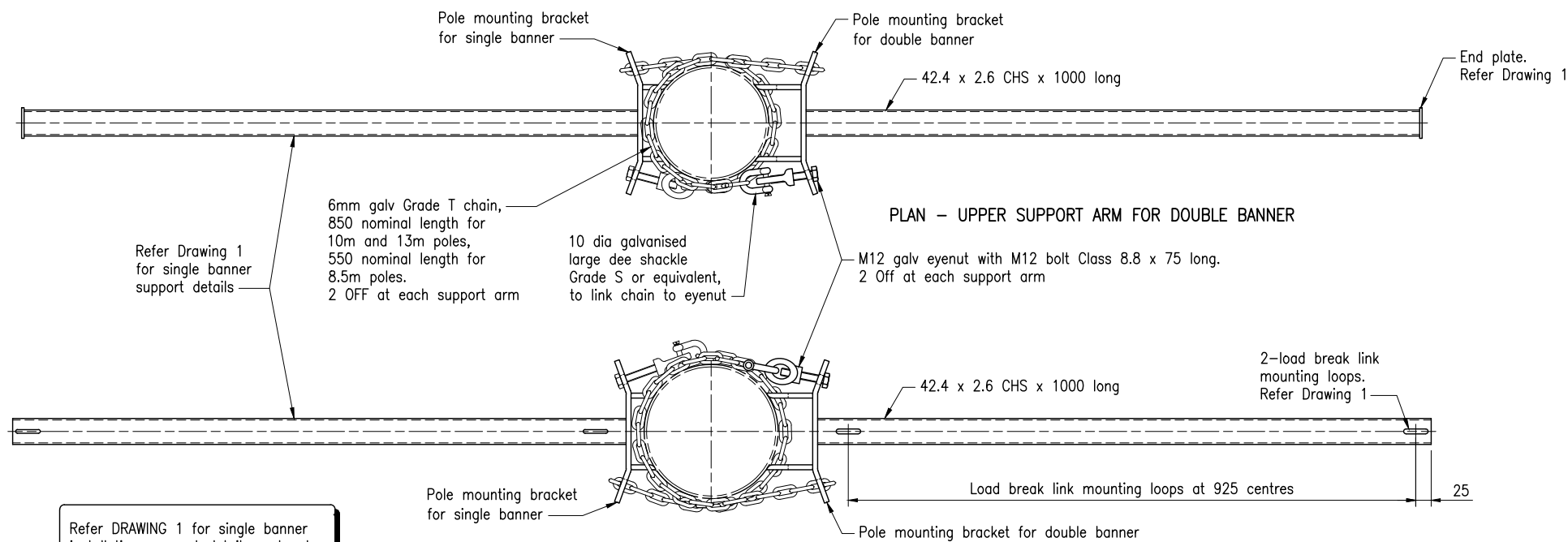
NOTES:

- SCOPE: This drawing provides installation and support details for affixing permitted single or double banners on permitted TMR Base Plate Mounted road lighting poles in accordance with TN69 Banners on Light Poles.
- The permitted banner configurations that may be installed on permitted road lighting poles are specified in TN69.
- THIRD PARTY PROPONENTS intending to install banners on TMR assets shall seek the required approvals as specified in TN69.
- CLEARANCE HEIGHTS to lower support arm shall be as specified in TN69.
- STEELWORK shall be fabricated to MRTS78. Steel plate shall be Grade 250 minimum to AS/NZS 3678. CHS tube shall be Grade C350L0 to AS/NZS 1163. Steel plate and CHS shall be hot-dip galvanized to AS/NZS 4680. Prior to galvanizing, all weld splatter and welding slag shall be removed. Galvanized eyenuts WLL 0.34t to DIN 582. Bolts Class 8.8 to AS/NZS 1252 and hot dip galvanized to AS 1214. Galvanized chain shall be Grade T to AS 2321. Stainless Steel round bar to ASTM A276.
- WELDING symbols to conform to AS 1101.3. AS 1101.3. All welding shall be SP category to AS 1554.1. Welding consumables shall be controlled hydrogen type: G493 to AS/NZS ISO 14341-B or T493 to AS/NZS ISO 17632-B.
- DIMENSIONS are in millimetres.

REFERENCED DEPARTMENTAL SPECIFICATIONS AND TECHNICAL NOTES:

- TN69 Technical Note 69 - Banners on Light Poles
- MRTS78 Fabrication of Structural Steelwork
- MRTS97 Mounting Structures for Roadside Equipment

Department of Transport and Main Roads		 	
BANNERS ON LIGHT POLES		© The State of Queensland (Department of Transport and Main Roads) 2022 https://creativecommons.org/licenses/by/4.0/	
BANNER INSTALLATION AND SUPPORT DETAILS DRAWING 1 OF 2 - SINGLE BANNER UP TO 3m HIGH		A3 Not to Scale	Standard Drawing No 1518 Date 7/2022
A	B		

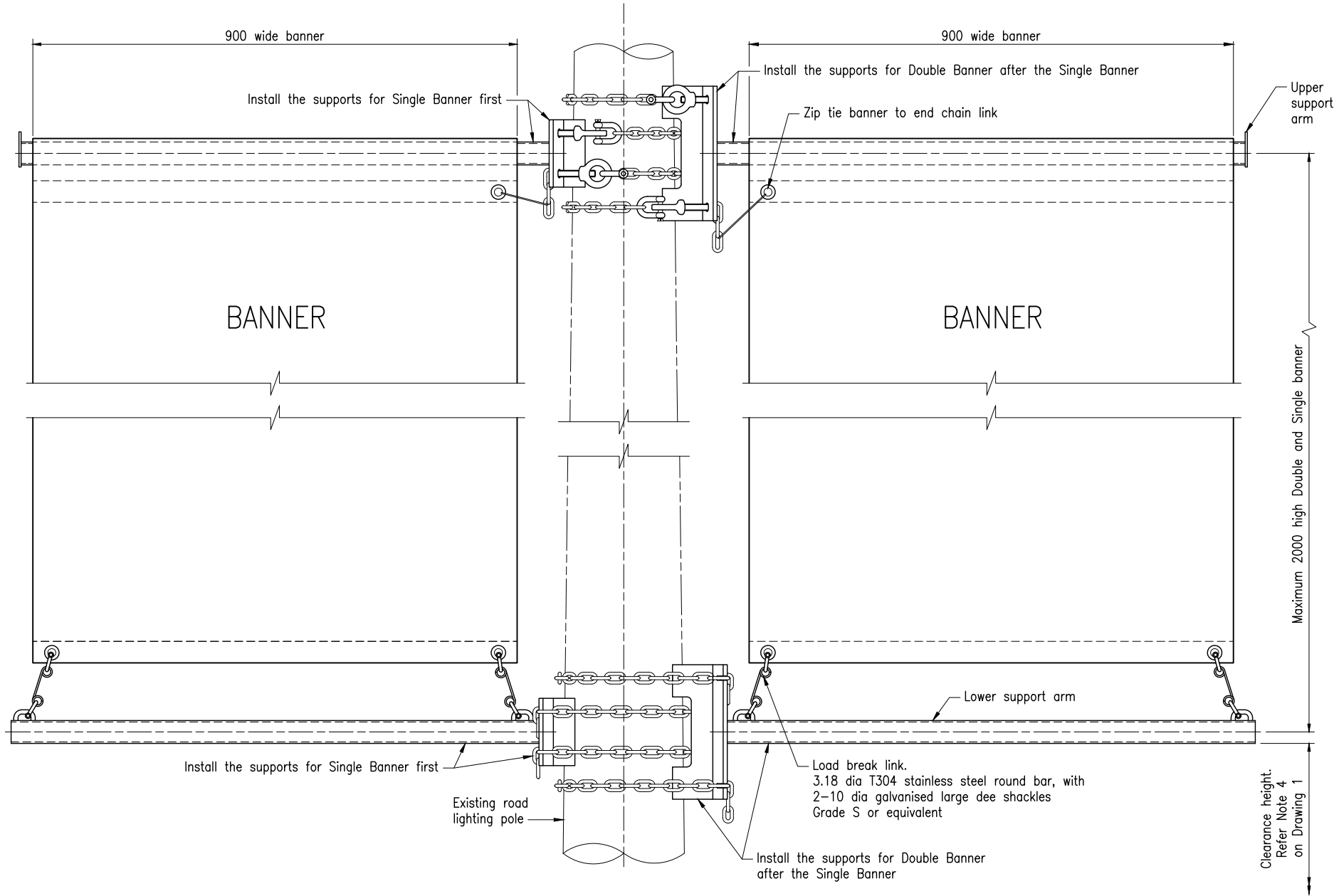


PLAN - UPPER SUPPORT ARM FOR DOUBLE BANNER

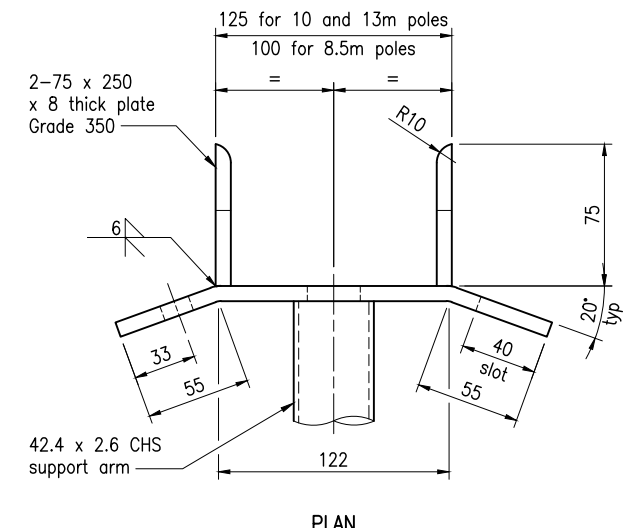


PLAN - LOWER SUPPORT ARM FOR DOUBLE BANNER

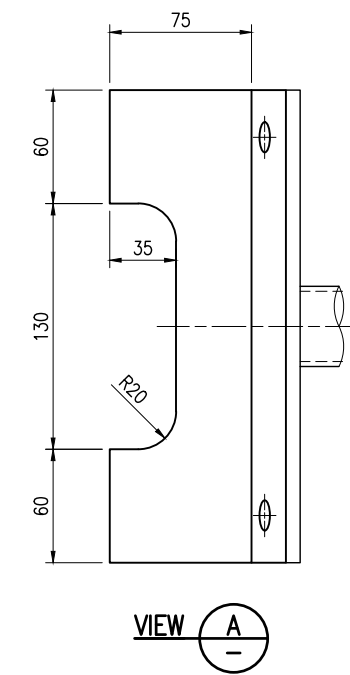
Refer DRAWING 1 for single banner installation, support details and notes



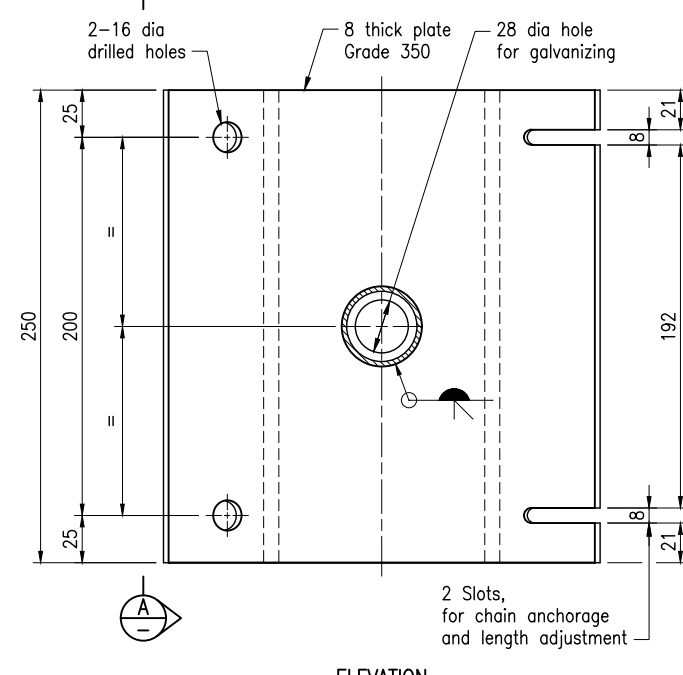
ELEVATION
DOUBLE BANNER INSTALLATION DETAILS



PLAN



VIEW A



ELEVATION

POLE MOUNTING BRACKET DETAIL FOR DOUBLE BANNER
- UPPER AND LOWER SUPPORT ARMS

- NOTES:**
1. For all Notes refer Drawing 1.
 2. Refer Drawing 1 for single banner installation details.
 3. Refer Drawing 1 for Pole Mounting Bracket details for Single Banner, End Plate detail and Load Break Link Mounting Loop detail.

Department of Transport and Main Roads			
BANNERS ON LIGHT POLES			
BANNER INSTALLATION AND SUPPORT DETAILS DRAWING 2 OF 2 - DOUBLE BANNER UP TO 2m HIGH		A3 Not to Scale	Standard Drawing No 1518 Date 7/2022
A	B		