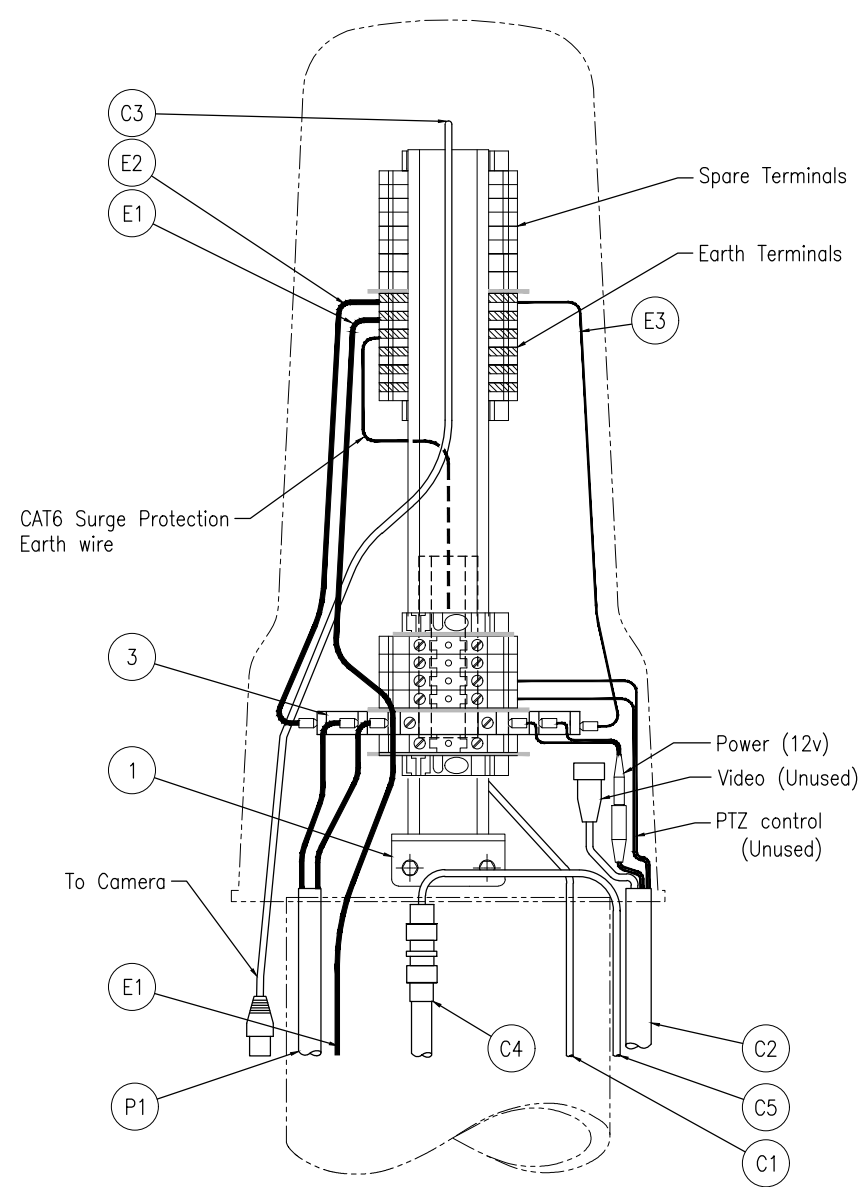
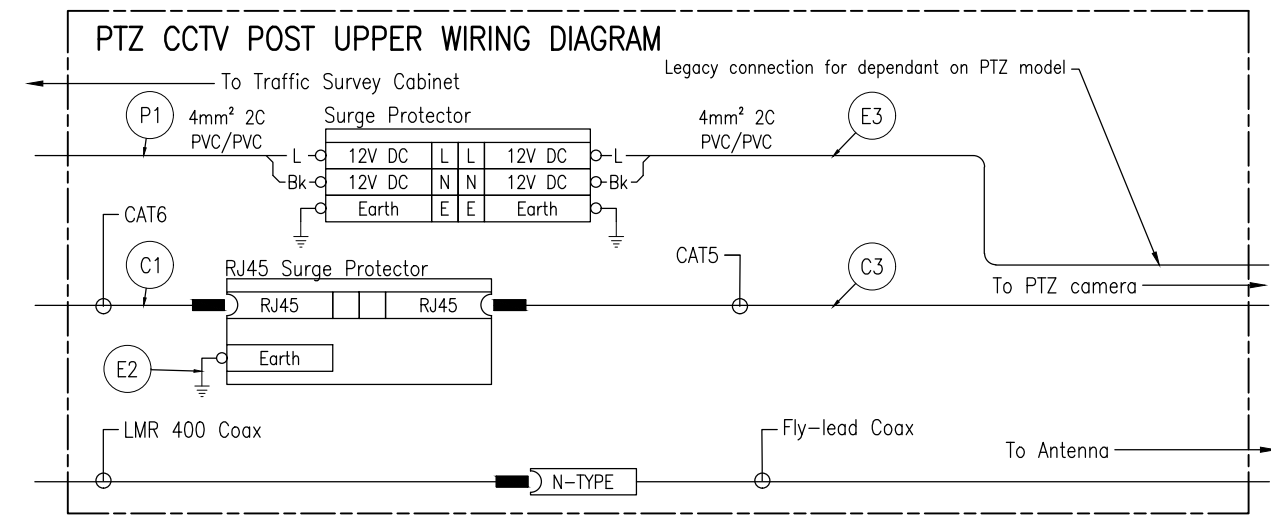


SIDE VIEW



BACK VIEW



NOTES:

1. Remove supplied terminals labeled 1 to 30.
2. CAT6 Surge Protector to be affixed to DIN rail mount clip.
3. BNC coaxial and DC power connectors to be wrapped in self adhesive tape for water ingress protection.
4. All cables travel through the cable support (Jubilee Clip) in the upper mounting split shell assembly.

ASSOCIATED DEPARTMENTAL DOCUMENTS:

Standard Drawings
Specifications

REFERENCED DOCUMENTS:

Departmental Standard Drawings:
1635 Traffic Signals – Upper Mounting Assembly and Split Shell Assembly
1901 ITS – Traffic Survey Cabinet Base Installation Details
1902 ITS – Traffic Survey PTZ CCTV Multi-purpose Camera Post Typical Details
1905 ITS – Traffic Survey Cabinet Typical Details

Departmental Standard Specifications:

MRTS203 Provision of Weigh-in-Motion System
MRTS207 Traffic Survey Foundation Equipment
MRTS250 Provision of Automatic Number Plate Recognition System

CABLE DETAILS

CABLE ID	SIZE/TYPE	FROM	SUPPLY CONNECTOR	LABEL	TO	EQUIP CONNECTOR	LENGTH	COMMENTS
C1	CAT6 PE Black	Traffic Survey Cabinet	RJ45	PTZ Comms	RJ45 Surge	RJ45	15m RJ45 to RJ45	Refer Standard Drawing 1905, sheet 3 Cable C18
C2	PTZ camera cable	PTZ camera	Terminated in camera	PTZ Cam	Terminals	BNC & Bootlace	1m	Power (12VDC), Video and PTZ control bundled cables. Video and PTZ control cables unused.
C3	CAT5 patch lead	PTZ camera	RJ45	PTZ	RJ45 surge	RJ45	1m Patch lead	
C4	LMR 400 50Ω Coaxial cable	Traffic Survey Cabinet	N-Type	Antenna	N-Type Connector	N-Type	15m N-Type to N-Type	Refer Standard Drawing 1905, sheet 3, Cable C1A. Refer Standard Drawing 1902.
C5	Antenna fly lead	Antenna	N-Type	Antenna	N-Type Connector	N-Type	Refer manufacturer spec	Refer Standard Drawing 1902 Equip. ID 2
P1	4mm ² 2C PVC/PVC	Traffic Survey Cabinet	4mm ² Bootlace	PTZ Power	Power Surge Protector	4mm ² Bootlace	15m Bootlace to Bootlace	12VDC – Refer Standard Drawing 1905, sheet 3, Cable P9A
E1	6mm ² Earth cable	Traffic Survey Cabinet CET	6mm ² Bootlace	PTZ Earth	Earth Terminals	6mm ² Bootlace	15m Bootlace to Bootlace	Refer Standard Drawing 1905, sheet 3, Cable E3
E2	4mm ² Earth cable	Power Surge (Protector) Earth (Line)	4mm ² Bootlace	Supply Earth	Earth Terminals	4mm ² Bootlace	200mm ² Bootlace to Bootlace	
E3	4mm ² Earth cable	Power Surge (Protector) Earth (Equip)	4mm ² Bootlace	PTZ Earth	Earth Terminals	4mm ² Bootlace	200mm ² Bootlace to Bootlace	
E4	6mm ² Earth cable	Earth Cable	6mm ² Bootlace	Pole Earth	Pole Earth Terminal	Earth Lug	225mm ² Bootlace to Bootlace	

EQUIPMENT SCHEDULE

EQUIP ID	DESCRIPTION	VOLTAGE	QUANTITY	COMMENTS
1	Traffic Signals upper mounting and split shell assembly	N/A	1	Refer Standard Drawing 1635
2	1-CAT6 Surge Protector with din rail clip and earth cable	POE or COMMS	1	RJ45 surge. Connect Earth cable to Earth terminal.
3	Power Surge Protector	ELV/12VDC	1	

Department of Transport and Main Roads			
ITS			
TRAFFIC SURVEY PTZ CCTV MULTI-PURPOSE CAMERA POST WIRING DETAILS		A3	Standard Drawing No
		Not to Scale	1903
			Date 3/2023