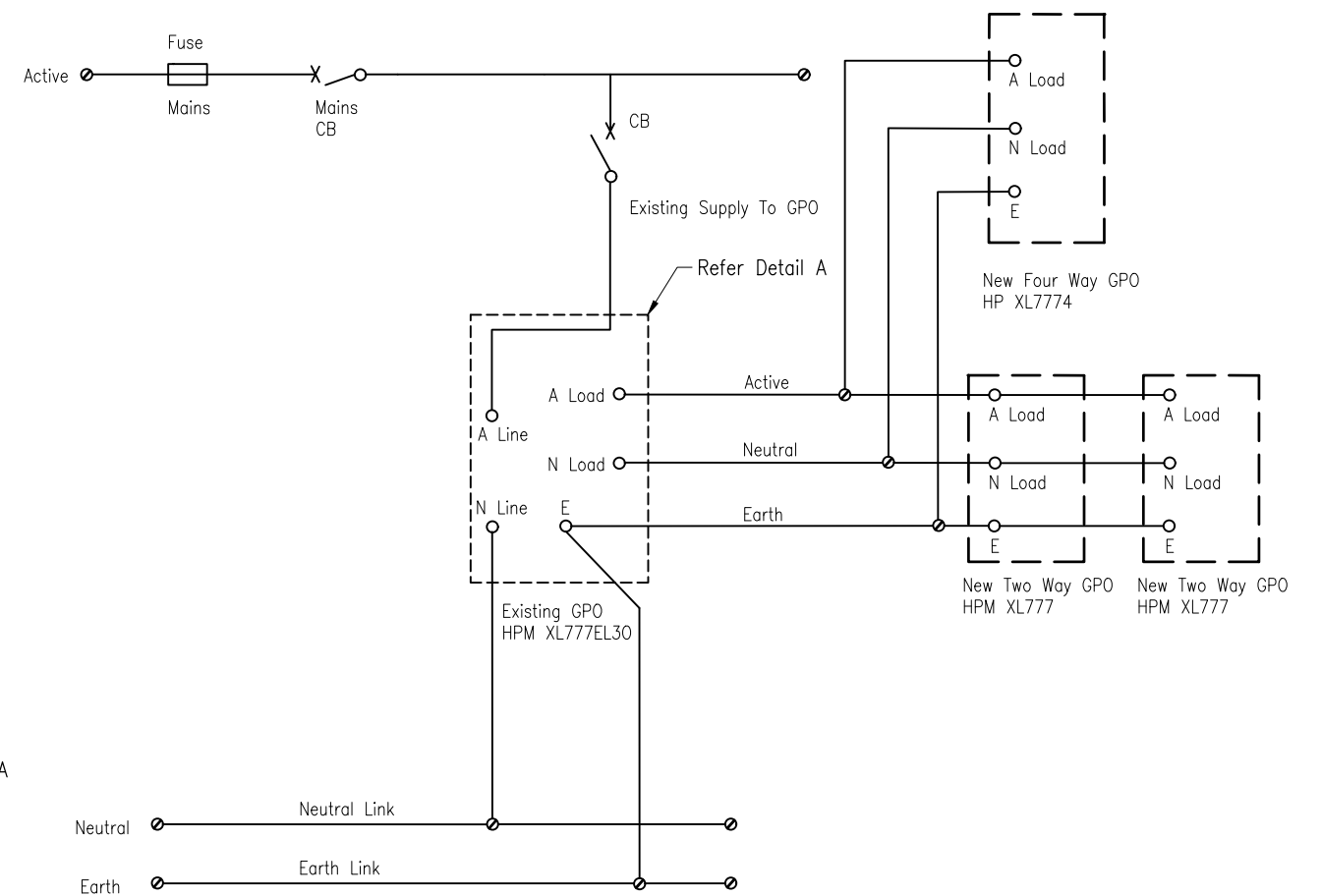


LHS INSIDE VIEW

FRONT INSIDE VIEW

RHS INSIDE VIEW

(\*) FP - Field Processor  
 FP-PS - Field Processor Power Supply  
 RCD - Residual Current Device  
 GPO - General Purpose Outlet



SCHEMATIC

NOTES

1. All electrical installation in accordance with AS/NZS 3000 and the Electrical Safety Act (QLD).
2. Refer to Tyco Eclipse mains voltage circuits explanatory diagrams and equipment layouts.
3. New down stream GPO(s) to be wired with 2.5mm<sup>2</sup> TPS twin core plus earth, mains electrical cable in 16mm corrugated grey flexible conduit.
4. Cable ties to hold corrugated grey flexible conduit.

ASSOCIATED DEPARTMENTAL DOCUMENTS:

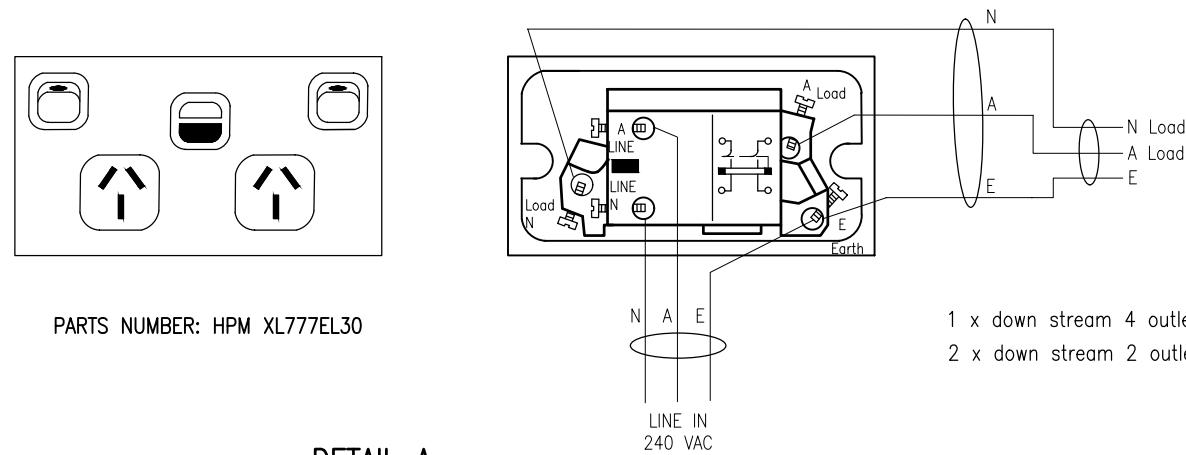
- Standard Drawings Specifications
- Traffic and Road Use Management Manual (TRUM) - Volume 4.3 Electrical Design for Roadside Devices

REFERENCED DOCUMENTS:

- Departmental Standard Specifications: MRTS201 General Equipment Requirements

Australian Standards:

- AS/NZS 3000 Electrical Installations (Wiring Rules)



PARTS NUMBER: HPM XL777EL30

DETAIL A

1 x down stream 4 outlet G.P.O (HPM XL7774) and  
 2 x down stream 2 outlet G.P.O (HPM XL777)

Department of Transport and Main Roads			
POWER EXTENSION FOR ITS DEVICES			
TYCO ECLIPSE CONTROLLER WITH TOPHAT ADDITIONAL G.P.O.'S VIA EXISTING RCD G.P.O. PLUS COMMUNICATIONS EQUIPMENT		A3 Not to Scale	Standard Drawing No <b>1778</b> Date 3/2020
A	B		