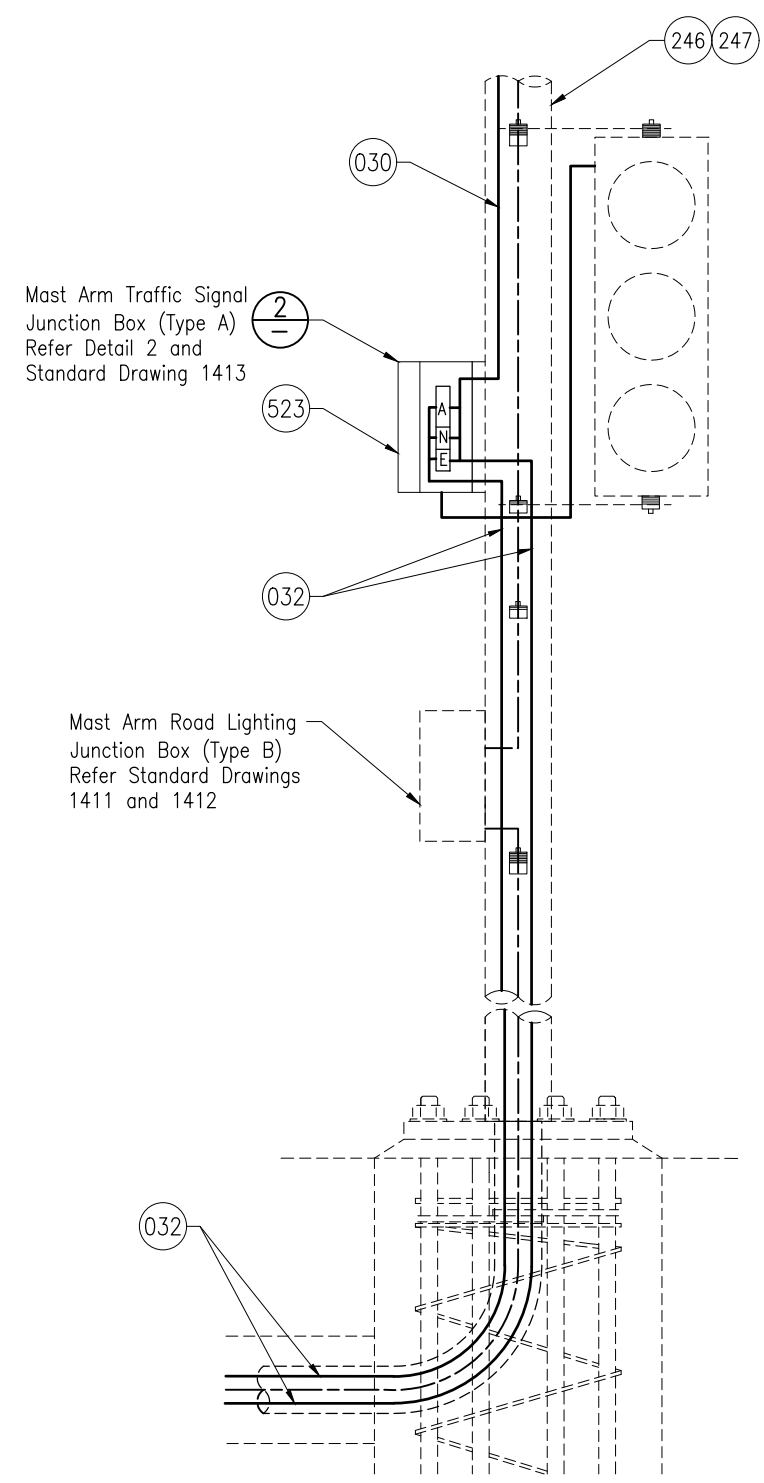
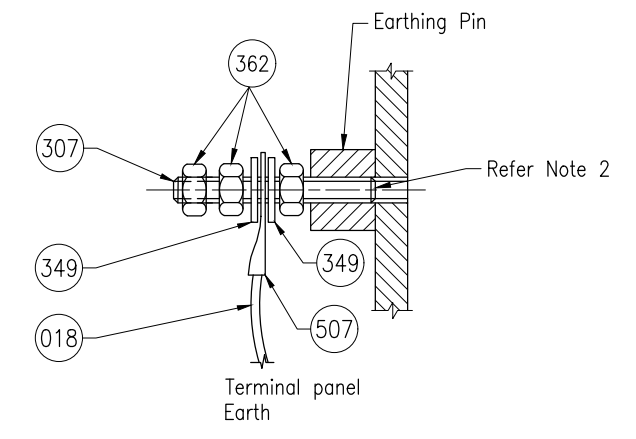


DETAIL 2  
TRAFFIC SIGNAL JUNCTION BOX (TYPE A)



WIRING DETAILS  
(DIAGRAMMATIC SKETCH ONLY)



DETAIL 1  
ASSEMBLY SEQUENCE FOR  
TERMINAL PANEL EARTH  
Refer Notes 1 and 3

NOTES:

1. Ensure earth connection is properly tightened before installing traffic signal terminal panel junction box. Torque on nuts of assembly to be approximately 20Nm. Use a digital torque wrench or ring spanner to tighten. Lubricated/oiled components or power tool based fastening are not accepted.
2. Approximately 20mm length of booker rod should be screwed into the Mast Arm Earthing Pin.
3. Parts included with 523
4. Refer project specific drawings for signal group and pushbutton allocations.

ASSOCIATED DEPARTMENTAL DOCUMENTS:

- Standard Drawings
- Specifications

REFERENCED DOCUMENTS:

- Departmental Standard Drawings:
- 1411 Road Lighting – Mast Arm Road Lighting Junction Box (Type B)
  - 1412 Road Lighting – Mast Arm Road Lighting Junction (Type B) Wiring Details
  - 1413 Traffic Signals – Mast Arm Traffic Signal Junction Box (Type A)
  - 1670 Traffic Signals – Traffic Signal Wiring Connections
  - 1699 Traffic Signals/Road Lighting/ITS – Parts List

Departmental Specifications:

- MRTS93 Traffic Signals
- MRTS228 Provision of Electrical Switchboards

Australian Standards:

- AS/NZS 2276.1 Cables for Traffic Signals installations – Multicore Power Cables
- AS/NZS 3000 Electrical Installations (Wiring Rules)

Department of Transport and Main Roads				© The State of Queensland (Department of Transport and Main Roads) 2022 <a href="http://creativecommons.org/licenses/by/4.0/">http://creativecommons.org/licenses/by/4.0/</a>	
TRAFFIC SIGNALS				A3	Standard Drawing No
MAST ARM TRAFFIC SIGNAL JUNCTION BOX (TYPE A) WIRING DETAILS		Not to Scale	1414		
		H	Date 7/2022		