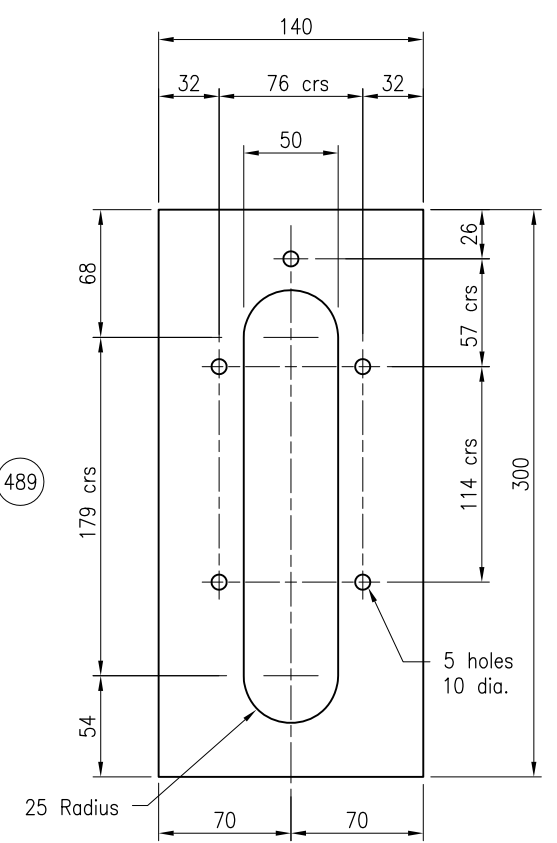
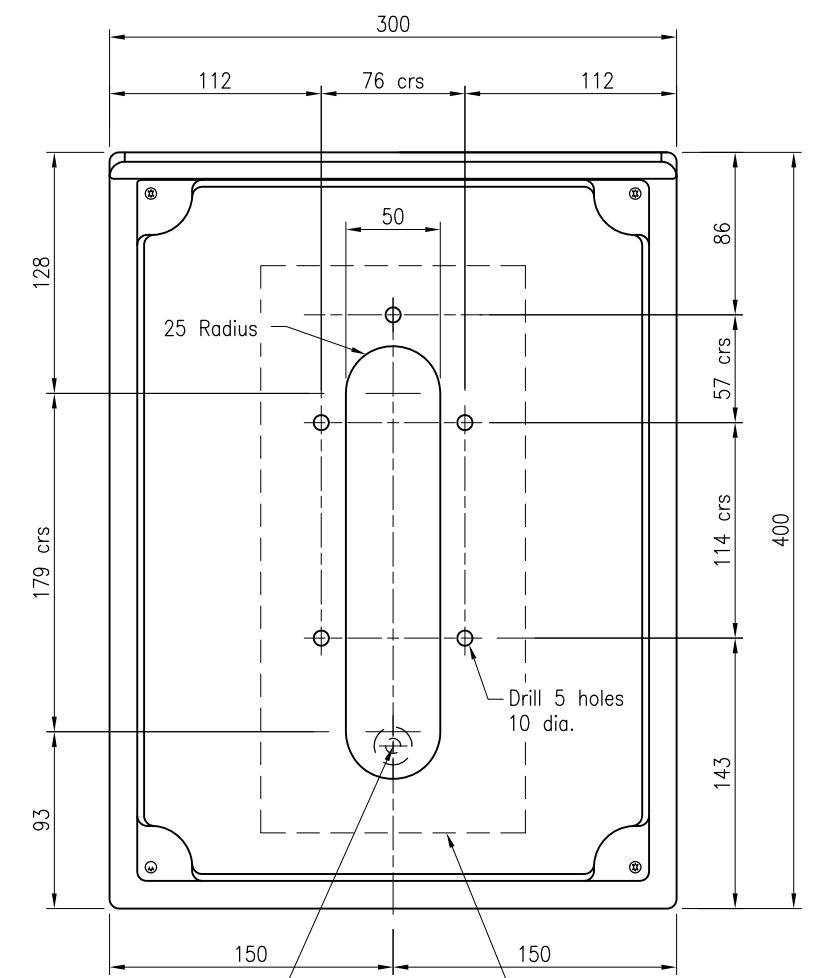


TERMINAL PANEL TRAFFIC SIGNALS JUNCTION BOX (TYPE A) 523

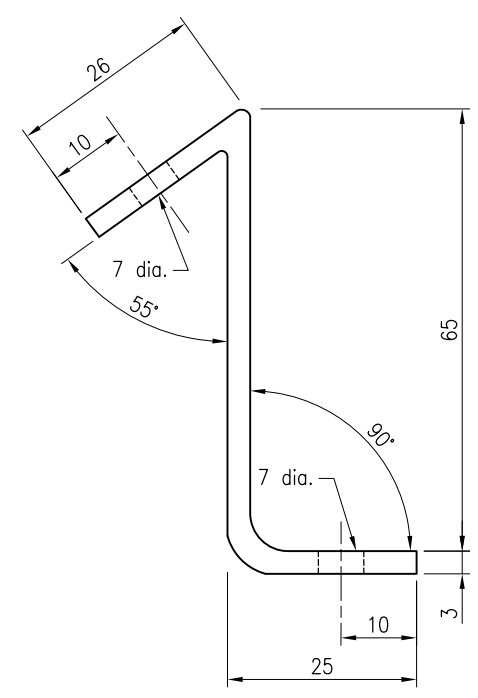
For assembly details Refer Standard Drawing 1414



DETAIL 2 GASKET 519



DETAIL 3 PENETRATIONS IN BACK OF ENCLOSURE 519 Refer Detail 2 Gasket on back of enclosure



DETAIL 1 423

- NOTES:**
1. Amend rack to suit where more terminals are required.
 2. Gasket material – 3mm cork fixed with approved adhesive.
 3. Dimensions are in millimetres unless shown otherwise.

- ASSOCIATED DEPARTMENTAL DOCUMENTS:**
 Standard Drawings
 Specifications
- REFERENCED DOCUMENTS:**
 Departmental Standard Drawings:
 1414 Traffic Signals – Mast Arm Traffic Signal Junction Box (Type A) Wiring Details
 1699 Traffic Signals/Road Lighting/ITS – Parts List
- Departmental Specifications:**
 MRTS93 Traffic Signals
 MRTS228 Provision of Electrical Switchboards
- Australian Standards:**
 AS/NZS 3000 Electrical Installations (Wiring Rules)

Department of Transport and Main Roads				Standard Drawing No	
TRAFFIC SIGNALS				1413	
MAST ARM TRAFFIC SIGNAL JUNCTION BOX (TYPE A)		A3	Date 4/15		
		Not to Scale			
A	B	C	D	E	F