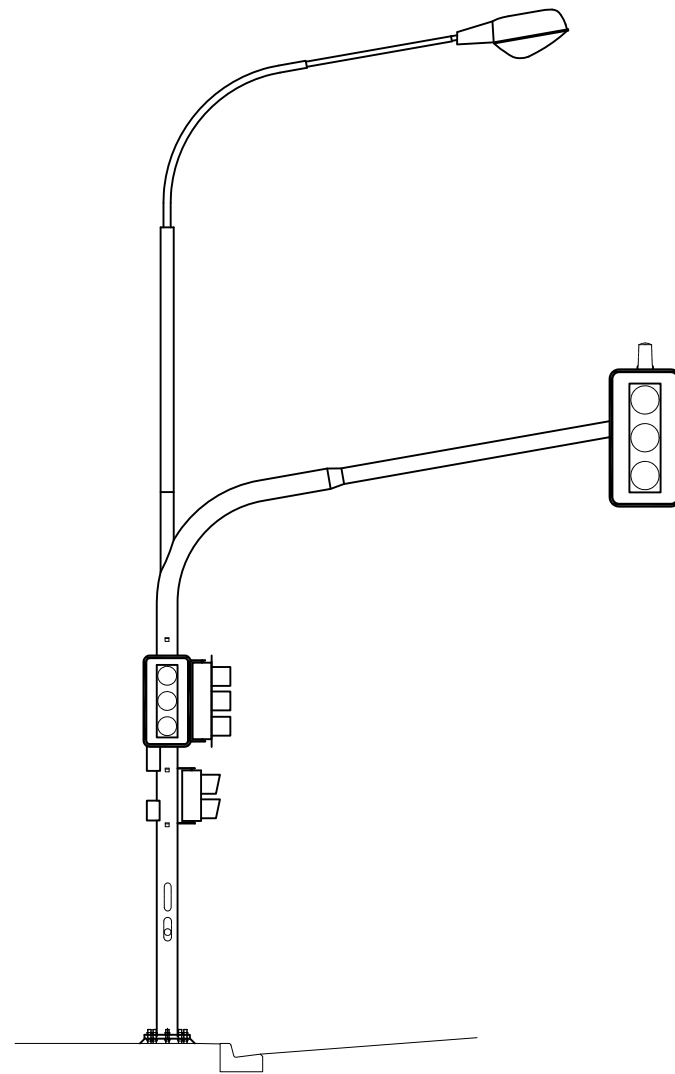


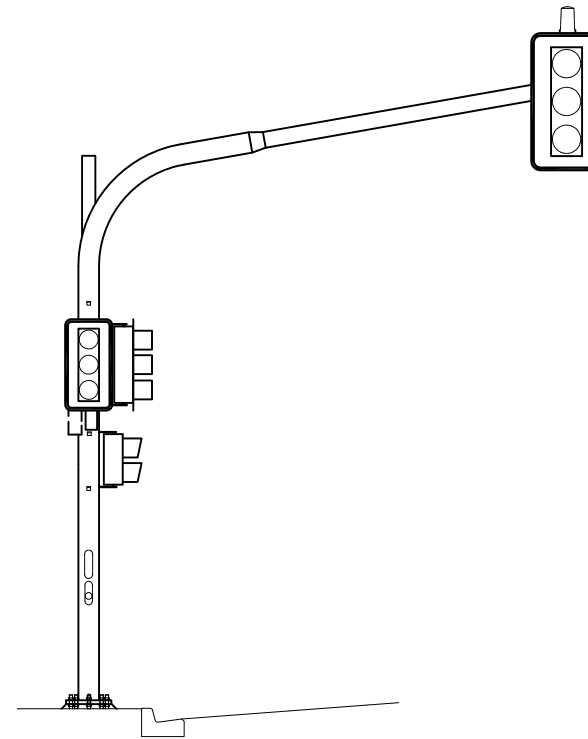
**JOINT USE TRAFFIC SIGNAL
AND ROAD LIGHTING POLE**

Refer Standard Drawing 1377



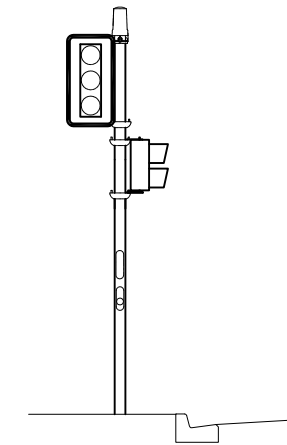
**COMBINATION TRAFFIC
SIGNAL MAST ARM
AND
ROAD LIGHTING POLE**

Refer Standard Drawing 1427



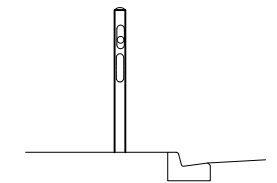
**TRAFFIC SIGNAL MAST
ARM**

Refer Standard Drawing 1427



TRAFFIC SIGNAL POST

Refer Standard Drawing 1428



PUSH BUTTON POST

Refer Standard Drawing 1428



NOTES:

ASSOCIATED DEPARTMENTAL DOCUMENTS:
Standard Drawings
Specifications

REFERENCED DOCUMENTS:
Departmental Standard Drawings:
1377 Traffic Signals/Road Lighting – Joint Use Traffic Signal and Road Lighting Pole
1427 Traffic Signals/Road Lighting – Mast Arm (U Series) Installation Details
1428 Traffic Signals – Traffic Signal Post Base Mounted

Departmental Specifications:
MRTS93 Traffic Signals
MRTS94 Road Lighting

Australian Standards:
AS/NZS 3000 Electrical Installations (Wiring Rules)

| | | | |
|--|---|--|---|
| Department of Transport and Main Roads | |  Queensland Government |  © The State of Queensland (Department of Transport and Main Roads) 2015 http://creativecommons.org/licenses/by/3.0/au |
| TRAFFIC SIGNALS | | | |
| GENERAL ARRANGEMENTS | | A3 | Standard Drawing No |
| | | Not to Scale | 1420 |
| | | | Date 7/15 |
| A | B | C | D |
| E | | | |