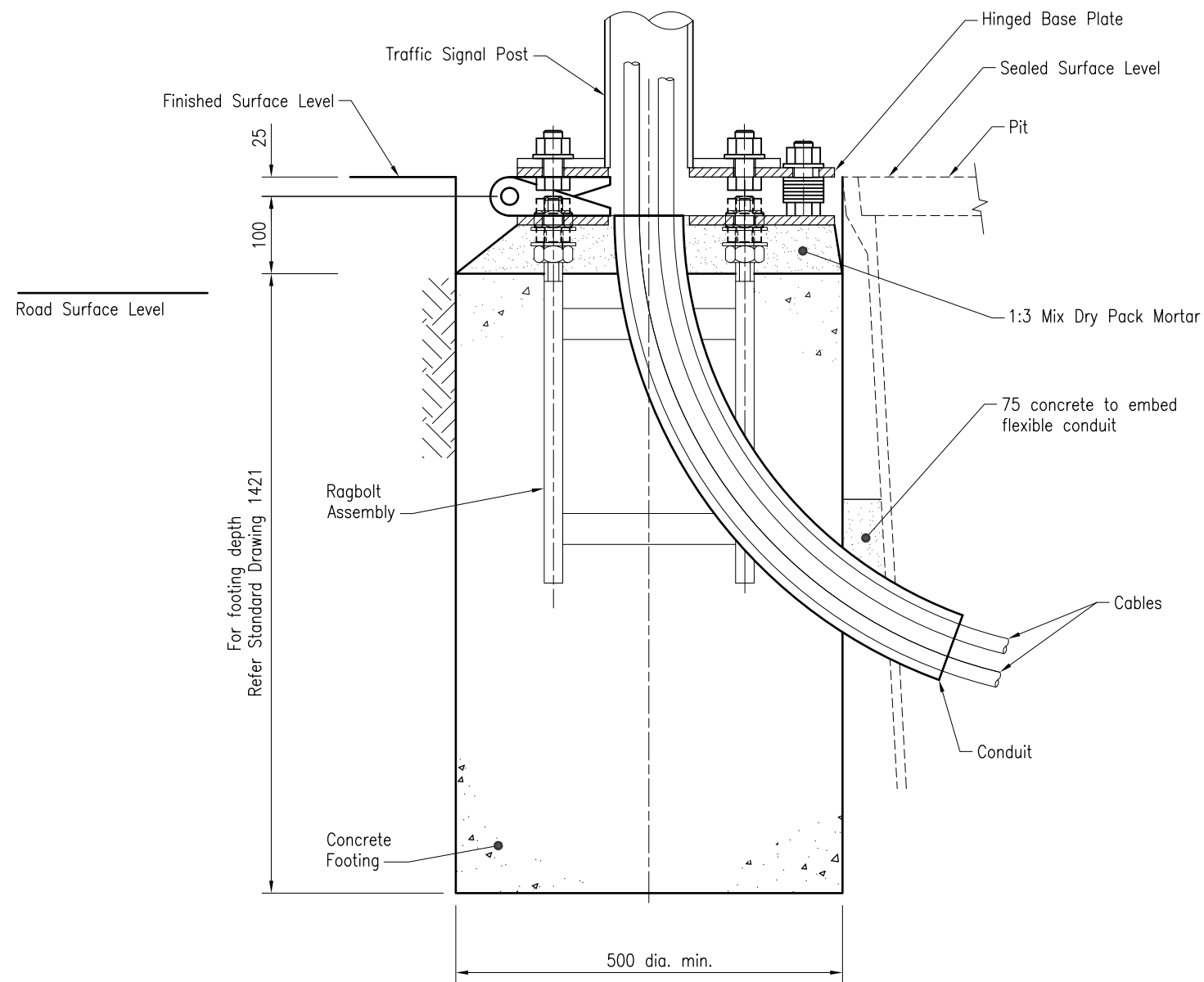


PREFERRED LOCATION OF PIT AND FOOTING



HINGED BASE ARRANGEMENT

NOTES:

1. Refer to Standard Drawing 1421 for footing details.
2. To install hinged base, set on ragbolts and adjust levelling nuts.
3. Install fixing nuts and pack under base with dry pack mortar hammered into place against backing board.
4. Hinged Base Plate to be orientated such that the Traffic Signal Post folds back on to the Traffic Island.
5. Dimensions are in millimetres unless shown otherwise.

ASSOCIATED DEPARTMENTAL DOCUMENTS:

Standard Drawings  
Specifications

REFERENCED DOCUMENTS:



- Departmental Standard Drawings:
- 1421 Traffic Signals – Traffic Signals and Post Footing Installation Details
  - 1422 Traffic Signals – Ragbolt Sub-Assembly Fabrication Details
  - 1437 Traffic Signals – Hinged Base Plate for Traffic Signal Post Fabrication Details

Departmental Specifications:

- MRTS91 Conduits and Pits
- MRTS92 Traffic Signal and Road Lighting Footings

Australian Standards:

- AS/NZS 3000 Electrical installations (Wiring Rules)

Department of Transport and Main Roads		 Queensland Government	 © The State of Queensland (Department of Transport and Main Roads) 2020 <a href="https://creativecommons.org/licenses/by/4.0/">https://creativecommons.org/licenses/by/4.0/</a>
TRAFFIC SIGNALS			
HINGED BASE PLATE FOR TRAFFIC SIGNALS POST INSTALLATION		A3 Not to Scale	Standard Drawing No <b>1438</b> Date 11/2020
A	B	C	D