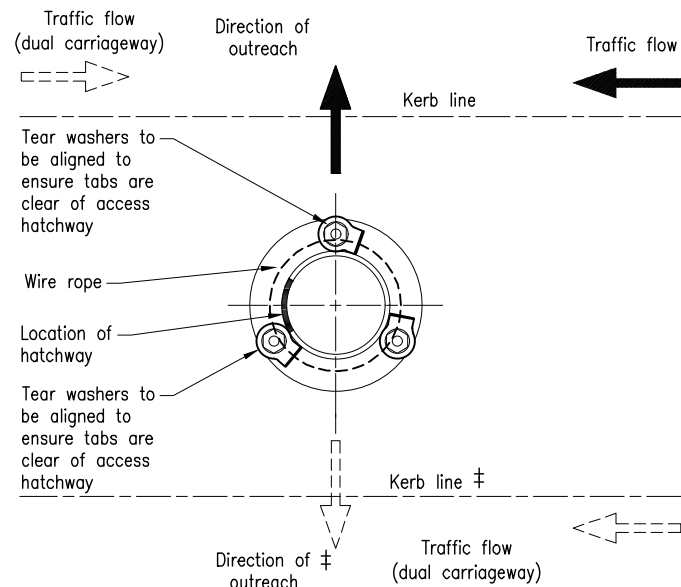
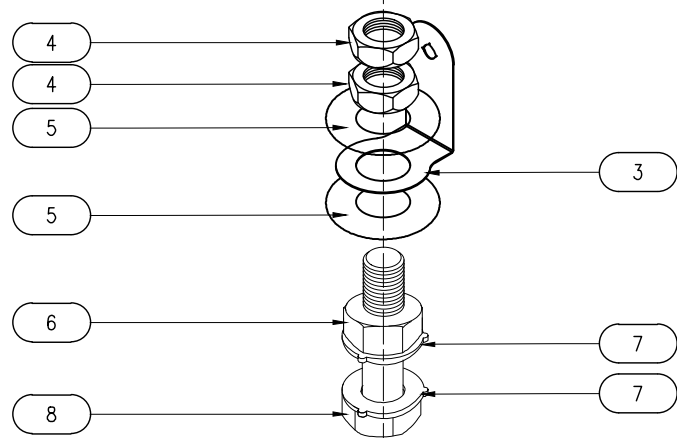


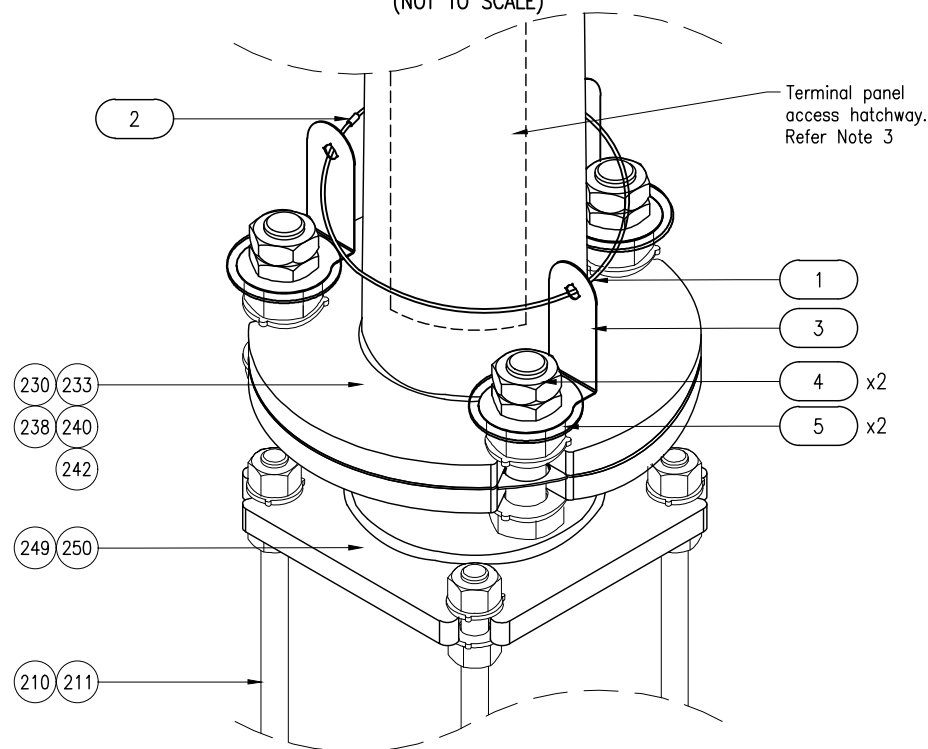
**SLIP BOLT TETHERING ASSEMBLY**  
**SD1699 PART NUMBER (379)**  
 (POLE AND SLIP BASE ASSEMBLY HIDDEN)  
 (NOT TO SCALE)



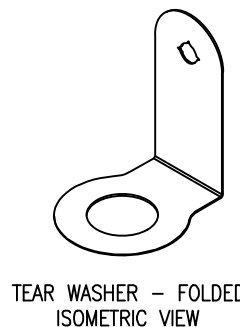
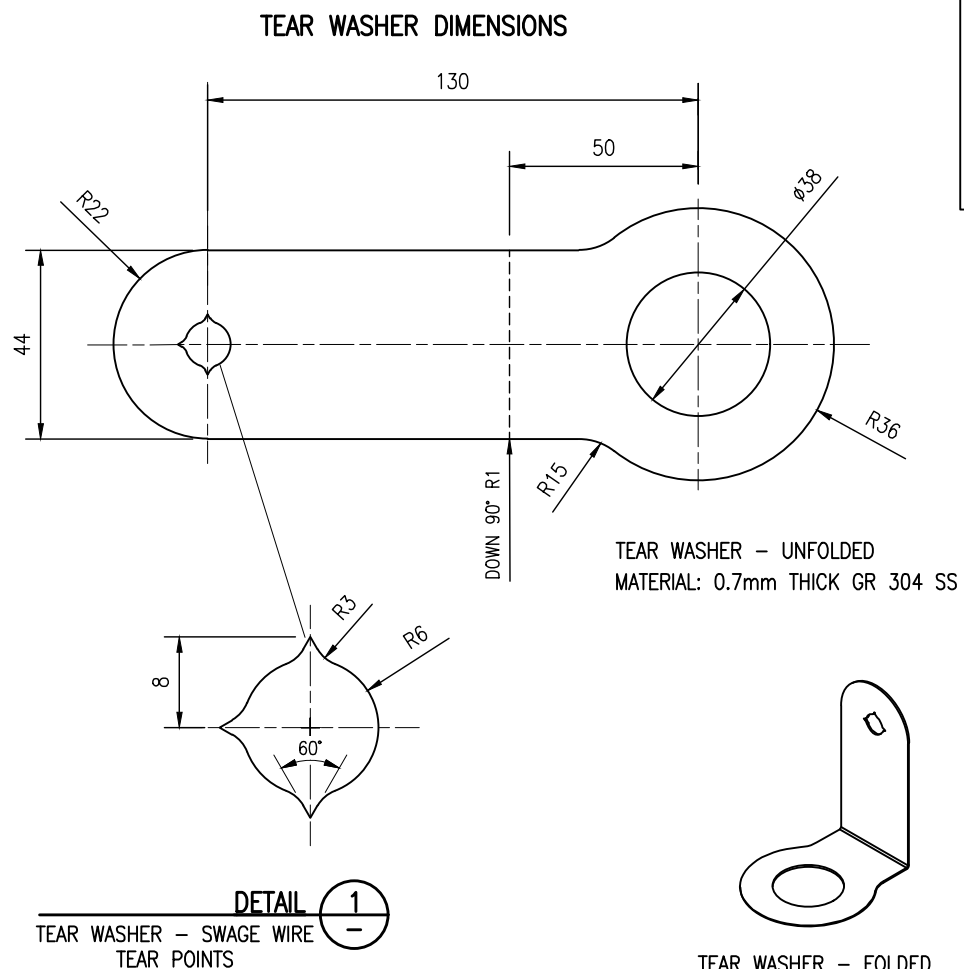
**TEAR WASHER ORIENTATION**  
 (NOT TO SCALE)



**TEAR WASHER ASSEMBLY SEQUENCE**  
**ON EXISTING SLIP BOLT**  
 (POLE AND SLIP BASE ASSEMBLY HIDDEN)  
 (NOT TO SCALE)



**SLIP BASE POLE WITH SLIP BOLT TETHERING ASSEMBLY**  
 (NOT TO SCALE)



**MATERIALS LIST**

ITEM	DESCRIPTION	QTY	REMARKS
1	4mm diameter wire rope	1	7x7 Grade 316 Stainless Steel wire rope. Cut Length: 980mm for 350mm PCD poles 1450mm for 500mm PCD poles
2	Swage	1	4.0 Nickel plated copper, thick walled swage
3	Tear Washer 0.7mm	3	Grade 304 Stainless Steel
4	Half Nut- M36	6	M36 half nut Galvanised
5	Mylar Washer	6	Thickness 0.25mm – Inner diameter 36mm, Outer diameter 80mm
6	Nut AS1252 – M36	-	Not included in Part No. 379. Refer slip base pole assembly
7	Washer AS1252 – M36	-	Not included in Part No. 379. Refer slip base pole assembly
8	Bolt AS1252 – M36	-	Not included in Part No. 379. Refer slip base pole assembly

**SEQUENCE OF INSTALLATION FOR PART No. (379):**

- ① Locate pole and check slip base assembly is in good order. Ensure slip bolts remain tensioned as per SD1380.
- ② Place first Mylar washers over M36 clamping bolt nuts.
- ③ Place Tear washers over Mylar washers and orientate tabs ensuring that tear washers are clear of access hatchway.
- ④ Place second Mylar washers over the tear washers.
- ⑤ Install first half nuts over tear washers and tension until tear washers are held firmly in place. Re-orientate tear washers as needed.
- ⑥ Install second second half nut and tension until first half nut is sufficiently bound.
- ⑦ Cut swage wire to length as per materials list. Feed wire through tear points on the tear washers, install swage over ends (clear of access hatchway). Swage to be crimped 3 times, evenly spaced. Firstly at the center, then outer, then opposite outer.

**NOTES:**

1. SCOPE: This Standard Drawing provides details of the installation of the Slip Bolt Tethering System only. Refer other departmental standard drawings for Slip base pole assembly details and installation.
2. Tear Washers and equipment shall be supplied as per this standard drawing and the materials list.
3. Ensure Tear Washers are installed clear of pole Terminal access panel. Slip Bolt Tethering System shall not inhibit access to Terminal panel.
4. Refer Standard Drawing SD1699 for items not shown in Materials list.
5. DIMENSIONS are in millimeters unless shown otherwise.

**REFERENCED DOCUMENTS:**

Departmental Standard Drawings:  
 1380 Road Lighting – Slip Base Pole and Footing Installation details for no crossfall  
 1699 Traffic Signals/Road Lighting/ITS – Parts List

**Departmental Specifications:**

MRTS97 Mounting Structures for Roadside Equipment

**Departmental Technical Notes:**

TN200 Slip Base Pole Clamping Bolt Tethering System Installation

Department of Transport and Main Roads			
ROAD LIGHTING			
SLIP BOLT TETHERING SYSTEM FOR TMR RATE 3 SLIP BASE POLES		A3 Not to Scale A	Standard Drawing No <b>1755</b> Date 7/2022