

Materials Testing Manual

Edition 5, Amendment 4

September 2020

Copyright

© The State of Queensland (Department of Transport and Main Roads) 2020.

Licence



This work is licensed by the State of Queensland (Department of Transport and Main Roads) under a Creative Commons Attribution (CC BY) 4.0 International licence.

CC BY licence summary statement

In essence, you are free to copy, communicate and adapt this work, as long as you attribute the work to the State of Queensland (Department of Transport and Main Roads). To view a copy of this licence, visit: <https://creativecommons.org/licenses/by/4.0/>

Translating and interpreting assistance



The Queensland Government is committed to providing accessible services to Queenslanders from all cultural and linguistic backgrounds. If you have difficulty understanding this publication and need a translator, please call the Translating and Interpreting Service (TIS National) on 13 14 50 and ask them to telephone the Queensland Department of Transport and Main Roads on 13 74 68.

Disclaimer

While every care has been taken in preparing this publication, the State of Queensland accepts no responsibility for decisions or actions taken as a result of any data, information, statement or advice, expressed or implied, contained within. To the best of our knowledge, the content was correct at the time of publishing.

Feedback

Please send your feedback regarding this document to: tmr.techdocs@tmr.qld.gov.au

List of contents: 5th Edition, Amendment 4

Part 1	Introduction	
	Introduction	January 2020
Section 1	Scope	September 2020
Section 2	Content	September 2020
Section 3	Definitions	September 2020
Section 3.1	Standard definitions	September 2020
Section 3.2	Definitions in other publications	September 2020
Section 3.3	Standard abbreviations	September 2020
Section 3.4	Abbreviations in other publications	September 2020
Section 4	Referenced documents	September 2020
Section 4.1	Australian Standards	September 2020
Section 4.2	International Standards	September 2020
Section 5	Using other standards	September 2020
Section 6	Safety	September 2020
Section 7	Notes	September 2020
Section 8	Approved methods (table of equivalencies)	September 2020
Part 2	Application	
Section 1	Purpose	September 2020
Section 2	Referenced documents	September 2020
Section 3	Testing of materials for insitu cement or cementitious blend stabilisation	September 2020
Section 4	Testing of materials for plant-mixed cement or cementitious blend stabilisation	September 2020
Section 5	Testing of materials for insitu foamed bitumen stabilisation	September 2020
Section 6	Testing of materials for plant-mixed foamed bitumen stabilisation	September 2020
Section 7	Testing of materials for lime stabilisation	September 2020
Section 8	Storage of additives in the laboratory	September 2020
Part 3	General	
Q020	Calculation of characteristic value of a lot	July 2019
Part 4	Sampling	
Q050	Random selection of sampling or test locations	September 2020
Q060	Representative sampling of soils, crushed rock and aggregates	July 2019
Q061	Spot sampling of soils, crushed rock and aggregates	July 2019
Q070	Dry coring of bound materials	November 2018
Q080	Sampling of bituminous binder	November 2018

Part 5	Soils, Crushed Rock and Stabilised Materials	
Q101	Preparation of disturbed samples	November 2018
Q101A	Sample combination and splitting	September 2020
Q101B	Representative sample reduction	September 2020
Q101C	Fractionation	November 2018
Q101D	Break-up, cleaning and crushing	September 2020
Q101E	Pre-treatment	November 2018
Q101F	Crushing	November 2018
Q103A	Particle size distribution of soil – wet sieving	November 2018
Q103F	Particle size distribution of soil – laser diffraction	November 2018
Q104A	Liquid limit of soil	January 2020
Q104D	Liquid limit of soil – one point	January 2020
Q105	Plastic limit and plasticity index of soil	November 2018
Q106	Linear shrinkage of soil	October 2019
Q113A	California Bearing Ratio of soil – standard	January 2020
Q113B	California Bearing Ratio of soil – modified	September 2020
Q113C	California Bearing Ratio of soil at nominated levels of dry density and moisture content	January 2020
Q114B	Insitu California Bearing Ratio – dynamic cone penetrometer	November 2018
Q115	Unconfined compressive strength of stabilised materials	September 2020
Q118	Bitumen content of stabilised material	November 2018
Q120B	Organic content of soil - Loss on ignition	November 2018
Q122A	Resistivity of soil and water	November 2018
Q122B	Resistivity of soil - Reinforced earth	November 2018
Q125D	Capillary rise of stabilised material	July 2019
Q129	Clay index of soils, crushed rock and filler	November 2018
Q130A	Chloride content of soil and water	November 2018
Q130B	Chloride content of soil - Reinforced earth	November 2018
Q131B	Sulfate content of soil - Reinforced earth	November 2018
Q133	Lime demand of soil	November 2018
Q134	Stabilising agent content – Heat of neutralisation	November 2018
Q135A	Addition of stabilising agents	September 2020
Q135B	Curing moulded specimens of stabilised material	September 2020
Q135C	Curing moulded specimens of foamed bitumen stabilised material	September 2020
Q136A	Working time of stabilised material	October 2019
Q136B	Working time of foamed bitumen stabilised material	July 2019
Q137	Permanent deformation and resilient modulus of granular unbound material	July 2019

Q138A	Preparation and compaction of laboratory mixed foamed bitumen stabilised material	September 2020
Q138B	Preparation and compaction of field mix foamed bitumen stabilised material	September 2020
Q139	Resilient modulus of stabilised material – indirect tensile method	September 2020
Q140A	Relative compaction of soils and crushed rock	July 2019
Q141A	Compacted density of soils and crushed rock - Nuclear gauge	November 2018
Q141B	Compacted density of soils and crushed rock – sand replacement	November 2018
Q142A	Dry density-moisture relationship of soils and crushed rock – standard	July 2019
Q142B	Dry density-moisture relationship of soils and crushed rock – modified	September 2020
Q143	Treatment of oversize material	November 2018
Q144A	Assignment of maximum dry density and optimum moisture content for soils and crushed rock	September 2020
Q145A	Laboratory compaction to nominated levels of dry density and moisture content	July 2019
Q146	Degree of saturation of soils and crushed rock	November 2018
Q147B	Compacted density of stabilised material – vacuum saturation	November 2018
Q148	Manufacture of laboratory slab specimens – segmental wheel compactor	September 2020
Q149	Deformation of granular material – wheel tracker	September 2020
Q250	Relative moisture ratio of soils and crushed rock	November 2018
Q251A	Preparation and compaction of laboratory mix stabilised materials	September 2020
Q251B	Preparation and compaction of field mix stabilised materials	July 2019
Q251C	Preparation and compaction of soil	September 2020
Q252	Plastic properties of a soil	July 2019
Q253	Particle size and shape properties of a soil	November 2018
Q257	Modified compression test for pavement materials – Texas triaxial	September 2020
Part 6	Geotechnical, Environmental, Rock	
Q160	Water repellency of soil	November 2018
Q161	Field dispersion indicator test of soil – slaking	November 2018
Q162	Field dispersion indicator test of soil – clouding	November 2018
Q181C	Effective angle of internal friction at constant volume conditions for granular materials – coarse grained	September 2020
Q185	Brazilian compressive strength of rock	September 2020
Q188	Petrographic assessment of aggregates	September 2020
Q191	Inspection of installed pavement drains – bore scope	November 2018
Part 7	Aggregates	
Q201	Flakiness index of aggregate	November 2018
Q203	Polished aggregate friction value	November 2018

Q208B	Degradation factor of coarse aggregate	November 2018
Q211	Binder absorption by aggregate	November 2018
Q212B	Binder stripping value – modified plate	November 2018
Q212C	Binder stripping value – immersion tray	November 2018
Q216	Degree of aggregate precoating	November 2018
Q227	Pull-out force for surfacing aggregate	July 2019
Q228	Mill abrasion of aggregate	November 2018
Q229A	Resistance to degradation by abrasion of fine aggregate	September 2020
Q229B	Resistance to degradation by abrasion of coarse aggregate	September 2020
Q230	Particle size distribution and shape - Rock	November 2018
Part 8	Asphalt	
Q303A	Preparation of asphalt core samples	November 2018
Q303B	Preparation of asphalt mix from a core sample	November 2018
Q304A	Permeability of asphalt - Ponding method	November 2018
Q304B	Assessment of asphalt permeability	November 2018
Q305	Stability, flow and stiffness of asphalt – Marshall	July 2019
Q306B	Compacted density of dense graded asphalt – presaturation	November 2018
Q306C	Compacted density of asphalt – silicone sealed	November 2018
Q306D	Compacted density of asphalt – mensuration	November 2018
Q306E	Compacted density of asphalt – nuclear gauge	November 2018
Q307A	Maximum density of asphalt – water displacement	November 2018
Q308A	Binder content and aggregate grading of asphalt – reflux method	November 2018
Q308C	Binder content and aggregate grading of emulsion based cold mix	September 2020
Q308D	Binder content and aggregate grading of asphalt – ignition oven	November 2018
Q309	Preparation and testing of asphalt mix	November 2018
Q310	Binder drainage of asphalt mix	November 2018
Q311	Voids properties for compacted asphalt	November 2018
Q315	Sensitivity of asphalt to water	November 2018
Q316	Binder absorption of asphalt mix components	November 2018
Q317	Binder film index of asphalt	November 2018
Q318	Mix volume ratio of stone mastic asphalt	November 2018
Q321	Fixed and free binder in asphalt	November 2018
Q322	Gyratory compaction curve of asphalt	November 2018
Q323	Equivalent compaction temperature of warm mix asphalt	November 2018
Q324	Rapid drying of compacted asphalt specimens – vacuum	November 2018
Q325	Stability of asphalt – Hamburg wheel tracking device (HWTD)	September 2020

Part 9	Bituminous materials	
Q331	Density of bitumen	November 2018
Q350	SBS content of polymer modified binder	November 2018
Q361	Sedimentation of bitumen emulsion	November 2018
Q364	Recovery of polymer modified binder from polymer modified emulsion	November 2018
Q372	Cutter content of bituminous materials – modified Dean and Stark	November 2018
Q374	Density of petroleum products	November 2018
Part 10	Concrete	
Q456	Sulfate content of hardened concrete	November 2018
Q457B	Chloride content of hardened concrete – Mohr titration	November 2018
Q460A	Compressive stress and recovery of preformed joint filler	September 2020
Q460B	Extrusion of preformed joint filler	September 2020
Q460C	Expansion of preformed self-expanding joint filler	September 2020
Q460D	Accelerated weathering of preformed joint filler	November 2018
Q460E	Resistance to heat degradation of closed cell foam joint filler	September 2020
Q460F	Resistance to disintegration of preformed cork joint filler	November 2018
Q461	Durability of sealant	September 2020
Q462	Resistance of vulcanised rubber to the absorption of oil	November 2018
Q463A	High temperature recovery of preformed polychloroprene elastomeric joint seals	September 2020
Q463B	Low temperature recovery of preformed polychloroprene elastomeric joint seals	September 2020
Q470	Coefficient of thermal expansion of concrete	November 2018
Q471	Making, curing and testing moulded concrete specimens – field simulated curing	November 2018
Q473	Density of hardened concrete – water displacement	September 2020
Q474	Dowel pull-out test	September 2020
Q475	Tie bar pull-out test	September 2020
Q477	Foreign materials content of recycled crushed concrete	November 2018
Q478	Stability of super-workable concrete	January 2020
Q479	Water retention of concrete – Filtration	January 2020
Q480	Relaxation of pre-stressing and post tensioning material	November 2018
Q482	Relative compaction of concrete	November 2018
Q483	Assignment of reference density for concrete	November 2018
Q484	Compacted density of concrete – nuclear gauge	November 2018
Q485	Carbonation depth of concrete	November 2018

Part 11	Chemical	
Q603	Heat stability of bitumen anti-stripping agent	November 2018
Q604	Pourability of a liquid bitumen anti-stripping agent	November 2018
Part 12	Pavements	
Q704	Skid resistance – portable pendulum	November 2018
Q705B	Surface texture depth – silicone putty	September 2020
Q707A	Permeability of road surfacing and granular materials – even flow field permeameter	November 2018
Q707B	Permeability of road surfacing and granular materials – rapid flow field permeameter	November 2018
Q708B	Road roughness – surface evenness – two laser profilometer	September 2020
Q708C	Road roughness – surface evenness – static level and staff	November 2018
Q708D	Road roughness – surface evenness – ARRB walking profiler	November 2018
Q711A	Field spread rate of cover aggregate – canvas mat	November 2018
Q712	Surface evenness of road surface – three metre straightedge	September 2020
Q713	Skid resistance – mobile, variable slip technique	November 2018
Q714	Skid resistance – mobile, continuous reading, fixed slip technique	November 2018
Q719	Field spread rate of solid stabilising agents – fabric mat	November 2018
Q720	Loose aggregate on sprayed seals	November 2018
Q721	Torsional shear strength of pavement layers	July 2019
Q723	Proof rolling test	July 2019
Q726A	Deflections – Light Weight Deflectometer (LWD)	September 2020
Q726B	Deflections – Portable Impulse Plate Load Test Device	September 2020

Introduction

1 Scope

The *Materials Testing Manual* (MTM) is published to assist the Department of Transport and Main Roads in the design, construction and maintenance of the state road network.

The 5th Edition of the MTM was published in 2018 and is available in electronic form only.

To reduce costs for industry, the manual contains a 'Table of Equivalencies' so that testing laboratories will no longer need to obtain separate NATA accreditations for identical test methods.

The methods published in the MTM are also referenced in the following departmental publications:

- [*Pavement Design Supplement: Supplement to Part 2 Pavement Structural Design of the Austroads Guide to Pavement Technology*](#)
- [*Pavement Rehabilitation Manual*](#)
- [*Technical Specifications*](#), and
- [*Western Queensland Best Practice Guidelines*](#).

2 Content

The manual contains twelve parts as follows:

- a) Part 1 *Introduction*
- b) Part 2 *Application*
- c) Part 3 *General*
- d) Part 4 *Sampling*
- e) Part 5 *Soils, Crushed Rock and Stabilised Materials*
- f) Part 6 *Geotechnical, Environmental, Rock*
- g) Part 7 *Aggregates*
- h) Part 8 *Asphalt*
- i) Part 9 *Bituminous materials*
- j) Part 10 *Concrete*
- k) Part 11 *Chemical, and*
- l) Part 12 *Pavements*.

3 Definitions

3.1 Standard definitions

The standard definitions listed in Table 3.1 shall apply to the *Materials Testing Manual*.

Table 3.1 – Standard definitions

Term	Definition
Bulk sample	Produced by taking a set of sample increments of approximately equal quantities from a lot, and thoroughly mixing to provide a single uniform sample. A bulk sample may be reduced by sample division.
Coarse-grained soil	Soils that contain, not more than 20% retained on a 37.5mm test sieve.
Constant mass	Where oven drying to constant mass is specified using a 105–110°C drying oven, the sample is considered to have reached a constant mass when the difference between successive determinations of mass, after additional drying for not less than 30 minutes, does not exceed 0.1 percent of the original mass of the sample. Where oven drying to constant mass is specified using a 45–50°C drying oven, the sample is considered to have reached a constant mass when the difference between successive determinations of mass, after additional drying for not less than 4 hours, does not exceed 0.1 percent of the original mass of the sample. Where test methods require different temperatures or drying times, the specified temperatures and times will apply.
Fine-grained soil	Soils that contain not more than 20% retained on a 2.36mm test sieve.
Medium-grained soil	Soils that contain not more than 20% retained on a 19.0mm test sieve.
Plant-mixed stabilisation	Involves the stationary pug mill mixing of a stabilisation agent with an unbound granular material sourced from a quarry or reclaimed construction and demolition waste (usually concrete). The quality of unbound granular pavement material used in plant mixing must conform to an unbound pavement specification.
Quarry material	Construction materials that are won by blasting, ripping or other excavation means for use in their natural state or after processing such as by crushing, screening or combining with other materials.
Sample	The material to be forwarded for examination and/or testing which is representative of a lot. A sample is either a single entity (a spot sample) or more usually a representative sample and derived by combining sample increments of approximately equal quantities from a lot, and thoroughly mixing to provide a single uniform sample and then dividing the sample into a suitable quantity for examination and/or testing.
Sample increment	Is the basic unit of sampling and shall consist of a quantity of material taken from a sampling location. For hand sampling it may consist of sub-increments combined to form the sample increment.
Sampling location	The location, described in terms of longitudinal, lateral and, if required, vertical distance from where a sample, sample increment or sub-increment is obtained or at which a single insitu test is performed.
Size fraction	The portion of a sample retained between two successive sieves specified for the particular test.
Sub-sample	Representative portion of a sample which has been divided from the sample using procedures detailed in the particular method.
Test location	The location, described in terms of longitudinal, lateral and, if required, vertical distance from where a single insitu test is performed.
Test portion	The material derived from a sample or a sub-sample by further division and used for a particular test.
Unbound materials	Quarry materials, natural gravels or recycled materials produced for base and sub-base pavement construction.

3.2 Definitions in other publications

Further relevant definitions are contained in the following Austroads publication and Transport and Main Roads Technical Specifications:

- a) Austroads *Glossary of Terms*
- b) MRTS01 *Introduction to Technical Specifications*
- c) MRTS04 *General Earthworks*
- d) MRTS05 *Unbound Pavements*
- e) MRTS06 *Reinforced Soil Structures*
- f) MRTS07A *Insitu Stabilised Subgrades using Quicklime or Hydrated Lime*
- g) MRTS07B *Insitu Stabilised Pavements using Cement or Cementitious Blends*
- h) MRTS07C *Insitu Stabilised Pavements using Foamed Bitumen*
- i) MRTS08 *Plant-Mixed Heavily Bound (Cemented) Pavements*
- j) MRTS09 *Plant-Mixed Pavement Layers Stabilised using Foamed Bitumen*
- k) MRTS10 *Plant-Mixed Lightly Bound Pavements*
- l) MRTS35 *Recycled Material Blends for Pavements.*

3.3 Standard abbreviations

The standard abbreviations listed in Table 3.3 shall apply to the *Materials Testing Manual*.

Table 3.3 – Standard abbreviations

Abbreviation	Definition
AR	Analytical Reagent
APHA	American Public Health Association
ASTM	ASTM International, formerly the American Society for Testing and Materials
AWT	Allowable Working Time
CR	Capillary Rise
DoS	Degree of Saturation
FMC	Final Moisture Content
HMA	Hot Mix Asphalt
IRHD	International Rubber Hardness Degrees
LL	Liquid Limit
LR	Laboratory Reagent
LVDT	Linear Variable Displacement Transducer
MRTS	Main Roads Technical Specification
NAASRA	National Association of Australian State Road Authorities
PIARC	World Road Association
RLT	Repeated Load Triaxial
SDS	Safety Data Sheet

Abbreviation	Definition
TG	Technical Grade
WLS	Weighted Linear Shrinkage
WMA	Warm Mix Asphalt

3.4 Abbreviations in other publications

Further relevant abbreviations are contained in the [Austroads Glossary of Terms](#).

4 Referenced documents

4.1 Australian Standards

Table 4.1 lists the [Australian Standards](#) referenced in the *Materials Testing Manual*.

Table 4.1 – Referenced Australian Standards

Reference	Title
AS 1012.9	<i>Methods of testing concrete – Compressive strength tests – Concrete, mortar and grout specimens</i>
AS 1012.13	<i>Methods of testing concrete – Determination of the drying shrinkage of concrete for samples prepared in the field or in the laboratory</i>
AS 1141.1	<i>Methods for Sampling and Testing Aggregates – Definitions</i>
AS 1141.2	<i>Methods for Sampling and Testing Aggregates – Basic Testing Equipment</i>
AS 1141.22	<i>Methods for sampling and testing aggregates – Wet / dry strength variation</i>
AS 1141.40	<i>Methods for sampling and testing aggregates – Polished aggregate friction value – Vertical road-wheel machine</i>
AS 1141.42	<i>Methods for sampling and testing aggregates – Pendulum friction test</i>
AS 1289.0	<i>Methods of Testing Soils for Engineering Purposes – General Requirements and List of Methods</i>
AS 1349	<i>Bourdon tube pressure and vacuum gauges</i>
AS 1545	<i>Methods for the calibration and grading of extensometers</i>
AS 1672.1	<i>Limes and Limestones Part 1: Limes for Building</i>
AS 1984	<i>Vernier callipers (metric series) (withdrawn)</i>
AS 2008	<i>Bitumen for pavements</i>
AS 2103	<i>Dial gauges and dial test indicators (metric series) (withdrawn)</i>
AS 2193	<i>Calibration and classification of force-measuring systems</i>
AS 2341.7	<i>Methods of testing bitumen and related roadmaking products – Determination of density using a density bottle</i>
AS 2341.13	<i>Methods of testing bitumen and related roadmaking products – Long-term exposure to heat and air</i>
AS 2341.25	<i>Methods of testing bitumen and related roadmaking products – Determination of consistency</i>
AS 2341.26	<i>Methods of testing bitumen and related roadmaking products – Determination of sieve residue</i>
AS 2891.1.2	<i>Methods of sampling and testing asphalt – Sampling – Coring method</i>

Reference	Title
AS 2891.2.1	<i>Methods of sampling and testing asphalt – Sample preparation – Mixing, quartering and conditioning of asphalt in the laboratory</i>
AS 2891.13.1	<i>Methods of sampling and testing asphalt – Determination of the resilient modulus of asphalt – Indirect tensile method</i>
AS/NZS 2891.2.2	<i>Methods of sampling and testing asphalt – Sample preparation – Compaction of asphalt test specimens using a gyratory compactor</i>
AS/NZS 2891.9.2	<i>Methods of sampling and testing asphalt – Determination of bulk density of compacted asphalt – Presaturation method</i>

4.2 International Standards

Table 4.2 lists the International Standards referenced in the *Materials Testing Manual*.

Table 4.2 – Referenced International Standards

Reference	Title
ASTM D5581	<i>Standard Test Method for Resistance to Plastic Flow of Bituminous Mixtures Using Marshall Apparatus (6 inch-Diameter Specimen)</i>
ASTM E1859	<i>Standard test method for Friction Coefficient Measurements Between Tire and Pavement Using a Variable Slip Technique</i>
ASTM E1926	<i>Standard practice for computing International Roughness Index of roads from profile measurements</i>
BS 658	<i>Specification for apparatus for the determination of distillation range (including flasks and receivers)</i>
BS EN 1426	<i>Bitumen and bituminous binders – Determination of needle penetration</i>
BS ISO 48	<i>Rubber, vulcanized or thermoplastic. Determination of hardness (hardness between 10 IRHD and 100 IRHD)</i>
ISO 463	<i>Geometrical Product Specifications (GPS) – Dimensional measuring equipment – Design and metrological characteristics of mechanical dial gauges</i>
ISO 3310-1	<i>Test sieves – Technical requirements and testing – Part 1: Test sieves of metal wire cloth</i>
ISO 3310-2	<i>Test sieves – Technical requirements and testing – Part 2: Test sieves of perforated metal plate</i>
ISO 4788	<i>Laboratory glassware – Graduated measuring cylinders</i>
ISO 6789	<i>Assembly tools for screws and nuts – Hand torque tools – Part 1: Requirements and methods for design conformance testing and quality conformance testing; minimum requirements for declaration of conformance</i>
ISO 8486-2	<i>Bonded abrasives – Determination and designation of grain size distribution – Part 2: Microgrits F230 to F2000</i>
ISO 13385 1	<i>Geometrical Product Specifications (GPS) – Dimensional measuring equipment – Part 1: Callipers; Design and metrological characteristics of mechanical dial gauges</i>
JIS B 7503	<i>Mechanical dial gauges</i>
JIS B 7507	<i>Vernier, dial and digital callipers</i>

5 Using other standards

The Transport and Main Roads Technical Specifications require that the testing of all work carried out within a Contract shall be undertaken in accordance with test methods in the department's *Materials Testing Manual* or, where specified, from national standards. Where these methods are referenced in the *Materials Testing Manual* and Transport and Main Roads Specifications Manual, they are prefixed as follows:

- a) 'Q' for methods published in the *Materials Testing Manual*
- b) 'AS' for methods published by Australian Standards
- c) 'AG:PT/T' for methods published by Austroads, or
- d) 'ASTM' for methods published by ASTM International, formerly the American Society for Testing and Materials.

The original issue of the manual contained only full text methods published by the then Department of Main Roads. Since the early 1980s, the MTM has referred to other methods and standards, initially for concrete testing but expanding to include the testing of soils, aggregates, asphalt and other bituminous materials.

The current manual contains the following:

- methods that directly reference existing test methods (for example, Australian Standards, Austroads)
- methods that reference other test methods but include some mandatory variations, and
- full text methods either developed in-house or based on existing test methods.

6 Safety

This manual does not attempt to address all of the safety concerns, if any, associated with its use. It is the responsibility of the user of this manual to establish appropriate occupational health and safety practices that meet statutory regulations.

7 Notes

Information contained in sections with the heading 'Notes on method' is for guidance in understanding or clarifying the associated requirement.

8 Approved methods (table of equivalencies)

A list of methods that are approved as replacements for Transport and Main Roads methods are shown in Table 8.

Table 8 – Approved replacement methods

TMR method	Equivalent	TMR method	Equivalent
Q050	AS 1289.1.4.1	Q201	AS 1141.15
Q050	AS 1289.1.4.2	Q306D	AS 2891.9.3
Q060	AS 1141.3.1	Q336	AS 2341.3
Q101E	T102 + T103	Q358	AS 2341.29

TMR method	Equivalent	TMR method	Equivalent
Q105	AS 1289.3.3.1 or AS 1289.3.3.2	Q478	ASTM C1611
Q136	Q136A	Q479	CIA Z17 A

TMR – Transport and Main Roads

AS – Australian Standard

AG:PT/T – Austroads

ASTM – ASTM International, formerly American Society for Testing and Materials

CIA – Concrete Institute of Australia

RMS – Roads and Maritime Services, New South Wales

Application

1 Purpose

This section of the *Materials Testing Manual* provides guidance for construction materials testing facilities on the use of test methods for the following:

- testing of stabilised materials (Sections 3–7), and
- storage of additives in the laboratory (Section 8).

This guidance reflects departmental experience and is intended to assist testing facilities in performing testing conforming with requirements of the relevant test methods, documents referenced following and the relevant [Technical Specifications](#).

2 Referenced documents

The documents referenced by this part of the *Materials Testing Manual* are shown following:

- [Pavement Rehabilitation Manual](#), Queensland Department of Transport and Main Roads, February 2020.
- [Guide to Pavement Technology Part 4D: Stabilised Materials](#), Austroads, 2019.
- *Geotechnical Site Investigations*, [Standards Australia](#), AS 1726-2017, Section 6.1 *Soil description and classification*.
- [Nuclear Gauge Testing Manual](#), Queensland Department of Transport and Main Roads, Edition 4, July 2019.
- [Pavement Design Supplement](#), *Supplement to Part 2: Pavement Structural Design of Austroads Guide to Pavement Technology*, Queensland Department of Transport and Main Roads, July 2018.
- *Stabilization of pavement, subgrades and base courses with lime*, Dallas N Little, National Lime Association, Kendall Hunt Publishing Company, 1995.

3 Testing of materials for insitu cement or cementitious blend stabilisation

3.1 Introduction

This section outlines the process for:

- a) sampling and characterising host soil
- b) design procedure to determine the relationship between unconfined compressive strength and stabilising agent content
- c) determining working time, and
- d) measuring the properties of cement treated materials in the field.

This section supports the application of the following departmental documents:

- [Technical Specification MRTS07B Insitu Stabilised Pavements using Cement or Cementitious Blends](#), and
- [Pavement Rehabilitation Manual](#), Section 4.9.6.

In the remainder of this document, the term 'cement' can mean both cement and cementitious blends (that is, combinations of pozzolanic material; such as fly ash, slag and so on, and cement and/or lime).

This process is also applicable to materials stabilised using slow setting additives such as lime / fly ash and lime slag, although these require a longer curing time before testing, usually 28 days.

3.2 Background

In situ cement or cementitious blend stabilisation is a mobile process, during which cement is added to an existing pavement and mixed with a purpose-designed road recycler.

It is essential with all stabilisation work that materials are thoroughly assessed and their reactions with the specific binder to be used in the stabilisation process is properly validated by laboratory testing before any field work commences. Stabilised pavement materials should be tested to determine their quality and uniformity.

The summary of the categories and characteristics of the various types of stabilised materials typically adopted by Transport and Main Roads are shown in the *Guide to Pavement Technology Part 4D: Stabilised Materials*, Austroads, Table 2.1.

3.3 Sampling and characterisation

3.3.1 General

Sample the section under consideration at appropriate intervals to identify material properties and uniformity using the sampling methods in Table 3.3.1. Use of a soil classification system such as the unified soils classification system can assist in identifying the soil types.

For characterisation, bulk samples of 10–50kg will be required, depending on the maximum particle size of the material. For mix design, an additional bulk sample of 90–120kg will be required.

It may be necessary to sample the pavement in a manner that simulates both the mixing and the disruption caused by using up to three passes of a stabiliser. A bobcat or excavator fitted with a profiling / milling head can simulate this mixing. Mill a lateral trench using three passes, retaining all the material for the sample. Do not test this material as part of the characterisation of the pavement; retain this material for the mix design in Section 3.4.

Do not sample materials excluded from the works during construction, such as sprayed surfacing, asphalt or stabilised patches. Before commencing any sampling, obtain clarification of excluded areas.

Sample any material to be imported to add to the pavement for in situ stabilisation at its source, usually a quarry, to obtain a representative sample of the material.

Table 3.3.1 – Test methods used to sample materials

Property	Test Method	Title
Sampling – machine excavated pit or trench	AS 1289.1.2.1	Sampling and preparation of soils – disturbed samples
Sampling from stockpile	Q060	Representative sampling of soils, crushed rock and aggregates
Sampling for stabilisation testing – plant excavation	Q061	Spot sampling of soils, crushed rock and aggregates

3.3.2 Classification

Undertake particle size distribution and Atterberg limits testing using test methods listed in Table 3.3.2 on the samples. Use the results of particle size distribution, Atterberg limits and visual classification to classify the material sampled and to gain a preliminary assessment of the type of stabilisation suitable samples tested. Refer to *Guide to Pavement Technology Part 4D: Stabilised Materials*, Austroads, Table 2.4 or *Pavement Rehabilitation Manual*, Table 4.9 for details. These results are also used to select representative samples for further testing.

Table 3.3.2 – Test methods used to classify materials

Property	Test Method	Title
Particle Size Distribution (Grading)	Q103A	Particle size distribution of soil – wet sieving
Atterberg limits (liquid limit, plastic limit, plasticity index and linear shrinkage)	Q104A or D	Liquid limit of soil
	Q105	Plastic limit and plasticity index of soil
	Q106	Linear shrinkage of soil

3.3.3 Deleterious materials

This is usually not an issue for materials obtained from quarries or existing pavement materials originally obtained from quarries or pits. If there is a concern about the quality of the materials, then testing for deleterious materials as detailed in Section 7.3.2 may be undertaken with the limits in Table 7.3.2 adopted.

3.4 Mix design procedure

This stage is to establish the target cement content for the host soil using the design test methods in Table 3.4.

Table 3.4 – Test methods used for design

Property	Test Method	Title
Unconfined Compressive Strength (UCS)	Q115	UCS of stabilised materials
	Q135A	Addition of stabilising agents
	Q251A	Preparation and compaction of laboratory mix stabilised materials
	Q135B	Curing of moulded specimens of stabilised materials
Capillary rise	Q125D	Capillary rise of stabilised material
Allowable working time	Q136A	Working time of stabilised materials

3.4.1 Cement and supplementary cementitious materials

Where required, cement conforming with the requirements of AS 3972: *General purpose and blended cements* is used in laboratory testing. Source the cement directly from suppliers. Do not use bagged supplies from hardware stores / building suppliers, as the age and condition of the cement is unknown. Instructions for the storage and use of cement are included in Section 8.

Source supplementary cementitious materials (fly ash, slag, silica fume and so on) directly from suppliers and keep dry in airtight containers. While they do not deteriorate with age, discard after 12 months, as the sample may no longer represent the materials currently supplied.

3.4.2 Lime

Where required hydrated lime, conforming with the requirements of Technical Specification MRTS23 *Supply and Delivery of Quicklime and Hydrated Lime for Road Stabilisation*, is to be used exclusively in laboratory testing. Source the hydrated lime directly from suppliers. Do not use bagged supplies from hardware stores / building suppliers, as the age and condition of the lime is unknown. Instructions for the storage and use of lime are included in Section 8.

Obtain a certificate with the available lime index (AL_x) from the supplier for the batch of lime. As an alternative, sample the lime and forward the sample to a laboratory to determine the available lime index. Forward the available lime index certificate, along with other results of testing for the mix design procedure.

Do not use quicklime in the laboratory because of safety concerns, and the need to exercise very tight control over moisture during moulding. If complete hydration of the quicklime does not occur before compaction, carbonation and localised expansion can occur.

3.4.3 Water

Water sources classified by the relevant water authority as 'potable water' do not require any testing. Where other water is used, such as site water, dam water and so on, it shall comply with the requirements in Technical Specification MRTS07B *In situ Stabilised Pavements using Cement or Cementitious Blends*, Clause 6.5 *Water quality*.

3.4.4 Imported material

Where required imported material, use material conforming with the requirements of Technical Specification MRTS05 *Unbound Pavements* in laboratory testing. Source the material directly from the nominated quarry. Add the imported material to the representative samples for the UCS design in proportions nominated by the designer.

3.4.5 UCS test analysis

Use the UCS test to determine the stabilising agent target content. Compact at least three test portions (minimum three specimens at each) at a range of cement contents. The range of cement contents should straddle the target strength with at least one portion below the target strength and one portion above the target strength. Compact additional portions, if required, to straddle the required target strength. The user of the data must be able to interpolate and not extrapolate.

There is a significant influence by density of the strength of all compacted soil. A 1% reduction in relative compaction can reduce the UCS by 5%. Small density variations can easily mask the effects of other variables such as cement content and curing conditions.

Since compacted density has a direct influence on UCS, variation in compaction moisture must be limited. Suggested limit for achieved moisture content are:

$$\text{Achieved moisture content} = \text{target moisture content} \pm 0.3 \text{ percentile units}$$

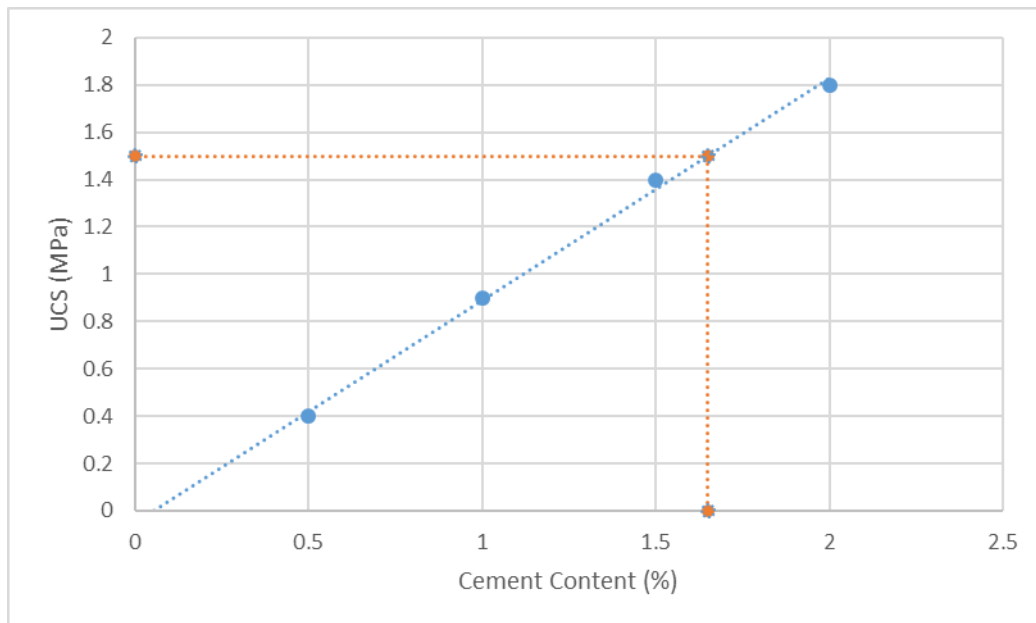
Condition the cement / soil mixture using short-term conditioning; that is, the cement / soil mixture is to condition in an airtight container for 45 minutes before further mixing and compaction.

A standard curing regime comprising moist curing at $23 \pm 2^\circ\text{C}$ for seven days has been adopted as detailed in Test Method Q135B.

All specimens are to be tested using the standard UCS Test Method Q115.

Plot the UCS data versus cement content and determine the cement content corresponding to the target strength (MPa). In Figure 3.4.5, the cement content corresponding with the target strength of 1.5 MPa would be the optimum cement content of 1.65%.

Figure 3.4.5 – Cement content v UCS



3.4.6 Allowable working time

The allowable working time for cement stabilised materials is two hours as detailed in Technical Specification MRTS07B *In situ Stabilised Pavements using Cement or Cementitious Blends*, Clause 8.4 *Allowable working time* unless specified in the annexure to this Technical Specification.

Alternatively, the allowable working time may be determined as detailed in Technical Specification MRTS07B *In situ Stabilised Pavements using Cement or Cementitious Blends*, Clause 8.4 *Allowable working time* using Test Method Q136A.

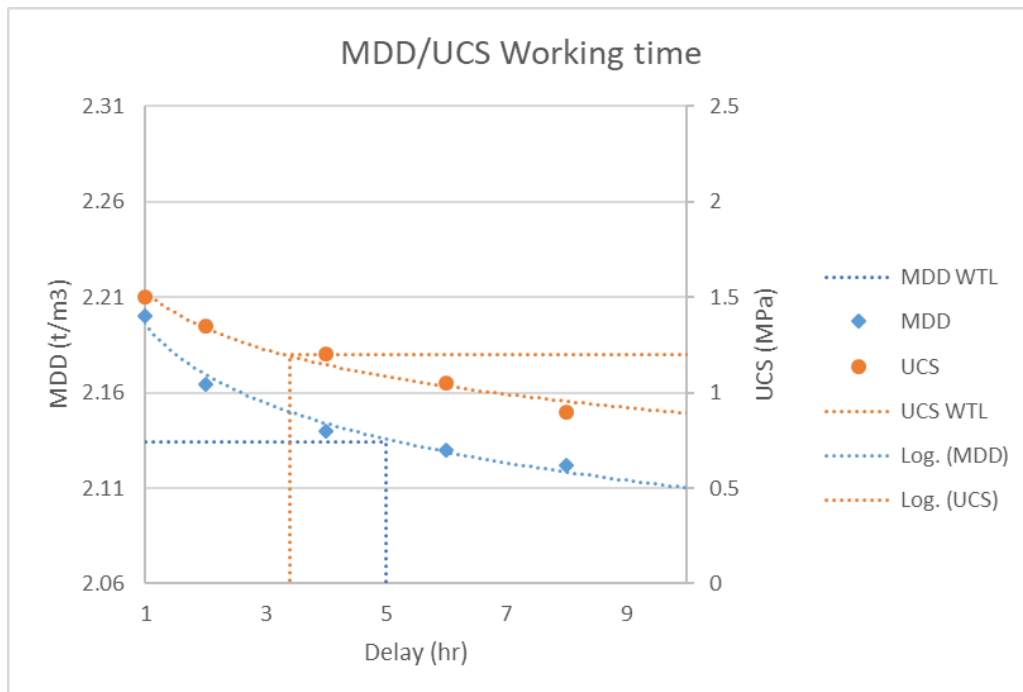
To determine the allowable working time, undertake the test to determine the allowable working time for the stabilising agent and host soil. Compact specimens with a one-hour delay and determine the dry density and UCS to establish a reference maximum dry density (MDD) and reference UCS. Further specimens are compacted with a delay between mixing and compaction which, for cements, will typically be one, two, four, six and eight hours.

These delays reduce the achieved MDD and UCS due to the cement hydrating and reacting with the host soil, reducing the moisture content and increasing the friction between particles. These effects inhibit the reorientation of particles during compaction and therefore reduce the achieved MDD. The lower density also reduces the achieved UCS.

The allowable working time is defined as the delay time that produces a 3% reduction in achieved MDD (that is, 100% to 97%); or a 20% reduction in achieved UCS (that is, 100% to 80%), whichever is the shorter delay time.

Plot the MDD versus time delay and the UCS versus time delay for the cement content and determine the delay at 0.97 of one hour delay MDD ($0.97 \times 2.200 = 2.134$) and 0.80 of one hour delay UCS ($0.80 \times 1.5 = 1.2$). In Figure 3.4.6, the delays corresponding 0.97 MDD and 0.80 UCS are five and four hours respectively; therefore, the allowable working time would be four hours.

Figure 3.4.6 – MDD / UCS v delay



3.5 Field testing - compliance

Undertake field testing to ensure that specification requirements, such as cement content, relative compaction, moisture content and UCS are achieved using the test methods in Table 3.5.

Table 3.5 – Test methods used for compliance

Property	Test Method	Title
Spread rate	Q719	Field spread rate of solid stabilising agents – fabric mat
Compacted density	Q141A	Compacted density of soils and crushed rock (nuclear gauge)
	Q141B	Compacted density of soils and crushed rock (sand replacement)
Reference density	Q142A	Dry density-moisture relationship (standard compaction)
	Q144A	Assignment of MDD and optimum moisture content for soils and crushed rock
Relative compaction	Q140A	Relative compaction of soils and crushed rock
Allowable working time	Q136A	Working time for stabilised materials

3.5.1 Cement content

For insitu stabilisation, a simple mat test is used to measure stabilising agent content. Place one or more 1 m² mats to catch the discharge from the spreader.

3.5.2 Compacted density and reference density

Use nuclear gauge technique for cement modified / stabilised materials provided a wet density and moisture content bias is determined as detailed in the *Nuclear Gauge Testing Manual*. Use of the sand replacement test for measuring insitu density is an alternative, but it is more destructive to the finished pavement.

Measure the reference density using the traditional dry density-moisture relationship test. Complete the sampling and compaction of the reference density sample before the allowable working time for the material has elapsed. A project / material specific allowable working time is determined for each project.

The inherent variability of insitu stabilised materials usually means the employment of a testing regime of one-for-one testing. Such testing involves taking a sample from each insitu density location and determining a reference density.

3.5.3 Moisture content of stabilised material

Monitoring and adjustment of the moisture content of the stabilised material is critical to the performance of the finished pavement.

The moisture ratio of the stabilised material after the final wet incorporation of stabilising agent pass but before compaction should be in the range specified in as detailed in Technical Specification MRTS07B *Insitu Stabilised Pavements using Cement or Cementitious Blends*, Clause 8.8 *Product standards*.

As a minimum frequency, the relative moisture ratio of stabilised materials is assessed at each test location for compaction tests.

3.6 Field testing – verification

Undertake field testing to ensure that design requirement, UCS is achieved using the test method in Table 3.6.

Table 3.6 – Test methods used for verification

Property	Test Method	Title
UCS	Q115	UCS of compacted materials
	Q251B	Preparation and compaction of field mix stabilised materials
	Q135B	Curing of moulded specimens of stabilised material

3.6.1 Field UCS

The UCS test provides additional information on expected field performance relative to design. Mould the field mixed material at field moisture content using standard compaction effort. Cure the moulded specimens under standard conditions prior to testing.

When sampling and making UCS specimens in the field, it is assumed the insitu moisture content will be close to the optimum moisture content of the material. If not, then the achieved dry density and dry density ratio will be likely to be well below the target. This will mean the UCS results for the samples will be lower than target due to the moisture and density being lower than the targets; therefore, care is required in interpreting these results.

4 Testing of materials for plant-mixed cement or cementitious blend stabilisation

4.1 Introduction

This section outlines the process for:

- a) sampling and characterising host soil
- b) design procedure to determine the relationship between UCS and stabilising agent content, and
- c) measuring the properties of cement treated materials at the production plant and in the field.

This section supports the application of the following departmental documents:

- MRTS08 *Plant-Mixed Heavily Bound (Cemented) Pavements*, and
- MRTS10 *Plant-Mixed Lightly Bound Pavements*.

In the remainder of this document, the term 'cement' can mean both cement and cementitious blends (that is, combinations of pozzolanic material; such as fly ash, slag and so on, and cement and/or lime).

This process is also applicable to materials stabilised using slow setting additives such as lime / fly ash and lime slag although these require a longer curing time before testing, usually 28 days.

4.2 Background

Plant-mixed cement stabilisation involves stationary pugmill mixing of cement with an unbound granular material sourced from quarrying or reclaimed construction material. The quality of unbound granular pavement materials used in plant mixing typically conforms to unbound granular specifications for particle size distribution, plasticity and source rock hardness. The stabilised material is delivered to the site in trucks and then paved or spread, compacted, shaped and cured in preparation for the placement of the overlying layers.

It is essential with all stabilisation work that materials are thoroughly assessed and their reactions with the specific binder to be used in the stabilisation process be properly validated by laboratory testing before any field work commences. Stabilised pavement materials should be tested to determine their quality and uniformity.

The summary of the categories and characteristics of the various types of stabilised materials typically adopted by Transport and Main Roads are shown in the *Guide to Pavement Technology Part 4D: Stabilised Materials*, Austroads, Table 2.1.

4.3 Sampling and characterisation

The material to be used must be sampled to ensure compliance with the relevant Technical Specification using the sampling method in Table 4.3. For characterisation, bulk samples of 10–50kg will be required, depending on the maximum particle size of the material. For mix design, an additional bulk sample of 90–120kg will be required. Use the sampling methods in Table 4.3.

Table 4.3 – Test methods used to sample materials

Property	Test Method	Title
Sampling from stockpile	Q060	Representative sampling of soils, crushed rock and aggregates

4.3.1 Classification

Undertake particle size distribution and Atterberg limits testing using test methods listed in Table 4.3.1 on the samples. Use the results of particle size distribution, Atterberg limits and visual classification to classify the material sampled and to gain a preliminary assessment of the type of stabilisation suitable samples tested. Refer to *Guide to Pavement Technology Part 4D: Stabilised Materials*, Austroads, Table 2.4 or *Pavement Rehabilitation Manual*, Table 4.9 for details. These results are also used to select representative samples for further testing.

Table 4.3.1 – Test methods used to classify materials

Property	Test Method	Title
Particle Size Distribution (Grading)	Q103A	Particle size distribution of soil – wet sieving
Atterberg limits (Liquid limit, plastic limit, plasticity index and linear shrinkage)	Q104A or D	Liquid limit of soil
	Q105	Plastic limit and plasticity index of soil
	Q106	Linear shrinkage of soil

4.3.2 Deleterious materials

This is usually not an issue for materials obtained from quarries or existing pavement materials originally obtained from quarries or pits. If there is a concern about the quality of the materials, then testing for deleterious materials as detailed in Section 7.3.2 may be undertaken with the limits in Table 7.3.2 adopted.

4.4 Mix design procedure

This stage is to establish the target cement content for the host soil.

Use the design test methods in Table 4.4.

Table 4.4 – Test methods used for design

Property	Test Method	Title
Unconfined Compressive Strength (UCS)	Q115	UCS of stabilised materials
	Q135A	Addition of stabilising agents
	Q251A	Preparation and compaction of laboratory mix stabilised materials
	Q135B	Curing of moulded specimens of stabilised materials
Capillary rise	Q125D	Capillary rise of stabilised material
Allowable working time	Q136A	Working time of stabilised materials

4.4.1 Cement and supplementary cementitious materials

Where required, cement conforming with the requirements of AS 3972: *General purpose and blended cements* is used in laboratory testing. Source the cement directly from suppliers. Do not use bagged supplies from hardware stores / building suppliers, as the age and condition of the cement is unknown. Instructions for the storage and use of cement are included in Section 8.

Source supplementary cementitious materials (fly ash, slag, silica fume and so on) directly from suppliers and keep dry in airtight containers. While they do not deteriorate with age, discard after 12 months, as the sample may no longer represent the materials currently supplied.

4.4.2 Lime

Where required hydrated lime, conforming with the requirements of Technical Specification MRTS23 *Supply and Delivery of Quicklime and Hydrated Lime for Road Stabilisation*, is to be used exclusively in laboratory testing. Source the hydrated lime directly from suppliers. Do not use bagged supplies from hardware stores / building suppliers, as the age and condition of the lime is unknown. Instructions for the storage and use of lime are included in Section 8.

Obtain a certificate with the available lime index (AL_x) from the supplier for the batch of lime. As an alternative, sample the lime and forward the sample to a laboratory to determine the available lime index. Forward the available lime index certificate, along with other results of testing for the mix design procedure.

Do not use quicklime in the laboratory because of safety concerns, and the need to exercise very tight control over moisture during moulding. If complete hydration of the quicklime does not occur before compaction, carbonation and localised expansion can occur.

4.4.3 Water

Water sources classified by the relevant water authority as 'potable water' do not require any testing. Where other water is used, such as site water, dam water and so on, it shall comply with the requirements in Technical Specifications MRTS10 *Plant-Mixed Lightly Bound Pavements*, Clause 6.5 *Water quality* or MRTS08 *Plant-Mixed Heavily Bound (Cemented) Pavements*, Clause 6.5 *Water quality*.

4.4.4 UCS test analysis

The UCS testing for the mix design is undertaken as detailed in Technical Specification MRTS08 *Plant-Mixed Heavily Bound (Cemented) Pavements*, Clause 7 *Mix design* or MRTS10 *Plant-Mixed Lightly Bound Pavements*, Clause 7 *Mix design*. The testing involves the compaction of at least three test portions (minimum three specimens at each) at a range of cement contents. Where an upper and lower UCS limit applies, such as lightly bound materials, then the range of cement contents should straddle this range and have one portion below the minimum limit and one portion above the maximum limit. Compact additional portions, if required, to straddle the required range. The user of the data must be able to interpolate and not extrapolate.

There is a significant influence by density of the strength of all compacted soil. A 1% reduction in relative compaction can reduce the UCS by 5%. Small density variations can easily mask the effects of other variables such as cement content and curing conditions.

Since compacted density has a direct influence on UCS, variation in compaction moisture must be limited. Suggested limits for achieved moisture content are:

$$\text{Achieved moisture content} = \text{target moisture content} \pm 0.3 \text{ percentile units}$$

Condition the cement / soil mixture using short-term conditioning; that is, the cement / soil mixture is to condition in an airtight container for 45 minutes before further mixing and compaction.

A standard curing regime comprising moist curing at $23 \pm 2^\circ\text{C}$ for seven days for heavily bound material and seven and 28 days for lightly bound material has been adopted as detailed in Test Method Q135B.

All specimens are to be tested using the standard UCS Test Method Q115.

4.4.5 Allowable working time

The allowable working time for cement stabilised materials is four hours as detailed in Technical Specification MRTS08 *Plant-Mixed Heavily Bound (Cemented) Pavements*, Clause 8.2.3 *Allowable working time* or MRTS10 *Plant-Mixed Lightly Bound Pavements*, Clause 8.2.3 *Allowable working time*.

Alternatively, the allowable working time may be determined for heavily bound or lightly bound materials using Test Method Q136A. An example of the process for determining the allowable working time is detailed in Section 3.4.6.

4.5 Production testing – compliance

Undertake production testing to ensure that specification requirements, such as cement content and UCS are in compliance using the test methods in Table 4.5.

Table 4.5 – Test methods used for compliance

Property	Test Method	Title
Cement content	Q134	Stabilising agent content – heat of neutralisation
Reference density	Q142A	Dry density-moisture relationship (standard compaction)
	Q144A	Assignment of MDD and optimum moisture content for soils and crushed rock
Unconfined compressive strength (UCS)	Q115	UCS of compacted materials
	Q251B	Preparation and compaction of field mix stabilised materials
	Q135B	Curing of moulded specimens of stabilised materials

4.5.1 Cement content

For plant-mixed stabilisation, the Heat of Neutralisation test is a rapid low-cost field test. Samples of both the un-stabilised material and the stabilising agent are required prior to performing this test.

4.5.2 Reference density

The plant-mixed stabilised materials are uniform, which allows the use of testing regime using an assigned reference density. Such testing involves taking a sample from the quarry stockpile and adding the target additive content to the materials and determining a reference density. An initial value based on the average of six tests is used. This is then updated every 10,000 tonnes using one new test and calculating a rolling average.

4.5.3 Production UCS

The UCS test is a compliance test for plant-mixed materials. Use the reference density results (MDD / OMC) for the material to determine the wet mass per layer using the process as detailed in Test Method Q145A. Mould the material at the 'as produced' moisture content using standard compaction effort. Cure the moulded specimens under standard conditions prior to testing.

4.6 Field testing – compliance

Undertake field testing to ensure that specification requirements, such as relative compaction, are in compliance using the test methods in Table 4.6.

Table 4.6 – Test methods used for compliance

Property	Test Method	Title
Compacted density	Q141A	Compacted density of soils and crushed rock (nuclear gauge)
	Q141B	Compacted density of soils and crushed rock (sand replacement)
Relative Compaction	Q140A	Relative compaction of soils and crushed rock

4.6.1 Compacted density

Use nuclear gauge technique for cement modified / stabilised materials provided a wet density and moisture content bias is determined as detailed in the *Nuclear Gauge Testing Manual*. Use of the sand replacement test for measuring insitu density is an alternative, but it is more destructive to the finished pavement.

5 Testing of materials for insitu foamed bitumen stabilisation

5.1 Introduction

This section outlines the process for:

- sampling and characterising host soil
- design procedure to determine the properties of material stabilised with foamed bitumen and a secondary stabilising agent, and
- measuring the properties of foamed bitumen stabilised materials in the field.

This section supports the application of the following departmental documents:

- MRTS07C *Insitu Stabilised Pavements using Foamed Bitumen*, and
- Pavement Rehabilitation Manual*, Clause 4.9.8.

5.2 Background

Insitu foamed bitumen stabilisation is a mobile process of mixing bitumen (in a foamed state), the primary stabilising agent, and a secondary stabilising agent, usually hydrated lime, into pavement materials, with the intention of improving the strength and moisture resistance of the existing un-stabilised material(s). The purpose of the bitumen (in conjunction with the secondary stabilising agent) is to achieve a strong yet flexible pavement layer compared to other stabilisation treatments, such as those using cement.

The aim is to provide a material that:

- has enough strength for early trafficking, assessed using minimum initial modulus
- is strong and flexible, assessed using minimum three-day cured modulus, and
- is able to withstand inundation, assessed using minimum three-day soaked modulus and minimum retained modulus.

The summary of the categories and characteristics of the various types of stabilised materials typically adopted by Transport and Main Roads are shown in the *Guide to Pavement Technology Part 4D: Stabilised Materials*, Austroads, Table 2.1.

The design limits for insitu stabilised materials are shown in the *Pavement Rehabilitation Manual*, Transport and Main Roads in Tables 4.9.8.5.1(a), 4.9.8.5.1(b) and 4.9.8.5.1(c).

5.3 Sampling and characterisation

Sample the section under consideration at appropriate intervals to identify material properties and uniformity using the sampling methods in Table 5.3. Use of a soil classification system such as the unified soils classification system can assist in identifying the soil types.

For characterisation, bulk samples of 10–50kg will be required, depending on the maximum particle size of the material. For mix design, an additional bulk sample of 70–90kg will be required.

It may be necessary to sample the pavement in a manner that simulates both the mixing and the disruption caused by using up to three passes of a stabiliser. A bobcat or excavator fitted with a profiling / milling head can simulate this mixing. Mill a lateral trench using three passes retaining all the material for the sample. Do not test this material as part of the characterisation of the pavement; retain this material for the mix design in Section 5.4.

Do not sample materials excluded from the works during construction, such as sprayed surfacing, asphalt or stabilised patches. Before commencing any sampling, obtain clarification sampling of materials.

Sample any material to be imported to add to the pavement for insitu stabilisation at its source, usually a quarry, to obtain a representative sample of the material.

Table 5.3 – Test methods used to sample materials

Property	Test Method	Title
Sampling – machine excavated pit or trench	AS 1289.1.2.1	Sampling and preparation of soils – disturbed samples
Sampling from stockpile	Q060	Representative sampling of soils, crushed rock and aggregates
Sampling for stabilisation testing – plant excavation	Q061	Spot sampling of soils, crushed rock and aggregates

5.3.1 Classification

Undertake particle size distribution and Atterberg limits testing using test methods listed in Table 5.3.1 on the samples. Use the results of particle size distribution, Atterberg limits and visual classification to classify the material sampled and to gain a preliminary assessment of the type of stabilisation suitable samples tested. Refer to *Guide to Pavement Technology Part 4D: Stabilised Materials*, Austroads, Table 2.4 for details. These results are also used to select representative samples for further testing.

Additional requirements for materials that are suitable for stabilisation are detailed in the *Pavement Rehabilitation Manual*, Clause 4.9.8.4.1 *Suitability of materials to be stabilised – general*.

Table 5.3.1 – Test methods used to classify materials

Property	Test Method	Title
Particle Size Distribution (Grading)	Q103A	Particle size distribution of soil – wet sieving
Atterberg limits (Liquid limit, plastic limit, plasticity index and linear shrinkage)	Q104A or D	Liquid limit of soil
	Q105	Plastic limit and plasticity index of soil
	Q106	Linear shrinkage of soil

5.3.2 Deleterious materials

This is usually not an issue for materials obtained from quarries or existing pavement materials originally obtained from quarries; however, materials need to be free of organic or other deleterious materials. The water-soluble sulfate content must not exceed 1.9g of sulfate (expressed as SO₃) per litre.

Use the test methods in Table 5.3.2 to identify deleterious materials.

Table 5.3.2 – Test methods used to identify deleterious materials

Property	Test Method	Title
Organic content	Q120B	Organic content of soil – loss on ignition
Sulfate content	AS 1289.4.2.1	Determination of the sulfate content of a natural soil and the sulfate content of the groundwater

5.4 Mix design

This stage of the procedure is to establish the suitability of stabilising the host material with foamed bitumen. Perform this with samples prepared at 70% OMC, with 3.0% bitumen and 2.0% lime. If the host material is suitable it may, for larger projects, be appropriate to perform further testing to optimise the bitumen and lime contents.

Use the design test methods in Table 5.4.

Table 5.4 – Test methods used for design

Property	Test Method	Title
Resilient modulus	Q139	Resilient modulus of stabilised material – indirect tensile method
	Q138A	Preparation and compaction of laboratory mixed foamed bitumen stabilised material
	Q138B	Preparation and compaction of field mix foamed bitumen stabilised material
	Q135C	Curing moulded specimens of foamed bitumen stabilised material
Compacted density and moisture content	Q147B	Compacted density of stabilised material – vacuum saturation
Optimum moisture content	Q142A	Dry density-moisture relationship (standard compaction)
Available lime	AS 4489.6.1	Lime index – available lime

Property	Test Method	Title
Dynamic viscosity	AS 2341.2	Determination of dynamic (coefficient of shear) viscosity by flow through a capillary tube
Sulfate content of groundwater	AS 1289.4.2.1	Determination of the sulfate content of a natural soil and the sulfate content of the groundwater
Expansion ratio and half-life	AG:PT/T301	Determining the foaming characteristics of bitumen

5.4.1 Lime

Hydrated lime, conforming with the requirements of Technical Specification MRTS23 *Supply and Delivery of Quicklime and Hydrated Lime for Road Stabilisation*, is to be used exclusively in laboratory testing. Source the hydrated lime directly from suppliers. Do not use bagged supplies from hardware stores / building suppliers, as the age and condition of the lime is unknown. Instructions for the storage and use of lime are included in Section 8.

Obtain a certificate with the available lime index (AL_x) from the supplier for the batch of lime. As an alternative, sample the lime and forward the sample to a laboratory to determine the available lime index. Forward the available lime index certificate, along with other results of testing for the mix design procedure. This allows the lime content to be adjusted for a different quality of lime as detailed in Technical Specification MRTS07C *In situ Stabilised Pavements using Foamed Bitumen*, Clause 6.3 *Stabilising agents*.

Do not use quicklime in the laboratory because of safety concerns, and the need to exercise very tight control over moisture during moulding. If complete hydration of the quicklime does not occur before compaction, carbonation and localised expansion can occur.

5.4.2 Supplementary cementitious materials

Source supplementary cementitious materials (fly ash, slag, silica fume and so on) directly from suppliers and keep dry in airtight containers. While they do not deteriorate with age, discard after 12 months, as the sample may no longer represent the materials currently supplied.

5.4.3 Bitumen

Use Class 170 bitumen for all foamed bitumen designs. Check each batch of bitumen for viscosity before use. A sample of the batch should be foamed, and the foaming apparatus adjusted to provide expansion ratio of at least 10 and a half-life of at least 20 seconds. This will usually require a foaming water content of 3.0%; however, this should be optimised for each batch of bitumen. A foaming additive (satisfactory performance has been observed by Inter-foam and Terric 311) may be required to foam the bitumen, additional foaming trials will be required to determine the optimum addition rate for the foaming additive.

5.4.4 Water

Where other water is used, such as site water, dam water and so on, it shall comply with the requirements in Technical Specification MRTS07C *In situ Stabilised Pavements using Foamed Bitumen*, Clause 6.4 *Water*.

5.4.5 Imported material

Where imported material is required, use material conforming with the requirements of Technical Specification MRTS05 *Unbound Pavements* in laboratory testing. Source the material directly from the nominated quarry. Add the imported material to the representative samples for the resilient modulus testing in proportions nominated by the designer.

5.4.6 Resilient modulus

The resilient modulus is determined by performing a resilient modulus test on a minimum of three specimens prepared at a single bitumen and lime content. These are usually prepared at 70% OMC, with 3.0% bitumen content and lime content between 1.5–2.0% as detailed in Test Method Q138A.

A standard curing and testing regime is undertaken as detailed in Test Method Q135C and the specimens are then tested as detailed in Test Method Q139 to determine the initial modulus, three-day cured modulus and three-day soaked modulus. The compacted density and moisture content of the specimens may be determined as detailed in Test Method Q147B.

5.4.7 Analysis

If the results obtained from the resilient modulus testing comply with the specific design limits from the *Pavement Rehabilitation Manual* Tables 4.9.8.4.1(a), 4.9.8.5.1(b) and 4.9.8.5.1(c), then the host material can be stabilised using the moisture condition, bitumen content and lime content from Section 5.4.6.

5.4.8 Optimisation

For large projects, it may be worthwhile to conduct further design testings, varying the bitumen and lime contents to optimise bitumen and lime contents.

5.4.9 Allowable working time

The allowable working time for insitu stabilised materials is 6.5 hours as detailed in Technical Specification MRTS07C *Insitu Stabilised Pavements using Foamed Bitumen*, Clause 8.4 *Allowable working time* unless specified in the annexure to this Technical Specification.

5.5 Field testing – compliance

Undertake production testing to ensure compliance with the specification for properties such as bitumen content, hydrated lime content and relative moisture ratio using the test methods in Table 5.5.

Table 5.5 – Test methods used for compliance

Property	Test Method	Title
Spread rate	Q719	Field spread rate of solid stabilising agents – fabric mat
Bitumen content	Q118	Bitumen content of stabilised material
Compacted density	Q141A	Compacted density of soils and crushed rock (nuclear gauge)
	Q141B	Compacted density of soils and crushed rock (sand replacement)

Property	Test Method	Title
Reference density	Q142A	Dry density – moisture relationship (standard compaction)
	Q144A	Assignment of MDD and optimum moisture content for soils and crushed rock
Relative Compaction	Q140A	Relative compaction of soils and crushed rock

5.5.1 Lime content

For insitu stabilisation, a simple mat test is used to measure stabilising agent spread rate. Place one or more 1m² mats to catch the discharge from the spreader.

5.5.2 Bitumen content

Measure the bitumen content using a solvent extraction method. Normally the testing is performed in a specialised laboratory.

5.5.3 Compacted density and reference density

Use nuclear gauge technique for cement modified / stabilised materials provided a wet density and moisture content bias is determined as detailed in the *Nuclear Gauge Testing Manual*. Use of the sand replacement test for measuring insitu density is an alternative, but it is more destructive to the finished pavement.

Measure the reference density using the traditional dry density-moisture relationship test. Complete the sampling and compaction of the reference density sample before the allowable working time for the material has elapsed. A project / material specific allowable working time is determined for each project.

The inherent variability of insitu stabilised materials usually means the employment of a testing regime of one-for-one testing. Such testing involves taking a sample from each insitu density location and determining a reference density.

5.5.4 Moisture content of stabilised material

Monitoring and adjustment of the moisture content of the stabilised material is critical to the performance of the finished pavement.

The moisture ratio of the stabilised material after the final wet incorporation pass but before compaction, should be in the range specified in as detailed in Technical Specification MRTS07C *Insitu Stabilised Pavements using Foamed Bitumen*, Clause 8.8 *Product standards*.

As a minimum frequency, the relative moisture ratio of stabilised materials is assessed at each test location for compaction tests.

5.5.5 Field testing - verification

Undertake testing to verify that particular design parameters, such as resilient modulus are in compliance, and where necessary fine-tune the design and production processes using the test methods in Table 5.6.

Table 5.6 – Test methods used for verification

Property	Test Method	Title
Resilient modulus	Q139	Resilient modulus of stabilised material – indirect tensile method
	Q138B	Preparation and compaction of field mix foamed bitumen stabilised material
	Q135C	Curing moulded specimens of foamed bitumen stabilised material
Compacted density and moisture content	Q147B	Compacted density of stabilised material – vacuum saturation

5.5.6 Field modulus

The resilient modulus test provides additional information on expected field performance relative to design. Mould the field mixed material at field moisture content as detailed in Test Method Q138B. Cure the moulded specimens under standard conditions prior to testing as detailed in Test Method Q135C. Test the specimens as detailed in Test Method Q139 to determine the initial modulus, three-day cured modulus and three-day soaked modulus. The compacted density and moisture content of the specimens may be determined as detailed in Test Method Q147B.

When sampling and making resilient modulus specimens in the field, assume the insitu moisture content will be close to the target moisture content of the material. If not, then the achieved dry density and dry density ratio will vary from the design; therefore, care is required in interpreting these results.

6 Testing of materials for plant-mixed foamed bitumen stabilisation

6.1 Introduction

This section outlines the process for:

- a) sampling and characterising host soil
- b) design procedure to determine the properties of material stabilised with foamed bitumen and a secondary stabilising agent, and
- c) measuring the properties of foamed bitumen stabilised materials at the production plant and in the field.

This section supports the application of the following departmental documents:

- MRTS09 *Plant-Mixed Pavement Layers Stabilised using Foamed Bitumen*.

6.2 Background

Plant-mixed foamed bitumen stabilisation involves stationary pugmill mixing of bitumen (in a foamed state), the primary stabilising agent, and a secondary stabilising agent, usually hydrated lime, into pavement materials, with the intention of improving the strength and moisture resistance of the existing un-stabilised material(s). The purpose of the bitumen (in conjunction with the secondary stabilising agent) is to achieve a strong yet flexible pavement layer compared to other stabilisation treatments, such as those using cement.

The aim is to provide a material that:

- has enough strength for early trafficking, assessed using minimum initial modulus
- is strong and flexible, assessed using minimum three-day cured modulus, and
- is able to withstand inundation, assessed using minimum three-day soaked modulus and minimum retained modulus.

The summary of the categories and characteristics of the various types of stabilised materials typically adopted by Transport and Main Roads are shown in the *Guide to Pavement Technology Part 4D: Stabilised Materials*, Austroads, Table 2.1.

6.2.1 Laboratory trial

A laboratory trial must be undertaken as specified in Technical Specification MRTS09 *Plant-Mixed Pavement Layers Stabilised using Foamed Bitumen*, Clause 7.4.1, with the stabilised materials conforming with the requirements in Tables 5.2.2(a) and 5.2.2(b) of the Technical Specification.

6.2.2 Plant production trial

The nominated mix from Section 6.2.1 is then produced at the proposed production plant and sampled and tested as specified in Technical Specification MRTS09 *Plant-Mixed Pavement Layers Stabilised using Foamed Bitumen*, Clause 7.4.2, with produced material conforming with the requirements in Table 5.2.2(b) of the Technical Specification.

6.3 Sampling and characterisation

Sample the section under consideration at regular intervals to identify material types and changes within any material using the sampling methods listed in Table 6.3. For characterisation, bulk samples of 10–50kg will be required, depending on the maximum particle size of the material. For mix designs, an additional bulk sample of 70–90kg will be required.

For plant-mixed stabilisation, sample the material at its source, usually a quarry, to obtain a representative sample of the material to be used.

Table 6.3 – Test methods used to sample materials

Property	Test Method	Title
Sampling – machine excavated pit or trench	AS 1289.1.2.1	Sampling and preparation of soils – disturbed samples
Sampling from stockpile	Q060	Representative sampling of soils, crushed rock and aggregates

6.3.1 Classification

Undertake particle size distribution and Atterberg limits testing using test methods listed in Table 6.3.1 on the samples. Use the results of particle size distribution, Atterberg limits and visual classification to classify the material sampled and to gain a preliminary assessment of the type of stabilisation suitable samples tested. Refer to *Guide to Pavement Technology Part 4D: Stabilised Materials*, Austroads, Table 2.4 for details. These results are also used to select representative samples for further testing.

Additional requirements for materials are detailed in Technical Specification MRTS09 *Plant-Mixed Pavement Layers Stabilised using Foamed Bitumen*, Clause 6.1 *Materials to be stabilised*.

Table 6.3.1 – Test methods used to classify materials

Property	Test Method	Title
Particle Size Distribution (Grading)	Q103A	Particle size distribution of soil – wet sieving
Atterberg limits (Liquid limit, plastic limit, plasticity index and linear shrinkage)	Q104A or D	Liquid limit of soil
	Q105	Plastic limit and plasticity index of soil
	Q106	Linear shrinkage of soil

6.3.2 Deleterious materials

This is usually not an issue for materials obtained from quarries. The water-soluble sulfate content must not exceed 1.9g of sulfate (expressed as SO₃) per litre.

Use the test method in Table 6.3.2 to identify deleterious materials.

Table 6.3.2 – Test methods used to identify deleterious material

Property	Test Method	Title
Sulfate content	AS 1289.4.2.1	Determination of the sulfate content of a natural soil and the sulfate content of the groundwater

6.4 Mix design

This stage of the procedure is to establish the suitability of stabilising the host material with foamed bitumen. Perform this with samples prepared at 70% OMC, with 3.0% bitumen and 2.0% lime. If the host material is suitable it may, for larger projects, be appropriate to perform further testing to optimise the bitumen and lime contents. Use the design test methods in Table 6.4.

Table 6.4 – Test methods used for design

Property	Test Method	Title
Resilient modulus	Q139	Resilient modulus of stabilised material – indirect tensile method
	Q138A	Preparation and compaction of laboratory mixed foamed bitumen stabilised material
	Q138B	Preparation and compaction of field mix foamed bitumen stabilised material
	Q135C	Curing moulded specimens of foamed bitumen stabilised material
Compacted density and moisture content	Q147B	Compacted density of stabilised material – vacuum saturation
Optimum moisture content	Q142A	Dry density-moisture relationship (standard compaction)
Available lime	AS 4489.6.1	Lime index – available lime

Property	Test Method	Title
Dynamic viscosity	AS 2341.2	Determination of dynamic (coefficient of shear) viscosity by flow through a capillary tube
Sulfate content of groundwater	AS 1289.4.2.1	Determination of the sulfate content of a natural soil and the sulfate content of the groundwater
Expansion ratio and half-life	AG:PT/T301	Determining the foaming characteristics of bitumen

6.4.1 Lime

Hydrated lime, conforming with the requirements of Technical Specification MRTS23 *Supply and Delivery of Quicklime and Hydrated Lime for Road Stabilisation*, is to be used exclusively in laboratory testing. Source the hydrated lime directly from suppliers. Do not use bagged supplies from hardware stores / building suppliers, as the age and condition of the lime is unknown. Instructions for the storage and use of lime are included in Section 8.

Obtain a certificate with the available lime index (AL_x) from the supplier for the batch of lime. As an alternative, sample the lime and forward the sample to a laboratory to determine the available lime index. Forward the available lime index certificate, along with other results of testing for the mix design procedure. This allows the lime content to be adjusted for a different quality of lime as detailed in Technical Specification MRTS09 *Plant-Mixed Pavement Layers Stabilised using Foamed Bitumen*, Clause 6.2 *Stabilising agents*.

Do not use quicklime in the laboratory because of safety concerns, and the need to exercise very tight control over moisture during moulding. If complete hydration of the quicklime does not occur before compaction, carbonation and localised expansion can occur.

6.4.2 Supplementary cementitious materials

Source supplementary cementitious materials (fly ash, slag, silica fume and so on) directly from suppliers and keep dry in airtight containers. While they do not deteriorate with age, discard after 12 months, as the sample may no longer represent the materials currently supplied.

6.4.3 Bitumen

Use Class 170 bitumen for all foamed bitumen designs. Check each batch of bitumen for viscosity before use. A sample of the batch should be foamed and the foaming apparatus adjusted to provide expansion ratio of at least 10 and a half-life of at least 20 seconds. This will usually require a foaming water content of 3.0%; however, this should be optimised for each batch of bitumen. A foaming additive (satisfactory performance has been observed by Inter-foam and Terric 311) may be required to foam the bitumen; additional foaming trials will be required to determine the optimum addition rate for the foaming additive.

6.4.4 Water

Where other water is used, such as site water, dam water and so on, it shall comply with the requirements in Technical Specification MRTS09 *Plant-Mixed Pavement Layers Stabilised using Foamed Bitumen*, Clause 6.3 *Water*.

6.4.5 Resilient modulus

The resilient modulus is determined by performing a resilient modulus test on a minimum of three specimens prepared at a single bitumen and lime content. These are usually prepared at 70% OMC, with 3.0% bitumen content and lime content between 1.5–2.0% as detailed in Test Method Q138A.

A standard curing and testing regime is undertaken as detailed in Test Method Q135C and the specimens are then tested as detailed in Test Method Q139 to determine the initial modulus, three-day cured modulus and three-day soaked modulus. The compacted density and moisture content of the specimens may be determined as detailed in Test Method Q147B.

6.4.6 Analysis

If the results obtained from the resilient modulus testing comply with the requirements of the *Guide to Pavement Technology Part 4D: Stabilised Materials*, Austroads in Table 5.9, then the host material can be stabilised using the moisture condition, bitumen content and lime content from Section 6.4.5.

6.4.7 Optimisation

For large projects, it may be worthwhile to adjust the bitumen and lime contents to find an optimal bitumen / lime content.

6.4.8 Allowable working time

The allowable working time for plant-mixed materials is eight hours as detailed in Technical Specification MRTS09 *Plant-Mixed Pavement Layers Stabilised using Foamed Bitumen*, Clause 8.6 *Allowable working time* unless specified in the annexure to this Technical Specification.

6.5 Production testing – compliance

Undertake product testing to ensure compliance with the specification for properties such as bitumen content, hydrated lime content and relative moisture ratio using the test methods in Table 6.5.

Table 6.5 – Test methods used for production compliance

Property	Test Method	Title
Reference density	Q142A	Dry density-moisture relationship (standard compaction)
	Q144A	Assignment of MDD and optimum moisture content for soils and crushed rock
Relative moisture ratio	Q250	Relative moisture content of soils and crushed rock
Allowable working time	Q136B	Working time for stabilised materials

6.5.1 Lime content

For plant-mixed materials, the lime content is controlled using load cells on the lime bins to measure the amount of lime added to the material.

6.5.2 Bitumen content

For plant-mixed materials, control of the bitumen content using flow meters to measure the amount of bitumen added to the material is allowed in the Technical Specification..

6.5.3 Moisture content of feed stockpile and stabilised material

Monitoring and adjustment of the moisture content of the feed stockpiles and stabilised material stockpiles is critical to the performance of the final pavement.

The relative moisture ratio of the feed stockpile and stabilised material stockpile should be in the range specified in as detailed in Technical Specification MRTS09 *Plant-Mixed Pavement Layers Stabilised using Foamed Bitumen*, Clause 8.9.6 *Relative Moisture Ratio of Feed Stockpiles (RMR FSP)* or Clause 9.8 *Relative Moisture Ratio Foamed Bitumen (RMR FB)* respectively.

6.5.4 Reference density

Measure the reference density using the traditional dry density-moisture relationship test. Complete the sampling and compaction of the reference density sample before the allowable working time for the material has elapsed.

The plant-mixed stabilised materials are uniform, which allows the use of testing regime using an assigned reference density. Such testing involves taking a sample from the quarry stockpile and adding the target additive content to the materials and determining a reference density. An initial value based on the average of six tests is used. This is then updated every 10,000 tonnes using one new test and calculating a rolling average.

If this is not possible, employ a testing regime of one-for-one testing. Such testing involves taking a sample of uncompacted material from each insitu density location and determining a reference density.

6.6 Production testing – verification

Undertake testing to verify that particular design parameters such as resilient modulus are in compliance, and where necessary fine-tune the design and production processes using the test methods in Table 6.6.

Table 6.6 – Test methods used for verification

Property	Test Method	Title
Resilient modulus	Q139	Resilient modulus of stabilised material – indirect tensile method
	Q138B	Preparation and compaction of field mix foamed bitumen stabilised material
	Q135C	Curing moulded specimens of foamed bitumen stabilised material
Compacted density and moisture content	Q147B	Compacted density of stabilised material – vacuum saturation

6.6.1 Field modulus

The resilient modulus test provides additional information on expected field performance relative to design. Mould the field mixed material at field moisture content as detailed in Test Method Q138B. Cure the moulded specimens under standard conditions prior to testing as detailed in Test Method Q135C. Test the specimens as detailed in Test Method Q139 to determine the initial modulus, three-day cured modulus, three-day soaked modulus, seven-day cured modulus, seven-day soaked modulus, 14-day cured modulus and 14-day soaked modulus. The compacted density and moisture content of the specimens may be determined as detailed in Test Method Q147B.

When sampling and making resilient modulus specimens in the field, assume the insitu moisture content will be close to the target moisture content of the material. If not, then the achieved dry density and dry density ratio will vary from the design; therefore, care is required in interpreting these results.

6.7 Field testing – compliance

Undertake field testing to ensure compliance with the specification for properties such as relative moisture ratio and relative compaction are achieved using the test methods in Table 6.7.

Table 6.7 – Test methods used for compliance

Property	Test Method	Title
Compacted density	Q141A	Compacted density of soils and crushed rock (nuclear gauge)
	Q141B	Compacted density of soils and crushed rock (sand replacement)
Relative Compaction	Q140A	Relative compaction of soils and crushed rock

6.7.1 Compacted density and reference density

Use nuclear gauge technique for cement modified / stabilised materials provided a wet density and moisture content bias is determined as detailed in the *Nuclear Gauge Testing Manual*. Use of the sand replacement test for measuring insitu density is an alternative, but it is more destructive to the finished pavement.

7 Testing of materials for lime stabilisation

7.1 Introduction

This section outlines the process for:

- sampling and characterising host soil
- design procedure to determine the relationship between unconfined compressive strength and stabilising agent content, and
- measuring the properties of lime treated materials in the field.

This section supports the application of the following departmental documents:

- MRTS07A *Insitu Stabilised Subgrades using Quicklime or Hydrated Lime*
- MRTS23 *Supply and Delivery of Quicklime and Hydrated Lime for Road Stabilisation*, and
- Pavement Rehabilitation Manual*, Section 4.9.7.

7.2 Background

Insitu treatment of clay subgrades is a mobile process, during which lime, which has been either previously hydrated or hydrated on site by adding water (slaking) into a subgrade, is mixed with a purpose-designed road recycler to increase subgrade strengths. This may be done to modify the subgrade (that is, usually achieve a temporary strength gain) or it may be added to stabilise it (that is, achieve a permanent increase in strength). In the case of the latter, sufficient lime must be added to ensure that these strength gains are permanent.

The summary of the categories and characteristics of the various types of stabilised materials typically adopted by Transport and Main Roads are shown in the *Guide to Pavement Technology Part 4D: Stabilised Materials*, Austroads, Table 2.1.

For modification, the changes to soil properties result from an initial ionic exchange that results in flocculation of the clay particles. Modification occurs with addition of relatively low amounts of lime to a soil. This will have a dramatic effect on the soil and improve workability and increased shear strength. It will, however, increase the permeability of the soil.

For stabilisation, adding increased amounts of lime produces a pozzolanic reaction between the silica and alumina in the clay minerals and the calcium hydroxide in the lime. Permanent and ongoing reactions occur when sufficient lime is added: these reactions produce a flexible layer with decreased permeability and a significant increase in shear strength.

For further details, refer to Section 4.9.7 of the *Pavement Rehabilitation Manual*.

7.3 Sampling and characterisation

Sample the section under consideration at appropriate intervals to identify material properties and uniformity using the sampling methods in Table 7.3. Use of a soil classification system such as the unified soils classification system can assist in identifying the soil types.

For characterisation, bulk samples of 10–50kg will be required, depending on the maximum particle size of the material. For mix design, an additional bulk sample of 70–90kg will be required.

Table 7.3 – Test methods used to sample materials

Property	Test Method	Title
Sampling – machine excavated pit or trench	AS 1289.1.2.1	Sampling and preparation of soils – disturbed samples

7.3.1 Classification

Undertake particle size distribution and Atterberg limits testing using test methods listed in Table 7.3.1 on the samples. Use the results of particle size distribution, Atterberg limits and visual classification to classify the material sampled and to gain a preliminary assessment of the type of stabilisation suitable samples tested. Refer to *Guide to Pavement Technology Part 4D: Stabilised Materials*, Austroads, Table 2.4 for details. These results are also used to select representative samples for further testing.

Refer to *Pavement Rehabilitation Manual*, Section 4.9.7 and Technical Specification MRTS07A *In situ Stabilised Subgrades using Quicklime or Hydrated Lime*, Clause 8.7.2 *Removal and disposal of material not suitable for stabilisation* for more details.

Table 7.3.1 – Test methods used to classify materials

Property	Test Method	Title
Particle Size Distribution (Grading)	AS 1289.3.6.1	Particle size distribution of soil – wet sieving
	AS 1289.3.6.3	Particle size distribution of soil – hydrometer
Atterberg limits (Liquid limit, plastic limit, plasticity index and linear shrinkage)	AS 1289.3.1.1 or 3.1.2	Liquid limit of soil
	AS 1289.3.2.1 and 3.3.1	Plastic limit and plasticity index of soil
	AS 1289.3.4.1	Linear shrinkage of soil

7.3.2 Deleterious materials

Testing for deleterious materials includes the determination of sulfate, organic content and ferrous oxide contents using the test methods listed in Table 7.3.2. Organic matter interferes with the hydration process as well as competing for available stabilising agent – water paste. Sulfates can also interfere with pozzolanic reactions due to the formation of very expansive hydrates which, if formed, after compaction and can result in heave. Ferrous oxide can also interfere with pozzolanic reactions; however, there are no specific limits in the literature at this stage. Recent experience has indicated that contents greater than 10% have a deleterious effect on stabilised materials. Seek advice for ferric oxide values greater than 2%.

Materials must not exceed the deleterious materials limits shown in MRTS07A *In situ Stabilised Subgrades using Quicklime or Hydrated Lime*, Table 6.1 *Deleterious material limits*.

Additionally, any new material incorporated into the works shall not have deleterious materials exceeding the limits specified in Technical Specification MRTS07A *In situ Stabilised Subgrades using Quicklime or Hydrated Lime*, Clause 6.1 *New material to replace material not suitable for stabilisation*.

Table 7.3.2 – Test methods used to identify deleterious materials

Property	Test Method	Title
Organic content	Q120B	Organic content of soil – loss on ignition
Sulfate content	AS 1289.4.2.1	Determination of the sulfate content of a natural soil and the sulfate content of the groundwater
Ferrous oxide (FeO)	In-house*	Determination of ferrous iron by acid digestion

* Private analytical laboratories will use in-house methods based on classical techniques.

7.4 Mix design procedure

This procedure is used to establish the reactivity of the host soil with lime and to establish whether pozzolanic reactions will occur to produce substantial strength. It is essential that long-term pozzolanic bonds are formed and that the resulting soil matrix is sufficiently coherent to ensure long-term durability. A densely bonded matrix is less susceptible to moisture, and has improved resistance to carbonation, leaching of lime or erosion.

Use the design test methods in Table 7.4.

Table 7.4 – Test methods used for design

Property	Test method	Title
Lime demand	Q133	Lime demand of soil
Unconfined Compressive Strength (UCS)	Q115	UCS of stabilised materials
	Q251A	Preparation and compaction of laboratory mix stabilised materials
	Q251C	Preparation and compaction of soils
	Q135A	Addition of stabilising agents
	Q135B	Curing of moulded specimens of stabilised materials
Capillary rise	Q125D	Capillary rise of stabilised material
Available lime	AS 4489.6.1	Lime index – available lime

7.4.1 Lime

Where required hydrated lime, conforming with the requirements of Technical Specification MRTS23 *Supply and Delivery of Quicklime and Hydrated Lime for Road Stabilisation*, is to be used exclusively in laboratory testing. Source the hydrated lime directly from suppliers. Do not use bagged supplies from hardware stores / building suppliers, as the age and condition of the lime is unknown. Instructions for the storage and use of lime are included in Section 8.

Obtain a certificate with the available lime index (AL_x) from the supplier for the batch of lime. As an alternative, sample the lime and forward the sample to a laboratory to determine the available lime index. Forward the available lime index certificate, along with other results of testing for the mix design procedure. This allows the lime content to be adjusted for a different quality of lime as detailed in Technical Specification MRTS07A *In situ Stabilised Subgrades using Quicklime or Hydrated Lime*, Clause 6.2 *Stabilising agent*.

Do not use quicklime in the laboratory because of safety concerns, and the need to exercise very tight control over moisture during moulding. If complete hydration of the quicklime does not occur before compaction, carbonation and localised expansion can occur.

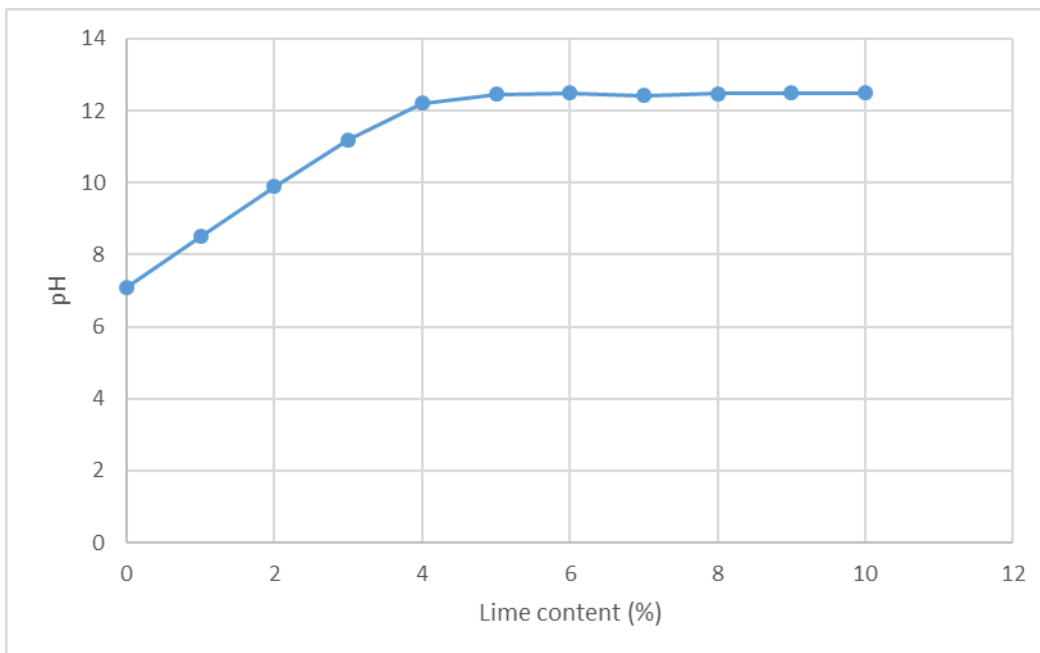
7.4.2 Water

Where other water is used, such as site water, dam water and so on, it shall comply with the requirements in Technical Specification MRTS07A *In situ Stabilised Subgrades using Quicklime or Hydrated Lime*, Clause 6.3 *Water*.

7.4.3 Lime demand

Measure the quantity of lime required to satisfy cation exchange and short-term reactions using the Lime Demand (LD) test. The lime demand is undertaken to obtain the minimum lime content and is not the target content for the design process. In Figure 7.4.3, the lime demand value as defined in Test Method Q133 is 4.0%.

Figure 5.4.3 – Lime demand curve



There should be a significant lime demand. Obtaining lime demands of 2.0–2.5% is possible with non-reactive materials (dry fine sand).

This test is a good starting point for determining the optimum lime content; however, it does not establish whether pozzolanic reactions will occur to produce long-term strength gains.

7.4.4 UCS

Use the UCS to assess the reactivity of the host soil and select a lime content, which will ensure long-term durability. Undertake UCS tests at a range of lime contents commencing with 0% lime. Suggested lime contents are:

0, LD-2, LD, LD+2, and LD+4

The target conditions for compaction of the UCS specimens will be 97% MDD and 100% OMC for subgrade materials. There is a significant influence by density of the strength of all compacted soil. A 1% reduction in relative compaction can reduce the UCS by 5%. Small density variations can easily mask the effects of other variables such as lime content and curing conditions.

Since compacted density has a direct influence on UCS, variation in compaction moisture must be limited. Suggested limits for achieved moisture content are:

Achieved moisture content = target moisture content \pm 0.3 percentile units

A standard curing regime comprising moist curing at $23 \pm 2^\circ\text{C}$ for 28 days has been adopted as detailed in Test Method Q135B.

The lime / soil mixture should be conditioned using long-term conditioning (amelioration); that is, where the lime / soil mixture is subjected to light compaction followed by overnight conditioning in an airtight container, followed by break-up, mixing and compaction.

All specimens are to be tested using the standard UCS Test Method Q115.

7.4.5 Analysis

In order to establish the reactivity of the soil, compare the UCS at 0% lime to that of the lime demand content and assess it against the following criteria.

Table 7.4.5 – Long term reactivity

Condition	Reactive / Non-reactive
UCS at LD – UCS at 0% Lime	≤ 0.35 MPa non-reactive soil
UCS at LD – UCS at 0% Lime	> 0.35 MPa reactive soil

Non-reactive soils are generally not suitable for lime stabilisation. For reactive soils, plot the UCS data versus lime content and determine the lime content corresponding to a UCS of 1.5 MPa which will be the target stabilising agent (lime) content.

Where there is a range of lime contents corresponding to a UCS of 1.5 MPa, undertake capillary rise testing at LD+2 and LD+4. Use the lime content with the slowest capillary rise as the target stabilising agent (lime) content.

7.4.6 Allowable working time

The allowable working time for lime-stabilised materials is 48 hours as detailed in Technical Specification MRTS07A *In situ Stabilised Subgrades using Quicklime or Hydrated Lime*, Clause 8.4 *Allowable working time* unless specified in the annexure to this Technical Specification.

7.5 Field testing – compliance

Undertake field control testing to ensure that particular design parameters, such as lime content, relative compaction and unconfined compressive strength are achieved using the test methods in Table 7.5.

Table 7.5 – Test methods used for compliance

Property	Test method	Title
Spread rate	Q719	Field spread rate of solid stabilising agents – fabric mat
Compacted density	Q141A	Compacted density of soils and crushed rock (nuclear gauge)
	Q141B	Compacted density of soils and crushed rock (sand replacement)
Reference density	Q142A	Dry density-moisture relationship (standard compaction)
Relative Compaction	Q140A	Relative compaction of soils and crushed rock
Relative moisture ratio	Q250	Relative moisture content of soils and crushed rock
Allowable working time	Q136A	Working time for stabilised materials

7.5.1 Lime content

For insitu stabilisation, a simple mat test is used to measure stabilising agent spread rate. Place one or more 1m² mats to catch the discharge from the spreader. This test is suitable for both powdered lime and lime slurries.

7.5.2 Compacted density and reference density

Use nuclear gauge technique for cement modified / stabilised materials provided a wet density and moisture content bias is determined as detailed in the *Nuclear Gauge Testing Manual*. Use of the sand replacement test for measuring insitu density is an alternative, but it is more destructive to the finished surface.

Measure the reference density using the traditional dry density-moisture relationship test. Complete the sampling and compaction of the reference density sample before the allowable working time for the material has elapsed.

The inherent variability of insitu stabilised materials usually means the employment of a testing regime of one-for-one testing. Such testing involves taking a sample from each insitu density location and determining a reference density.

7.5.3 Moisture content of stabilised material

Monitoring and adjustment of the moisture content of the stabilised materials is critical to the performance of the finished subgrade.

The moisture ratio of the stabilised material after the final wet incorporation of stabilising agent pass but before compaction should be in the range specified in Technical Specification MRTS07A *In situ Stabilised Subgrades using Quicklime or Hydrated Lime*, Clause 8.8 *Product standards*.

As a minimum frequency, the relative moisture ratio of stabilised materials is assessed at each test location for compaction tests.

7.6 Field testing - verification

Undertake testing to verify that particular design parameters, such as UCS are achieved using the test methods in Table 7.6.

Table 7.6 – Test methods used for verification

Property	Test method	Title
Field UCS	Q115	UCS of compacted materials
	Q251B	Preparation and compaction of field mix stabilised materials
	Q135B	Curing of moulded specimens of stabilised materials

7.6.1 Field UCS

The UCS test provides additional information on expected field performance relative to design. Mould the field mixed material at field moisture content using standard compaction effort. Cure the moulded specimens under standard conditions prior to testing.

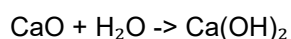
When sampling and making UCS specimens in the field, it is assumed the insitu moisture content will be close to the optimum moisture content of the material. If not, then the achieved dry density and dry density ratio will likely be well below the target. This will mean the UCS results for the samples will be lower than the target due to the moisture and density being lower than the targets; therefore, care is required in interpreting these results.

8 Storage of additives in the laboratory

8.1 Lime

8.1.1 Importance of proper storage

The term 'lime' is used to describe two different products, 'quicklime' (CaO) and the hydrated form 'Hydrate' (Ca(OH)₂). Quicklime is normally in a pebble or granular form while hydrate is a fine white powder. Each of these will react with products in the atmosphere and degenerate with age. With proper handling, the degeneration can be held to a minimum. It is important to keep all lime dry and in airtight containers. If lime is exposed to moisture or CO₂, the following reactions can occur.



8.1.2 Storage

It is best to obtain no more than a one to two month supply of lime at a time.

Upon receipt, the total supply should be transferred from bags into airtight 'stock' containers; Ergotainers are recommended. The date received should be marked on each container.

It is helpful to 'tap' the full containers on the ground to achieve some degree of lime settling. This compaction will help limit atmospheric exposure of the lime below the surface.

A smaller 'lab' container is needed to hold the lime used in day-to-day testing.

The lab container must also be airtight and should hold a one to two week supply. The use of a lab container avoids exposing the lime supply to the atmosphere and limits the number of times a stock container must be opened. The stock container only needs to be opened a couple of times a month rather than daily.

These care measures are important for both quicklime and hydrate. The presence of moisture catalyses carbonation, so it is especially important for hydrate, which inherently contains moisture.

Lime in the stock container should be discarded 12 weeks after it is received.

8.1.3 Use / sampling

Each time lime is transferred from the stock container to a lab container the top 10–20mm of lime in the stock container should be discarded. When lime is added to the lab container the date should be marked on the container.

Before each testing job, the top 10–20mm of lime should be discarded from the lab container.

Prior to transferring lime from the stock container to the lab container, all lime remaining in the lab container should be discarded.

No container should be left open when not being used. If the lab container is to be unused for more than 10 minutes, close it tight.

Lime in the lab container should be discarded if it has been in the lab container for more than 14 days.

If care is taken to follow these storage methods, and stock is rotated often, the lime quality should remain at acceptable levels.

8.2 Cement

8.2.1 Importance of proper storage

The term 'cement' is used to describe General Purpose Portland cement or GP cement. It can also mean other forms of cementitious blended materials, consisting of combinations of pozzolanic material and cement and/or lime. Cement will react with moisture in the air and hydrate; this will reduce the efficacy of the cement with age. With proper handling, the hydration can be held to a minimum. It is important to keep cement dry and in airtight containers.

8.2.2 Storage

It is best to obtain no more than a one to two-month supply of cement at a time.

Upon receipt, the total supply should be transferred from bags into airtight 'stock' containers; Ergotainers are recommended. The date received should be marked on each container.

It is helpful to 'tap' the full containers on the ground to achieve some degree of cement settling. This compaction will help limit atmospheric exposure of the cement below the surface.

A smaller 'lab' container is needed to hold the cement used in day-to-day testing.

The lab container must also be airtight and should hold a one to two-week supply. The use of a lab container avoids exposing the cement supply to the atmosphere and limits the number of times a

stock container must be opened. The stock container only needs to be opened a couple of times a month rather than daily.

Cement in the stock container should be discarded 12 weeks after it is received.

8.2.3 Use / sampling

Each time cement is transferred from the stock container to a lab container the top 10–20mm of cement in the stock container should be discarded. When cement is added to the lab container the date should be marked on the container.

Before each testing job, the top 10–20mm of cement should be discarded from the lab container.

Prior to transferring cement from the stock container to the lab container, all cement remaining in the lab container should be discarded.

No container should be left open when not being used. If the lab container is to be unused for more than 10 minutes, close it tight.

Cement in the lab container should be discarded if it has been in the lab container for more than 14 days.

If care is taken to follow these storage methods, and stock is rotated often, the cement quality should remain at acceptable levels.

Test Method Q020: Calculation of characteristic value of a lot

1 Source

This method is based on the process for calculation of characteristic value as detailed in Department of Transport and Main Roads Technical Specification MRTS01 *Introduction to Technical Specifications*.

2 Scope

This method provides a means for calculating a characteristic value determined by the analysis of several individual test results, tested using the same methods, using a statistical process. The characteristic value may then be used to determine the compliance of a product.

3 Procedure

The procedure shall be as follows:

- 3.1 Perform the requested tests, using the same test methods, as detailed in the specified test methods (Notes 6.1, 6.2 and 6.3).
- 3.2 Use the acceptance constant from Table 12(a) or Table 12(b) of *MRTS01 Introduction to Technical Specifications* unless otherwise specified.
- 3.3 Using the calculated values perform the calculations detailed in Section 4.

4 Calculations

Calculations shall be made as follows:

- 4.1 Calculate the mean of the individual test results as follows:

$$X_{av} = \frac{1}{n} \sum_{i=1}^n X_i$$

where X_{av} = mean of the individual test results for $i=1, 2, 3, \dots, n$
 n = number of test results
 X_i = the individual test result for $i=1, 2, 3, \dots, n$

- 4.2 Calculate the standard deviation of the individual test results as follows:

$$s = \sqrt{\frac{\sum_{i=1}^n (X_i - X_{av})^2}{(n - 1)}}$$

where s = standard deviation of the individual test results for $i=1, 2, 3, \dots, n$
 n = number of test results
 X_i = the individual test result for $i=1, 2, 3, \dots, n$
 X_{av} = mean of the individual test results

4.3 Calculate the characteristic value using the appropriate method as follows:

4.3.1 For a minimum limit:

$$CV = X_{av} - ks$$

where CV = characteristic value

X_{av} = mean of the individual test results

k = an acceptance constant dependent upon the number of tests

s = standard deviation of the individual test results

4.3.2 For a maximum limit:

$$CV = X_{av} + ks$$

where CV = characteristic value

X_{av} = mean of the individual test results

k = an acceptance constant dependent upon the number of tests

s = standard deviation of the individual test results

5 Reporting

The following shall be reported:

5.1 Report the following values rounded to a number of significant figures which exceeds by one that normally reported for the individual test results:

- a) mean of the individual test results, and
- b) standard deviation of the individual test results.

5.2 Report the characteristic value of the individual test results to the same rounding normally applied to individual test results (refer to MRTS01 Table 12(c)).

5.3 Report the following additional values:

- a) number of individual tests, and
- b) acceptance constant (k) used to the nearest 0.001.

5.4 Report the following additional information:

- a) source of the acceptance constant (k) used, for example MRTS01 Table 12(a)
- b) identification of the specification requiring the reporting of the characteristic value of the individual test results
- c) statement identifying use of unrounded data in calculation of characteristic value, and
- d) the number of this test method, that is Q020.

6 Notes on method

- 6.1 This method is usually applied to the results of Test Methods AS 1289.5.4.1, AS 1289.5.7.1, Q140A, Q146, Q311 and Q314.
- 6.2 For example, when determining the relative compaction or voids of asphalt, the method used to determine the compacted density may be one of AS 2891.9.2, AS 2891.9.3, Q306B, Q306C, Q306D or Q306E.
- 6.3 Where Test Method Q306B or AS 2891.9.2 is used initially to determine the relative compaction of asphalt but is subsequently found not to be applicable to one or more samples due to excessive water absorption, a combination of test results from Test Methods AS 2891.9.2, Q306B, and Q306C may be used.

Test Method Q050: Random selection of sampling or test locations

1 Source

This method applies the principles of AS 1289.1.4.1: *Selection of sampling or test sites – Random number method* and AS 1289.1.4.2: *Selection of sampling or test sites – Stratified random number method*. The principles within these methods have been modified and enhanced to provide procedures which better suit local methodology and practices.

2 Scope

This method describes the procedure for establishing sampling locations, sampling intervals or test locations within a lot, which has been defined in terms of mass, volume, area or batches, using random selection techniques. The method contains procedures which allow locations or intervals to be selected using either Random Sampling, Random Stratified Sampling or Systematic Random Stratified Sampling. These procedures ensure that samples or tests are taken at locations or intervals which are distributed within a lot in such a way that bias is removed from the selection process.

3 Application

- 3.1 Where the procedure for the selection of sampling and test locations is not specified in the appropriate specification, sampling plan or test method, the following shall apply:
- random stratified sampling procedures will be used for the selection of all sampling locations, sampling intervals or test locations, and
 - stockpiles, windrows or heaps are to be sampled using random stratified sampling described in Subsection 8.2: Selection of Location – Available Perimeter.
- 3.2 Where the process for re-sampling or re-testing a lot is not specified in the appropriate specification, the following shall apply:
- new sampling or testing locations will be determined for the entire lot, that is, no original sampling or testing locations will be used.

4 Apparatus

The following apparatus is required:

- Tape measure, wheel meter, and staff and level as required.
- Marking system, suitable marking equipment appropriate for the lot under consideration (for example, spray paint, flagging tap or pegs).

5 Lot size and sampling or testing frequencies

- Determine the size or extent of the lot, together with the number of samples or tests to be taken, using the specification, sampling plan or test methodology as appropriate.
- Where more than one representative sample is to be taken, divide the lot into the same number of approximately equal size sub-lots (Note 12.1). Mark the boundaries of each sub-lot using a suitable marking system.

6 Random numbers

- Obtain a listing of sequential random numbers using either:
 - Table 1 for the monthly date on which the work is undertaken (Note 12.2), or

b) using computer generated random numbers.

6.2 Each random number shall be used for the calculation of only one:

- a) longitudinal, lateral or vertical coordinate
- b) position on the perimeter of a lot or sub-lot, or
- c) sampling or testing interval.

7 Random sampling

The procedure for random sampling shall be as follows:

7.1 Selection of location – available area

7.1.1 Determine the extent of the area within the lot or sub-lot which is available for sampling or testing by referring to the specification, sampling plan or test methodology as appropriate (Note 12.3).

7.1.2 Select the random location within an available area as detailed in Test Method AS 1289.1.4.1 using the technique in Clause 3.2.

7.2 Selection of location – available perimeter

7.2.1 Measure the accessible perimeter of the lot or sub-lot (Notes 12.5 and 12.6).

7.2.2 Select the random location within an available perimeter as detailed in Test Method AS 1289.1.4.1 using the technique in Clause 3.2.

7.3 Selection of location – interval

Select the random location within an interval as detailed in Test Method AS 1289.1.4.1 using the technique in Clause 3.3.

8 Random stratified sampling

The procedure for random stratified sampling shall be as follows:

8.1 Selection of location – available area

8.1.1 Determine the extent of the area within the lot or sub-lot which is available for sampling or testing by referring to the specification, sampling plan or test methodology as appropriate (Note 12.3).

8.1.2 Select the random stratified location within an available area as detailed in Test Method AS 1289.1.4.2 using the technique in Clauses 3.2 to 3.4.

8.2 Selection of location – available perimeter

8.2.1 Measure the accessible perimeter of the lot or sub-lot (Notes 12.5 and 12.6).

8.2.2 Select the random stratified location within an available perimeter as detailed in Test Method AS 1289.1.4.2 using the technique in clauses 3.2 to 3.4.

8.3 Selection of location – interval

Select the random stratified location within an interval as detailed in Test Method AS 1289.1.4.2 using the technique in Clause 3.5.

9 Systematic random stratified sampling

The procedure for systematic random stratified sampling shall be as follows:

9.1 Selection of location – available area

- 9.1.1 Determine the extent of the area within the lot or sub-lot which is available for sampling or testing by referring to the specification, sampling plan or test methodology as appropriate (Note 12.2).
- 9.1.2 Measure the length of the available area and, for an area with a uniform cross section, its width. Where a lot or sub-lot is comprised of multiple layers or is a stockpile, measure the height.
- 9.1.3 Stratify the length of the available area as follows:

$$l = \frac{L}{n}$$

- where l = length of each stratum (m)
 L = length of the available area (m)
 n = number of samples, sample increments or tests

- 9.1.4 Determine the longitudinal coordinate for each sample, sample increment or test location as follows:

$$x_i = l(i-1+r)$$

- where x_i = longitudinal coordinate for the i^{th} sample, sample increment or test number measured from one end of the available area (m)
 l = length of each stratum (m)
 i = particular sample, sample increment or test number
 r = random number

- 9.1.5 Determine the lateral coordinate for each sample, sample increment or test location as follows (Note 12.4):

$$y_i = r_w W_i$$

- where y_i = lateral coordinate for the i^{th} sample, sample increment or test number measured from one side of the available area (m)
 r_w = random number specific to the lateral coordinate for the i^{th} sample, sample increment or test number
 W_i = width of the available area at the actual longitudinal coordinate for the i^{th} sample, sample increment or test location number (m)

9.1.6 For lots or sub-lots containing multiple layers or for a stockpile, determine the vertical coordinate for each sample, sample increment or test location as follows:

$$z_i = r_h (H - D) + D$$

where z_i = vertical coordinate for the i^{th} sample, sample increment or test number measured from the bottom of the lot or sub-lot (m)
 r_h = random number specific to the vertical coordinate for the i^{th} sample, sample increment or test number
 H = height of the lot or sub-lot (m)
 D = depth to which sampling or testing is to be undertaken (m)

9.2 Selection of location – available perimeter

9.2.1 Measure the accessible perimeter of the lot or sub-lot (Notes 12.5 and 12.6).

9.2.2 Stratify the accessible perimeter as follows:

$$l = \frac{L}{n}$$

where l = length of each stratum (m)
 L = length of the accessible perimeter (m)
 n = number of samples, sample increments or tests

9.2.3 Determine the sample or test location as follows:

$$p_i = l(i - 1 + r)$$

where p_i = position on the perimeter for the i^{th} sample, sample increment or test number measured from the starting point (m)
 l = length of stratum (m)
 i = particular sample, sample increment or test number
 r = random number

9.3 Selection of location – interval

9.3.1 Stratify the volume, mass or batches in the lot or sub-lot as follows (Note 12.7):

$$q = \frac{Q}{n}$$

where q = quantity of material in each stratum (m³, t or batch)
 Q = quantity of material in the lot or sub-lot (m³, t or batch)
 n = number of samples, sample increments or tests

9.3.2 Determine the sampling or testing interval as follows:

$$t_i = q(i-1+r)$$

where	t_i	=	quantity of material produced, processed, batched or loaded before taking the i^{th} sample, sample increment or test number (m^3 , t or batch)
	q	=	quantity of material in each stratum (m^3 , t or batch)
	i	=	particular sample, sample increment or test number
	r	=	random number

10 Records

The following shall be recorded:

- 10.1 Date of sampling/testing.
- 10.2 Random numbers used.
- 10.3 Longitudinal, lateral and, if required, vertical coordinates of each sampling/test site.
- 10.4 Position on the perimeter of each sampling/test location.
- 10.5 Quantity of material produced, processed, batched or loaded at which a sample/test is taken.
- 10.6 Lot identification, sub-lots, field sample numbers, increment numbers.
- 10.7 Name of sampler.
- 10.8 Specific sampling procedure used with reference to the relevant sub-section of this method.
- 10.9 For selection of locations by available area or perimeters, a dimensioned plan of the lot/sub-lots showing sample increment locations together with points of reference and, where appropriate, sub-increment locations.
- 10.10 Any other relevant information.

11 Reporting

The following shall be reported:

- 11.1 Date of sampling/testing.
- 11.2 Longitudinal, lateral and, if required, vertical location of each sampling/test site.
- 11.3 Quantity of material produced, processed, batched or loaded at which a sample/test is taken.
- 11.4 Lot identification.
- 11.5 Specific sampling procedure used with reference to the relevant sub-section of this method.
- 11.6 The number of this test method, that is Q050.

12 Notes on method

- 12.1 The sample increments for each representative sample are taken randomly throughout a particular sub-lot in the same way that spot samples and tests are taken throughout a lot.
- 12.2 When using Table 1, where more than 30 random numbers are required in a day, obtain additional numbers from the listing for the previous day.

- 12.3 For compaction lots when exclusions have not been specified, exclude any parts of the lot or sub-lot which are within 200 mm of any top edge or construction joint.
- 12.4 For a lot or sub-lot with a non-uniform cross-section, measure the width at each determined longitudinal coordinate.
- 12.5 It is not always possible to obtain free access to all sides of some lots or sub-lots (for example, a stockpile lot). In such cases, determine the combined accessible length.
- 12.6 For windrows, it is only necessary to measure the length of each lot or sub-lot.
- 12.7 When determining a sampling or testing interval for batches:
- any determination that identifies a batch already selected can be ignored and the next random number used
 - the result should be rounded up to the next whole integer.

Table 1 – Table of random numbers

Date of month									
1	2	3	4	5	6	7	8	9	10
0.272	0.519	0.098	0.459	1.000	0.554	0.250	0.246	0.736	0.432
0.994	0.978	0.693	0.593	0.690	0.028	0.831	0.319	0.073	0.268
0.039	0.449	0.737	0.501	0.960	0.254	0.239	0.474	0.031	0.720
0.144	0.695	0.339	0.621	0.128	0.032	0.413	0.617	0.764	0.257
0.312	0.138	0.670	0.894	0.682	0.061	0.832	0.765	0.226	0.745
0.871	0.838	0.595	0.576	0.096	0.581	0.245	0.786	0.412	0.867
0.783	0.874	0.795	0.430	0.265	0.059	0.260	0.563	0.632	0.394
0.358	0.424	0.684	0.074	0.109	0.345	0.618	0.176	0.352	0.748
0.494	0.839	0.337	0.325	0.699	0.083	0.043	0.809	0.981	0.499
0.642	0.514	0.297	0.869	0.744	0.824	0.524	0.656	0.608	0.408
0.485	0.240	0.292	0.335	0.088	0.589	0.127	0.396	0.401	0.407
0.728	0.819	0.557	0.050	0.152	0.816	0.404	0.079	0.703	0.493
0.029	0.262	0.558	0.159	0.767	0.175	0.979	0.521	0.781	0.843
0.918	0.348	0.311	0.232	0.797	0.921	0.995	0.225	0.397	0.356
0.641	0.013	0.780	0.478	0.529	0.520	0.093	0.426	0.323	0.504
0.208	0.468	0.045	0.798	0.065	0.315	0.318	0.742	0.597	0.080
0.346	0.429	0.537	0.469	0.697	0.124	0.541	0.525	0.281	0.962
0.900	0.206	0.539	0.038	0.480	0.293	0.448	0.010	0.836	0.233
0.228	0.369	0.513	0.762	0.952	0.856	0.574	0.158	0.689	0.579
0.746	0.170	0.974	0.306	0.145	0.139	0.417	0.195	0.338	0.901
0.363	0.103	0.931	0.389	0.199	0.488	0.915	0.067	0.878	0.640
0.663	0.942	0.278	0.785	0.638	0.002	0.989	0.462	0.927	0.186
0.545	0.185	0.054	0.196	0.717	0.247	0.913	0.975	0.555	0.559
0.360	0.349	0.569	0.910	0.420	0.492	0.947	0.115	0.884	0.452

Date of month									
1	2	3	4	5	6	7	8	9	10
0.789	0.815	0.464	0.484	0.020	0.007	0.547	0.941	0.365	0.261
0.279	0.609	0.086	0.852	0.890	0.108	0.076	0.089	0.662	0.607
0.680	0.235	0.706	0.827	0.572	0.769	0.310	0.036	0.329	0.477
0.078	0.444	0.178	0.651	0.423	0.672	0.517	0.560	0.657	0.972
0.676	0.830	0.531	0.888	0.305	0.421	0.307	0.502	0.112	0.808
0.861	0.899	0.643	0.771	0.037	0.241	0.582	0.578	0.634	0.077

Table 1 (cont.) – Table of random numbers

Date of month									
11	12	13	14	15	16	17	18	19	20
0.111	0.364	0.970	0.669	0.548	0.687	0.639	0.510	0.105	0.549
0.289	0.857	0.948	0.980	0.132	0.094	0.298	0.870	0.309	0.441
0.961	0.893	0.392	0.377	0.864	0.472	0.009	0.946	0.765	0.287
0.637	0.986	0.753	0.566	0.213	0.807	0.017	0.460	0.515	0.630
0.834	0.121	0.255	0.453	0.376	0.583	0.422	0.371	0.399	0.366
0.264	0.490	0.402	0.151	0.044	0.436	0.747	0.694	0.136	0.585
0.038	0.814	0.594	0.911	0.324	0.322	0.895	0.411	0.160	0.367
0.351	0.283	0.027	0.220	0.685	0.527	0.943	0.556	0.853	0.612
0.143	0.384	0.645	0.479	0.489	0.052	0.187	0.990	0.912	0.750
0.512	0.056	0.018	0.122	0.303	0.803	0.583	0.729	0.205	0.925
0.296	0.705	0.156	0.616	0.534	0.168	0.564	0.866	0.739	0.850
0.451	0.536	0.768	0.518	0.481	0.880	0.835	0.734	0.427	0.847
0.837	0.405	0.591	0.370	0.104	0.848	0.004	0.414	0.354	0.707
0.724	0.153	0.841	0.829	0.470	0.391	0.388	0.163	0.817	0.790
0.665	0.825	0.671	0.623	0.770	0.400	0.068	0.440	0.019	0.944
0.573	0.716	0.266	0.456	0.434	0.467	0.603	0.169	0.721	0.779
0.332	0.702	0.300	0.570	0.945	0.968	0.646	0.097	0.118	0.242
0.755	0.951	0.937	0.550	0.879	0.162	0.791	0.810	0.625	0.674
0.439	0.491	0.855	0.446	0.773	0.542	0.416	0.350	0.957	0.419
0.700	0.877	0.442	0.286	0.526	0.071	0.154	0.988	0.333	0.626
0.523	0.613	0.752	0.733	0.528	0.072	0.820	0.929	0.777	0.461
0.905	0.182	0.567	0.249	0.227	0.229	0.604	0.304	0.217	0.142
0.373	0.120	0.602	0.793	0.692	0.863	0.954	0.873	0.107	0.675
0.057	0.953	0.041	0.090	0.223	0.508	0.806	0.438	0.203	0.586
0.967	0.040	0.708	0.271	0.189	0.342	0.740	0.801	0.985	0.263
0.917	0.715	0.758	0.005	0.666	0.599	0.934	0.100	0.987	0.085

Date of month									
11	12	13	14	15	16	17	18	19	20
0.131	0.646	0.659	0.047	0.051	0.562	0.435	0.731	0.362	0.317
0.326	0.605	0.443	0.601	0.386	0.560	0.378	0.172	0.445	0.636
0.299	0.106	0.237	0.733	0.796	0.476	0.099	0.804	0.735	0.950
0.101	0.055	0.776	0.686	0.171	0.533	0.936	0.095	0.982	0.211

Table 1 (cont.) – Table of random numbers

Date of month										
21	22	23	24	25	26	27	28	29	30	31
0.267	0.598	0.754	0.658	0.274	0.215	0.177	0.218	0.330	0.628	0.283
0.471	0.102	0.454	0.538	0.963	0.357	0.882	0.507	0.157	0.580	0.340
0.535	0.881	0.014	0.966	0.958	0.190	0.180	0.759	0.433	0.355	0.194
0.277	0.458	0.295	0.196	0.772	0.148	0.466	0.291	0.688	0.046	0.166
0.719	0.167	0.181	0.653	0.328	0.070	0.015	0.155	0.631	0.063	0.712
0.385	0.858	0.713	0.883	0.916	0.084	0.561	0.999	0.379	0.668	0.622
0.862	0.928	0.822	0.812	0.977	0.395	0.788	0.920	0.673	0.698	0.313
0.486	0.938	0.757	0.749	0.991	0.219	0.264	0.932	0.898	0.006	0.137
0.091	0.872	0.959	0.922	0.727	0.811	0.075	0.374	0.133	0.730	0.243
0.146	0.482	0.930	0.611	0.179	0.011	0.248	0.886	0.344	0.926	0.361
0.709	0.184	0.390	0.409	0.191	0.117	0.860	0.135	0.406	0.134	0.821
0.996	0.896	0.760	0.347	0.053	0.372	0.193	0.756	0.565	0.914	0.654
0.971	0.859	0.147	0.114	0.418	0.889	0.792	0.064	0.652	0.288	0.290
0.202	0.538	0.026	0.949	0.696	0.008	0.846	0.259	0.415	0.425	0.450
0.212	0.321	0.778	0.940	0.496	0.231	0.664	0.903	0.473	0.909	0.314
0.207	0.799	0.487	0.022	0.813	0.891	0.500	0.368	0.725	0.437	0.800
0.818	0.503	0.906	0.224	0.904	0.892	0.455	0.343	0.924	0.197	0.294
0.701	0.984	0.174	0.141	0.704	0.908	0.048	0.828	0.997	0.058	0.087
0.035	0.380	0.001	0.381	0.251	0.497	0.214	0.794	0.552	0.588	0.679
0.221	0.200	0.587	0.353	0.584	0.270	0.885	0.110	0.956	0.711	0.339
0.647	0.403	0.530	0.738	0.280	0.457	0.650	0.276	0.661	0.973	0.600
0.667	0.722	0.327	0.723	0.410	0.635	0.012	0.907	0.316	0.677	0.173
0.644	0.590	0.021	0.269	0.042	0.062	0.387	0.183	0.964	0.544	0.592
0.302	0.123	0.116	0.282	0.851	0.256	0.648	0.845	0.782	0.993	0.210
0.633	0.933	0.331	0.546	0.842	0.016	0.236	0.164	0.923	0.976	0.033
0.060	0.681	0.683	0.775	0.624	0.955	0.126	0.655	0.919	0.113	0.710
0.165	0.532	0.431	0.341	0.092	0.244	0.222	0.336	0.034	0.216	0.897
0.875	0.691	0.383	0.382	0.596	0.301	0.275	0.188	0.868	0.805	0.003

Date of month										
21	22	23	24	25	26	27	28	29	30	31
0.726	0.902	0.252	0.130	0.238	0.398	0.763	0.463	0.615	0.140	0.844
0.273	0.393	0.285	0.161	0.619	0.865	0.551	0.030	0.571	0.258	0.230

Test Method Q060: Representative sampling of soils, crushed rock and aggregates

1 Source

This method applies the principles of AS 1141.3.1: *Sampling – Aggregates* while including additional techniques for the sampling of materials both in motion during production and when stationary.

2 Scope

This method describes the procedures for obtaining representative samples of soils, crushed rock and aggregates having a nominal size up to 63 mm. The method is applicable to produced materials in motion on a conveyor belt or at the point of discharge, as well as stationary materials contained within a stockpile, truck, bin, heap or windrow. The method may not be applicable to circumstances where spot sampling techniques are more appropriate (for example where determining stockpile segregation).

3 Application

Generally, it is preferable to sample produced materials when in motion prior to or during discharge. However, this may not be safe or practical for all such circumstances and this approach is not applicable for sampling non-processed materials or stationary produced materials. Adequate samples can be obtained from stationary materials provided due care is exercised.

Consider each procedure for sampling moving or stationary material as contained within this method to be of equal technical validity. Where a number of sampling options is available for a particular situation, there is no hierarchy of preference and each procedure will provide an adequate representative sample.

Consider the following limitations when selecting a sampling procedure:

- a sampling tube can only be used for sampling free flowing fine grained material, and
- the use of hand tools to sample aggregates from a stockpile, heap or windrow is limited to those aggregates having a nominal size of up to and including 28 mm.

4 Apparatus

The following apparatus is required:

- 4.1 Sample containers, woven sample bags or other suitable sealable containers that will prevent fines loss. Airtight containers are required for moisture content samples. Containers are to be of a size or so configured that their maximum capacity is approximately 20 kg.
- 4.2 Flat bottomed scoop or trowel and brush.
- 4.3 Loader, having a bucket with a capacity of at least 1 m³, capable of obtaining a slice of material from the total height of the side of the stockpile under consideration in a single movement (Note 13.1).
- 4.4 Excavator, having a bucket with a capacity of at least 1 m³, capable of reaching to the total height of the stockpile.
- 4.5 Shovels:
 - 4.5.1 Standard shovel, a standard square mouth shovel with raised sides having a blade of approximate dimensions 300 mm length and 200 mm width.

- 4.5.2 Posthole shovel, a square mouth posthole shovel having a blade of approximate dimensions 300 mm length and 200 mm width.
- 4.5.3 Farmer's shovel, with a minimised square mouth having a blade of approximate dimensions 300 mm length, 240 mm width and mouth width of 130 mm for coarse materials such as railway ballast.
- 4.6 Sampling tube, consisting of a 75 mm to 100 mm diameter thin walled tube with an opening or a series of openings in a straight line parallel to the longitudinal axis.
- 4.7 Digging tools such as a pick or crowbar.
- 4.8 Tape measure, wheel meter and staff and level as required.
- 4.9 Sample divider, complying with the requirements of AS 1141.2.

5 Definitions

For the purpose of this method the following definitions shall apply:

- 5.1 Sample Increment – The amount of material taken to form part of a sample. The number of sample increments required to form a sample shall be at least five.
- 5.2 Sampling Interval – The mass or volume of material to be produced, processed or loaded before a sample increment or a number of sub-increments is obtained.
- 5.3 Sampling Point – The position within a body of material, where a sub-increment is obtained for combination with other sub-increments to form a sample increment. The term "sampling point" is only used when material is taken from more than one position for a particular sampling location or sampling interval.

6 Sampling procedure and locations

The procedure for selecting a sampling procedure and locations shall be as follows:

- 6.1 Taking into account the type of material to be sampled and the type and scope of testing, select a sampling procedure which is appropriate for existing conditions and available resources.
- 6.2 Determine the number of samples to be taken within the lot in accordance with the requirements of the specification, sampling plan or testing methodology as appropriate.
- 6.3 Where more than one sample is required, divide the lot into the same number of approximately equal sub-lots.
- 6.4 Determine the minimum mass of material for each sample increment or sub-increment from Table 1 (Note 13.2).
- 6.5 Use random stratified sampling to determine sampling locations, or sampling intervals during production, for each sample as detailed in Test Method Q050.

7 Sampling during discharge

The procedure for sampling during discharge shall be as follows:

7.1 Moving stream – mechanical cutter

Perform sampling from a moving stream using a mechanical cutter as detailed in Test Method AS 1141.3.1 using the technique in Clause 7.

7.2 Stopped conveyor belt

Perform sampling from a stopped conveyor belt as detailed in Test Method AS 1141.3.1 using the technique in Clause 8.1.

7.3 Moving stream - loader bucket

- 7.3.1 At the predetermined sampling interval, have an authorised operator position a loader bucket of at least 1 m³ to capture the discharge of the plant.
- 7.3.2 Have the loader parked in a safe location away from other traffic with the bucket resting on the ground.
- 7.3.3 Locate the highest point of the material and flatten the load by removing material to a depth of at least 200 mm in order to form a level surface approximately 500 mm wide and 750 mm long.
- 7.3.4 Obtain the required number of sample increments at uniformly distributed positions across the surface of the layer. At each position undertake the following:
 - a) Insert the blade of the standard shovel vertically into the layer for the full depth of the blade, then place the excavated material in the sample container (Note 13.3). If more material is required, widen the hole helically by obtaining adjacent shovels-full of material using the excavation technique described in this step.
 - b) Label or otherwise identify the sample container with the field sample number and the increment number. The increment number has to include the number of sample increments required for the sample. For example, 1/4 identifies the first sample increment in four increments.

7.4 Moving stream - truck

- 7.4.1 At the predetermined sampling interval, have an authorised operator discharge at least 1 m³ of material into a truck. Have the selected truck parked in a safe location away from other traffic.
- 7.4.2 Gain access to the tray of the truck using a ladder or platform. Locate the longitudinal axis of the load or, if the truck is loaded off-centre, the axis which passes through the highest points.
- 7.4.3 Locate the centre of the longitudinal axis. At this location, flatten the load by removing material to a depth of at least 200 mm in order to form a level surface approximately 500 mm wide and 750 mm long.
- 7.4.4 Obtain the required number of sample increments at uniformly distributed positions across the surface of the layer. At each position undertake the following:
 - a) Insert the blade of the standard shovel vertically into the layer for the full depth of the blade, then place the excavated material in the sample container (Note 13.3). If more material is required, widen the hole helically by obtaining adjacent shovels-full of material using the excavation technique described in this step.
 - b) Label or otherwise identify the sample container with the field sample number and the increment number. The increment number has to include the number of sample increments required for the sample. For example, 1/4 identifies the first sample increment in four increments.

8 Sampling from formed stockpiles

The procedure for sampling from formed stockpiles shall be as follows:

8.1 Single layer formed stockpile – loader remove and mix

Perform sampling from a single layer formed stockpile by loader remove and mix technique as detailed in Test Method AS 1141.3.1 using the technique in Clause 9.4.

8.2 Single layer formed stockpile – loader back blading

Perform sampling from a single layer formed stockpile using back blading as detailed in Test Method AS 1141.3.1 using the technique in Clause 9.3.

8.3 Single layer formed stockpile – hand tools

Perform sampling from a single layer formed stockpile using hand tools as detailed in Test Method AS 1141.3.1 using one of the techniques in Clause 8.4.

8.4 Multiple layer formed stockpile – excavator remove and mix

8.4.1 At a predetermined sampling location, expose a fresh face for the total height of the side of the stockpile and at least to twice the width of the excavator bucket by dragging material down with the excavator bucket. Dump the removed material on the stockpile at a location that will not interfere with the sampling process.

8.4.2 Remove sufficient material from the total height of the fresh face using the technique described in Step 8.4.1 to form a level mixing pad adjacent to the stockpile. The pad is to be of sufficient area to accommodate material from the nominated sampling location and allow uniform mixing.

8.4.3 Obtain material for depositing on the mixing pad by removing a uniform slice, at least one excavator bucket wide, for the total height of the exposed face using the technique described in Step 8.4.1. Deposit the material in the centre of the prepared mixing pad, ensuring that the bucket discharge height is as low as possible.

8.4.4 Repeat Step 8.4.3 until sufficient material to allow uniform mixing is available on the mixing pad.

8.4.5 Thoroughly mix the deposited material using a loader, working from various points around the pad, ensuring that the material deposited on the pad is uniformly mixed. While it is acceptable that some pad material may be included in the mixing process, terminate the sampling exercise if the mixture becomes contaminated with foreign material from the stockpile floor. Level the mixed material to form a layer approximately 500 mm thick above the mixing pad.

8.4.6 Obtain the required number of sample increments at uniformly distributed positions across the surface of the layer and not less than 200 mm from the edge. If the surface of the levelled material is rippled due to the loader bucket, remove sufficient material to expose a fresh and level surface at each sampling position. At each position undertake the following:

- a) Insert the blade of the standard shovel vertically into the layer for the full depth of the blade, then place the excavated material in the sample container (Note 13.3). If more material is required, widen the hole helically by obtaining adjacent shovels-full of material using the excavation technique described in this step.
- b) Label or otherwise identify the sample container with the field sample number and the increment number. The increment number has to include the number of sample increments required for the sample. For example, 1/4 identifies the first sample increment in four increments.

8.5 Multiple layer formed stockpile – loader remove and mix

Perform sampling from a multiple layer formed stockpile using loader remove and mix as detailed in Test Method AS 1141.3.1 using the technique in Clause 9.4.

9 Sampling from heaps or windrows

The procedure for sampling from heaps or windrows shall be as follows:

9.1 Heap - hand tools

Perform sampling from heaps using hand tools as detailed in Test Method AS 1141.3.1 using the technique in Clause 10.2.

9.2 Heap - sampling tube

9.2.1 At a predetermined sampling location, mark a sampling point on the side of the heap, measured from the base. The point should not be within 200 mm of the base of the heap or 200 mm of the top of the heap (Note 13.4).

9.2.2 At the sampling point, obtain an increment to form a sample as follows:

- a) Insert the tube horizontally into the side of the heap with the slot facing downwards. Rotate the tube through 180°, then withdraw the tube. Place the material from the tube into the sample container (Note 13.5).
- b) Label or otherwise identify the sample container with the field sample number and increment number. The increment number has to include the number of sample increments required for the sample. For example, 1/4 identifies the first sample increment in four increments.

9.2.3 Repeat Step 9.2.2 until the required number of sample increments, having similar quantities of material, is obtained for each sample.

9.3 Windrow - hand tools

Perform sampling from heaps or windrows using hand tools as detailed in Test Method AS 1141.3.1 using the technique in Clause 10.2.

10 Sampling from bins and trucks

The procedure for sampling from bins and trucks shall be as follows:

10.1 Bins

Perform sampling from bins as detailed in Test Method AS 1141.3.1 using the technique in Clause 8.2.

10.2 Trucks

Perform sampling from trucks as detailed in Test Method AS 1141.3.1 using one of the techniques in Clause 8.3.

11 Records

The following information shall be recorded on each sample container or on a tag affixed to the container using a durable permanent marker (Note 13.6).

11.1 Date of sampling.

11.2 Material type.

- 11.3 Source of material.
- 11.4 Nominal size (mm).
- 11.5 Sampling location including GPS reference if required.
- 11.6 Amount of material represented.
- 11.7 Lot identification, sub-lots, field sample numbers, increment numbers.
- 11.8 Name of sampler.
- 11.9 Specific sampling procedure used with reference to the relevant sub-section of this method.
- 11.10 For material in a stockpile, heap or windrow, a dimensioned plan of the lot showing sample increment locations together with points of reference and, where appropriate, sub-increment locations.
- 11.11 Any other relevant information.

12 Reporting

The following shall be reported:

- 12.1 Date of sampling.
- 12.2 Material type.
- 12.3 Source of material.
- 12.4 Sampling location.
- 12.5 Lot identification.
- 12.6 Specific sampling procedure used with reference to the relevant sub-section of this method.
- 12.7 The number of this test method, that is Q060.

13 Notes on method

- 13.1 Since the loader is capable of stockpiling to a height approximately 300 mm more than its reach, it is acceptable to use the same loader for sampling as was used for stockpile formation.
- 13.2 The number of increments, masses of sample increments and masses of samples are the minimum requirements to obtain a representative sample. For particular testing programmes, more increments and/or larger increment masses may be needed in order to obtain sufficient representative material.
- 13.3 When sampling coarse materials such as rail ballast, the farmer's shovel should be used. To facilitate removal of aggregate, place the shovel mouth on the surface of the material to be sampled. Stabilise the shovel by placing two hands on the upper half of the shovel handle and one foot on the broad footing area on the top of the shovel head. Step up on the footing area of the shovel head and, by placing the second foot together with the operator's jolting body weight, drive the shovel home.
- 13.4 When sampling for moisture content, it is necessary to consider the likely moisture gradient within the heap. Select additional sampling points in order to achieve a distribution which is consistent with the cross-section of the heap.
- 13.5 For a moisture content sample, take all necessary precautions to prevent moisture loss both during and following sampling.

13.6 Sampling information may be recorded on a sampling log or worksheet provided there is a clear and unambiguous link from the record to each container.

Table 1 – Sample increment masses

Nominal size (mm)	75	40	28	20	14	10	7	5	<5
Minimum mass (kg)	10	6	5	4	3	2	2	1	1

Table 2 – Sample masses

Nominal size (mm)	75	40	28	20	14	10	7	5	<5
Minimum mass (kg)	50	30	25	20	15	10	10	5	5

Test Method Q061: Spot sampling of soils, crushed rock and aggregates

1 Source

This method was developed in-house using techniques evolved through internal departmental investigations.

2 Scope

This method specifies the procedures for obtaining spot samples of soils, crushed rock and aggregates of nominal size up to 63 mm from pavements, earthworks or the discharge of plant such as pug mills.

This method does not cover sampling soils for environmental purposes or representative sampling of lots or sub-lots. Representative sampling is covered by Test Method Q060.

3 Apparatus

Following is a comprehensive listing of apparatus required for this method. While some items are common to all procedures, others are specific to particular procedures.

- 3.1 Sample containers which prevent fines loss. Airtight containers are required for moisture content samples. Containers are to be of a size or so configured that their maximum capacity does not exceed approximately 20 kg.
- 3.2 Flat bottomed scoop or trowel, broom and brush.
- 3.3 Shovels:
 - 3.3.1 Standard shovel, a standard square mouth shovel with raised sides having a blade of approximate dimensions, 300 mm length and 200 mm width.
 - 3.3.2 Post hole shovel, a square mouth post hole shovel having a blade of approximate dimensions, 300 mm length and 200 mm width.
- 3.4 Hand digging tools such as a pick, crowbar or light electric hammer with variable speed control.
- 3.5 Plant (Note 9.1):
 - a) bobcat with a profiling / milling head
 - b) excavator with a profiling / milling head
 - c) profiler, or
 - d) insitu stabiliser.
- 3.6 Tape measure, wheel meter, and survey levelling equipment as required.
- 3.7 Sample divider, complying with the requirements of AS 1141.2.
- 3.8 Marking system, suitable marking equipment appropriate for the lot under consideration (for example, spray paint, flagging tape or pegs).

4 Sampling location

The procedure for determining the number of samples and locations shall be as follows:

- 4.1 Determine the number of samples to be taken within the lot in accordance with the requirements of the specification, sampling plan or testing methodology as appropriate.

- 4.2 If not documented in the specification, sampling plan or testing methodology, use random stratified sampling as detailed in Test Method Q050 to determine sampling location for each sample.

5 Compacted layer of earthworks or pavement

The procedure for sampling from compacted layer of earthworks or pavement shall be as follows:

5.1 General sampling – hand tools

- 5.1.1 Determine the quantity of material required for the testing programme, ensuring compliance with the minimum sample mass requirements in Table 1.
- 5.1.2 At the predetermined sampling location, remove any foreign material, making a note of its presence in the sampling record.
- 5.1.3 If not sufficiently loose, the layer shall be carefully loosened using suitable tools. Care should be taken not to unnecessarily break down any discrete rock particles.
- 5.1.4 Excavate a hole with approximately vertical sides and a flat bottom to the full depth of the layer being sampled. Ensure all loose material is recovered and that all material removed is retained as the sample.
- 5.1.5 For a moisture content sample, take all necessary precautions to prevent moisture loss, both during and following sampling. Ensure the sample container is sealed at the completion of sampling.
- 5.1.6 Label or otherwise identify the sample container with the field sample number. Sampling information may be recorded on a sampling log or worksheet provided there is a clear and unambiguous link from the record to each container.

5.2 Reference density sample – sand replacement

- 5.2.1 Determine the quantity of material required, ensuring compliance with the minimum sample mass requirements in Table 1.
- 5.2.2 Ensure the location for the sample and the surrounding surface is cleaned of loose density sand and any other foreign material.
- 5.2.3 Enlarge the test hole to obtain sufficient compacted material to determine the laboratory reference density. Ensure the enlarged hole is to the same depth as the sand replacement test hole, the sides are approximately vertical and the bottom of the hole is flat.
- 5.2.4 If not sufficiently loose, the layer shall be carefully loosened using suitable tools. Care should be taken not to unnecessarily break down any discrete rock particles.
- 5.2.5 Ensure all loose material is recovered and that all material removed is retained as the sample.
- 5.2.6 Label or otherwise identify the sample container with the field sample number. Sampling information may be recorded on a sampling log or worksheet provided there is a clear and unambiguous link from the record to each container.

5.3 Reference density sample and/or moisture content sample – nuclear gauge

- 5.3.1 Determine the quantity of material required, ensuring compliance with the minimum sample mass requirements in Table 1.
- 5.3.2 Ensure the location for the sample and the surrounding surface is cleaned of loose sand and any other foreign material.

- 5.3.3 Locate the sampling position for the sample as shown in Figure 1.
- 5.3.4 Excavate a hole to one of the following depths:
 - a) The full depth of the layer where the sampled material is from a pavement or earthworks, or
 - b) The depth used in the nuclear gauge measurement of wet density where the sampled material is from earthworks and no layer depth is applicable.
- 5.3.5 Excavate a hole to obtain sufficient compacted material to determine the laboratory reference density and/or moisture content. Ensure the excavated hole has approximately vertical sides and a flat bottom.
- 5.3.6 If not sufficiently loose, the layer shall be carefully loosened using suitable tools. Care should be taken not to unnecessarily break down any discrete rock particles.
- 5.3.7 Ensure all loose material is recovered and that all material removed is retained as the sample.
- 5.3.8 For a moisture content sample, take all necessary precautions to prevent moisture loss, both during and following sampling. Ensure the sample container is sealed at the completion of sampling.
- 5.3.9 Label or otherwise identify the sample container with the field sample number. Sampling information may be recorded on a sampling log or worksheet provided there is a clear and unambiguous link from the record to each container.

5.4 Sampling for stabilisation testing – plant excavation

Plant such as a bobcat or excavator with a milling/profiling head may be used to expose and pre-treat earthworks or pavement intended for insitu stabilisation so that sampling may be performed.

- 5.4.1 Determine the quantity of material required for the testing programme, ensuring compliance with the minimum sample mass requirements in Table 1. Also determine if any material is to be excluded from the sample such as sprayed surfacing, asphalt or stabilised patches.
- 5.4.2 Ensure the location for the sample and the surrounding surface is cleaned of loose material.
- 5.4.3 If the seal is not to be incorporated into the insitu stabilisation use the plant to remove the seal before sampling.
- 5.4.4 Using the plant mill in lateral strips to the depth required by the stabilisation process.
- 5.4.5 Using a broom or shovel push any material outside the excavated strip back into the excavation.
- 5.4.6 Repeat Steps 5.4.4 to 5.4.5 two more times to simulate three passes of an insitu stabiliser.
- 5.4.7 Recover the material from the strip to the full depth of the layer being sampled. Ensure all loose material is recovered and that all material removed is retained as the sample.
- 5.4.8 Label or otherwise identify the sample container(s) with the field sample number. Sampling information may be recorded on a sampling log or worksheet provided there is a clear and unambiguous link from the record to each container.

6 Uncompacted layer of earthworks or pavement

The procedure for sampling from uncompacted layer of earthworks or pavement shall be as follows:

- 6.1.1 Determine the quantity of material required for the testing programme, ensuring compliance with the minimum sample mass requirements in Table 1.
- 6.1.2 At the predetermined sampling location, remove any foreign material making a note of its presence in the sampling record.
- 6.1.3 If required, level the surface using a shovel.
- 6.1.4 If not sufficiently loose, the layer shall be loosened using suitable tools. Care should be taken not to unnecessarily break down discrete rock particles.
- 6.1.5 Excavate a hole with approximately vertical sides and a flat bottom to the full depth of the layer being sampled. Ensure all loose material is recovered and that all material removed is retained as the sample.
- 6.1.6 For a moisture content sample, take all necessary precautions to prevent moisture loss, both during and following sampling. Ensure the sample container is sealed at the completion of sampling.
- 6.1.7 For stabilised materials, mark or otherwise identify the location so additional testing may be performed at the location after compaction is complete. Use of offset pegs and recording the distance from the peg to the sampling location using measuring tape or wheel meter has been found to be suitable.
- 6.1.8 Label or otherwise identify the sample container with the field sample number. Sampling information may be recorded on a sampling log or worksheet provided there is a clear and unambiguous link from the record to each container.

7 Sampling during discharge

The procedure for sampling during discharge shall be as follows:

7.1 Moving stream - loader bucket

- 7.1.1 At the predetermined sampling interval, have an authorised operator position a loader bucket of at least 1 m³ to capture the discharge of the plant.
- 7.1.2 Have the loader parked in a safe location away from other traffic with the bucket resting on the ground.
- 7.1.3 Locate the highest point of the material and flatten the load by removing material to a depth of at least 200 mm in order to form a level surface approximately 500 mm wide and 750 mm long.
- 7.1.4 Obtain a sample from near the centre of the levelled surface using the standard shovel. Insert the blade vertically into the surface for the full depth of the blade, then place the excavated material into the sample container. If more material is required, widen the hole helically by obtaining adjacent shovels-full of material using the excavation technique described in this step.
- 7.1.5 Label or otherwise identify the sample container with the field sample number. Sampling information may be recorded on a sampling log or worksheet provided there is a clear and unambiguous link from the record to each container.

7.2 Moving stream - truck

- 7.2.1 At the predetermined sampling interval, have an authorised operator discharge at least 1 m³ of material into a truck. Have the selected truck parked in a safe location away from other traffic.

- 7.2.2 Gain access to the tray of the truck using a ladder or platform. Locate the longitudinal axis of the load or, if the truck is loaded off-centre, the axis which passes through the highest points.
- 7.2.3 Locate the centre of the longitudinal axis. At this location, flatten the load by removing material to a depth of at least 200 mm in order to form a level surface approximately 500 mm wide and 750 mm long.
- 7.2.4 Obtain a sample from near the centre of the levelled surface using the standard shovel. Insert the blade vertically into the surface for the full depth of the blade, then place the excavated material into the sample container. If more material is required, widen the hole helically by obtaining adjacent shovels-full of material using the excavation technique described in this step.
- 7.2.5 Label or otherwise identify the sample container with the field sample number. Sampling information may be recorded on a sampling log or worksheet provided there is a clear and unambiguous link from the record to each container.

8 Recording

Record the following information using a durable permanent marker on each sample container, sampling log, worksheet or tag affixed to the container:

- 8.1 Date of sampling.
- 8.2 Name of sampler.
- 8.3 Material type.
- 8.4 Sampling location, including GPS reference if required.
- 8.5 Lot identification, field sample number and increment number.
- 8.6 Specific sampling procedure used with reference to the relevant section or sub-section of this method.
- 8.7 Any other relevant information.

9 Reporting

The following shall be reported:

- 9.1 Date of sampling.
- 9.2 Material type.
- 9.3 Sampling location, including GPS reference if required.
- 9.4 Lot identification.
- 9.5 Specific sampling procedure used with reference to the relevant section or sub-section of this method.
- 9.6 The number of this test method, that is Q061.

10 Notes on method

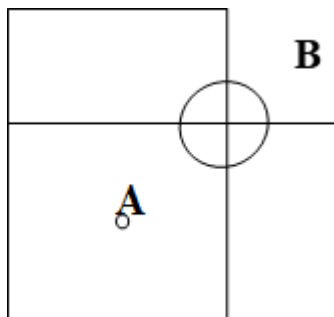
- 10.1 Generally, a bobcat will be used as the use of a profiler or insitu stabiliser will be impractical in most situations.

Table 1 – Minimum sample masses

Nominal size (mm)	63	53	40	28	20	16	14	10	7	5	2
Minimum mass (kg)	30	25	20	14	10	8	7	5	3.5	2.5	1

These sample masses are based on material with an apparent particle density of 2.65. The masses may need to be adjusted for exceptionally heavy or light material to provide a sample of equivalent volume.

Figure 1 – Sampling location



A: gauge probe access hole location (smaller circle).

B: location for reference density sample and/or moisture content sample (larger circle).

Test Method Q070: Dry coring of bound materials

1 Source

This method was developed in-house using techniques evolved through internal departmental research investigations.

2 Scope

This method describes the procedure to obtain core specimens from stabilised materials such as soils and crushed rock. The method is suitable for most lightly bound materials. However, difficulty may be encountered if coring is attempted at an early age before substantial strength development has occurred.

This method also describes the procedure for the preparation of the core specimens prior to testing. It involves cleaning, separation and sectioning of the core specimen as appropriate.

3 Apparatus

The following apparatus is required:

- 3.1 Coring machine, consisting of:
 - a) Motor is to be equipped with a swivel assembly and hollow output shaft to allow air to flow via the inside of the coring bit to the cutting face during operation.
 - b) Drill stand able to be held securely in position during coring by either using ballast, applying a vacuum or engaging a mechanical locking device. The drill stand needs to allow linear vertical movement of the coring bit.
- 3.2 Thin walled coring bit, capable of producing core specimens having a diameter complying with the requirements of Table 1.
- 3.3 Core extraction equipment, including pincers with curved blades, a length of 20 mm diameter rod and rubber mallet. The rod and mallet are to facilitate removal of cores retained within the coring bit.
- 3.4 Mechanical compactor, such as an electric demolition hammer for the compaction of patching material other than non-shrink grout. The compactor is to be equipped with a circular compaction plate having a diameter similar to that of the core hole.
- 3.5 Vacuum extraction system, capable of removing expelled air and dust from the region of the coring bit. The system should:
 - a) provide an adequate seal around the coring bit and with the surface to ensure removal of dust
 - b) be fitted with high efficiency particulate air (HEPA) filters
 - c) include a detachable hose that can be fitted with a nozzle to allow removal of dust from the surface and equipment.
- 3.6 Masonry saw.
- 3.7 Stiff wire brush.
- 3.8 Marking crayon.

4 Materials

The following materials are required:

- 4.1 Patching material, of a type which is compatible with the material being cored:
 - 4.1.1 Concrete - non-shrink grout (Note 9.1).
 - 4.1.2 Stabilised granular - fresh mixture of the material under test or a low strength non-shrink grout (Note 9.1).
- 4.2 Compressed air, a continuous supply to remove cuttings from the cutting face and to cool the coring bit.
- 4.3 Water-proof marker and plastic bags.
- 4.4 Bituminous emulsion for priming holes (asphalt patching only) (Note 9.1).

5 Sampling procedure

The procedure shall be as follows:

- 5.1 Select a coring bit which is suitable for the material being cored and which will provide specimens with a diameter specified in Table 1. Carefully examine the selected bit to ensure that it is not damaged or excessively worn. Out of shape bits, bits which rotate eccentrically or bits without sufficient diamond matrix must not be used since they are prone to produce cores which are irregularly shaped or fractured.
- 5.2 Assemble the coring machine and configure the machine to provide the appropriate rotational speed (Notes 9.2 and 9.3).
- 5.3 Locate the coring bit centrally over the selected test site and adjust the drill stand so that the coring bit is at right angles to the surface being cored.
- 5.4 Check the alignment of the bit by lowering it to the surface. Adjust the stand until the cutting face makes full contact with the surface, then secure the drill stand into position.
- 5.5 Raise the coring bit, and then start the motor. Adjust the air flow to ensure there is sufficient air return to flush fines from the cutting face and to cool the coring bit. Ensure the flow rate does not exceed the capacity of the dust extraction system. Start the dust extraction system.
- 5.6 Lower the bit and bed it into the surface using slight downward pressure if necessary. Once the bit is bedded, apply sufficient pressure to allow coring to proceed at a uniform rate without clogging the bit or significantly reducing the speed of rotation. Monitor and adjust the air flow to ensure there is sufficient air return to flush fines from the cutting face and to cool the coring bit without exceeding the capacity of the dust extraction system (Note 9.4).
- 5.7 Continue coring until the full depth of the layer has been cored or, where the coring is to be terminated partway through a layer, to a depth of at least 75 mm greater than that specified.
- 5.8 When coring is complete, raise the coring bit carefully from the hole and stop the motor and air flow. Remove any dust from the surface with the dust extraction system.
- 5.9 Remove the core without damage as follows:
 - 5.9.1 Where the core is sitting in the core hole, use the pincers to remove the core.
 - 5.9.2 Where the core is still attached to its base, use the pincers to grip and support the core over as much of its length as possible. Apply either a slight sideways pressure or a twisting action to detach the core. A twisting action is preferred if the core is to be separated at a layer interface.

- 5.9.3 Where the core is retained within the coring bit, use the rubber mallet to gently tap the sides of the bit to facilitate removal. If the core cannot be freed easily, remove the coring bit and use the 20 mm rod to push the core from the threaded end of the coring bit.
- 5.10 Inspect the core to ensure that it is intact, of the required length, cylindrical in shape, free from unwanted defects and that it has not been damaged or fractured during coring or extraction (Note 9.5).
- 5.11 Discard any defective core and obtain a replacement core in close proximity to the nominated site as detailed in Steps 5.4 to 5.11 (Note 9.6).
- 5.12 Label the core using a waterproof marker, and seal cores other than asphalt in plastic bags. All cores are to be packaged and stored so that they are not damaged in transit nor subjected to any artificial temperature conditions.
- 5.13 Reinststate the cored surface using an appropriate patching material as follows:
 - 5.13.1 Concrete pavement
 - a) Remove loose fines from the hole using the vacuum system.
 - b) Mix and fully compact the patching material in accordance with the manufacturer's instructions. Finish the surface flush with the cored surface and protect the patching material from traffic and the environment until final set has occurred.
 - 5.13.2 Stabilised granular pavement
 - a) Remove loose fines from the hole using the vacuum system.
 - b) Prepare a patching material by obtaining either fresh stabilised material, mix unbound material with the stabilising agent or obtain a low strength low shrink grout.
 - c) Compact the patching material in 50-75 mm lifts using the mechanical compactor to fully compact each layer.
 - d) Slightly overfill the hole so that the compacted patching material is at a height of approximately 5 mm above the cored surface.
 - e) Use the mechanical compactor to form the patching material into a convex mound.

6 Preparation of specimens

Preparation of the core sample using the masonry saw shall be as follows:

- 6.1 Cut any base material, seal, tack coat or other foreign matter from the core sample using the masonry saw, ensuring that as much of the sample as possible remains (Notes 9.5, 9.7 and 9.8).
- 6.2 Where the core sample is required to be sectioned or where different bound layers within the core sample are required to be separated, perform the following procedure:
 - a) Cut the core sample at the required position(s) using the masonry saw (Notes 9.5 and 9.7).
 - b) Remove any loose material from the cut section(s) using the wire brush.
- 6.3 Mark the core sample or core sample sections as appropriate with an identification number.

7 Records

The following information shall be recorded for each sample:

- 7.1 Date of sampling.
- 7.2 An identification number for each core.
- 7.3 Type of material.
- 7.4 Nominal size (mm).
- 7.5 The location of each core including a longitudinal (chainage) and a lateral (offset) reference. Where appropriate, include a plan to show the location of each test site.
- 7.6 Manufacturer of material.
- 7.7 Name of sampler.
- 7.8 A description of each core in terms of general condition, defects and density appearance.

8 Reporting

The following shall be reported:

- 8.1 Date of sampling
- 8.2 Type of material.
- 8.3 Nominal size (mm).
- 8.4 The location of each core including a longitudinal (chainage) and a lateral (offset) reference.
- 8.5 Manufacturer of material.

9 Notes on method

- 9.1 Before handling any patching materials, the operator should consult the relevant SDS.
- 9.2 The appropriate rotational speed will vary for different coring machines. Typical speeds will be in the range of 700 to 1000 rpm for 100 mm cores and 350 to 650 rpm for 150 mm cores.
- 9.3 When coring interlayers such as PMB seals, use the highest speed of rotation available.
- 9.4 Some common causes of defective cores are as follows:
 - a) Rounded edges on the upper surface are caused by poor coring bit seating or by a bit which rotates eccentrically.
 - b) Irregular sides are a result of incremental change in the rotational plane of the coring bit due to the use of a worn bit and/or excessive downward pressure during coring.
 - c) Loss of fines from the surface of weakly bound (stabilised) materials can be due to the abrasive action of loose pieces of aggregate.
- 9.5 Should fines build up on the surface around the rotating bit, do not remove these with compressed air. They should be removed using the dust extraction system.
- 9.6 Where the cutting depth of the saw blade is smaller than the diameter of the core sample, the sample shall be rotated slowly during the cutting process.
- 9.7 Either compressed air or dry ice can usually be used to cool the saw blade. Where the core specimen is to be tested for properties which may be affected by water penetration into the sample, for example, compacted density, voids properties, cooling by dry ice is preferred.

9.8 The intention is that all material not belonging to the bound layer is removed. This may result in the loss of some of the bound layer. Where measurement of layer thickness is required, such measurement will then need to be performed prior to cutting the core specimen.

Table 1 – Core diameter

Material/application	Test	Nominal size (mm)	Core diameter (mm)
Concrete* or stabilised material#	UCS and density	Aggregate > 20	150
		Aggregate ≤ 20	100# or 150

*It is preferred that concrete UCS specimens have a height to diameter (h/d) ratio of 2. Where the stipulated diameter isn't practical for thin layers, cores having lesser diameters can be taken provided the diameter is 4 times the nominal maximum particle size and the h/d ratio is not less than 1.

#It is preferred that stabilised material UCS specimens have a height to diameter (h/d) ratio of 1.15. Generally 100 mm diameter cores should always be taken provided the height diameter ratio is not less than 1.15 or greater than 2.0.

Test Method Q080: Sampling of bituminous binder

1 Source

This method is based on the Main Roads Western Australia Test Method WA 700.1: *Sampling procedures for bitumen and oils*.

2 Scope

This method describes the procedure for sampling for testing purposes of bituminous binders (including cutting or fluxing oils or combinations thereof) from bulk storage tanks, ship tankers, rail or road tankers, sprayers, drums and pavements.

This method does not attempt to address all of the safety concerns, if any, associated with its use. The user of this method is responsible for establishing appropriate occupational health and safety practices that meet statutory regulations.

Exercise extreme caution when sampling hot binders, cutbacks or blends, as there is a severe risk of injury due to burns or fire. Wear protective clothing when sampling. No smoking in the general vicinity when sampling. Do not sample through an open hatch of a tank.

Install low pressure in-line sampling cocks on the suction side of a pump and never install on the pressure side.

3 Apparatus

The following apparatus may be required depending on the procedure used for sampling:

- 3.1 Sample containers, minimum 1 litre capacity double-tight friction-top tins (Note 10.1).
- 3.2 Low pressure in-line sampling cock. An example is in MRWA Test method WA 700.1 Figure 1.
- 3.3 High pressure in-line sampling cock. An example is in MRWA Test method WA 700.1 Figure 2.
- 3.4 Weighted sampling bottle.
- 3.5 Core cutter with a diamond bit minimum 100 mm diameter, complete with air or water supply.
- 3.6 Flat trays, sample tins or clean bags for pavement samples.
- 3.7 Diamond or compound saw.
- 3.8 Sampling tools, for example, shovel or scoop.

4 Bulk storage - sampling during transfer or circulation

The procedure for sampling from bulk storage during transfer or circulation shall be as follows:

- 4.1 Perform sampling during transfer or circulation when material in storage tanks, rail or road tankers, ship tankers, sprayers or is flowing through a pipeline or hose and a suitable in-line sampling cock is available. For road tankers or sprayers, circulate the binder for a minimum of 15 minutes prior to sampling.
- 4.2 Select the quantity of material or duration of transfer that will constitute the sampled lot.
- 4.3 Determine the number of test samples required.
- 4.4 Take each test sample in accordance with Step 4.7 or 4.8.

4.5 If only a representative value of a material property is required and not its variability, then combine all test samples from a lot to give a single bulk sample provided the test samples are of approximately the same size and the test property is not distorted by this procedure.

4.6 Label or otherwise identify the sample container with the field sample number and increment number. The increment number has to include the number of sample increments required for the sample. For example, 1/4 identifies the first sample increment in a total of four increments.

4.7 Sampling from other than spray bars

4.7.1 Fit a thoroughly clean and dry sampling cock in position (if not already fitted).

4.7.2 Open the sampling cock and discharge to waste about 4 litres of material to ensure there is no contamination of subsequent samples.

4.7.3 Take each test sample by discharging material from the sampling cock into a clean container taking care to avoid spillage (Note 10.2). Take a test sample of about 1 litre. Seal the container as soon as possible after sampling.

4.8 Sampling from spray bars

4.8.1 This sampling can only be undertaken while the sprayer is stationary.

4.8.2 Place a container on the ground and carefully turn on the nozzle manually. Discharge to waste about 4 litres of material to ensure there is no contamination of subsequent samples.

4.8.3 Take each test sample by discharging material from the spray bar by carefully turning the nozzle on manually into a clean container placed on the ground taking care to avoid spillage (Note 10.2). Take a test sample of about 1 litre. Seal the container as soon as possible after sampling.

5 Bulk storage - sampling when there is no transfer or circulation

The procedure for sampling from bulk storage when there is no transfer or circulation shall be as follows:

5.1 This section refers to sampling material from storage tanks, rail tankers, road tankers, sprayers or mobile storage tanks when the material is not being transferred or circulated through a pipeline or hose. The nature of bulk storage tanks only permits the use of spot sampling. Sampling cocks fixed directly to the tank or its outlet may be used. The use of fixed sampling cocks only allows a sample increment to be taken from material in the immediate vicinity of the sampling cock. This material may not be representative of the contents of the tank. Only use this sampling method where there are no other options for obtaining a test sample.

5.2 Open the sampling cock and discharge to waste about 4 litres of material to ensure there is no contamination of subsequent samples.

5.3 Take at least one sample increment for each test sample by discharging material from the sampling cock into a clean container taking care to avoid spillage (Note 10.2). Take a test sample of at least 1 litre. Seal the container as soon as possible after sampling.

5.4 Label or otherwise identify the sample container with the field sample number and increment number. The increment number must also include the number of sample increments required for the sample. For example, 1/4 identifies the first sample increment in a total of four increments.

6 Sampling from drums

The procedure for sampling from drums shall be as follows:

- 6.1 Perform random sampling from drums only when the material can flow easily.
- 6.2 Select the quantity of material that will constitute sampled lot.
- 6.3 Determine the required number of drums to sample.
- 6.4 Take each test sample in accordance with Step 6.7 or 6.8.
- 6.5 If only a representative value of a material property is required and not its variability, then combine all test samples from a lot to give a single bulk sample provided the test samples are of approximately the same size and the test property is not distorted by this procedure.
- 6.6 Label or otherwise identify the sample container with the field sample number and increment number. The increment number must also include the number of sample increments required for the sample. For example, 1/4 identifies the first sample increment in a total of four increments.

6.7 Liquid Material

- 6.7.1 Agitate the drum to provide a single uniform sample then take a test sample or sample increment using either a sampling cock, a sampling bottle or a pump.
- 6.7.2 Transfer the material to a clean container taking care to avoid spillage (Note 10.3).
- 6.7.3 Take a test sample of at least 1 litre and seal the container as soon possible after sampling (Note 10.2).

6.8 Solid Material

- 6.8.1 Take a test sample or sample increment from a sample site at least 100 mm below the surface and at least 100 mm from the side of the container. A clean hatchet may be used if the material is hard enough to shatter or a broad stiff knife if the material is soft.
- 6.8.2 Transfer the material to a clean container.
- 6.8.3 Take a test sample of at least 1 litre and seal the container as soon as possible after sampling (Note 10.2).

7 Sampling from pavements

The procedure for sampling from pavements shall be as follows:

- 7.1 This method is for the sampling of bitumen for pavement investigations. Cut the sample from the pavement using a cutting disc, corer or manual tools such as crowbar or pick. This method is not for sampling for quality control or quality assurance testing.
- 7.2 Determine the number of test samples required.
- 7.3 Determine the boundaries of the section to sample.
- 7.4 Take each test sample by cutting around the boundary of the sample site taking care to ensure minimum disturbance of the slab. Use suitable cooling if required.
- 7.5 Cut the test sample to or beyond the full depth of the layer sampled.
- 7.6 Remove the test sample with the minimum disturbance of the slab and place in a clean container. Sample sufficient material to satisfy the requirements of all proposed tests.

- 7.7 Label or otherwise identify the sample container with the field sample number and increment number. The increment number must also include the number of sample increments required for the sample. For example, 1/4 identifies the first sample increment in a total of four increments.

8 Recording

Record the following information using a durable permanent marker on each sample container, sampling log, worksheet or tag affixed to the container:

- 8.1 Identification of storage vessel.
- 8.2 Date of sampling.
- 8.3 Name of sampler.
- 8.4 Material type, classification of binder.
- 8.5 Supplier.
- 8.6 Sampling location.
- 8.7 Lot identification, field sample number and increment number.
- 8.8 Amount of material represented.
- 8.9 Specific sampling procedure used with reference to the relevant sub-section of this method.
- 8.10 Any other relevant information.

9 Reporting

The following shall be reported:

- 9.1 Date of sampling.
- 9.2 Material type, classification of binder.
- 9.3 Sampling location.
- 9.4 Lot identification.
- 9.5 Specific sampling procedure used with reference to the relevant sub-section of this method.

10 Notes on method

- 10.1 New paint tins with handles are suitable.
- 10.2 Allow sufficient room for expansion or contraction of the material in the container.
- 10.3 To avoid contamination it may be necessary to discharge to waste the initial material withdrawn.

Test Method Q101: Preparation of disturbed samples

1 Source

This method was developed in-house using techniques evolved through internal departmental investigations.

2 Scope

This method describes procedures for preparing samples of soil and aggregate as received from the field for testing. The preparation procedures include breaking up of aggregations of fines and soil clods, removal of coatings of fines from aggregate particles, crushing, separation by screening and splitting out of representative subsamples. This method may also be applied to the preparation of Winton Sandstone (Note 7.1).

3 Apparatus

The following apparatus is required:

- 3.1 Drying oven of suitable capacity, having a temperature of 45 - 50°C and complying with AS 1289.0.
- 3.2 Screen, 10 mm.
- 3.3 Sieves, 37.5, 19.0, 9.50, 4.75 and 2.36 mm complying with ISO 3310.
- 3.4 Sample preparation machine (shredder).
- 3.5 Sample preparation machine (mulcher).
- 3.6 Knife for slicing clay lumps.
- 3.7 Mixing apparatus, for example, shovel, scoop or trowel.
- 3.8 Cone and quartering equipment:
 - a) quartering cross (optional)
 - b) shovel, flat bottomed scoop or trowel, and
 - c) brush.
- 3.9 Sample containers which prevent fines loss. Airtight containers are required for moisture content samples. Containers are to be of a size or so configured that their maximum capacity does not exceed approximately 20 kg.
- 3.10 Suitable trays or containers for oven or air drying of subsamples.

4 Materials

The following materials are required:

- 4.1 Dispersing agent
 - Prepare by dissolving 33 g of sodium hexametaphosphate (LR Grade) and 7 g of anhydrous sodium carbonate (LR Grade) or 18.9 g of sodium carbonate decahydrate (LR Grade) in one litre of water (Note 7.2).
- 4.2 This solution is unstable and is to be freshly prepared approximately once a month with the preparation and expiry dates recorded on the container.

5 Preliminary sample preparation

Preliminary sample preparation shall be as follows:

5.1 Sample assessment

- 5.1.1 Assess the bulk sample to determine if it is in a free-flowing condition and contains any large aggregations of fines or soil clods (Notes 7.3 and 7.4).
- 5.1.2 If the sample is free-flowing and contains no large aggregations, then conduct the preliminary sample preparations as detailed in Subsection 5.3.
- 5.1.3 If the sample is not in an acceptable condition then precondition it as detailed in Subsection 5.2 and prepare the preconditioned sample as detailed in Subsection 5.3.

5.2 Sample preconditioning

- 5.2.1 If the moisture content "as received" is required, combine and split by coning and quartering the bulk sample as detailed in the appropriate subsection(s) in Test Method Q101A until the required test subsample is obtained.
- 5.2.2 Test the subsample to determine its moisture content () as detailed in Test Method AS 1289.2.1.1 or one of the subsidiary Test Methods AS 1289.2.1.4 or AS 1289.2.1.6, for which a relationship with Test Method AS 1289.2.1.1 has been established and used in accordance with Test Method AS 1289.2.3.1. Alternatively, seal the subsample in an airtight container and test as detailed in Subsection 6.1 (Note 7.5).
- 5.2.3 Air dry or oven dry at 45-50°C the remaining material until a free-flowing condition is reached. To facilitate drying, any clay lumps may be sliced prior to drying or shredded using a shredder or mulcher.
- 5.2.4 Break up any large aggregations of fines or soil clods as detailed in the appropriate subsection(s) in Test Method Q101D and mix back into the remainder of the sample.
- 5.2.5 For Winton Sandstone samples, screen the sample on a 2.36 mm sieve and remove coatings of fines from the retained material by using the appropriate subsection(s) in Test Method Q101D. Recombine the material retained on the 2.36 mm sieve with the material passing the 2.36 mm sieve (Note 7.6).

5.3 Sample combination and splitting

- 5.3.1 Combine the bulk sample if necessary to form representative subsamples as detailed in the appropriate subsection in Test Method Q101A (Note 7.5).
- 5.3.2 Estimate the approximate quantity of material required for the testing program from the appropriate test method(s).
- 5.3.3 Further split the representative subsample(s) to provide subsamples for each test in the testing program using the appropriate subsection in Test Method Q101B.
- 5.3.4 Air or oven dry the subsamples which require drying prior to further preparation or testing. Use a temperature of 45-50°C for oven drying unless otherwise specified in the appropriate test method.
- 5.3.5 Set aside subsamples which do not require drying for further preparation or testing.

5.4 Pretreatment

Where there is a requirement to simulate the material breakdown that will occur during the construction process, pre-treat the subsample as detailed in Test Method Q101E (Note 7.7).

6 Test subsample preparation

Test subsample preparation shall be as follows:

6.1 Moisture content subsamples

- 6.1.1 Reduce the subsamples prepared as detailed Step 5.2.1 or Subsection 5.3 using the appropriate subsection(s) in Test Method Q101B (Note 7.5).
- 6.1.2 Test the subsample to determine its moisture content (w) as detailed in Test Method AS 1289.2.1.1 or one of the subsidiary Test Methods AS 1289.2.1.4 or AS 1289.2.1.6, for which a relationship with Test Method AS 1289.2.1.1 has been established and used in accordance with Test Method AS 1289.2.3.1.

6.2 Compaction subsamples

- 6.2.1 Screen the subsample prepared as detailed in Section 5 over a sieve (screening sieve) equal in aperture size to the maximum particle size to be used in the test.
- 6.2.2 Break up aggregations of fines or soil clods and remove coatings of fines from the retained material by using the appropriate subsection(s) in Test Method Q101D. Discard the clean aggregate retained on the screening sieve (Note 7.8) and include the material passing the screening sieve with the remainder of the sample.
- 6.2.3 Process the material passing the screening sieve to ensure that all aggregations of fines or soil clods have been broken up and coatings of fines removed so that, if the subsample was sieved on a 9.50 mm sieve, only discrete uncrushed particles would be retained (Notes 7.9, 7.10 and 7.11).
- 6.2.4 If necessary, combine all the material passing the screening sieve using the appropriate subsection in Test Method Q101A.
- 6.2.5 Obtain test subsamples by further splitting or by fractionation as detailed in Test Method Q101B or Q101C respectively.
- 6.2.6 Place the prepared test subsamples in airtight containers.

6.3 Coarse fraction subsample

Where the test requires subsamples containing uncrushed discrete particles retained on a specified sieve, prepare the subsample as follows:

- 6.3.1 Screen the subsample prepared as detailed in Section 5 on the specified sieve (screening sieve) and discard the material passing the sieve or keep separate for use in other tests if required.
- 6.3.2 Break up any aggregations of fines or soil clods retained on the screening sieve using an appropriate subsection in Test Method Q101D.
- 6.3.3 Re-sieve the material and discard the material passing or include with the passing material from Step 6.3.1.
- 6.3.4 Reduce the retained material if necessary as detailed in Test Method Q101B.
- 6.3.5 Wash the subsample (Note 7.12).
- 6.3.6 Dry the subsample as specified in the appropriate test method.
- 6.3.7 Reduce the subsample as detailed in Test Method Q101B to obtain the required test subsample(s).
- 6.3.8 Place the prepared test subsample(s) in an airtight container.

6.4 Fine fraction subsample

Where the test requires subsamples containing uncrushed discrete particles passing a specified sieve, prepare the subsamples as follows:

- 6.4.1 Screen the subsample prepared as detailed in Section 5 on the specified sieve.
- 6.4.2 Break up all aggregations of fines and soil clods and remove coatings of fines from the material retained on the sieve using the appropriate subsection in Test Method Q101D.
- 6.4.3 Re-sieve the material and discard the retained material or keep the retained separate to be used in other tests if required.
- 6.4.4 Combine the material passing the specified sieve using an appropriate subsection in Test Method Q101A.
- 6.4.5 Reduce the combined material as detailed in Test Method Q101B to obtain the required test subsample(s).
- 6.4.6 Place the prepared test subsample(s) in an airtight container.

6.5 Specified fraction subsample

Where the test requires a specified fraction size or a combination of fraction sizes, prepare the subsample as follows:

- 6.5.1 Screen the subsample prepared as detailed in Section 5 over the smallest sieve specified by the fraction. Discard the passing material or keep separate to be used in other tests if required.
- 6.5.2 Break up any aggregations of fines retained on the sieve using an appropriate subsection in Test Method Q101D.
- 6.5.3 Re-sieve the material over the specified sieves and discard the material retained on the largest sieve. Discard the material passing the smallest sieve or include with the passing material from Step 6.5.1.
- 6.5.4 Wash the fraction(s) (Note 7.12).
- 6.5.5 Dry the fraction(s) as specified in the appropriate test method.
- 6.5.6 Reduce the fraction(s) as detailed in Test Method Q101B to obtain the required test subsample(s).
- 6.5.7 Place the prepared test subsample(s) in an airtight container.

6.6 Crushed subsample

Prepare a crushed subsample as follows:

- 6.6.1 Crush the subsample prepared as detailed in Section 5 or Sections 5 and 6 to pass the specified sieve using the appropriate subsection in Test Method Q101D (Notes 7.13 and 7.14).
- 6.6.2 Reduce the subsample as detailed in Test Method Q101B to obtain the required test subsample mass.
- 6.6.3 Place the prepared test subsample in an airtight container.

7 Notes on method

- 7.1 Winton Sandstone is defined in the Transport and Main Roads publication, Vanderstaay A.G.B., "Material Sources in Western Queensland", Western Queensland Best Practice Guidelines – WQ33, May 2000.
- 7.2 Before handling hydrogen peroxide, concentrated hydrochloric acid, sodium hexametaphosphate, anhydrous sodium carbonate, sodium carbonate decahydrate, barium chloride or anhydrous silica gel, the operator should consult the relevant SDS.
- 7.3 Remove all foreign matter such as roots and sticks from the material during processing. The final report should detail any foreign matter found in the sample.
- 7.4 It is not necessary or desirable to dry the material before commencing preparation. In order to reduce dust nuisance it is preferable that splitting be done on a moist sample. However, the material should be sufficiently dry to obtain representative subsamples.
- 7.5 Prepare test subsamples for determination of moisture content "as received" to minimize any moisture loss during the preparation.
- 7.6 Generally a mortar and pestle is the most suitable method of cleaning and grinding the Winton Sandstone material retained on the 2.36 mm sieve.
- 7.7 For Winton Sandstone materials pre-treatment is required unless the sample is obtained from a compacted pavement.
- 7.8 Particular test methods require that the mass of material retained on the screening sieve be recorded and reported. For these methods, record the total mass of retained material and if required, obtain a representative sample for moisture content determination in accordance with Test Method AS 1289.2.1.1.
- 7.9 A sieve other than 9.50 mm may be used. However, an increased sieve aperture will result in an increase in curing time. A decrease in aperture sieve will reduce curing time, but can substantially increase preparation time.
- 7.10 For Winton Sandstone material a 2.36 mm sieve should be used.
- 7.11 When preparing moist subsamples which have low to medium plasticity, it is not necessary to remove coatings of fines provided the particles are only lightly coated.
- 7.12 Most materials may be washed without the addition of a dispersing agent. However, soaking in a solution of sodium hexametaphosphate (Calgon) may be necessary if the sample contains highly plastic fines.
- 7.13 In order to reduce the preparation time when all of a subsample has been crushed to totally pass a particular sieve listed in Table 1, a further subsample may be taken in accordance with an appropriate subsection in Test Method Q101B. Crush this subsample to pass a smaller sieve in Table 1. This process of progressive crushing and subsampling may be continued until the required particle size is obtained.
- 7.14 For preparation of subsamples for chemical testing Test Method Q101F should be used.

Table 1 - Minimum subsample mass

Maximum particle size in subsample* (mm)	Minimum mass of subsample (kg)
150	125
100	70
75	40
53	25
37.5	15
26.5	5
19.0	2
9.50	0.5
4.75	0.2
2.36	0.1
0.425	0.05

*Maximum particle size is identical with the size of the smallest sieve through which the material will pass.

Test Method Q101A: Sample combination and splitting

1 Source

This method was developed in-house using techniques evolved through internal departmental investigations.

2 Scope

Obtain representative subsamples by either total sample combination or lot combination. Perform total sample combination when the bulk sample as received is 12 containers or less. Perform lot combination when the bulk sample as received is more than 12 containers.

3 Apparatus

The following apparatus is required:

- 3.1 Increment containers, of a size or so configured that their maximum capacity does not exceed approximately 20 kg.
- 3.2 Labels or tags and marking pens.
- 3.3 Sample divider (riffle), conforming with the requirements of AS 1141.2.
- 3.4 Rotary cone splitter.
- 3.5 Rotary sample divider
- 3.6 Cone and quartering equipment:
 - a) quartering cross (optional)
 - b) shovel, flat bottomed scoop or trowel, and
 - c) brush.

4 Riffing

The procedure for riffing shall be as follows:

4.1 Total sample combination (refer to Figure 1)

- 4.1.1 Place a portion of the sample in a riffle box ensuring even distribution, hand placing large particles if necessary (Note 7.1).
- 4.1.2 Split the sample by pouring the material at a uniform rate over the chutes of the riffle, ensuring that no blockages occur and that any oversize particles are divided evenly between the two receiving riffle boxes by hand.
- 4.1.3 If the two receiving boxes contain sufficient material, suspend riffing. Set the two receiving riffle boxes aside, place two empty riffle boxes at the collection points and continue riffing.
- 4.1.4 Repeat Steps 4.1.1 to 4.1.3 until all the material has been split.
- 4.1.5 Keep all the material accumulated at each of the two collection points separate from each other to form two sample increments.
- 4.1.6 Using the riffle, split each sample increment to produce two smaller sample increments, one at each collection point. Keep these smaller sample increments separate from each other.
- 4.1.7 Repeat Step 4.1.6 until such time as the resulting sample increments each comprises only one subsample (that is, one riffle box). The subsamples are now representative (Note 7.1).

4.2 Lot combination

This procedure has the advantage of dividing the bulk sample into manageable lots or groups.

- 4.2.1 Sort the bulk sample as received into equal lots of similar volume (for example, a bulk sample of 16 containers, 4 lots of 4 containers would be prepared and the containers labelled accordingly).
- 4.2.2 Combine all of the material within a lot (for example, containers 1 to 4 of lot 1) as detailed in Subsection 4.1.
- 4.2.3 Place the subsamples produced in the appropriately labelled containers, such that each container contains the same number of sample increments.
- 4.2.4 Repeat Steps 4.2.2 and 4.2.3 for each of the remaining lots.
- 4.2.5 Obtain representative subsamples by combining an equal number of containers from each lot as detailed in Subsection 4.1.

5 Rotary cone splitter

This device is suitable for material having a maximum particle size not exceeding 37.5 mm.

The procedure for splitting using a rotary cone shall be as follows:

5.1 Total sample combination (refer to Figure 2)

- 5.1.1 Place a portion of the sample in the hopper, taking care to ensure that there is no appreciable segregation of material (Note 7.1).
- 5.1.2 Place an increment container at each collection point.
- 5.1.3 Rotate the receivers at a constant speed and allow the hopper to discharge in one operation.
- 5.1.4 Empty the contents of each receiver into its corresponding increment container.
- 5.1.5 Split all the material in accordance with Steps 5.1.1, 5.1.3 and 5.1.4. Each sample increment is now representative.
- 5.1.6 Should smaller subsamples be required, repeat Steps 5.1.1 to 5.1.4 using one or more complete sample increments prepared in Step 5.1.5.

5.2 Lot combination

This procedure has the advantage of dividing the bulk sample into easily managed lots or groups.

- 5.2.1 Sort the bulk sample as received into equal lots of similar volume (for example, a bulk sample of 48 containers, 4 lots of 12 containers would be prepared and the containers labelled accordingly).
- 5.2.2 Combine all the material within a lot (for example, containers 1 to 12 of lot 1) as detailed in Subsection 5.1.
- 5.2.3 Place the sample increments produced in the appropriately labelled containers such that each container contains the same number of whole sample increments.
- 5.2.4 Repeat Steps 5.2.2 and 5.2.3 for each of the remaining lots.
- 5.2.5 Obtain representative subsamples by combining an equal number of containers from each lot as detailed in Subsection 5.1.

6 Rotary sample divider

This device is suitable for material having a maximum particle size not exceeding 37.5 mm.

The procedure for splitting using a rotary sample divider shall be as follows:

6.1 Total sample combination (refer to Figure 2)

- 6.1.1 Place a portion of the sample in the hopper, taking care to ensure that there is no appreciable segregation of material (Note 7.1).
- 6.1.2 Place an increment container at each collection point.
- 6.1.3 Adjust the vibratory feeder tray, feed gap, vibration frequency and rotation speed in accordance with the manufacturer's instructions. The feed gap will be set to three times the maximum particle size of the sample.
- 6.1.4 Commence the discharge of material into the receivers. The receivers should rotate at a constant speed until the discharge is completed.
- 6.1.5 Empty the contents of each receiver into its corresponding increment container.
- 6.1.6 Split all the material in accordance with Steps 6.1.1, 6.1.4 and 6.1.5. Each sample increment is now representative.
- 6.1.7 Should smaller subsamples be required, repeat Steps 6.1.1 to 6.1.5 using one or more complete sample increments prepared in Step 6.1.6.

6.2 Lot combination

This procedure has the advantage of dividing the bulk sample into easily managed lots or groups.

- 6.2.1 Sort the bulk sample as received into equal lots of similar volume (for example, a bulk sample of 48 containers, four lots of 12 containers would be prepared and the containers labelled accordingly).
- 6.2.2 Combine all the material within a lot (for example, containers 1 to 12 of lot 1) as detailed in Subsection 6.1.
- 6.2.3 Place the sample increments produced in the appropriately labelled containers such that each container contains the same number of whole sample increments.
- 6.2.4 Repeat Steps 6.2.2 and 6.2.3 for each of the remaining lots.
- 6.2.5 Obtain representative subsamples by combining an equal number of containers from each lot as detailed in Subsection 6.1.

7 Coning and quartering

Only combine samples by coning and quartering in situations where other procedures are not appropriate.

The procedure for cone and quartering shall be as follows:

- 7.1 Place the material on a clean flat surface and thoroughly mix using a shovel, flat-bottomed scoop, trowel or other suitable apparatus.
- 7.2 Form the material into a cone and then flatten into a circular layer of approximately uniform thickness.

- 7.3 Divide the material into quarters and then gather the diagonally opposite quarters and mix to form two subsamples. Form each subsample as detailed in Step 7.2.
- 7.4 Repeat Step 7.3 for each subsample until the resultant subsamples are of the required size.

8 Notes on method

- 8.1 The minimum mass of material split should ensure the quantity of material collected in each riffle box/receiver is equal to the minimum mass required for a representative subsample in accordance with Table 1. For materials with a maximum particle size larger than 37.5 mm, this rule may not be observed due to capacity of available apparatus.

Table 1 – Minimum subsample mass

Maximum particle size in subsample *(mm)	Minimum mass of subsample (kg)
150	125
100	70
75	40
53	25
37.5	15
26.5	5
19.0	2
9.5	0.5
4.75	0.2
2.36	0.1
0.425	0.05

*Maximum particle size is identical with the size of the smallest sieve through which the material will pass.

Figure 1 – Total sample combination by riffling

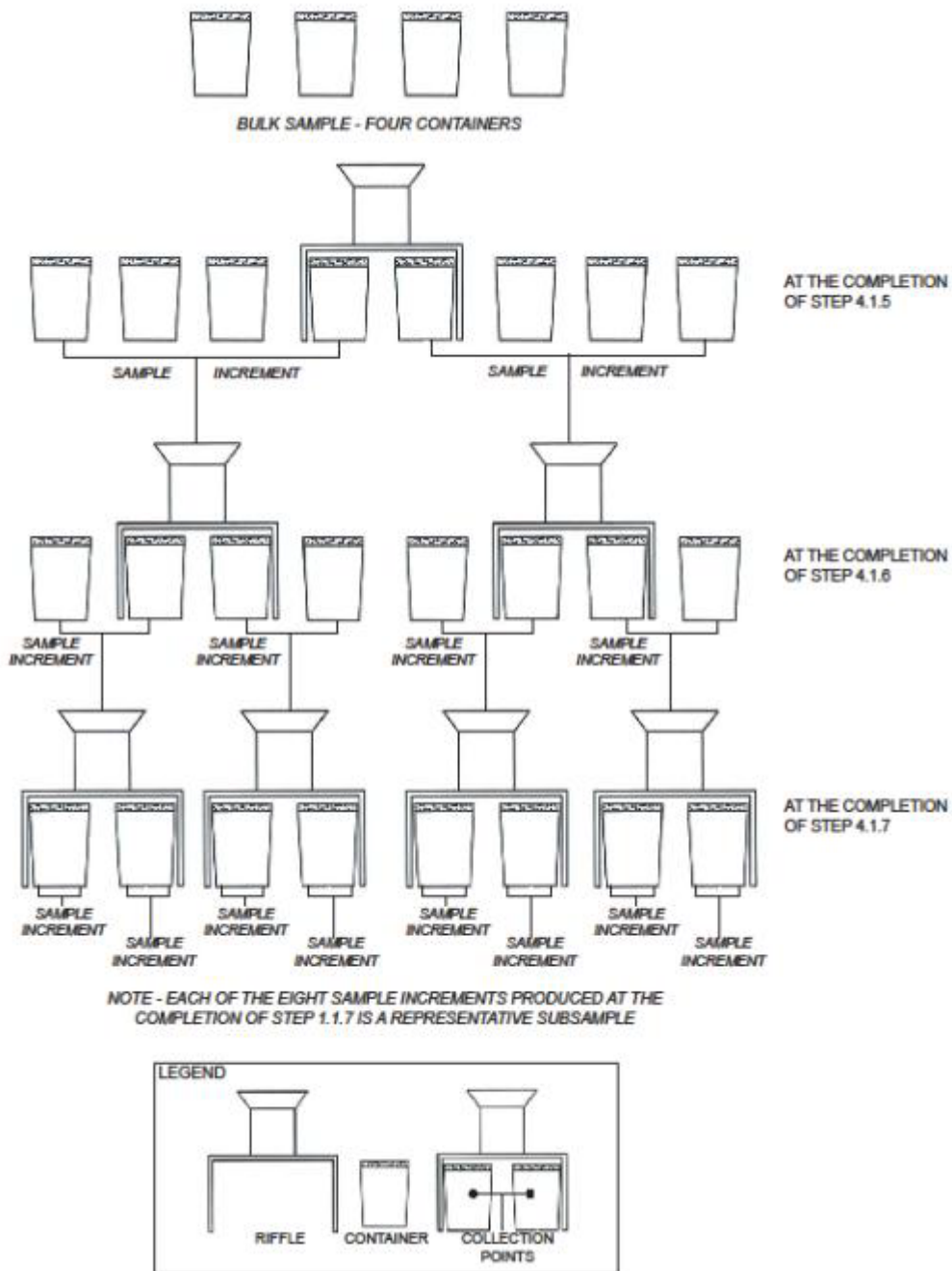
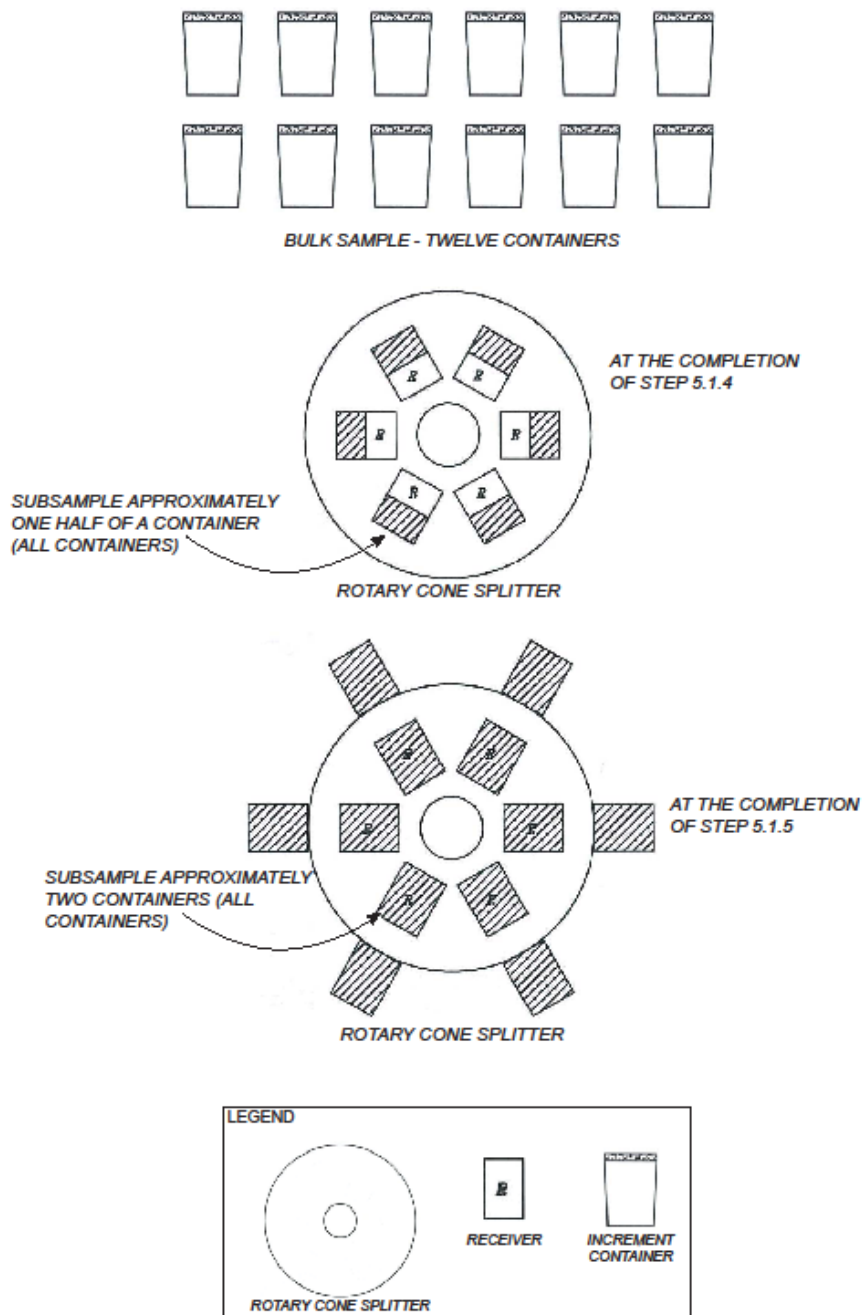


Figure 2 – Total sample combination by rotary cone



Test Method Q101B: Representative sample reduction

1 Source

This method was developed in-house using techniques evolved through internal departmental investigations.

2 Scope

Representative test subsamples of approximate, minimum and specified mass are prepared from representative subsamples, obtained from Test Method Q101A where necessary, by splitting using a riffle or rotary cone splitter.

3 Apparatus

The following apparatus is required:

- 3.1 Increment containers, of a size or so configured that their maximum capacity does not exceed approximately 20 kg.
- 3.2 Labels or tags and marking pens.
- 3.3 Sample divider (riffle), conforming with the requirements of AS 1141.2.
- 3.4 Rotary cone splitter.
- 3.5 Rotary sample divider.
- 3.6 Flat-bottomed scoop.

4 Riffle

The procedure for riffling shall be as follows:

4.1 Approximate/minimum test subsample mass

- 4.1.1 Place a portion of the representative subsample in a riffle box ensuring even distribution, hand placing large particles if necessary.
- 4.1.2 Split the sample by pouring the material at a uniform rate over the chutes of the riffle ensuring that no blockages occur. Divide oversize particles evenly between the two riffle boxes by hand.
- 4.1.3 Repeat Steps 4.1.1 to 4.1.2 until all the material has been split.
- 4.1.4 Repeat Step 4.1.2 using any combination of representative subsamples until the required number of representative test subsamples of the required approximate or minimum mass are obtained.

4.2 Specified test subsample mass

- 4.2.1 Place a portion of the representative subsample in the riffle box ensuring even distribution, hand placing large particles if necessary.
- 4.2.2 Split the sample by pouring the material at a uniform rate over the chutes of the riffle ensuring that no blockages occur. Divide oversize particles evenly between the two riffle boxes by hand.
- 4.2.3 Repeat Steps 4.2.1 and 4.2.2 until the material has been split.

- 4.2.4 Repeat Step 4.2.2 using any combination of representative subsamples until the required number of test subsamples of approximate mass, but less than that specified, have been obtained.
- 4.2.5 Cone and quarter a representative subsample as detailed in Test Method Q101A. Use this subsample as a stock subsample to increase the mass of the subsamples previously obtained at Step 4.2.4.
- 4.2.6 Use a flat-bottomed scoop to obtain a representative subsample from the stock subsample. Add the scooped material to a subsample obtained in Step 4.2.4 until the specified test subsample mass is obtained. At no time is material be added to a test subsample by hand or by pouring from a container.
- 4.2.7 Repeat Step 4.2.6 until all the test subsamples have been brought to the specified mass.

5 Rotary cone splitter

This device is suitable for material having a maximum particle size not exceeding 37.5 mm.

The procedure for splitting using a rotary cone shall be as follows:

5.1 Approximate/minimum test subsample mass

- 5.1.1 Place a portion of the representative subsample in the hopper taking care to ensure that there is no appreciable segregation of material.
- 5.1.2 Place an increment container at each collection point.
- 5.1.3 Rotate the receivers at a constant speed and allow the hopper to discharge in one operation.
- 5.1.4 Empty the contents of each receiver into its corresponding increment container.
- 5.1.5 Repeat Steps 5.1.1, 5.1.3 and 5.1.4 until the whole representative subsample has been split.
- 5.1.6 Repeat Steps 5.1.1 to 5.1.4 using any combination of representative subsamples until the required number of representative test subsamples of the required approximate/minimum mass have been obtained.

5.2 Specified test subsample mass

- 5.2.1 Place a portion of the representative subsample in the hopper taking care to ensure there is no appreciable segregation of material.
- 5.2.2 Place an increment container at each collection point.
- 5.2.3 Rotate the receivers at a constant speed and allow the hopper to discharge in one operation.
- 5.2.4 Empty the contents of each receiver into its corresponding increment container.
- 5.2.5 Repeat Steps 5.2.1, 5.2.3 and 5.2.4 until the whole representative subsample has been split.
- 5.2.6 Repeat Steps 5.2.1 to 5.2.4 using any combination of representative subsamples until the required number of test subsamples of approximate mass, but less than that specified, have been obtained.
- 5.2.7 Cone and quarter a representative subsample as detailed in Test Method Q101A. Use this subsample as a stock subsample to increase the mass of the subsamples previously obtained at Step 5.2.6.
- 5.2.8 Use a flat-bottomed scoop to obtain a representative subsample from the stock subsample. Add the scooped material to a subsample obtained in Step 5.2.6 until the specified test

subsample mass is obtained. At no time is material be added to a test subsample by hand or by pouring from a container.

5.2.9 Repeat Step 5.2.8 until all the test subsamples have been brought to the specified mass.

6 Rotary sample divider

This device is suitable for material having a maximum particle size not exceeding 37.5 mm.

The procedure for splitting using a rotary sample divider shall be as follows:

6.1 Approximate / minimum test subsample mass

6.1.1 Place a portion of the sample in the hopper, taking care to ensure that there is no appreciable segregation of material.

6.1.2 Place an increment container at each collection point.

6.1.3 Adjust the vibratory feeder tray, feed gap, vibration frequency and rotation speed in accordance with the manufacturer's instructions. The feed gap will be set to three times the maximum particle size of the sample.

6.1.4 Commence the discharge of material into the receivers. The receivers should rotate at a constant speed until the discharge is completed.

6.1.5 Empty the contents of each receiver into its corresponding increment container.

6.1.6 Repeat Steps 6.1.1, 6.1.4 and 6.1.5 until the whole representative subsample has been split.

6.1.7 Repeat Steps 6.1.1 to 6.1.5 using any combination of representative subsamples until the required number of representative test subsamples of the required approximate / minimum mass has been obtained.

6.2 Specified test subsample mass

6.2.1 Place a portion of the sample in the hopper, taking care to ensure that there is no appreciable segregation of material.

6.2.2 Place an increment container at each collection point.

6.2.3 Adjust the vibratory feeder tray, feed gap, vibration frequency and rotation speed in accordance with the manufacturer's instructions. The feed gap will be set to three times the maximum particle size of the sample.

6.2.4 Commence the discharge of material into the receivers. The receivers should rotate at a constant speed until the discharge is completed.

6.2.5 Empty the contents of each receiver into its corresponding increment container.

6.2.6 Repeat Steps 6.2.1, 6.2.4 and 6.2.5 until the whole representative subsample has been split.

6.2.7 Repeat Steps 6.2.1 to 6.2.5 using any combination of representative subsamples until the required number of test subsamples of approximate mass, but less than that specified, has been obtained.

6.2.8 Cone and quarter a representative subsample as detailed in Test Method Q101A. Use this subsample as a stock subsample to increase the mass of the subsamples previously obtained at Step 6.2.7.

6.2.9 Use a flat-bottomed scoop to obtain a representative subsample from the stock subsample. Add the scooped material to a subsample obtained in Step 6.2.7 until the specified test

subsample mass is obtained. At no time is material be added to a test subsample by hand or by pouring from a container.

6.2.10 Repeat Step 6.2.9 until all the test subsamples have been brought to the specified mass.

Test Method Q101C: Fractionation

1 Source

This method was developed in-house using techniques evolved through internal departmental investigations.

2 Scope

Representative test subsamples of specified mass are obtained by fractionation. This procedure has particular application when preparing compaction subsamples and representative subsamples of the total material.

3 Apparatus

The following apparatus is required:

- 3.1 Sieves, 37.5 mm, 19.0 mm, 9.50 mm and 4.75 mm complying with ISO 3310, or mechanical apparatus with perforated plate or woven wire mesh of equivalent apertures.
- 3.2 Balances:
 - 3.2.1 Balance of suitable capacity, having a resolution of at least 1 g and with a limit of performance within the range of ± 5 g.
 - 3.2.2 Balance of suitable capacity, having a resolution of at least 0.1 g and with a limit of performance within the range of ± 0.5 g.
 - 3.2.3 Balance of suitable capacity, having a resolution of at least 0.01 g and with a limit of performance within the range of ± 0.05 g.

4 Procedure

The procedure shall be as follows:

- 4.1 Divide the material into predominately single size fractions by sieving. Recommended size fractions for compaction subsamples are contained in Table 1.
- 4.2 Determine the total mass of each individual fraction (M_f).
- 4.3 Calculate the total mass of all individual fractions to be combined as follows:

$$M_t = \sum M_f$$

where M_t = total mass of all individual fractions to be combined (g)

M_f = total mass of individual fraction (g)

- 4.4 Calculate the proportion of each fraction in the subsample as follows:

$$P_f = \frac{M_f}{M_t}$$

where P_f = proportion of individual fraction in the subsample

M_f = total mass of individual fraction (g)

M_t = total mass of all individual fractions to be combined (g)

- 4.5 Calculate the mass of each individual fraction to be used to produce a test subsample as follows (Notes 5.1 and 5.2):

$$M_i = M_s P_f$$

- where M_i = mass of individual fraction in the subsample (g)
 M_s = mass of test subsample (g)
 P_f = proportion of individual fraction in the subsample

- 4.6 Where necessary combine all individual fractions of the same size.
 4.7 Combine the individual subsample fraction masses to form the required test subsample(s) mass (Note 5.3).

5 Notes on method

- 5.1 When a test subsample has been specified in terms of dry mass, determine the moisture content (hygroscopic) for each individual fraction as detailed in Test Method AS 1289.2.1.1. This hygroscopic moisture content is used to calculate the required wet mass of each individual fraction in the test subsample. Calculate the wet mass of each of the individual fractions as follows:

$$M_i = M_s P_f \left(1 + \frac{w}{100} \right)$$

- where M_i = mass of individual fraction in the subsample (g)
 M_s = mass of test subsample (g)
 P_f = proportion of individual fraction in the subsample
 w = hygroscopic moisture content of the individual fraction (%)

- 5.2 Individual fractions should be retained in airtight containers to prevent contamination and moisture variation during storage. Where the individual fractions have been stored for longer than 48 hours, a moisture content determination should be carried out before calculating the fraction masses for a test subsample.
 5.3 The individual fraction masses may be obtained by using an appropriate procedure detailed in Test Method Q101B.

Table 1 – Fraction sizes for compaction subsamples

Size fractions (mm)	
Passing	Retained
37.5	19.0
19.0	9.50
9.50	4.75
4.75	-

Test Method Q101D: Break-up, cleaning and crushing

1 Source

This method was developed in-house using techniques evolved through internal departmental investigations.

2 Scope

This procedure allows for the breaking up of aggregations of fines and soil clods, and the removal of coatings of fines from aggregate particles.

3 Apparatus

For break-up and cleaning the following apparatus is required:

- 3.1 Laboratory jaw crusher.
- 3.2 Soil preparation machine (mulcher).
- 3.3 Soil preparation machine (shredder).
- 3.4 Motorised tumbler.
- 3.5 Mortar and rubber pestle.
- 3.6 Wire brush and scraping knife.
- 3.7 Mallet, made of steel, wood or rubber.
- 3.8 Sieves, complying with ISO 3310 of the following sizes:
 - 3.8.1 For screening materials, 37.5 mm, 19.0 mm, 6.70 mm, 4.75 mm, 2.36 mm and other sieve sizes as required.
 - 3.8.2 For screening crushed materials, 19.0 mm, 6.70 mm, 0.425 mm, 0.075 mm and other sieve sizes as required.

For crushing, the following additional apparatus is required:

- 3.9 Mini-jaw crusher.
- 3.10 Motorised mortar and pestle.
- 3.11 Mortar and pestle, steel or porcelain.
- 3.12 Vibratory disc mill or ring grinder.

4 Break-up and cleaning

4.1 Laboratory jaw crusher

Use this apparatus to break up soil clods (Note 6.1):

- 4.1.1 Inspect the feed box, jaws, discharge chute and sample receiver, and clean if necessary.
- 4.1.2 Set the moving jaw to the required gap. When breaking up soil clods it is sometimes necessary to reduce to the required gap by using a number of jaw settings.
- 4.1.3 Start the crusher and progressively feed the material.
- 4.1.4 Stop the crusher and screen the broken-up material over the appropriate sieve. Pass any oversize soil clods back through the crusher.

4.1.5 Repeat Steps 4.1.3 and 4.1.4 until all the soil clods have been broken up.

4.2 Soil preparation machine (mulcher)

Use this apparatus to break up soil clods containing gravel and aggregations of fines.

4.2.1 Inspect the receiver and clean if necessary.

4.2.2 Start the machine and progressively feed the material.

4.2.3 Take care not to break any discrete rock particles (Note 6.2). If any breakdown of the rock is evident, it may be necessary to break up the material using a method with less impact as detailed in Subsections 4.4, 4.5 or 4.6.

4.2.4 Repeat Steps 4.2.2 to 4.2.3 until all clods and aggregations are broken up.

4.3 Soil preparation machine (shredder)

Use this apparatus to break up soil clods and aggregations of fines (Note 6.3).

4.3.1 Inspect the hopper and receiver and clean if necessary.

4.3.2 Start the machine and progressively feed the material.

4.3.3 Using the lever, press the material against the mesh plate to shred the material.

4.3.4 Repeat Steps 4.3.2 to 4.3.3 until all clods and aggregations are broken up.

4.4 Motorised tumbler

Use this apparatus to break up soil clods and aggregations of fines and to remove coatings of fines from particles.

4.4.1 Inspect the bowl or drum and the charge of steel balls or rods and clean if necessary.

4.5 Place the material in the bowl or drum with a small charge if required. The size of the charge will depend on the capacity of the apparatus and the volume and type of material. Keep the size of the charge as small as possible to prevent break-up of discrete rock particles. It is sometimes unnecessary to use a charge when there is a significant proportion of rock in the material.

4.5.1 Secure the dust cover or lid in place and start the tumbler.

4.5.2 Take care not to break any discrete rock particles (Note 6.2). If any breakdown of the rock is evident, reduce the size of the charge until such time that no breakdown occurs.

4.5.3 Check the material at frequent intervals and sieve when necessary to prevent an accumulation of fines (Note 6.4).

4.5.4 Repeat Steps 4.4.2 to 4.4.5 until all clods and aggregations are broken up and coatings removed.

4.6 Mortar and rubber pestle

Use the mortar and rubber pestle to break up soil clods and aggregations of fines and to remove coatings of fines from particles. Use the rubber pestle whenever there is any possibility of breaking down low strength discrete particles.

4.6.1 Place sufficient material in the mortar to cover its base.

4.6.2 Grind the sample with the pestle returning any ejected material to the mortar.

4.6.3 Take care not to break any discrete rock particles (Note 6.2). If any breakdown of the rock is evident, reduce the pressure exerted on the pestle. Where there is only a minor proportion of

these particles, it may be expedient to remove them. Return the particles to the sample at the completion of grinding.

4.7 Wire brush and scraping knife

Use a wire brush and scraping knife to remove coatings of fines from particles (Note 6.2).

4.8 Mallet

Use a mallet to break up soil clods and aggregations of fines (Notes 6.1 and 6.2).

5 Crushing

5.1 Laboratory jaw crusher or mini-jaw crusher

5.1.1 Inspect the feed box, jaws, discharge chute and sample receiver, clean if necessary.

5.1.2 Set the moving jaw to the required gap (Note 6.5).

5.1.3 Start the crusher and feed the material at a uniform rate keeping the hopper almost full.

5.1.4 Stop the crusher, collect the crushed material and screen over the appropriate sieve(s).

5.1.5 Adjust the gap between the jaws if necessary and pass the oversize material through the crusher.

5.1.6 Repeat Steps 5.1.2 to 5.1.5 to crush all the material to the required size(s).

5.2 Motorised mortar and pestle

Use the motorised mortar and pestle to crush rock fragments.

5.2.1 Inspect the equipment and clean if necessary.

5.2.2 Start the motorised mortar and pestle and feed rock fragments into the mortar.

5.2.3 Check the material at frequent intervals and sieve when necessary to prevent an accumulation of fines (Note 6.5).

5.2.4 Repeat Steps 5.2.2 and 5.2.3 to crush all the material to the required size(s).

5.3 Mortar and pestle

Use a steel mortar and pestle to crush small rock samples with a maximum particle size of approximately 37.5 mm. Use the porcelain mortar and pestle to pulverize samples with a maximum particle size of approximately 2.36 mm.

5.3.1 Inspect the mortar and pestle and clean if necessary.

5.3.2 Place sufficient material in the mortar to cover its base. Crush the material returning any ejected material to the mortar.

5.3.3 Sieve the sample frequently during the crushing process to prevent an accumulation of fines (Note 6.5).

5.3.4 Repeat Steps 5.3.2 and 5.3.3 to crush all the material to the required size(s).

5.4 Vibratory disc mill or ring grinder

Use a vibratory disc mill or ring grinder to crush small rock samples with a maximum particle size of approximately 6.70 mm. They can produce material finer than 0.075 mm.

5.4.1 Inspect the bowl and rings, clean if necessary.

5.4.2 Set the mill/grinder to run for an appropriate time (usually 15 seconds is sufficient).

- 5.4.3 Place the rings into the bowl and add material to quarter-half fill the bowl.
- 5.4.4 When the mill/grinder stops, collect the crushed material and screen over the appropriate sieve(s).
- 5.4.5 Return any oversize material to the mill/grinder (Note 6.6).
- 5.4.6 Repeat Steps 5.4.3 to 5.4.5 to crush all the material to the required size(s).

6 Notes on method

- 6.1 This equipment is only suitable for soil clods which are substantially dry and have no appreciable quantity of discrete rock particles which could be crushed and thereby prejudice test results.
- 6.2 Where difficulty exists ascertaining whether particles are discrete or in fact aggregations of fines, place a small number of them in water and boil. If disaggregation occurs, consider such particles as aggregations of fines.
- 6.3 This equipment is only suitable for soil clods that are dry to moist and have no appreciable quantity of discrete rock particles.
- 6.4 The production of an excessive quantity of fines will reduce the effectiveness of the process due to their cushioning effect.
- 6.5 When crushing rock, the general rule is to set the moving jaw gap to half the maximum particle size of the rock to be crushed.
- 6.6 If a small quantity of oversize material remains after grinding and screening, complete the crushing using the mortar and pestle.

Test Method Q101E: Pre-treatment

1 Source

This test method applies the principles of Roads and Maritime Services Test Methods T102: Pre-treatment of road construction materials by compaction and T103: Pre-treatment of road construction materials by artificial weathering. This method includes variations for the treatment of Western Queensland materials such as Winton Sandstone (Note 10.1).

2 Scope

This test method sets out the procedure for pre-treating road construction materials by subjecting the material to repeated artificial weathering by cyclic wetting and drying and/or compaction.

The method is appropriate for soft or brittle materials used in earthworks or pavement construction, which are liable to breakdown during winning, compaction and trafficking (for example shales, siltstones, highly weathered materials, weakly cemented materials soft laminated rock, jointed rock or Winton sandstone).

This method simulates the material breakdown which will occur under construction processes. It would apply to samples taken from prospective or working pits or from material delivered to the roadside, but would not apply to material from the finished earthworks or pavement.

3 Apparatus

Where appropriate, the working tolerances of particular apparatus are contained in Table 1.

3.1 For preliminary preparation the following apparatus is required:

3.1.1 Drying oven of suitable capacity, having a temperature of 45-50°C and complying with AS 1289.0.

3.1.2 Sieve, 53.0 mm and 37.5 mm complying with ISO 3310.

3.2 For pre-treatment by artificial weathering the following apparatus is required:

3.2.1 Heating device such as an electric hotplate, frypan or gas stove.

3.2.2 Drying oven of suitable capacity, having a temperature of 45 - 50°C and complying with AS 1289.0.

3.2.3 Suitable dishes for soaking and drying on a hotplate or in an oven.

3.2.4 Spatula or other suitable stirring device.

3.2.5 Suitable equipment for decanting water from the dishes and collecting the water.

3.2.6 Wire gauze/mesh.

3.2.7 Oven gloves.

3.3 For pre-treatment by compaction the following apparatus is required:

3.3.1 Compaction mould, a cylindrical metal mould having an internal diameter of 150 mm and a minimum internal height of 175 mm, fitted with a detachable baseplate which can be firmly attached to the mould. A split mould may be used.

3.3.2 Rammer, a metal rammer having a 50 mm diameter face, a drop mass of 2700 g and a drop height of 300 mm. Alternatively use a mechanical compactor, provided it meets the essential requirements of drop height, mass and energy input. A mechanical compactor may be used

provided the essential dimensions are adhered to and the rammer has a free vertical fall of the correct height with blows being uniformly distributed and in keeping with any prescribed cycle of blows. The design of the compactor allows attachment of the mould to a level and rigid support base. The difference between maximum dry density determinations using manual or mechanical compaction is less than 2%.

- 3.3.3 Level rigid foundation on which to compact the specimen, for example, a sound concrete floor about 100 mm or more in thickness or a concrete block of at least 100 kg mass.
- 3.3.4 Sample extractor, such as a jack, lever frame or other device for extruding compacted specimens from the mould when a split mould is not used.
- 3.3.5 Suitable mixing apparatus, such as a tray, trowel or scoop, mixing machine and water spray suitable for mixing increments of water into the material.
- 3.3.6 Sealable containers, suitable for storing moist samples.

4 Material

The following materials are required:

- 4.1 Mould oil, a light oil such as Caltex Mould Oil 20 (Note 10.2).

5 Application

Where the requirements for pre-treatment is not specified in the appropriate specification, sampling plan or test method, the following shall apply:

- 5.1 Perform pre-treatment by artificial weathering using 10 soaking and drying cycles followed by pre-treatment by compaction using 3 compaction cycles (Note 10.3).
- 5.2 For Winton sandstone (Note 10.1) perform pre-treatment by compaction only using 1 compaction cycle.

6 Preparation

The preparation procedure shall be as follows:

- 6.1 Prepare the sample as detailed in Preliminary Preparation Section 5 of Test Method Q101 to obtain the required number of representative test subsamples.
- 6.2 Sieve each test subsample on a 53.0 mm sieve, crushing or breaking any oversize retained to just pass the 53.0 mm sieve.
- 6.3 Record the percentage by mass of the material retained on the 53.0 mm sieve.

7 Pre-treatment by artificial weathering

The pre-treatment by artificial weathering procedure shall be as follows:

- 7.1 Place the test subsample in the dishes spreading the material evenly over the area of each dish
- 7.2 Add sufficient water to cover each test subsample.
- 7.3 Allow the test subsamples to stand for at least 16 hours.
- 7.4 After soaking, decant the clear water off the test subsample, taking care not to lose fines during the decanting process. Retain the decanted water for re-use in the subsequent soaking of the test subsample. Avoid the loss of fines that may affect the results in subsequent testing.

- 7.5 Dry the material to a moist, free flowing as follows:
 - 7.5.1 For materials containing gypsum or significant amounts of organic matter, place the dish and test subsample in an oven at a temperature not exceeding 80°C.
 - 7.5.2 For other materials, cover the dish with gauge/mesh and dry the test subsample using a hotplate, stirring frequently to facilitate drying and to prevent overheating of material. Take care not to bake the material after drying is complete.
- 7.6 The material is deemed to be dry when a clean and dry spatula is inserted and removed from the test subsample and there are no adhering fines or only a fine layer of dust. If material other than dust adheres to the spatula, then continue drying.
- 7.7 Repeat Steps 7.1 to 7.6 until the required soaking and drying cycles have been completed.
- 7.8 Air or oven dry a test subsample which requires drying prior to further preparation or testing. Use a temperature of 45 - 50°C for oven drying unless otherwise specified in the appropriate test method.

8 Pre-treatment by compaction

The pre-treatment by compaction procedure shall be as follows:

- 8.1 Thoroughly mix the test subsample, adding water so that the material is between optimum moisture content and 3% dry of optimum moisture content.
- 8.2 Place the test subsample in sealable containers and allow to cure for at least 24 hours.
- 8.3 Remove the material from the container and moisten to approximately optimum moisture content, thoroughly mixing the soil and water (Note 10.4).
- 8.4 Compact the material in a lightly oiled mould in approximately three equal layers, 60 mm high when loose, with 75 blows per layer of the standard compaction rammer (Note 10.5).
- 8.5 Remove the compacted material from the mould, crumble the material to break up aggregations and place in a separate container.
- 8.6 Repeat Steps 8.3 to 8.5 until all material in each test subsample has been treated to a complete compaction cycle. Where there is insufficient material remaining to fill the mould, compact the remaining material in 1 or 2 approximately equal layers with a loose thickness of 50 to 80 mm per layer.
- 8.7 Repeat Steps 8.3 to 8.6 until each test subsample has been treated to the required number of compaction cycles.
- 8.8 Air or oven dry a test subsample which requires drying prior to further preparation or testing. Use a temperature of 45 - 50°C for oven drying unless otherwise specified in the appropriate test method.

9 Reporting

The following shall be reported:

- 9.1 Specific pre-treatment procedure(s) used (for example, compaction and/or artificial weathering).
- 9.2 The number of compaction cycles and/or artificial weathering cycles used.

10 Notes on method

- 10.1 Techniques in this method for Winton sandstone were developed in-house using techniques evolved through internal departmental investigations (Main Roads Barcaldine District, "Pre-Treatment of Decomposed Sandstone" D07-01-1987 and Vanderstaay A.G.B., "Material Sources in Western Queensland", Western Queensland Best Practice Guidelines – WQ33, May 2000).
- 10.2 Before handling oil, the operator should consult the relevant SDS.
- 10.3 The typical pre-treatment using 3 cycles of compaction and 10 cycles of artificial weathering is contained in the Transport and Main Roads Technical Specification, MRTS04 *General Earthworks* – Appendix B, April 2017 and the Transport and Main Roads, *Pavement Design Supplement*, Section 5.6.
- 10.4 It is important that the water is thoroughly mixed into and uniformly distributed throughout the material since inadequate mixing gives rise to variable test results. It is desirable to keep the mixed material in a sealed container to allow the water to become more uniformly distributed before compaction.
- 10.5 During compaction, material can build up on the surface of the rammer. This is particularly evident at moisture contents near to and above optimum moisture content. In order to prevent the cushioning effect caused by this build-up, inspect the rammer face and clean if necessary during the compaction process.

Table 1 – Dimensions and tolerances for suitable moulds and rammer

Apparatus	Dimension	Tolerance
Rammer		
Diameter; round foot (mm)	50	± 0.4
Area of rammer (mm ²)	1964	± 31
Drop (mm)	300	± 2.0 ‡
Mass (kg)	2.7	± 0.01 ‡
Energy delivered per blow (J)	7.94	± 0.08
Number of layers	3	
Number of blows/layer	60	
Energy input (kJ/m ³)	596	± 14

‡ Either but not both of the tolerances may be exceeded provided that the specified tolerance on energy delivered per blow is not exceeded.

Test Method Q101F: Crushing

1 Source

This method was developed in-house using techniques evolved through internal departmental research investigations.

2 Scope

This method describes procedures for crushing samples of soil, rock, aggregates or concrete in preparation for various laboratory chemical test methods. It involves the progressive crushing, drying and dividing of a sample to a final crush finer than a nominated sieve.

3 Apparatus

The following apparatus is required:

- 3.1 Laboratory jaw crusher.
- 3.2 Laboratory mini-jaw crusher.
- 3.3 Vibratory disc mill or ring grinder. Do not use mechanical mills or grinders that generate temperatures in the material in excess of 50°C while operating as they may break down the crystalline structure of the clay minerals.
- 3.4 Sieves, 19.0 mm, 6.70 mm, 0.425 mm, 0.150 mm and 0.075 mm complying with ISO 3310.
- 3.5 Sieve brushes.
- 3.6 Drying oven of suitable capacity, having a temperature of 105 - 110°C and complying with AS 1289.0 (if required).
- 3.7 Drying oven of suitable capacity, having a temperature of 45 - 50°C and complying with AS 1289.0.
- 3.8 Sample divider.
- 3.9 Container, of suitable size for drying subsamples.
- 3.10 Suitable container for storing crushed test portion.
- 3.11 Magnet.

4 Procedure

The procedure shall be as follows:

4.1 Coarse crushing

- 4.1.1 If the sample contains no material larger than 6.70 mm, omit the coarse crushing and commence preparation from Step 4.1.3.
- 4.1.2 Crush a representative sample of the material to pass the 19.0 mm sieve using the jaw crusher as follows:
 - a) Inspect the feed box, jaws, discharge chute and sample receiver and, clean if necessary.
 - b) Set the moving jaw to the required gap (Note 5.1).
 - c) Start the crusher and feed the material at a uniform rate to keep the hopper almost full.
 - d) Stop the crusher, collect the crushed material and screen over the 19.0 mm sieve.

- e) Adjust the gap between the jaws if necessary and pass the oversize material back through the crusher.
 - f) Repeat Steps b) to e) until all the material has been crushed to the required size.
- 4.1.3 Air or oven dry the subsamples that require drying prior to testing. Use the 45 - 50°C oven unless otherwise specified in the appropriate test method. Allow the sample to cool to room temperature.
- 4.1.4 Mix and reduce the sample for medium crushing to a minimum sample size of 2000 g using a sample divider.

4.2 Medium crushing

- 4.2.1 If the sample contains no material larger than 4.75 mm, omit the medium crushing and commence preparation from Step 4.2.3.
- 4.2.2 Crush a representative sample of the material to pass the 6.70 mm sieve using the mini-jaw crusher as follows:
- a) Inspect the feed box, jaws, discharge chute and, sample receiver and clean if necessary.
 - b) Set the moving jaw to the required gap (Note 5.1).
 - c) Start the crusher and feed the material at a uniform rate to keep the hopper almost full.
 - d) Stop the crusher, collect the crushed material and screen over the 6.70 mm sieve.
 - e) Adjust the gap between the jaws if necessary and pass the oversize material back through the crusher.
 - f) Repeat Steps b) to e) until all the material has been crushed to the required size.
- 4.2.3 Air or oven dry the subsamples that require drying prior to testing. Use the 45-50°C oven unless otherwise specified in the appropriate test method. Allow the sample to cool to room temperature.
- 4.2.4 Mix and reduce the sample for fine crushing to a minimum sample size of 750 g using a sample divider.
- 4.2.5 Remove any iron filings produced during the crushing process by passing a magnet over the sample (Note 5.2).

4.3 Fine crushing

- 4.3.1 Select the appropriate fine screening sieve from Table 1 or as otherwise specified in the relevant test method.
- 4.3.2 Crush the reduced sample to pass the fine screening sieve using a vibratory disc mill or ring grinder as follows:
- a) Inspect the bowl and crushing rings and clean if necessary.
 - b) Set the crushing time (usually 15 seconds is sufficient).
 - c) Push the crushing rings to one side of the bowl and place no more than 100 g of material in gap between the bowl and the crushing rings.
 - d) Start the mill or grinder, and allow it to run for the programmed time.
 - e) Collect the crushed material and screen over the fine screening sieve.
 - f) Repeat Steps c) to e) until all the material passes the fine screening sieve.

- 4.3.3 Remove any iron filings produced during the crushing process by passing a magnet over the sample (Note 5.2).
- 4.3.4 Air or oven dry the subsamples that require drying prior to testing. Use the 45-50°C oven unless otherwise specified in the appropriate test method. Allow the sample to cool to room temperature.
- 4.3.5 Store the sample in a sealed container.

5 Notes on method

- 5.1 When crushing rock the general rule is to set the moving jaw gap to half the maximum particle size of the rock being crushed.
- 5.2 Omit this step where crushing apparatus with zirconium oxide faces is used.

Table 1 – Fine screen size

Test method	Sieve size (mm)
Q129	0.075
Q130A	0.425
Q456, Q457A, Q457B	0.150

Test Method Q103A: Particle size distribution of soil - wet sieving

1 Source

This method applies the principles of AS 1289.3.6.1: Determination of the particle size distribution of a soil – Standard method of analysis by sieving. It differs from this Australian Standard in that only oven dry material is sieved, the passing 2.36 mm portion is washed and differences also occur in reporting requirements and cross-referenced test methods.

2 Scope

This method describes the procedure for determining the particle size distribution of soil or crushed rock material, down to the 0.075 mm sieve. The method uses a dry sieving technique in association with washing the passing 2.36 mm material prior to dry sieving.

The method also includes the calculation of properties such as fines ratio (FR), coefficient of uniformity (C_u), coefficient of curvature (C_c) and grading coefficient (G_c) (Note 9.1).

3 Apparatus

The following apparatus is required:

- 3.1 Balance of suitable capacity, having a resolution and a limit of performance as detailed in Table 1 (Note 9.1).
- 3.2 Sieves complying with ISO 3310 as follows:
 - 3.2.1 Dry sieving; commonly used sieves include 75.0 mm, 53.0 mm, 37.5 mm, 26.5 mm, 19.0 mm, 9.50 mm, 4.75 mm, 2.36 mm, 0.425 mm and 0.075 mm sieves. Other sieve sizes such as 63.0 mm, 6.70 mm, 2.00 mm, 1.18 mm, 0.600 mm, 0.300 mm, 0.212 mm and 0.150 mm may be included to furnish the information required on the material to be tested.
 - 3.2.2 Wet sieving; reinforced 0.075 mm sieve (Note 9.3).
- 3.3 Mechanical sieve shaker (optional).
- 3.4 Sieve brushes and a wire or other stiff bristle brush.
- 3.5 Rubber pestle and steel or ceramic mortar.
- 3.6 Drying oven of suitable capacity, having a temperature of 105 - 110°C and complying with AS 1289.0.
- 3.7 Containers, of suitable size for drying and washing the material.

4 Materials

The following materials are required:

- 4.1 Dispersing agent
 - Prepare by dissolving 33 g of sodium hexametaphosphate (LR Grade) and 7 g of anhydrous sodium carbonate (LR Grade) or 18.9 g of sodium carbonate decahydrate (LR Grade) in one litre of water (Note 9.4).
- 4.2 This solution is unstable and is to be freshly prepared approximately once a month with the preparation and expiry dates recorded on the container.

5 Preparation

The sample shall be prepared as follows:

- 5.1 Determine the maximum particle size of the material by assessing the sieve through which all of the material will just pass. Prepare the sample as detailed in Section 5 of Test Method Q101 to obtain a test portion that, when dry, will comply with the minimum mass requirements of Table 1.
- 5.2 Determine the mass of the container (m_1).
- 5.3 Place the test portion in the container and dry in the oven to a constant mass (m_2).

6 Procedure

The sample shall be sieved as follows:

6.1 Load on sieves

Overloading of sieves may affect the accuracy of results and damage the sieves. The maximum loads on sieves at completion of sieving are set out in Table 2. To prevent overloading:

- use sieves with a larger diameter, or
- use additional sieves, or
- divide the mass retained on the sieve into two or more portions of a mass less than the recommended loading in Table 2 and pass the separate portions through the sieve.

6.2 Methods of sieve shaking

- 6.2.1 Sieving may be performed by hand or with a mechanical shaker. Material retained on 19 mm or larger sieves may be manipulated by hand.
- 6.2.2 When sieving is conducted by hand, a lateral and vertical motion is employed accompanied by a slight jarring action to keep the sample moving continuously over the sieve. Particles 19.0 mm or larger may be placed by hand to pass the sieves.
- 6.2.3 When sieving is conducted using a mechanical sieve shaker, sieving is carried out for such time as will give a comparable result to hand sieving, which is generally 12 - 15 minutes.
- 6.2.4 At the end of sieving, hand sieve each portion retained until the mass passing each sieve in one minute is less than 1% of the mass of material retained on that sieve.

6.3 Coarse sieving (particles larger than 19.0 mm)

- 6.3.1 Sieve the test portion through sieves in order of decreasing aperture size down to and including 19.0 mm, using as the largest sieve a size through which all the material just passes and ensuring no sieve is overloaded.
- 6.3.2 Clean the rock particles retained initially on the largest sieve in this coarse sieve series, using the stiff bristle brush to remove coatings of fines and also break up soil clods and aggregations of fines using the pestle and mortar (Note 9.5). Ensure that the resulting fines are passed through the sieve.
- 6.3.3 Sieve the cleaned rock particles by either hand or mechanical shaker.
- 6.3.4 Determine the mass of the particles retained on the sieve (m_c).

6.3.5 Repeat Steps 6.3.2 to 6.3.4 for each sieve in the coarse series, in order of decreasing size down to and including the 19.0 mm and determine the mass retained on each sieve (m_c).

6.4 Intermediate Sieving (particles between 19.0 mm and 2.36 mm)

6.4.1 Where the test portion has already been coarse sieved as detailed in Steps 6.3.1 to 6.1.5, subsample the material passing 19.0 mm, observing the minimum mass requirements of Table 1. Place the test portion subsample into a suitable container of known mass (m_3).

Determine the mass of the test portion and container (m_4).

6.4.2 Sieve the test portion through the nominated sieves in order of decreasing aperture size down to and including 2.36 mm ensuring no sieve is overloaded (Note 9.7).

6.4.3 Clean the rock particles retained on the largest sieve in this intermediate sieve series, using the rubber pestle and mortar to remove coatings of fines and break up soil clods and aggregations of fines (Note 9.5). Ensure the resulting fines collected in the mortar are passed over the sieve.

6.4.4 Sieve the cleaned rock particles by either hand or mechanical shaker.

6.4.5 Determine the mass of the particles retained on the sieve (m_i).

6.4.6 Repeat Steps 6.4.3 to 6.4.5 for each sieve in the intermediate series, in order of decreasing size down to and including the 2.36 mm and determine the mass retained on each sieve (m_i).

6.5 Fine Sieving (particles smaller than 2.36 mm)

6.5.1 Where the test portion has already been intermediate sieved as detailed in Steps 6.4.1 to 6.4.6, subsample the material passing 2.36 mm, observing the minimum mass requirements of Table 1. Place the test portion subsample into a suitable container of known mass (m_5).

Determine the mass of the test portion and container (m_6).

6.5.2 Fill the container with dispersing solution until the test portion is covered. Stir to wet the material and allow it to soak for at least two hours (Note 9.6).

6.5.3 After soaking, agitate the contents of the container and pour the suspension into the 0.075 mm reinforced sieve, taking care to prevent overflowing and loss of fines.

6.5.4 Wash the material retained on the 0.075 mm sieve until the wash water becomes clear. Allow the passing 0.075 mm material to run to waste.

6.5.5 Add fresh water to the container as required and repeat Steps 6.5.3 and 6.5.4 until the material in the container and that retained on the 0.075 mm is clean.

6.5.6 Return all the washed retained 0.075 mm material to the container and decant excess water.

6.5.7 Place the container in the oven and dry until the material has reached constant mass (Note 9.6).

6.5.8 Sieve the washed test portion through the nominated sieves in order of decreasing aperture size down to and including the 0.075 mm by either hand or mechanical shaker. Take care not to apply pressure to the surface of the sieve. Brushes with stiff or worn-down bristles is not be used.

6.5.9 Determine the mass of the particles retained on each sieve in the fine series (m_f).

7 Calculations

Calculations shall be as follows:

7.1 Coarse Sieving

7.1.1 Calculate the cumulative mass retained on each coarse sieve as follows:

$$M_c = \sum m_c$$

where M_c = cumulative mass retained on a particular coarse sieve (g)
 m_c = individual mass retained on each coarse sieve with aperture size larger than or equal to the particular sieve (g)

7.1.2 Calculate the cumulative percent retained on each coarse sieve as follows:

$$P_r = \frac{100M_c}{m_2 - m_1}$$

where P_r = cumulative percent retained on a particular sieve
 M_c = cumulative mass retained on the particular sieve (g)
 m_1 = mass of container (g)
 m_2 = mass of container and test portion (g)

7.1.3 Calculate the percent passing each sieve as follows:

$$P_p = 100 - P_r$$

where P_p = percent passing a particular sieve
 P_r = cumulative percent retained on the particular sieve

7.2 Intermediate sieving

7.2.1 Calculate the cumulative mass retained on each intermediate sieve as follows:

$$M_i = \sum m_i$$

where M_i = cumulative mass retained on a particular intermediate sieve (g)
 m_i = individual mass retained on each intermediate sieve with aperture size larger than or equal to the particular sieve (g)

7.2.2 Where the test portion has been previously coarse sieved and the passing 19.0 mm material subsampled, calculate the cumulative percent retained on each intermediate sieve as follows:

$$P_r = \frac{M_i P_{19}}{m_4 - m_3}$$

where P_r = cumulative percent retained on a particular sieve

- M_i = cumulative mass retained on the particular sieve (g)
- m_3 = mass of container (g)
- m_4 = mass of container and test portion subsample (g)
- P_{19} = percent passing the 19.0 mm sieve

7.2.3 Where the test portion has not been coarse sieved or the passing 19.0 mm material has not been subsampled, calculate the cumulative percent retained on each intermediate sieve as follows:

$$P_r = \frac{100M_i}{m_2 - m_1}$$

- where P_r = cumulative percent retained on a particular sieve
- M_i = cumulative mass retained on the particular sieve (g) (Note 9.7)
- m_1 = mass of container (g)
- m_2 = mass of container and test portion (g)

7.2.4 Where the test portion has been previously coarse sieved and the passing 19.0 mm material subsampled, calculate the percent passing each sieve as follows:

$$P_p = P_{19} - P_r$$

- where P_p = percent passing a particular sieve
- P_r = cumulative percent retained on the particular sieve (g)
- P_{19} = percent passing the 19.0 mm sieve

7.2.5 Where the test portion has not been coarse sieved or the passing 19.0 mm material has not been subsampled, calculate the percent passing each sieve as follows:

$$P_p = 100 - P_r$$

- where P_p = percent passing a particular sieve
- P_r = cumulative percent retained on the particular sieve (g)

7.3 Fine sieving

7.3.1 Calculate the cumulative mass retained on each fine sieve as follows:

$$M_f = \sum m_f$$

- where M_f = cumulative mass retained on a particular fine sieve (g)
- m_f = cumulative mass retained on each fine sieve with aperture size larger than or equal to the particular sieve (g)

7.3.2 Where the test portion has been previously intermediate sieved and the passing 2.36 mm material subsampled, calculate the cumulative percent retained on each fine sieve as follows:

$$P_r = \frac{M_f P_{2.36}}{m_6 - m_5}$$

- where P_r = cumulative percent retained on a particular sieve
 M_f = cumulative mass retained on the particular sieve (g)
 m_5 = mass of tray (g)
 m_6 = mass of tray and test portion subsample (g)
 $P_{2.36}$ = percent passing the 2.36 mm sieve

7.3.3 Where the test portion has not been intermediate sieved or the passing 2.36 mm material has not been subsampled, calculate the cumulative percent retained on each fine sieve as follows:

$$P_r = \frac{100M_f}{m_2 - m_1}$$

- where P_r = cumulative percent retained on a particular sieve
 M_f = cumulative mass retained on the particular sieve (g) (Note 9.8)
 m_1 = mass of container (g)
 m_2 = mass of container and test portion (g)

7.3.4 Where the test portion has been previously intermediate sieved and the passing 2.36 mm material subsampled, calculate the percent passing each sieve as follows:

$$P_p = P_{2.36} - P_r$$

- where P_p = percent passing a particular sieve
 P_r = cumulative percent retained on the particular sieve (g)
 $P_{2.36}$ = percent passing the 2.36 mm sieve

7.3.5 Where the test portion has not been intermediate sieved or the passing 2.36 mm material has not been subsampled, calculate the percent passing each sieve as follows:

$$P_p = 100 - P_r$$

- where P_p = percent passing a particular sieve
 P_r = cumulative percent retained on the particular sieve (g)

7.4 Other properties

7.4.1 If required, calculate the fines ratio as follows:

$$FR = \frac{P_{0.075}}{P_{0.425}}$$

where FR = fines ratio
 $P_{0.075}$ = percent passing the 0.075 mm sieve
 $P_{0.425}$ = percent passing the 0.425 mm sieve

7.4.2 If the coefficient of uniformity or the coefficient of curvature are required, calculate the following particle size values:

a) Calculate the particle size where 60% of particles are smaller as follows:

$$D_{60} = 10^{\left(\log D_2 + \frac{(60 - P_2)(\log D_1 - \log D_2)}{P_1 - P_2} \right)}$$

where D_{60} = particle size where 60% of particles are smaller (mm)
 log = logarithm to base 10
 D_2 = largest sieve with less than 60% passing (mm)
 P_2 = percent passing D_2
 D_1 = smallest sieve with more than 60% passing (mm)
 P_1 = percent passing D_1

b) Calculate the particle size where 10% of particles are smaller as follows:

$$D_{10} = 10^{\left(\log D_2 + \frac{(10 - P_2)(\log D_1 - \log D_2)}{P_1 - P_2} \right)}$$

where D_{10} = particle size where 10% of particles are smaller (mm)
 log = logarithm to base 10
 D_2 = largest sieve with less than 10% passing (mm)
 P_2 = percent passing D_2
 D_1 = smallest sieve with more than 10% passing (mm)
 P_1 = percent passing D_1

c) Calculate the particle size where 30% of particles are smaller as follows:

$$D_{30} = 10^{\left(\log D_2 + \frac{(30 - P_2)(\log D_1 - \log D_2)}{P_1 - P_2} \right)}$$

- where D_{30} = particle size where 30% of particles are smaller (mm)
- \log = logarithm to base 10
- D_2 = largest sieve with less than 30% passing (mm)
- P_2 = percent passing D_2
- D_1 = smallest sieve with more than 30% passing (mm)
- P_1 = percent passing D_1

7.4.3 If required, calculate the coefficient of uniformity as follows:

$$C_u = \frac{D_{60}}{D_{10}}$$

- where C_u = coefficient of uniformity
- D_{60} = particle size where 60% of particles are smaller
- D_{10} = particle size where 10% of particles are smaller

7.4.4 If required, calculate the coefficient of curvature as follows:

$$C_c = \frac{D_{30}^2}{D_{10} D_{60}}$$

- where C_c = coefficient of curvature
- D_{30} = particle size where 30% of particles are smaller
- D_{10} = particle size where 10% of particles are smaller
- D_{60} = particle size where 60% of particles are smaller

7.4.5 If required, calculate the grading coefficient as follows:

$$G_c = \frac{(P_{26.5} - P_{2.00}) P_{4.75}}{100}$$

- where G_c = grading coefficient (Note 9.1)
- $P_{26.5}$ = percent passing the 26.5 mm sieve
- $P_{2.00}$ = percent passing the 2.00 mm sieve

$P_{4.75}$ = percent passing the 4.75 mm sieve

8 Reporting

The following shall be reported:

- 8.1 Percent passing each sieve to the nearest 1% for results 10% or greater, and to the nearest 0.1% for results less than 10%.
- 8.2 If required, a semi-logarithmic graph of the sieve size versus the percent passing each sieve.
- 8.3 Fines ratio to the nearest 0.01 units (if required).
- 8.4 Coefficient of uniformity to the nearest 0.1 for results 1 or greater and to the nearest 0.01 for results less than 1 (if required).
- 8.5 Coefficient of curvature to the nearest 0.1 for results 1 or greater and to the nearest 0.01 for results less than 1 (if required).
- 8.6 Grading coefficient to the nearest 0.1 units (if required).

9 Notes on method

- 9.1 The grading coefficient is defined in the *Unsealed Roads Manual*, Australian Road Research Board, 3rd Edition, March 2009, Table 3.7.
- 9.2 The balance used in the procedure is dependent on the maximum particle size of the test portion or test portion subsample.
- 9.3 Because of the ease with which a 0.075 mm sieve can be damaged, the use of a special washing sieve, in which the sieve cloth is reinforced underneath with a coarser sieve or punched plate screen, is recommended.
- 9.4 Before handling sodium hexametaphosphate, anhydrous sodium carbonate or sodium carbonate decahydrate, the operator should consult the relevant SDS.
- 9.5 Where difficulty exists ascertaining whether particles are discrete or in fact aggregations of fines, obtain some similar particles from the remaining bulk sample. Place these particles in water and bring the water to the boil. If disaggregation occurs, such particles are considered to be an aggregation of fines and those in the test portion should be treated accordingly.
- 9.6 Clean granular materials may be washed without the addition of a dispersing agent while cohesive clays may need to be soaked in dispersing solution for several hours.
- 9.7 Where subsampling of the test portion is omitted following the coarse sieving stage, add the total cumulative mass retained from the coarse sieving stage to each value of M_i .
- 9.8 Where subsampling of the test portion is omitted following both the coarse sieving stage and intermediate sieving stage, add the total cumulative mass retained from the coarse sieving stage and the intermediate sieving stage to each value of M_f .

Table 1 - Test portion and balance requirements

Maximum particle size (mm)	Minimum test portion mass (g)	Balance resolution (g)	Balance limit of performance range (g)
100	70000	10	± 50
75.0	40000	10	± 50
53.0	25000	10	± 50
37.5	15000	10	± 50
26.5	5000	1	± 5
19.0	2000	1	± 5
9.50	500	0.1	± 0.5
4.75	200	0.1	± 0.5
2.36	100	0.1	± 0.5
0.425	50	0.01	± 0.05

Table 2 - Recommended maximum sieve loadings

Aperture size (mm)	200 mm diameter (g)	300 mm diameter (g)	450 mm diameter (g)
100	-	3750	7500
75.0	-	3000	6000
37.5	1000	2200	5000
26.5	800	1800	4000
19.0	600	1200	3000
13.2	400	900	4000
9.5	250	600	1500
6.70	225	500	1250
4.75	200	400	1000
2.36	150	300	600
1.18	100	200	400
0.600	75	150	-
0.425	60	120	-
0.300	50	100	-
0.150	40	80	-
0.075	25	50	-

Test Method Q103F: Particle size distribution of soil – laser diffraction

1 Source

This method was developed in-house using techniques developed through internal departmental investigations. The principles of this technique are detailed in AS 4863.1 - Particle size analysis - Laser diffraction methods.

2 Scope

This method sets out a procedure for the quantitative determination of the particle size distribution of a soil sample, using test sieves for particles 0.075 mm and larger and a laser diffraction instrument for particles finer than 0.075 mm.

A sample of material is pumped into the laser diffraction instrument where a laser beam is directed at the particles and scattered at angles relative to the size of the particles. The instrument software uses a mathematical model to convert the detected angles of scatter into a particle size volume distribution. This particle size volume distribution up to 0.075 mm is combined with the sieve analysis of larger particles to produce a percent passing distribution that is characteristic of the entire sample.

3 Definitions

Volume under percentage is the total volume of all particles with a diameter less than that of a particular size category, expressed as a percentage of the total volume of all particles in a sample. The equivalent of the "percent passing" result calculated when using the hydrometer method for particle size distribution analysis.

4 Apparatus

The following apparatus is required:

- 4.1 Laser diffraction instrument with a liquid dispersion unit, measuring range including 0.001 mm to 0.075 mm and the capability of measuring and reporting a volume distribution of predetermined particle sizes.
- 4.2 Sample splitting device capable of splitting a 500 mL sample into 10 representative subsamples.
- 4.3 Mechanical dispersion device.
- 4.4 Beaker, glass beaker of 1000 mL capacity.
- 4.5 Cylinder, glass measuring cylinder of 500 mL capacity.
- 4.6 Cylinder, glass measuring cylinder of 500 mL capacity with stopper.
- 4.7 Wash bottle, containing distilled water.
- 4.8 Beakers, 12 glass beakers of 250 mL capacity.
- 4.9 Funnel.
- 4.10 Soil sample divider.
- 4.11 Balance of suitable capacity, with a resolution of at least 1 g and with a limit of performance within the range of ± 5 g.
- 4.12 Plastic sample container of suitable volume.
- 4.13 Sieve, 0.075 mm wash sieve complying with ISO 3310.

4.14 Spray bottle, containing distilled water.

5 Materials

The following materials are required:

5.1 Dispersing agent

- Prepare by dissolving 33 g of sodium hexametaphosphate (LR Grade) and 7 g of anhydrous sodium carbonate (LR Grade) or 18.9 g of sodium carbonate decahydrate (LR Grade) in one litre of water (Note 10.1).

This solution is unstable and is to be freshly prepared approximately once a month with the preparation and expiry dates recorded on the container.

5.2 Distilled water.

6 Procedure

The procedure shall be as follows:

6.1 Sample Preparation

- 6.1.1 Prepare a sample as detailed in Test Method Q101, air drying the material as necessary. Obtain a representative test portion and determine the particle size distribution of the coarse fraction as detailed in Test Method Q103A.
- 6.1.2 Further prepare the material by screening it on a 2.36 mm sieve and split it using the soil sample divider to produce a representative, fine fraction subsample of approximately 30 g for particle size distribution analysis by laser diffraction.
- 6.1.3 Add approximately 100 mL of the dispersing agent to the subsample and allow it to stand for at least 12 hours.
- 6.1.4 Transfer the subsample to the mechanical dispersion device using the wash bottle to ensure all particles are transferred, and disperse for approximately 15 minutes.
- 6.1.5 Transfer the mechanically dispersed suspension to the 0.075 mm wash sieve which is placed over a funnel that drains into a 500 mL measuring cylinder and use minimal distilled water from the spray bottle to wash all fines to passing 0.075 mm.
- 6.1.6 Pour the sample from the 500 mL measuring cylinder into the second 500 mL measuring cylinder with stopper and invert a number of times to ensure a homogenous distribution of the particles throughout the sample.
- 6.1.7 Pour the sample into the sample splitting device reducing it to 10 representative slurry aliquots. Use minimal distilled water from the wash bottle to flush all particles remaining in the cylinder and the funnel into the slurry aliquots.

6.2 Determination of Optimum Parameters

- 6.2.1 Switch on the dispersion unit and optical bench and allow them to warm up for at least 30 minutes.
- 6.2.2 Fill the 1000 mL beaker with distilled water and circulate at 2000 RPM for 1 minute.
- 6.2.3 Before measurements are performed it is necessary to conduct trials to determine the optimum settings for parameters such as pump speed, ultrasonic strength and ultrasonic duration for a particular sample.

- 6.2.4 Using the principles outlined in the relevant user manual, take a number of manual measurements of the sample to determine the optimum parameters for that sample (Note 10.2).
- 6.2.5 Using the principles outlined in the relevant user manual, create a standard operating procedure (SOP) that will take ten measurements of the sample and report the volume distribution at the following predetermined particle sizes: 0.05 mm, 0.035 mm, 0.025 mm, 0.015 mm, 0.0125 mm, 0.01 mm, 0.0075 mm, 0.005 mm, 0.0025 mm, 0.002 mm and 0.001 mm. This SOP will be used for a specific sample and include the parameters determined in Step 6.2.3.
- 6.2.6 Empty the 1000 mL beaker and refill to approximately 700 mL with distilled water.
- 6.2.7 Manually run the pump at 2000 RPM for 1 minute.
- 6.2.8 Repeat Steps 6.2.5 and 6.2.6 at least twice to flush the system.

6.3 Measurement Procedure

- 6.3.1 Using the SOP created in Step 6.2.4 allow the system to complete any automatic checks required prior to measurement such as electronic background and optical alignment.
- 6.3.2 Confirm that all data produced by the automatic checks in Step 6.3.1 are within limits required to continue with the measurement. If this is not the case it may be necessary to stop the procedure pending maintenance of the system before the process is resumed at Subsection 6.2.
- 6.3.3 Add one full aliquot into the liquid dispersion unit using the wash bottle and minimal distilled water to ensure the transfer of all particles.
- 6.3.4 Lower the pump arm and note the obscuration level (Note 10.3).
- 6.3.5 When an obscuration level within the limits described by the manufacturer is achieved, record the obscuration and complete the measurement.
- 6.3.6 Record the volume under percentage readings measured at each of the predetermined particle sizes.
- 6.3.7 Record the volume distribution percentile readings $d(0.1)$, $d(0.5)$ and $d(0.9)$ for all ten measurements and the average.
- 6.3.8 After the completion of the measurement empty the 1000 mL beaker and refill to approximately 700 mL with distilled water.
- 6.3.9 Manually run the pump at 2000 RPM for 1 minute.
- 6.3.10 Repeat Steps 6.3.8 and 6.3.9 at least twice to flush the system.
- 6.3.11 Refill the 1000 mL beaker with distilled water and run the pump until the sample tubes are filled.

7 Calculations

Calculations shall be as follows:

7.1 Repeatability

- 7.1.1 Calculate the repeatability of $d(0.1)$, $d(0.5)$, and $d(0.9)$ as follows:

$$R_{(0.1,0.5,0.9)} = \left(\frac{d_{\max}(0.1,0.5,0.9) - d_{\min}(0.1,0.5,0.9)}{d_{\text{avg}}(0.1,0.5,0.9)} \right) 100$$

- Where
- $R_{(0.1,0.5,0.9)}$ = repeatability of volume distribution percentile reading $d(0.1)$, $d(0.5)$ or $d(0.9)$ (%)
 - $d_{\max}(0.1,0.5,0.9)$ = maximum volume distribution percentile reading $d(0.1)$, $d(0.5)$ or $d(0.9)$
 - $d_{\min}(0.1,0.5,0.9)$ = minimum volume distribution percentile reading $d(0.1)$, $d(0.5)$ or $d(0.9)$
 - $d_{\text{avg}}(0.1,0.5,0.9)$ = average volume distribution percentile reading $d(0.1)$, $d(0.5)$ or $d(0.9)$
 - $d(0.1)$ = volume distribution percentile reading $d(0.1)$
 - $d(0.5)$ = volume distribution percentile reading $d(0.5)$
 - $d(0.9)$ = volume distribution percentile reading $d(0.9)$

7.1.2 Compare the calculated repeatability of $d(0.1)$, $d(0.5)$ and $d(0.9)$ and, if they comply with the relevant criteria in Table 1, calculate the percent passing. Otherwise repeat the measurement (Note 10.4).

7.2 For each measurement, calculate the percent passing as follows:

$$P_i = \frac{(P_{0.075} V_i)}{100}$$

- Where:
- P_i = percent passing at the i^{th} measurement
 - $P_{0.075}$ = percent passing the 0.075 mm sieve as determined in 8.1.1
 - V_i = volume under percentage reading of the i^{th} measurement

8 Records

The following shall be recorded:

- 8.1 Details of the optimum parameters determined in Subsection 6.2.
- 8.2 Obscuration at time of measurement.
- 8.3 Real and imaginary part of the refractive index.
- 8.4 Dispersant type and quantity.
- 8.5 Instrument type and identification.

9 Reporting

The following shall be reported:

- 9.1 Particle size measured to the nearest 0.001 mm.
- 9.2 The percent passing to the nearest 0.01%.
- 9.3 If required, a chart displaying the plot of percent passing versus particle size on semi-logarithmic graph paper.

10 Notes on method

- 10.1 Before handling sodium hexametaphosphate, anhydrous sodium carbonate or sodium carbonate decahydrate, the operator should consult the relevant SDS.
- 10.2 The general process for determination of the optimum parameters may include incrementally increasing the pump speed until all particulates are flowing through the system then incrementally increasing the level of ultrasonication until de-agglomeration is achieved. The operator is required to draw on experience and training in order to optimise the test parameters and minimise the contribution of operator error to the uncertainty of the test results. When these optimum parameters have been determined, at least 5 measurements should be taken on the same aliquot with no ultrasonication to ensure the consistency of readings. There are a number of potential causes for not effectively identifying the optimum parameters for a sample, including: incorrect preparation of the sample, incomplete de-agglomeration and insufficient pump speed. These may be overcome but could require the retesting of multiple aliquots before a reliable SOP can be created.

The following parameters are standard for all SOP created under the scope of this method:

- Particle refractive index 1.555
 - Absorption 0.01
 - Dispersant Water
 - Dispersant refractive index 1.330
 - Analysis model General purpose
- 10.3 Before measurement can take place the obscuration level must be within limits described by the manufacturer. If the obscuration level is showing less than the lower limit one or more full aliquots may be added to the 1000 mL beaker to raise the obscuration level to within limits but care should be taken not to add more aliquots than the beaker can hold without spillage occurring while stirring. If the obscuration is showing greater than the upper limit the ratio of sample to dispersant in the 1000 mL beaker must be reduced. This can be achieved through the addition of distilled water to the 1000 mL beaker or the further reduction of the representative slurry aliquots. If further reduction is chosen care must be taken to ensure the new, twice reduced, slurry aliquots remain representative of the original sample.
 - 10.4 Upon completion of the measurement it is necessary to perform a repeatability check to confirm the validity of the results. If the requirements are not met it is an indication that the sample is changing in some manner and the optimum parameters for the SOP may need to be reassessed.

Table 1 – Repeatability assessment values

Volume distribution percentile	Repeatability	
	$d(0.5) \geq 0.01 \text{ mm}$	$d(0.5) < 0.01 \text{ mm}$
d(0.5)	$R(0.5) \leq 3\%$	$R(0.5) \leq 6\%$
d(0.1)	$R(0.1) \leq 5\%$	$R(0.1) \leq 10\%$
d(0.9)	$R(0.9) \leq 5\%$	$R(0.9) \leq 10\%$

Test Method Q104A: Liquid limit of soil

1 Source

This method is based on BS 1377-2: Methods of test for soils for civil engineering purposes – Part 2: Classification tests – Method 4.3: Cone penetrometer method. However, the liquid limit is defined in this method as the moisture content at a penetration of 15.5 mm. There are some other minor procedural differences.

2 Scope

This method describes the procedure for the determination of the liquid limit of the portion of a soil passing the 0.425 mm sieve using the cone penetrometer apparatus. The liquid limit is defined notionally as the moisture content at which the soil passes from the plastic to the liquid state, as determined by this procedure.

3 Apparatus

Where appropriate, the working tolerances of particular apparatus are contained in Table 1.

The following apparatus is required:

- 3.1 Penetrometer, a manual or automatic release penetrometer generally complying with BS EN 1426, with the exception of the following features:
 - a) Depth indicator, with a resolution, maximum recorded indication error and a maximum recorded repeatability error not exceeding the working tolerances. A device such as a dial gauge, calliper rule, displacement transducer or similar would be suitable (Note 9.1).
 - b) Penetration cone, a polished stainless steel cone with a cone angle of 30°, and
 - c) The total moving mass of the cone, cone holder, shaft and any adjusting masses is 80 g.
- 3.2 Cone wear template, consisting of a metal plate 1.75 mm thick, with a hole of 1.5 mm diameter.
- 3.3 Sieve, 0.425 mm complying with ISO 3310.
- 3.4 Timing device, a stopwatch or audible seconds counter accurate to 0.5 seconds.
- 3.5 Balance of suitable capacity, having a resolution of at least 0.01 g and with a limit of performance within the range of ± 0.05 g.
- 3.6 Mixing bowl, about 150 mm diameter and 100 mm deep.
- 3.7 Drying ovens:
 - 3.7.1 Oven of suitable capacity, having a temperature of 45-50°C and complying with AS 1289.0.
 - 3.7.2 Oven of suitable capacity, having a temperature of 105-110°C and complying with AS 1289.0.
- 3.8 Spatula.
- 3.9 Containers with lids, for moisture content determination.
- 3.10 Test receptacles, containers having an internal diameter of 50 mm and an internal depth of 45 mm. Suitable containers are of heavy gauge aluminium, about 1.2 mm thick.
- 3.11 Potable water.
- 3.12 Curing containers, airtight containers to be used for curing of samples.

4 Adjustment of apparatus

Perform the adjustment of the apparatus as follows:

- 4.1 Check that the penetrometer shaft falls freely before each use or on a daily basis.
- 4.2 Check the sharpness of the cone at least daily using the cone wear template. Replace the cone when the point cannot be felt when brushed lightly with a fingertip when the cone is pushed through the hole in the cone wear template.

5 Procedure

The procedure shall be as follows:

- 5.1 Prepare the sample as detailed in Section 5 of Test Method Q101, either air drying the material or drying in a 45-50°C oven as necessary. Obtain a representative subsample and further prepare the material as detailed in Subsection 6.4 of Test Method Q101 using a mortar and pestle and screening it on a 0.425 mm sieve to produce a fine fraction subsample of approximately 300 g.
- 5.2 Transfer the soil fines to the mixing bowl and add a small amount of potable water.
- 5.3 Mix the soil and water thoroughly for several minutes until it becomes a stiff homogeneous paste ready for curing (Note 9.2). A penetration in the range of 9 mm to 12 mm, as determined in Steps 5.6 to 5.13, provides a suitable moisture content for effective curing.
- 5.4 Place the soil/water mixture in an airtight container to cure for at least 12 hours to allow the moisture to permeate the soil.
- 5.5 After curing, mix the soil / water thoroughly for 3 minutes.
- 5.6 Determine the mass of a moisture content container and lid (m_1).
- 5.7 Fill the test receptacle by placing the test material in the bottom of the container and exerting adequate pressure on the spatula to displace the soil / water mixture in an outward direction to remove any air from the mixture.
- 5.8 Completely fill the container in this manner and level the surface of the mixture with no more than three strokes of the spatula held almost flat. The soil / water mixture in the test container is now ready for penetration.
- 5.9 To prevent moisture loss during testing, cover the mixing bowl with a moist cloth.
- 5.10 Zero the depth indicator gauge with the penetrometer shaft and cone at the maximum height.
- 5.11 Position the filled test receptacle centrally under the point of the cone of the penetrometer and bring the cone into contact with the surface of the soil / water mixture.
- 5.12 Release the penetrometer shaft and allow the cone to penetrate the soil / water mixture for a period of 5 ± 0.5 seconds.
- 5.13 Depress the depth indicator plunger with a light downward pressure and record the depth of penetration of the cone into the soil to the nearest 0.1 mm.
- 5.14 Return the penetrometer head to its original position, remove the test receptacle and clean the penetration cone.
- 5.15 Remove the soil / water mixture from the test container and add it back into the mixing bowl.
- 5.16 Wipe the test receptacle clean with a moist cloth and store inverted ready for the next penetration test or use a clean test receptacle.

- 5.17 Thoroughly remix the soil sample in the mixing bowl for a period of 30 seconds and repeat Steps 5.6 to 5.16.
- 5.18 Compare the two penetrations and, if they are within 1.0 mm of each other, then the results may be averaged. Record this average as the penetration value of the sample (p_i). If the two penetrations are not within 1.0 mm of each other, then repeat Steps 5.6 to 5.16.
- 5.19 If the average penetration is less than 10 mm, add additional water to the soil / water mixture and thoroughly mix for 3 minutes. Repeat Steps 5.6 to 5.18 to achieve an average penetration value between 10-12 mm.
- 5.20 Immediately after the penetration of the second subsample of an acceptable pair of results, remove the mixture from the test receptacle and return it to the mixing bowl. Remix the soil/water mixture for 30 seconds.
- 5.21 After this remixing, place about 10-15 g of the soil sample in a moisture container and firmly replace the lid (Note 9.3).
- 5.22 Record the mass of the container, lid and wet soil to the nearest 0.01 g (m_2). Determine the moisture content of the sample as detailed in Test Method AS 1289.2.1.1. Record the moisture content to the nearest 0.1 percent (w_i).
- 5.23 Repeat Steps 5.6 to 5.22 four times for successive moisture increments. It is desirable that the first two penetration values of the liquid limit test are less than 14.5 mm, one penetration is between 14.5 mm and 16.5 mm and two penetration values are greater than 16.5 mm. The same penetrometer must be used for the complete liquid limit test. The sample shall be thoroughly remixed for a period of 3 minutes after each moisture increment.

6 Calculations

Calculate the liquid limit of the soil as follows:

- 6.1 Determine the relationship between the moisture contents (w_i) and the penetrations (p_i) using linear regression analysis of the following relationship:

$$w = b(\log_{10}p) + a$$

- where w = moisture content (%)
- b = slope of linear relationship
- p = penetration (mm)
- a = y intercept of linear relationship

- 6.2 Determine the slope of the linear relationship as follows:

$$b = \frac{n \sum \log_{10}pw - \sum \log_{10}p \sum w}{n \sum \log_{10}p^2 - (\sum \log_{10}p)^2}$$

- where b = slope of linear relationship
- n = number of pairs of test results (5)
- $\sum \log_{10}pw$ = sum of the products of the corresponding results for the log10 penetrations (p_i) and moisture contents (w_i)

$\sum \log_{10} p$ = sum of the log10 penetrations (p_i)

$\sum w$ = sum of the moisture contents (w_i)

$(\sum \log_{10} p)^2$ = sum of the squares of the log10 penetrations (p_i)

6.3 Determine the y intercept of the linear relationship as follows:

$$a = \frac{1}{n} (\sum w - b \sum \log_{10} p)$$

where a = y intercept of linear relationship

n = number of pairs of test results (5)

$\sum w$ = sum of the moisture contents (w_i)

b = slope of linear relationship

$\sum \log_{10} p$ = sum of the log10 penetrations (p_i)

6.4 Calculate the liquid limit of the soil as follows:

$$y = 1.19b + a$$

where y = liquid limit of the soil (Note 9.4)

b = slope of linear relationship

a = y intercept of linear relationship

7 Report

Report the following values and general information:

7.1 Report the liquid limit to the nearest 0.2%.

7.2 The number of this test method, that is Q104A.

8 Precision

8.1 Repeatability

Duplicate tests on the same sample by the same operator are acceptable if the results do not differ by more than $0.23 \sqrt{L}$, where L is the average liquid limit for the duplicate tests.

8.2 Reproducibility

Duplicate tests on the same sample by different laboratories are acceptable if the results do not differ by more than $0.94 \sqrt{L}$, where L is the average liquid limit for the duplicate tests.

9 Notes on method

9.1 Some devices such as calliper rules (digital or vernier displays) do not require a repeatability assessment as detailed in AS 1984. For such devices, the requirement for repeatability error in Table 1 will not apply.

9.2 Inadequate mixing may result in an erroneous value being obtained for the liquid limit (usually less than the true value). This is due to the time required for water to penetrate into absorptive particles and into the internal structure of some clays and for mechanical disturbance to break

up aggregations of finer particles, particularly clays. The sample should be mixed using a technique of applying firm pressure with the spatula to the paste, against the surface of the bowl, followed by folding of the paste.

- 9.3 This quantity of soil is less than that required by Test Method AS 1289.2.1.1. However, because of the uniformity of the soil that constitutes the sample, it is considered to be an acceptable quantity.
- 9.4 The calculation in Step 6.4 has been simplified from $y=(\log_{10} 15.5)^b+a$.

Table 1 – Working tolerances for apparatus

Apparatus	Value	Tolerance
Penetrometer - depth indicator		
Resolution (mm)	0.1	Maximum
Indication error (mm)	0.0	± 0.2
Repeatability error (mm)	0.0	± 0.05
Penetration cone		
Cone angle (degrees)	30	± 1
Cone, cone holder and shaft		
Mass (g)	80	± 0.1
Cone wear template		
Thickness (mm)	1.75	± 0.1
Hole diameter (mm)	1.5	± 0.05
Test receptacles		
Internal diameter (mm)	50	± 5
Internal depth (mm)	45	± 10

Test Method Q104D: Liquid limit of soil - one point

1 Source

This method is based on BS 1377-2: Methods of test for soils for civil engineering purposes – Part 2: Classification tests – Method 4.4: One-point cone penetrometer method. However, the liquid limit is defined in this method as the moisture content at a penetration of 15.5 mm, thus the factor calculated in Step 6.1 will be different from the source method. There are some other minor procedural differences.

This method also includes variations developed through internal departmental investigations (Main Roads Barcaldine District, "Determination of the Liquid Limit of Decomposed Sandstone by the Cone Point Method" D07-03-1987 and Vanderstaay A.G.B., "Material Sources in Western Queensland", Western Queensland Best Practice Guidelines – WQ33, May 2000) to allow the testing of Winton sandstone material.

2 Scope

This method describes a one-point procedure for the determination of the liquid limit of the portion of a soil passing the 0.425 mm sieve using the cone penetrometer apparatus.

This method is less accurate than the standard method described in Test Method Q104A. In the case of any doubts when using this method, the sample should be retested using Test Method Q104A (except for Winton Sandstones, which cannot be tested using Test Method Q104A).

3 Apparatus

Where appropriate, the working tolerances of particular apparatus are contained in Table 1.

The following apparatus is required:

- 3.1 Penetrometer, a manual or automatic release penetrometer generally complying with BS EN 1426, with the exception of the following features:
 - a) Depth indicator, with a resolution, maximum recorded indication error and a maximum recorded repeatability error not exceeding the working tolerances. A device such as a dial gauge, calliper rule, displacement transducer or similar device would be suitable.
 - b) Penetration cone, a polished stainless steel cone with a cone angle of 30°.
 - c) The total moving mass of the cone, cone holder, shaft and any adjusting masses is 80 g.
- 3.2 Cone wear template, consisting of a metal plate 1.75 mm thick, with a hole of 1.5 mm diameter.
- 3.3 Sieve, 0.425 mm complying with ISO 3310.
- 3.4 Timing device, a stopwatch or audible seconds counter accurate to 0.5 seconds.
- 3.5 Balance of suitable capacity, having a resolution of at least 0.01 g and with a limit of performance within the range of ± 0.05 g.
- 3.6 Mixing bowl, about 150 mm diameter and 100 mm deep.
- 3.7 Drying ovens:
 - 3.7.1 Oven of suitable capacity, having a temperature of 45 - 50°C and complying with AS 1289.0.
 - 3.7.2 Oven of suitable capacity, having a temperature of 105 - 110°C and complying with AS 1289.0.

- 3.8 Spatula.
- 3.9 Containers with lids, for moisture content determination.
- 3.10 Test receptacles, containers having an internal diameter of 50 mm and an internal depth of 45 mm. Suitable containers are of heavy gauge aluminium, about 1.2 mm thick.
- 3.11 Potable water.
- 3.12 Curing containers, airtight containers to be used for curing of samples.

4 Adjustment on apparatus

- 4.1 Check that the penetrometer shaft falls freely before each use or on a daily basis.
- 4.2 Check the sharpness of the cone at least daily using the cone wear template. If the point cannot be felt when brushed lightly with the tip of the finger when the cone is pushed through the hole, the cone must be replaced.

5 Procedure

The procedure shall be as follows:

5.1 For materials other than Winton Sandstone:

- 5.1.1 Prepare the sample as detailed in Section 5 of Test Method Q101, either air drying the material or drying in a 45-50°C oven as necessary. Obtain a representative subsample and further prepare the material as detailed in Subsection 6.4 of Test Method Q101 using a mortar and pestle and screening it on a 0.425 mm sieve to produce a fine fraction subsample of approximately 150 g.
- 5.1.2 Transfer the test portion to the mixing bowl and add a small amount of potable water.
- 5.1.3 Mix the soil and water thoroughly for several minutes until it becomes a stiff homogeneous paste ready for curing (Note 8.1). A penetration in the range of 9 mm to 21 mm, as determined in Steps 5.1.7 to 5.1.13, provides suitable moisture content for effective curing.
- 5.1.4 Place the soil / water mixture in an airtight container to cure for at least 12 hours to allow the moisture to permeate the soil.
- 5.1.5 After curing, mix the soil / water thoroughly for 3 minutes.
- 5.1.6 Determine the mass of a moisture content container and lid (m_1).
- 5.1.7 Fill the test receptacle by placing the test material in the bottom of the container and exerting adequate pressure on the spatula to displace the soil / water mixture in an outward direction to remove any air from the mixture.
- 5.1.8 Completely fill the container in this manner and level the surface of the mixture with no more than three strokes of the spatula held almost flat. The soil / water mixture in the test container is now ready for penetration.
- 5.1.9 To prevent moisture loss during testing, cover the mixing bowl with a moist cloth.
- 5.1.10 Zero the depth indicator with the penetrometer shaft and cone at the maximum height.
- 5.1.11 Position the filled test receptacle centrally under the point of the cone of the penetrometer and bring the cone into contact with the surface of the soil / water mixture.
- 5.1.12 Release the penetrometer shaft and allow the cone to penetrate the soil/water mixture for a period of 5 ± 0.5 seconds.

- 5.1.13 Depress the indicator plunger with a light downward pressure and record the depth of penetration of the cone into the soil to the nearest 0.1 mm.
- 5.1.14 Return the penetrometer head to its original position, remove the test receptacle and clean the penetration cone.
- 5.1.15 Remove the soil / water mixture from the test container and add it back into the mixing bowl.
- 5.1.16 Wipe the test receptacle clean with a moist cloth and store inverted ready for the next penetration test or use a clean test receptacle.
- 5.1.17 Thoroughly remix the soil sample in the mixing bowl for a period of 30 seconds and repeat Steps 5.1.7 to 5.1.16.
- 5.1.18 Compare the two penetrations and, if they are within 1.0 mm of each other and the average penetration is within the 10-21 mm range, then the results may be averaged (\bar{p}). Record this average as the penetration value of the sample. If the two penetrations are not within 1.0 mm of each other, then repeat Steps 5.1.7 to 5.1.16.
- 5.1.19 If the average penetration is less than 10 mm, add additional water to the soil/water mixture and thoroughly mix for 3 minutes. Repeat Steps 5.1.7 to 5.1.18 to achieve an average penetration value between 10-21 mm.
- 5.1.20 Immediately after the penetration of the second subsample of an acceptable pair of results, remove the mixture from the test receptacle and return it to the mixing bowl. Remix the soil/water mixture for 30 seconds.
- 5.1.21 After this remixing, take a representative sample of and place in a pre-weighed moisture container and firmly replace the lid. A 10-15 g moisture sample is adequate for this test due to the uniformity of the test portion.
- 5.1.22 Determine the mass of the container and wet soil (m_2). Determine the moisture content of the sample as detailed in Test Method AS 1289.2.1.1.

5.2 For Winton Sandstone materials (Note 8.2):

- 5.2.1 Prepare the sample as detailed in Section 5 of Test Method Q101, either air drying the material or drying in a 45 - 50°C oven as necessary. Obtain a representative subsample and further prepare the material as detailed in Subsection 6.4 of Test Method Q101 using a mortar and pestle and screening it on a 0.425 mm sieve to produce a fine fraction subsample of approximately 200 g.
- 5.2.2 Transfer the test portion to the mixing bowl and add potable water (Note 8.3).
- 5.2.3 Mix the soil and water thoroughly for 5 minutes (Note 8.1). The addition of small increments of water to facilitate mixing is permitted provided the total mixing time remains 5 minutes.
- 5.2.4 Place the soil/water mixture in an airtight container to cure for at least 12 hours to allow the moisture to permeate the soil.
- 5.2.5 After curing, mix the soil / water thoroughly for 10 minutes.
- 5.2.6 Determine the mass of a moisture content container and lid (m_1).
- 5.2.7 Fill the test receptacle by placing the test material in the bottom of the container and exerting adequate pressure on the spatula to displace the soil / water mixture in an outward direction to remove any air from the mixture.

- 5.2.8 Completely fill the container in this manner and level the surface of the mixture with only one stroke of the spatula held almost flat. The soil / water mixture in the test container is now ready for penetration.
- 5.2.9 To prevent moisture loss during testing, cover the mixing bowl with a moist cloth.
- 5.2.10 Zero the depth indicator with the penetrometer shaft and cone at the maximum height.
- 5.2.11 Position the filled test receptacle centrally under the point of the cone of the penetrometer and bring the cone into contact with the surface of the soil / water mixture.
- 5.2.12 Release the penetrometer shaft and allow the cone to penetrate the soil / water mixture for a period of 5 ± 0.5 seconds.
- 5.2.13 Depress the indicator plunger with a light downward pressure and record the depth of penetration of the cone into the soil to the nearest 0.1 mm.
- 5.2.14 Return the penetrometer head to its original position, remove the test receptacle and clean the penetration cone.
- 5.2.15 Discard the soil / water mixture in the test receptacle.
- 5.2.16 Wipe the test receptacle clean with a moist cloth and store inverted ready for the next penetration test or use a clean test receptacle.
- 5.2.17 Repeat Steps 5.2.7 to 5.2.14.
- 5.2.18 Compare the two penetrations and, if they are within 1.0 mm of each other and the average penetration is within the 10-21 mm range, then the results may be averaged (p). Record this average as the penetration value of the sample. If the two penetrations are not within 1.0 mm of each other or outside the 10-21 mm range, then discard the sample and repeat the entire test.
- 5.2.19 Immediately after the penetration of the second subsample of an acceptable pair of results, remove the top surface layer of the soil water mixture in the test receptacle with a spatula and place in a pre-weighed moisture container and firmly replace the lid. A 10-15 g moisture sample is adequate for this test due to the uniformity of the test portion.
- 5.2.20 Determine the mass of the container and wet soil (m_2). Determine the moisture content of the sample as detailed in Test Method AS 1289.2.1.1.

6 Calculation

- 6.1 Calculate the correction factor for penetration value as follows:

$$f = 2.1261 p^{-0.2752}$$

where f = correction factor for penetration value of the sample
 p = average penetration value (mm)

- 6.2 Calculate the liquid limit of the soil as follows:

$$w_{cl} = wf$$

where w_{cl} = liquid limit of the soil
 w = moisture content of soil
 f = correction factor for penetration value of the sample

7 Reporting

Report the following values and general information:

- 7.1 Liquid limit to the nearest 0.2%.
- 7.2 If the material tested is Winton Sandstone, this should be reported.
- 7.3 The number of this test method, that is Q104D.

8 Notes on method

- 8.1 Inadequate mixing may result in an erroneous value being obtained for the liquid limit (usually less than the true value). This is due to the time required for water to penetrate into absorptive particles and into the internal structure of some clays and for mechanical disturbance to break up aggregations of finer particles, particularly clays. The sample should be mixed using a technique of applying firm pressure with the spatula to the paste, against the surface of the bowl, followed by folding of the paste.
- 8.2 The mixing times specified in Steps 5.2.3 and 5.2.5 need to be strictly adhered to for Winton Sandstone. Variations in mixing time can significantly affect the results.
- 8.3 The water added should be sufficient to produce the desired consistency slightly stiffer than liquid limit at the conclusion of mixing.

Table 1 – Working tolerances for apparatus

Apparatus	Value	Tolerance
Penetrometer - depth indicator		
Resolution (mm)	0.1	Maximum
Indication error (mm)	0.0	± 0.2
Repeatability error (mm)	0.0*	± 0.05
Penetration cone		
Cone angle (°)	30	± 1
Cone, Cone holder and shaft		
Mass (g)	80	± 0.1
Cone wear template		
Thickness (mm)	1.75	± 0.1
Hole diameter (mm)	1.5	± 0.05
Test receptacles		
Internal diameter (mm)	50	± 5
Internal depth (mm)	45	± 10

* Some devices such as calliper rules (digital or vernier displays) do not require a repeatability assessment as detailed in AS 1984. For such devices, the requirement for repeatability error will not apply.

Test Method Q105: Plastic limit and plasticity index of soil

1 Source

This method is based on AS 1289.3.2.1: Soil classification tests – Determination of the plastic limit of a soil – Standard method and AS 1289.3.3.1: Soil classification tests – Calculation of the plasticity index of a soil except as follows:

- a) when determining plastic limit, the sample is initially prepared to an oven or air dried condition
- b) for compliance testing required by Transport and Main Roads technical specifications the sample is then brought to a moisture content higher than the liquid limit before commencing the test
- c) for other testing the sample is then brought to a moisture content sufficient to allow the sample to be shaped into a ball
- d) rolling of soil threads between the hands is not permitted
- e) the definition of the endpoint where the soil thread reaches the plastic limit differs from the source method, and
- f) for the plasticity index, the calculation is based on a liquid limit determined using a cone penetrometer.

2 Scope

This method describes the procedure for the determination of the plastic limit of the portion of a soil passing the 0.425 mm sieve. The plastic limit is the moisture content at which the soil passes from the semisolid to the plastic state as determined in accordance with this standard procedure.

The plasticity index is the numerical difference between the liquid limit and plastic limit and is a measure of the range over which the soil is notionally considered to be in the plastic state.

The weighted plasticity index (WPI) is the product of the plasticity index (PI) of a soil and the percentage of the soil finer than 0.425 mm.

3 Apparatus

Where appropriate, the working tolerances of particular apparatus are contained in Table 1.

The following apparatus is required:

- 3.1 Balance of suitable capacity, having a resolution of at least 0.01 g and with a limit of performance within the range of ± 0.05 g.
- 3.2 Glass plate, about 300 mm square, 10 mm thick, either ground glass or lightly sand blasted.
- 3.3 Drying oven of suitable capacity, having a temperature of 105-110°C and complying with AS 1289.0.
- 3.4 Containers with lids, for moisture content determination.
- 3.5 Reference rod, 3.0 mm diameter and approximately 90 mm long.

4 Determination of plastic limit

The procedure shall be as follows:

- 4.1 Obtain approximately 50 g of the soil/water mixture used in the liquid limit test (Q104A) at the first average penetration greater than or equal to 15.5 mm.
- 4.2 Form a subsample of about 10 g into a ball and cover the remaining material to avoid evaporation.
- 4.3 Roll the subsample between the fingers and the glass plate. Use sufficient finger pressure to reduce the diameter of the subsample (Note 8.1).
- 4.4 When the length of the thread is approximately 90 mm long, divide the thread into three or four equal lengths as excessively long threads become unwieldy and break apart. Cover the threads to avoid evaporation.
- 4.5 Roll each thread in turn between the fingers and the glass plate. Use sufficient finger pressure to reduce the diameter of the thread to 3 mm when compared to the reference rod. If the thread reaches 3 mm without crumbling, cover the thread to avoid further moisture loss (Notes 8.2, 8.3 and 8.4).
- 4.6 Roll all threads to a 3 mm diameter and then knead them together and reform into a ball.
- 4.7 Repeat the process of rolling and kneading as described in Steps 4.4 to 4.7 until crumbling of the soil thread occurs (Note 8.5).
- 4.8 As each soil thread reaches the plastic limit, place it in a container for moisture determination and replace the lid.
- 4.9 Repeat Steps 4.3 to 4.9 until at least 10 g of soil has been placed in the container. Determine the moisture content (w_1) of the test portion as detailed in Test Method AS 1289.2.1.1 (Note 8.6).
- 4.10 Repeat Steps 4.3 to 4.10 for a second determination of the plastic limit of the soil (w_2).

5 Calculations

Calculations shall be as follows:

- 5.1 Calculate the plastic limit as follows:

$$PL = \frac{w_1 + w_2}{2}$$

- where
- PL = plastic limit of the soil
 - w_1 = moisture content of first test portion (%)
 - w_2 = moisture content of second test portion (%)

- 5.1.1 Compare the individual moisture contents and, if they vary by more than $0.43\sqrt{PL}$ where PL is the plastic limit, then repeat the test.
- 5.1.2 Round the plastic limit (PL) to the nearest 0.2 percent.
- 5.2 Calculate the plasticity index as follows:

$$PI = LL - PL$$

- where PI = plasticity index of the soil (Note 8.7)
- LL = reported liquid limit of the soil, obtained from either Test Method Q104A or Q104D (%)
- PL = plastic limit of the soil (%)

5.3 If required, calculate the weighted plasticity index as follows:

$$WPI = PI P_{0.425}$$

- where WPI = weighted plasticity index of the soil (%)
- PI = plasticity index of the soil (%)
- $P_{0.425}$ = percentage passing the 0.425 mm sieve, obtained from Test Method Q103A (Note 8.8)

6 Reporting

The following shall be reported:

- 6.1 Plastic limit to the nearest 0.2% (if required).
- 6.2 Plasticity index to the nearest 0.2%.
- 6.3 Weighted plasticity index to the nearest 1% (if required).

7 Precision

7.1 Repeatability

7.1.1 Plastic Limit

Duplicate tests by the same operator are acceptable if they do not differ by more than $0.31\sqrt{PL}$, where PL is the average plastic limit for the duplicate tests.

7.1.2 Plasticity Index

Duplicate tests by the same operator are acceptable if the results do not differ by more than $0.33\sqrt{PI}$, where PI is the average plasticity index for the duplicate tests.

7.2 Reproducibility

7.2.1 Plastic Limit

Duplicate tests from different laboratories are acceptable if they do not differ by more than $1.73\sqrt{PL}$, where PL is the average plastic limit for the duplicate tests.

7.2.2 Plasticity Index

Duplicate tests from different laboratories are acceptable if the results do not differ by more than $1.82\sqrt{PI}$, where PI is the average plasticity index for the duplicate tests.

8 Notes on method

- 8.1 For highly plastic soils, it may not be possible to roll the soil/water mixture because of its high moisture content. Should this be the case, spread the soil on the glass plate to facilitate drying at room temperature and remix thoroughly at regular intervals to ensure even distribution of moisture. Use mixing techniques such as heavy kneading and hand mixing to facilitate drying. Continue the drying and mixing until the soil can be rolled.

- 8.2 If at any time during the rolling process the soil thread crumbles or ceases to roll before the diameter reaches 3 mm, the soil thread is considered to be at the plastic limit and the test continued from Step 4.9.
- 8.3 Crumbling will manifest itself differently for various types of soil. Some soils fall apart in numerous small aggregations of particles; others may form an outside tubular layer that starts splitting at both ends. The splitting progresses towards the middle and finally the thread falls apart in numerous small platey particles.
- 8.4 Some soils show a tendency to crumble or cease to roll prematurely due to excessive pressure. Premature crumbling can also be due to planes formed in the soil mass while kneading it. It is important that the soil thread crumbles or ceases to roll due to decreasing moisture content only. The operator should therefore ensure that the soil thread is truly homogeneous with no planes or fissures in it and that the pressure exerted is just sufficient to diminish the diameter of the thread without distorting it. Oblique rolling can also cause premature crumbling of the soil thread, and take care to ensure that the rolling force is normal to the axis of the thread.
- 8.5 The plastic limit test is liable to a significant amount of personal variation and operators require a great deal of practice before they get the "feel" for all soils and are able to determine the endpoint accurately. Follow the procedure detailed in this method to eliminate all possible personal sources of variation.
- 8.6 The quantity of soil is less than that required by Test Method AS 1289.2.1.1. However, because of the uniformity of the soil that constitutes the sample, it is an acceptable quantity.
- 8.7 If the plastic limit is greater than the liquid limit, record the plasticity index as zero.
- 8.8 The value of the percent passing the 0.425 mm sieve from Test Method Q103A used in the calculation should be unrounded or recorded to 0.01%.

Table 1 – Working tolerances for apparatus

Apparatus	Dimension	Tolerance
Reference rod		
Diameter (mm)	3.0	± 0.3

Table 2 – Plasticity definitions

Material	Liquid Limit Range (%)
Low plasticity	≤ 35
Medium plasticity	> 35 ≤ 50
High plasticity	> 50

Test Method Q106: Linear shrinkage of soil

1 Source

This method applies the principles of AS 1289.3.4.1 – Determination of the linear shrinkage of a soil – Standard method. It differs from this Australian Standard in the cross-sectional shape of the mould, trimming technique, drying requirements and the reporting interval (Notes 8.1 and 8.2).

2 Scope

This method describes the procedure for the determination of the linear shrinkage of that portion of a soil passing a 0.425 mm sieve. The linear shrinkage is the percentage decrease in the longitudinal dimension of a soil bar when dried from the liquid limit to the oven dry state.

The method also includes calculation of the weighted linear shrinkage that is the product of the linear shrinkage of a soil and the percentage of the soil finer than 0.425 mm (Note 8.3).

3 Apparatus

Where appropriate, the working tolerances of particular apparatus are contained in Table 1.

The following apparatus is required:

- 3.1 Drying ovens:
 - 3.1.1 Oven of suitable capacity, having a temperature of 45-50°C and complying with AS 1289.0.
 - 3.1.2 Oven of suitable capacity, having a temperature of 105-110°C and complying with AS 1289.0.
- 3.2 Linear shrinkage mould, stainless steel or brass mould, length 150 mm, width at top 25 mm, width at bottom 20 mm, depth 15 mm (Figure 1).
- 3.3 Suitable measuring device, with a resolution of at least 0.1 mm, e.g. digital callipers.
- 3.4 Spatula.
- 3.5 Scalpel or similar alternative.
- 3.6 Marker and paper.
- 3.7 Steel ruler approximately 300 mm in length.

4 Materials

The following material is required:

- 4.1 Mould oil, a light oil such as Caltex Mould Oil 20 (Notes 8.4 and 8.5).

5 Procedure

The procedure shall be as follows:

5.1 Filling and finishing the mould

- 5.1.1 Lightly oil the dry shrinkage mould.
- 5.1.2 Fill the mould with a subsample of the soil/water mixture that has been prepared as detailed in Test Method Q104A or Q104D. Take the linear shrinkage subsample while the penetration is at 15.5 ± 1.0 mm.
- 5.1.3 Press the soil firmly into the mould, taking care to fill the corners and to eliminate air bubbles. Undertake this filling with the spatula held at right angles to the length of the mould, firstly, by

firming the soil along one side of the mould, then the other. Finally, fill any indentations in the top so the soil is just proud of the edges of the mould.

5.1.4 Cut off the surplus soil with the steel ruler by drawing the steel ruler from the longitudinal centre of the mould towards each side in turn. Then use a maximum of two full sideways sweeps to smooth the surface if required. Wipe the ruler clean before each pass.

5.1.5 Place the filled mould in a 45-50°C oven for a minimum of two hours prior to drying to a constant mass in a 105 - 110°C oven.

5.2 Measurement

5.2.1 Unbroken Soil Bar

- a) Remove the soil bar from the mould and carefully remove any lip at each end of the soil bar.
- b) Determine the internal length of the mould from the approximate geometric centre of one end of the mould to a similar point on the other end (L_1).
- c) Place the bar on a strip of paper and shape the paper to conform to the longitudinal profile of the bottom of the bar. Mark the length on the paper using the scalpel with the mid points at each end clearly indicated.
- d) Determine the distance between the two mid points as the bottom length of the soil bar (L_2).
- e) Repeat Step c) for the top of the bar.
- f) Determine the distance between the two mid points as the top length of the soil bar (L_3).

5.2.2 Broken Soil Bar

- a) Remove the soil bar from the mould and carefully remove any lip at each end of the soil bar.
- b) Determine the internal length of the mould from the approximate geometric centre of one end of the mould to a similar point on the other end (L_1).
- c) Place the bar on a strip of paper and shape the paper to conform to the longitudinal profile of the bottom of the bar. Mark the length on the paper using the scalpel with the mid points at each end clearly indicated.
- d) Place the second segment such that the end where the first break occurred is coincident with the marked end of the break in the first segment. Mark the end of the second segment on the paper using the scalpel with the mid-point clearly indicated.
- e) Place and mark all subsequent segments in sequence as described in Step d) until all segments have been marked on the paper.
- f) Determine the distance between the first and last mid points as the bottom length of the soil bar (L_2).
- g) Repeat Steps c) to e) for the top of the soil bar.
- h) Determine the distance between the first and last mid points as the top length of the soil bar (L_3).
- i) Record the number of breaks in the soil bar at the completion of measurement.

6 Calculation

Calculations shall be as follows:

- 6.1 Calculate the linear shrinkage of the soil as follows:

$$LS = \frac{L_1 - 0.5(L_2 + L_3)}{L_1} 100$$

- where
- LS = linear shrinkage of the soil (%)
 - L_1 = internal length of the mould (mm)
 - L_2 = bottom length of the soil bar (mm)
 - L_3 = top length of the soil bar (mm)

- 6.2 If required, calculate the WLS as follows:

$$WLS = LS P_{0.425}$$

- where
- WLS = weighted linear shrinkage of the soil (%)
 - LS = linear shrinkage of the soil (%)
 - $P_{0.425}$ = percentage passing the 0.425 mm sieve, obtained from Test Method Q103A (Note 8.6)

7 Reporting

The following shall be reported:

- 7.1 Linear shrinkage to the nearest 0.2%.
- 7.2 Weighted linear shrinkage to the nearest 1% (if required).
- 7.3 The number of this test method, that is Q106.

8 Notes on method

- 8.1 The use of a trapezoidal cross section mould and the drying process were developed through internal departmental investigations as reported in Vanderstaay A.G.B., "An analysis of the linear shrinkage test MRD Test Method Q106 – 1986", Main Roads Department, Central Division, CR383, 1986.
- 8.2 The use of a ruler for the trimming of the mould was developed through internal departmental investigations as reported in Moule B., "Analysis of the proposed linear shrinkage trimming method", Department of Transport and Main Roads, Materials Services Branch, 2008.
- 8.3 The weighted linear shrinkage may also be defined as the shrinkage product. For example the "*Unsealed Roads Manual*", Australian Roads Research Board, 3rd Edition, March 2009, uses this terminology.
- 8.4 Before handling oil, the operator should consult the relevant SDS.
- 8.5 Other mould oils such as Shellmould P5, Reochem Mould Oil 20 and Caltex Mould Oil 222 have also been found to be suitable.
- 8.6 The value of the percentage passing the 0.425 mm sieve from Test Method Q103A used in the calculation should be unrounded or recorded to 0.01%.

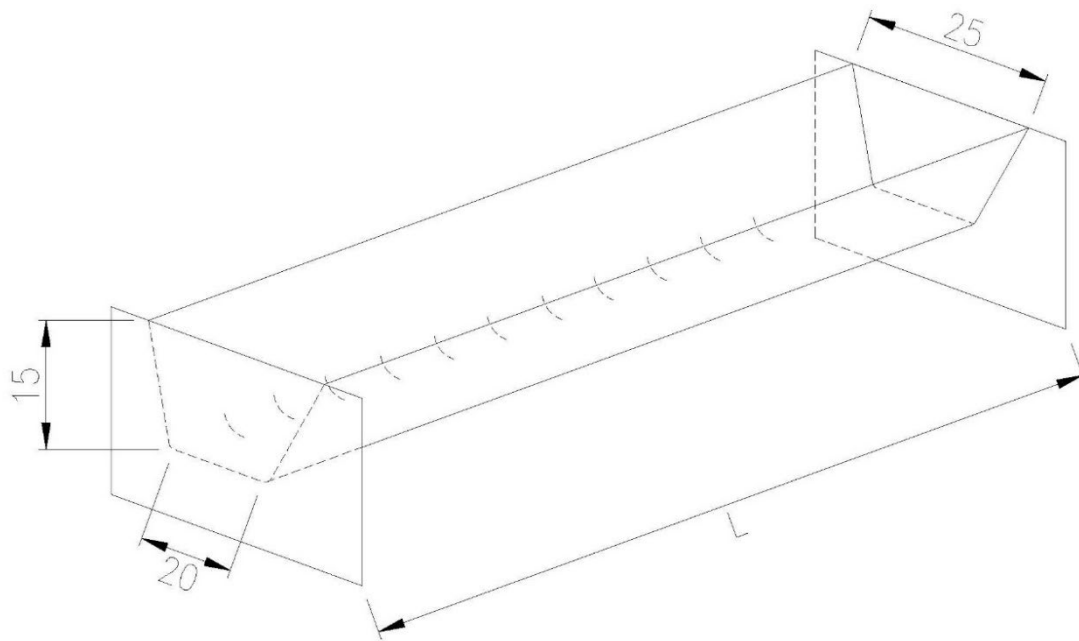
Table 1 – Working tolerances for apparatus

Apparatus	Value	Tolerance
Mould		
Length (mm)	150	± 5
Inside width – top (mm)	25	± 0.5
Inside width – bottom (mm)	20	± 0.5
Inside depth (mm)	15	± 0.5

Table 2 – Plasticity definitions

Material	LL Range (%)
Low plasticity	≤ 35
Medium plasticity	> 35 ≤ 50
High plasticity	> 50

Figure 1 – Linear shrinkage mould



Not to scale

Test Method Q113A: California Bearing Ratio of soil - standard

1 Source

This method applies the principles of AS 1289.6.1.1: *Determination of the California Bearing Ratio* of a soil for a remoulded specimen. It differs from this standard in that it uses multiple specimens and limits the amount of correction which can be applied to the force – penetration curve to 0.5 mm. There are also a number of minor changes to apparatus requirements.

2 Scope

This method describes the procedure for determining the CBR. It is applicable to soil, gravel or crushed rock materials. CBR is defined as the ratio of the force required to cause a circular plunger of 1932 mm² area to penetrate the material for a specified distance expressed as a percentage of a standard force. The standard forces used in this method are 13,200 and 19,800 newtons for penetrations of 2.5 and 5.0 mm respectively.

Test specimens are prepared from passing 19.0 mm material, cured at a range of moisture contents and compacted using a standard compactive effort of 596 kJ/m³. They are then tested either in a soaked or unsoaked condition. The method allows for the determination of CBR MDD and OMC as well as the optional determination of swell and post penetration moisture content. Neither CBR MDD nor CBR OMC may be used for compaction control. The CBR of the material is determined at CBR OMC.

3 Apparatus

Where appropriate, the working tolerances of particular apparatus are contained in Tables 1 and 2.

The following apparatus is required:

- 3.1 CBR machine, fitted with the following:
 - a) a moveable lower platen that travels at a uniform vertical upward rate of 1 mm/min when measured loaded
 - b) force measuring device, equipped with an indicator resolution not exceeding 25 newtons (Notes 8.1 and 8.2)
 - c) penetration piston, having a diameter of 49.6 mm and about 190 mm long, having provision for affixing a suitable penetration gauge (Note 8.3), and
 - d) penetration gauge, such as a dial gauge with a resolution of 0.01 mm and a travel of 25 mm, or a displacement transducer of at least equal performance.
- 3.2 Mould assembly, comprising a cylindrical metal mould having an internal diameter of 152 mm and a height of 178 mm, two detachable baseplates and a removable collar having a height of about 60 mm. One baseplate (perforated baseplate) should have 28 x 3 mm diameter holes uniformly distributed over the area of the plate.
- 3.3 Spacer disc, having a diameter of 150 mm and a height of 61 mm.
- 3.4 Stem and perforated plate, having a diameter of 150 mm, mass of 1000 g and with 42 x 3 mm diameter holes uniformly distributed over the plate.

- 3.5 Soaking weight, having a mass of 4500 g and a diameter of approximately 150 mm, with a centre hole of approximately 55 mm diameter. The surface of the weight in contact with the perforated plate is to be centrally recessed to a minimum depth of 2 mm for a diameter of approximately 120 mm.
- 3.6 Surcharge weights, two metal weights each having a mass of 2250 g and a diameter of 150 mm, with a centre hole of approximately 55 mm diameter.
- 3.7 Swell gauge, consisting of a tripod and a suitable gauge, for example, a dial gauge with a resolution of 0.01 mm and a travel of 25 mm.
- 3.8 Balance of suitable capacity, having a resolution of at least 1 g and with a limit of performance within the range of ± 5 g.
- 3.9 Rammer, a metal rammer having a 50 mm diameter face, a drop mass of 2700 g and a drop height of 300 mm. Alternatively use a mechanical compactor, provided it meets the essential requirements of drop height, mass and energy input. A mechanical compactor may be used provided the essential dimensions are adhered to and the rammer has a free vertical fall of the correct height with blows being uniformly distributed and in keeping with any prescribed cycle of blows. The design of the compactor allows attachment of the mould to a level and rigid support base. The difference between maximum dry density determinations using manual or mechanical compaction is less than 2%.
- 3.10 Sieves, 19.0 mm and 9.50 mm complying with ISO 3310.
- 3.11 Water bath, of sufficient depth to immerse the moulded specimen in water.
- 3.12 Level and rigid foundation upon which to compact the specimen, for example, a 100 mm thick sound concrete floor or a concrete block of at least 100 kg mass.
- 3.13 Straightedge, made of steel and having the approximate dimensions of length 250 mm, width 25 mm and thickness 3 mm, preferably with a bevelled edge.
- 3.14 Sealable containers, suitable for curing soil samples.
- 3.15 Sample extruder, such as a jack, lever frame or other device suitable for extracting compacted soil specimens from the mould.
- 3.16 Material height gauge. A flat steel bar, about 250 mm long, 25 mm wide and 1-3 mm thick is satisfactory (Note 8.4).
- 3.17 Mixing apparatus, such as a tray, trowel or scoop and water sprayer.

4 Materials

The following materials are required:

- 4.1 Filter paper, a coarse filter paper such as Whatman No. 1.
- 4.2 Mould oil, a light mould oil such as Caltex Mould Oil 20 (Note 8.5).

5 Procedure

The procedure shall be as follows:

5.1 Sample preparation

- 5.1.1 Prepare the bulk sample as detailed in Section 5 of Test Method Q101 to produce a representative subsample of appropriate size.

- 5.1.2 Further prepare the material by screening the subsample on a 19.0 mm sieve as detailed in Q101, Steps 6.2.1 to 6.2.3. Ensure that any aggregations are broken up to pass a 9.50 mm sieve. Discard any material retained on the 19.0 mm sieve and thoroughly remix the material passing the 19.0 mm sieve.
- 5.1.3 Prepare four or more representative test portions of the sieved material as detailed in Test Method Q101, Steps 6.2.4 to 6.2.6 of appropriate mass (Note 8.6).
- 5.1.4 Thoroughly mix each test portion in turn with sufficient water so that the range of their moisture contents should straddle optimum moisture content (Note 8.7). The moisture increments between portions shall be essentially equal (Note 8.8).
- 5.1.5 After mixing, place each test portion in a sealed container and allowed to cure for an appropriate time for the material (refer to Table 3) (Note 8.9). Record the times of commencement and completion of the curing.
- 5.1.6 Record the method for determining the plasticity level (refer to Table 3), that is, test method, source records or visual/tactile assessment.

5.2 Mould preparation

- 5.2.1 Lightly oil the inside of the mould and then assemble the mould and perforated baseplate.
- 5.2.2 Determine the mass of the mould and perforated baseplate (m_1). When a soaked CBR test is to be performed, add two filter papers to the mould and perforated baseplate.
- 5.2.3 Attach the second baseplate to the mould, invert the mould and remove the perforated baseplate and both filter papers, if added. Insert the spacer disc in the mould and attach the collar to the mould.

5.3 Compaction

- 5.3.1 Spread the cured test portion on the mixing tray and thoroughly remix. Take a representative subsample and determine the compacted moisture content (w) as detailed in Test Method AS 1289.2.1.1.
- 5.3.2 Place sufficient of the mixed test portion in the mould to achieve a mean compacted height within the range of 39 mm to 44 mm.
- 5.3.3 Compact the material in the mould using 53 uniformly distributed blows of the rammer falling freely through its full height.
- 5.3.4 Measure the height of the compacted specimen using the layer depth gauge at a minimum of four locations such that the mean of the measurements is representative of the average height of the specimen. Discard the specimen if its mean height falls outside the range of 39 mm to 44 mm.
- 5.3.5 Repeat Steps 5.3.2 to 5.3.4, except that the mean compacted height of the specimen shall be within the range of 78 mm to 83 mm.
- 5.3.6 Repeat Steps 5.3.2 to 5.3.4, except that the mean compacted height of the specimen shall be within the range of 117 mm to 122 mm.
- 5.3.7 Remove the collar and level the compacted material to the top of the mould by means of the straightedge. Fill any holes developed in the surface due to removal of coarse material using some of the excess material. When a soaked CBR test is to be performed, place a filter paper on the surface of the compacted material.

- 5.3.8 Reattach the perforated baseplate to the mould and invert the mould. Remove the second baseplate and spacer disc. When a soaked CBR test is to be performed, place a filter paper on the surface of the compacted material.
- 5.3.9 Determine the mass of the mould, perforated baseplate and compacted material (m_2).
- 5.3.10 When testing the compacted material in the soaked condition, soak the compacted material as detailed in Subsection 5.4.
- 5.3.11 When testing the compacted material in the unsoaked condition, penetrate the compacted material as detailed in Subsection 5.5.
- 5.3.12 Prepare additional moulds as detailed in Subsection 5.2 and Subsection 5.3 for the other test portions so that at least four specimens are penetrated. These specimens shall include at least two specimens dry of OMC and shall provide a range of moisture content that straddles OMC and adequately defines the dry density/moisture content relationship under these particular compaction conditions. If necessary, cure, compact and penetrate additional test portions as detailed in Subsections 5.1, 5.3 and 5.5.

5.4 Soaking

- 5.4.1 Centrally locate the stem and perforated plate together with a soaking weight on the filter paper.
- 5.4.2 If required, obtain an initial reading for swell at a marked reference point by placing the tripod of the swell gauge on the top of the mould so that the contact point of the dial gauge is in contact with the highest point of the stem. Record the dial gauge reading (r_1) and then remove the swell gauge.
- 5.4.3 Place the mould in the water bath, allowing free access of water to the top and bottom of the specimen. Soak the specimen for 96 ± 4 hours with the water level being maintained above the mould during this period.
- 5.4.4 If required, take a final reading for swell by locating the swell gauge in the same position (Step 5.4.2) on top of the mould. Record the dial gauge reading (r_2) and then remove the swell gauge.
- 5.4.5 Remove the mould from the water bath and tilt the mould to pour off any excess water. Return it to the upright position and allow draining for 15 minutes. Do not disturb the surface of the specimen during the removal of water.
- 5.4.6 Remove the soaking weight and the stem and perforated plate from the mould.
- 5.4.7 Penetrate the specimen as detailed in Subsection 5.7.

5.5 Penetration

- 5.5.1 Centrally locate the two surcharge weights on the compacted sample in the mould.
- 5.5.2 Position the mould on the platen of the CBR machine so that the mould is located centrally under the penetration piston and the piston almost touches the surface of the material.
- 5.5.3 Zero the force measuring device indicator and seat the penetration piston by applying a force of about 45 N (Note 8.10).
- 5.5.4 Zero the force measuring device indicator and penetration gauge (Note 8.11).
- 5.5.5 Commence penetration of the specimen and record the force measuring device indicator readings for every 0.5 mm penetration to a minimum penetration of 7.5 mm.

5.5.6 Remove the mould from the CBR machine. Remove the surcharge weights. Extrude the compacted soil from the mould and obtain any requested final moisture content (w_f) as follows:

- a) For compacted material penetrated in the soaked condition:
 - i. Remove the filter papers and obtain a moisture sample to a depth of 30 mm from the end of the specimen that contains the penetration depression.
 - ii. Obtain a second moisture sample from a uniform section through the entire depth of the remainder of the specimen.
 - iii. Determine the moisture content (w_f) of each sample in accordance with Test Method AS 1289.2.1.1.
- b) For compacted material penetrated in the unsoaked condition:
 - i. Obtain a moisture sample from a uniform section through the entire depth of the specimen.
 - ii. Determine the moisture content (w_f) of the sample in accordance with Test Method AS 1289.2.1.1.

6 Calculations

Calculations shall be as follows:

6.1 Compacted dry density

6.1.1 Calculate the compacted dry density as follows:

$$\rho_d = \frac{100(m_2 - m_1)}{V(100 + w_a)}$$

- where
- | | | |
|----------|---|---|
| ρ_d | = | compacted dry density (t/m ³) |
| m_2 | = | mass of mould, baseplate and compacted material (g) |
| m_1 | = | mass of mould and baseplate (g) |
| V | = | effective volume of mould (cm ³) |
| w | = | compacted moisture content (%) |

6.2 Zero air voids line

6.2.1 Determine at least two moisture content points for the chosen air voids line, from the soil particle density (Note 8.12) by using dry density values corresponding to the lowest and highest values determined in Step 6.1 as follows (Note 8.13):

$$w = \frac{100 - V_a}{\rho_d} - \frac{100}{\rho_s}$$

- where
- | | | |
|-------|---|---|
| w | = | moisture content, expressed as a percentage of the mass of dry material |
| V_a | = | volume of chosen air voids, expressed as a percentage of the volume of undried material |

$$\rho_d = \text{dry density of material (t/m}^3\text{)}$$

$$\rho_s = \text{soil particle density (t/m}^3\text{)}$$

6.3 Swell

6.3.1 If the measurement of swell is required, calculate it for each specimen as follows:

$$S = \left(\frac{r_2 - r_1}{117} \right) 100$$

where S = swell (%)

r_2 = final dial gauge reading (mm)

r_1 = initial dial gauge reading (mm)

6.4 Bearing ratio

Determine the bearing ratio at 2.5 mm and 5.0 mm penetration for each specimen as follows:

- 6.4.1 Convert the force indicator readings to applied forces in newtons using the appropriate calibration for the force measuring device (Note 8.14).
- 6.4.2 Plot the applied forces against the corresponding penetration values and draw a smooth curve through the points.
- 6.4.3 When the force-penetration curve commences with a concave upward portion (refer to Figure 1 and Note 8.15), adjust the penetration scale as follows:
- Draw a tangent through the steepest part of the curve to intersect the penetration axis.
 - The intercept with the penetration (x) axis is the new origin provided its value does not exceed 0.5 mm.
 - Where the intercept exceeds 0.5 mm, the new origin is 0.5 mm.
 - Adjust the 2.5 mm and 5.0 mm values in relation to the re-designated origin.
- 6.4.4 Determine the values of applied force ($f_{2.5}$ and $f_{5.0}$) corresponding to the adjusted 2.5 mm and 5.0 mm penetrations.
- 6.4.5 Calculate the bearing ratio at 2.5 mm and 5.0 mm penetrations and record these ratios as $CBR_{2.5}$ and $CBR_{5.0}$ as follows:

$$CBR_{2.5} = \frac{f_{2.5} 100}{13200}$$

$$CBR_{5.0} = \frac{f_{5.0} 100}{19800}$$

where $CBR_{2.5}$ = California Bearing Ratio corresponding to 2.5 mm penetration (%)

$CBR_{5.0}$ = California Bearing Ratio corresponding to 5.0 mm penetration (%)

$f_{2.5}$ = applied force corresponding to 2.5 mm penetration (N)

$f_{5.0}$ = applied force corresponding to 5.0 mm penetration (N)

6.5 California Bearing Ratio

- 6.5.1 Plot the compacted dry densities for the compacted specimens against their corresponding compacted moisture contents.
- 6.5.2 Plot the zero air voids data (corresponding to compacted dry densities and compacted moisture contents) on the same graph used in Step 6.5.1 and draw a straight line through the points.
- 6.5.3 Draw a smooth curve of best fit through the data points plotted in Step 6.5.1 with the wet leg of the curve tending parallel to the zero air voids line.
- 6.5.4 Plot the bearing ratios of the compacted specimens on a logarithmic scale against their corresponding compacted moisture contents on a linear scale.
- 6.5.5 Draw one smooth curve through bearing ratios corresponding to 2.5 mm penetration and draw another smooth curve through bearing ratios corresponding to 5.0 mm penetration.
- 6.5.6 Determine the bearing ratios corresponding to the peak of the compacted dry density versus compacted moisture content curve and record as CBR 2.5 mm and CBR 5.0 mm respectively.
- 6.5.7 Determine the peak compacted dry density and record as the CBR MDD. Determine the compacted moisture content corresponding to the peak dry density and record as the CBR OMC.

7 Reporting

- 7.1 The following shall be reported:
 - 7.1.1 A tabulation of compacted moisture content (refer to Test Method AS 1289.2.1.1) and compacted dry density to the nearest 0.01 t/m^3 , together with the bearing ratio at 2.5 mm penetration and the bearing ratio at 5.0 mm penetration for each specimen.
 - 7.1.2 A graph of compacted dry density versus compacted moisture content together with a plot of the zero air voids line or assumed zero air voids line.
 - 7.1.3 A graph of bearing ratio versus compacted moisture content.
 - 7.1.4 The dry density corresponding to the maximum point on the compacted dry density/moisture content curve as the CBR MDD to the nearest 0.01 t/m^3 .
 - 7.1.5 The percentage moisture content corresponding to the CBR MDD on the compacted dry density/moisture content curve as the CBR OMC to the nearest 0.5%.
 - 7.1.6 CBR 2.5 mm and CBR 5.0 mm (refer to Table 4).
 - 7.1.7 The material CBR value which is the largest numerical value of either CBR 2.5 mm or CBR 5.0 mm (refer to Table 4).
 - 7.1.8 Test condition, that is, soaked or unsoaked.
 - 7.1.9 Duration of curing to the nearest hour.
 - 7.1.10 Method for determining the plasticity level (refer to Table 3), that is, test method, source records or visual/tactile assessment.
 - 7.1.11 The number of this test method, that is Q113A.
- 7.2 The following may be reported:
 - 7.2.1 Swell of each soaked specimen to the nearest 0.1% for values less than 10, otherwise to the nearest 1%.

- 7.2.2 Final moisture content(s) of each specimen after penetration (refer to Test Method AS 1289.2.1.1).
- 7.2.3 The force-penetration graph of the specimen having the compacted moisture content closest to CBR OMC.

8 Notes on method

- 8.1 Calibrate the force measuring device over its complete operating range. This will require further points near to zero in addition to those required by AS 2193.
- 8.2 For each test, select a force measuring device which is Class C for that part of its operating range which corresponds to the forces required to produce plunger penetrations of 2.5 mm and greater.
- 8.3 Where the applied force is measured using a device such as a load transducer, the penetration gauge may be affixed to the frame of the machine.
- 8.4 A material height gauge, which allows monitoring of the height of compacted material relative to the top of a CBR mould, can be made from a steel bar as follows:
 - 8.4.1 Commencing at one end of the bar, measure and mark distances of:
 - a) 39 mm and 34 mm for the acceptable range of the second layer, and
 - b) 78 mm and 73 mm for the acceptable range of the first layer.
- 8.5 Before handling oil, the operator should consult the relevant SDS.
- 8.6 As a guide, test portions can vary from 5500 g for a clay to 7000 g for a gravel.
- 8.7 In order to straddle optimum moisture content, it may be necessary to remove water from one or more test portions by air drying or oven drying at 45 to 50°C.
- 8.8 Suitable intervals for moisture increments range from 1% for a gravel to 2 to 3% for a clay.
- 8.9 Where the liquid limit has not been determined as detailed in Test Methods Q104A or Q104D, source records use an estimate based on a visual/tactile assessment for estimating the curing time for the CBR test portions.
- 8.10 In some very weak materials where the seating load causes significant penetration, this step can be omitted provided this variation to the method is reported.
- 8.11 Where zeroing the force measuring device indicator will invalidate the calibration of the device, do not zero the indicator and record the indicator reading as the seating deflection.
- 8.12 Obtain the value of the material's soil particle density for calculating the air voids lines using the method described in AS 1289.3.5.1 or assume based on previous tests. A rough check on the material soil particle density is to select the dry density and moisture content of the wettest data point, nominate a percent air voids (2% often gives a satisfactory result) and calculate an soil particle density as follows:

$$\rho_s = \frac{100\rho_d}{(100-V_a) - \rho_d w}$$

- where
- ρ_s = soil particle density (t/m³)
 - ρ_d = dry density of material (t/m³)

- V_a = nominated air voids (%)
 W = moisture content expressed as a percentage of the mass of dry material

The material's soil particle density so derived is the assumed value.

- 8.13 Appropriate values of calculated dry density are the smallest and largest scale values used on the graph of calculated dry density versus initial moisture content.
- 8.14 Where the force measuring device indicator was not zeroed after the application of the seating load. Convert the seating deflection to applied force in newtons and subtract from each of the calculated values of applied force.
- 8.15 This characteristic may be due to surface irregularities, material behaviour or other causes.

Table 1 – Dimensions and tolerances for CBR equipment

Apparatus	Dimension	Tolerance
CBR machine		
Platen travel rate – loaded (mm/min)	1	± 0.2
Penetration piston		
Diameter (mm)	49.6	± 0.1
Mould		
Internal diameter (mm)	152	± 1
Height (mm)	178	± 1
Perforated baseplate		
Hole number	28	+5, -0
Hole diameter (mm)	3	± 0.2
Spacer disc		
Diameter (mm)	150	± 0.5
Height (mm)	61	± 0.25
Stem and perforated plate		
Diameter (mm)	150	± 0.5
Mass (g)	1000	± 25
Hole number	42	± 0
Hole diameter (mm)	3	± 0.2
Soaking weight		
Mass (g)	4500	± 50
Surcharge weight		
Mass (g)	2250	± 25
Diameter (mm)	150	± 0.5
Levelling plate		
Diameter (mm)	151	0, -1
Height (mm)	20	minimum

Table 2 – Dimensions and tolerances for rammers

Apparatus	Dimension	Tolerance
Rammer – standard		
Face diameter (mm)	50	± 0.4
Drop (mm)	300	± 2.0
Mass (g)	2700	± 10

Table 3 – Minimum curing time

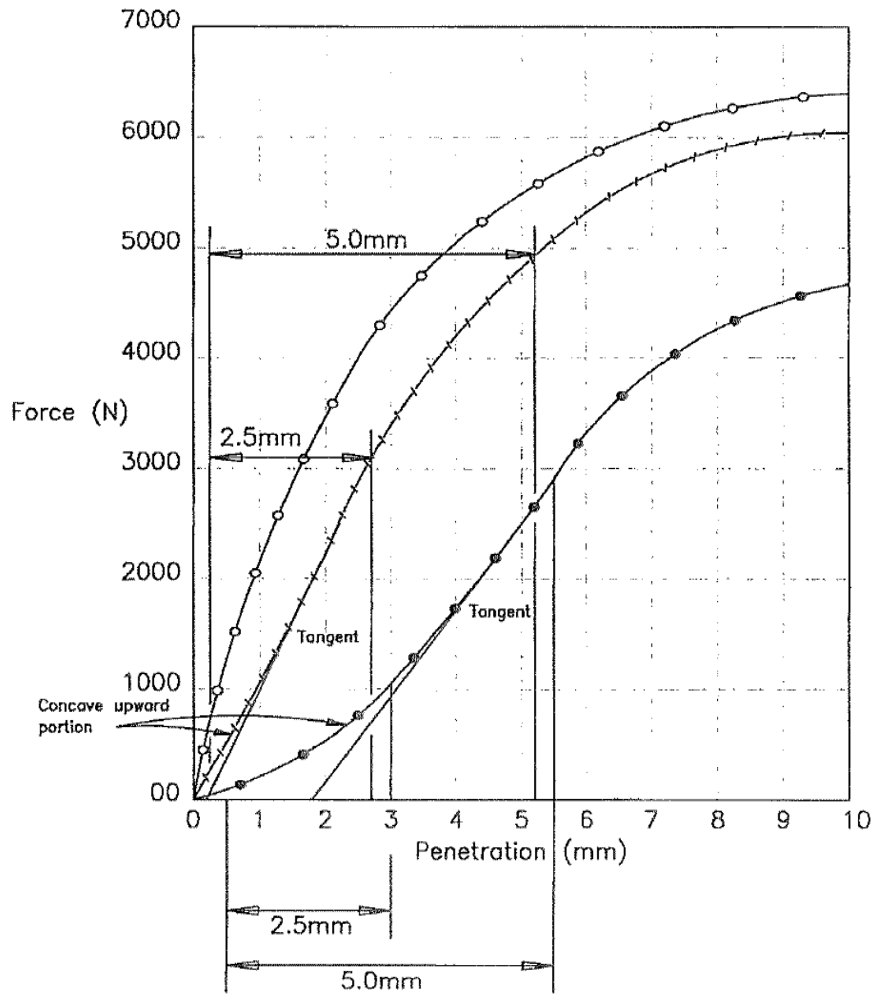
Plasticity	Minimum curing time (hours)
Sands and unbound material*	2
Low (LL ≤ 35%)	48
Medium (35 < LL ≤ 50%)	96 (4 days)
High (LL > 50%)	168 (7 days)

* These can include naturally occurring sands and gravels, crushed rocks and manufactured materials with a fines (< 0.075 mm) content less than 12%.

Table 4 – Reporting intervals for CBR

CBR (%)	Reporting interval
≤ 5	nearest 0.5
>5 to ≤20	nearest 1
>20 to ≤50	nearest 5
> 50	nearest 10

Figure 1 – Typical force – penetration curves showing the determination of new penetration origins



- ——— No concave upward portion hence no new penetration origin
- × ——— New penetration origin at 0.2mm
- ——— New penetration origin at 0.5mm (since intercept with X axis exceeds 0.5mm) and consequent adjustments to penetration scale.

Test Method Q113B: California Bearing Ratio of soil – modified

1 Source

This method applies the principles of AS 1289.6.1.1: Determination of the California Bearing Ratio of a soil for a remoulded specimen. It differs from this standard in that it uses multiple specimens and limits the amount of correction which can be applied to the force – penetration curve to 0.5 mm. There are also a number of minor changes to apparatus requirements.

2 Scope

This method describes the procedure for determining the CBR. It is applicable to soil, gravel or crushed rock materials. California Bearing Ratio is defined as the ratio of the force required to cause a circular plunger of 1932 mm² area to penetrate the material for a specified distance expressed as a percentage of a standard force. The standard forces used in this method are 13,200 and 19,800 newtons for penetrations of 2.5 and 5.0 mm respectively.

Test specimens are prepared from passing 19.0 mm material, cured at a range of moisture contents and compacted using a modified compactive effort of 2703 kJ/m³. They are then tested either in a soaked or unsoaked condition. The method allows for the determination of CBR MDD and CBR OMC, as well as the optional determination of swell and post penetration moisture content. Neither CBR MDD nor CBR OMC may be used for compaction control. The CBR of the material is determined at CBR OMC.

3 Apparatus

Where appropriate, the working tolerances of particular apparatus are contained in Tables 1 and 2.

The following apparatus is required:

- 3.1 CBR machine, fitted with the following:
 - a) a moveable lower platen that travels at a uniform vertical upward rate of 1 mm/min when measured loaded
 - b) force measuring device, equipped with an indicator resolution not exceeding 25 newtons (Notes 8.1 and 8.2)
 - c) penetration piston, having a diameter of 49.6 mm and about 190 mm long, having provision for affixing a suitable penetration gauge (Note 8.3), and
 - d) penetration gauge, such as a dial gauge with a resolution of 0.01 mm and a travel of 25 mm, or a displacement transducer of at least equal performance.
- 3.2 Mould assembly, comprising a cylindrical metal mould having an internal diameter of 152 mm and a height of 178 mm, two detachable baseplates and a removable collar having a height of about 60 mm which can be firmly attached to the mould. One baseplate (perforated baseplate) should have 28 x 3 mm diameter holes uniformly distributed over the area of the plate.
- 3.3 Spacer disc, having a diameter of 150 mm and a height of 61 mm.
- 3.4 Stem and perforated plate, having a diameter of 150 mm, mass of 1000 g and with 42 x 3 mm diameter holes uniformly distributed over the plate.

- 3.5 Soaking weight, having a mass of 4500 g and a diameter of approximately 150 mm, with a centre hole of approximately 55 mm diameter. The surface of the weight in contact with the perforated plate is to be centrally recessed to a minimum depth of 2 mm for a diameter of approximately 120 mm.
- 3.6 Surcharge weights, two metal weights each having a mass of 2250 g and a diameter of 150 mm, with a centre hole of approximately 55 mm diameter.
- 3.7 Swell gauge, consisting of a tripod and a suitable gauge, for example, a dial gauge with a resolution of 0.01 mm and a travel of 25 mm.
- 3.8 Balance of suitable capacity, having a resolution of at least 1 g and with a limit of performance within the range of ± 5 g.
- 3.9 Rammer, a metal rammer having a 50 mm diameter face, a drop mass of 4900 g and a drop height of 450 mm. Alternatively use a mechanical compactor, provided it meets the essential requirements of drop height, mass and energy input. A mechanical compactor may be used provided the essential dimensions are adhered to and the rammer has a free vertical fall of the correct height with blows being uniformly distributed and in keeping with any prescribed cycle of blows. The design of the compactor allows attachment of the mould to a level and rigid support base. The difference between maximum dry density determinations using manual or mechanical compaction is less than 2%.
- 3.10 Sieves, 19.0 mm and 9.50 mm conforming with ISO 3310.
- 3.11 Water bath, of sufficient depth to immerse the moulded specimen in water.
- 3.12 Level and rigid foundation upon which to compact the specimen, for example, a 100 mm thick sound concrete floor or a concrete block of at least 100 kg mass.
- 3.13 Straightedge, made of steel and having the approximate dimensions of length 250 mm, width 25 mm and thickness 3 mm, preferably with a bevelled edge.
- 3.14 Sealable containers, suitable for curing soil samples.
- 3.15 Sample extruder, such as a jack, lever frame or other device suitable for extracting compacted soil specimens from the mould.
- 3.16 Material height gauge. A flat steel bar, about 250 mm long, 25 mm wide and 1-3 mm thick is satisfactory (Note 8.4).
- 3.17 Mixing apparatus, such as a tray, trowel or scoop and water sprayer.

4 Materials

The following materials are required:

- 4.1 Filter paper, a coarse filter paper such as Whatman No.1.
- 4.2 Mould oil, a light mould oil such as Caltex Mould Oil 20 (Note 8.5).

5 Procedure

The procedure shall be as follows:

5.1 Sample preparation

- 5.1.1 Prepare the bulk sample as detailed in Section 5 of Test Method Q101 to produce a representative subsample of appropriate size.

- 5.1.2 Further prepare the material by screening the subsample on a 19.0 mm sieve as detailed in Q101, Steps 6.2.1 to 6.2.3. Ensure that any aggregations are broken up to pass a 9.50 mm sieve. Discard any material retained on the 19.0 mm sieve and thoroughly remix the material passing the 19.0 mm sieve.
- 5.1.3 Prepare four or more representative test portions of the sieved material as detailed in Test Method Q101, Steps 6.2.4 to 6.2.6 of appropriate mass (Note 8.6).
- 5.1.4 Thoroughly mix each test portion in turn with sufficient water so that the range of their moisture contents is judged to straddle optimum moisture content (Note 8.7). The moisture increments between portions shall be essentially equal (Note 8.8).
- 5.1.5 After mixing, place each test portion in a sealed container and allow to cure for an appropriate time for the material (refer to Table 3) (Note 8.9). Record the times of commencement and completion of the curing.
- 5.1.6 Record the method for determining the plasticity level (refer to Table 3), that is, test method or visual/tactile assessment.

5.2 Mould preparation

- 5.2.1 Lightly oil the inside of the mould and then assemble the mould and perforated baseplate.
- 5.2.2 Determine the mass of the mould and perforated baseplate (m_1). When a soaked CBR test is to be performed, add two filter papers to the mould and perforated baseplate.
- 5.2.3 Attach the second baseplate to the mould, invert the mould and remove the perforated baseplate and both filter papers, if added. Insert the spacer disc in the mould and attach the collar to the mould.

5.3 Compaction

- 5.3.1 Spread the cured test portion on the mixing tray and thoroughly remix. Take a representative subsample and determine the compacted moisture content (w) as detailed in Test Method AS 1289.2.1.1.
- 5.3.2 Place sufficient of the mixed test portion in the mould to achieve a mean compacted height within the range of 39 mm to 44 mm.
- 5.3.3 Compact the material in the mould using 88 uniformly distributed blows of the rammer falling freely through its full height.
- 5.3.4 Measure the height of the compacted specimen using the layer depth gauge at a minimum of four locations such that the mean of the measurements is representative of the average height of the specimen. Discard the specimen if its mean height falls outside the range of 39 mm to 44 mm.
- 5.3.5 Repeat Steps 5.3.2 to 5.3.4, except that the mean compacted height of the specimen shall be within the range of 78 mm to 83 mm.
- 5.3.6 Repeat Steps 5.3.2 to 5.3.4, except that the mean compacted height of the specimen shall be within the range of 117 mm to 122 mm.
- 5.3.7 Remove the collar and level the compacted material to the top of the mould by means of the straightedge. Fill any holes developed in the surface due to the removal of coarse material using some of the excess material. When a soaked CBR test is to be performed, place a filter paper on the surface of the compacted material.

- 5.3.8 Reattach the perforated baseplate to the mould and invert the mould. Remove the second baseplate and spacer disc. When a soaked CBR test is to be performed, place a filter paper on the surface of the compacted material.
- 5.3.9 Determine the mass of the mould, perforated baseplate and compacted material (m_2).
- 5.3.10 When testing the compacted material in the soaked condition, soak the compacted material as detailed in Subsection 5.4.
- 5.3.11 When testing the compacted material in the unsoaked condition, penetrate the compacted material as detailed in Subsection 5.5.
- 5.3.12 Prepare additional moulds as detailed in Subsection 5.2 and Subsection 5.3 for the other test portions so that at least four specimens are penetrated. These specimens shall include at least two specimens dry of OMC and shall provide a range of moisture content that straddles OMC and adequately defines the dry density/moisture content relationship under these particular compaction conditions. If necessary, cure, compact and penetrate additional test portions as detailed in Subsections 5.1, 5.3 and 5.5.

5.4 Soaking

- 5.4.1 Centrally locate the stem and perforated plate together with a soaking weight on the filter paper.
- 5.4.2 If required, obtain an initial reading for swell at a marked reference point by placing the tripod of the swell gauge on the top of the mould so that the contact point of the dial gauge is in contact with the highest point of the stem. Record the dial gauge reading (r_1) and then remove the swell gauge.
- 5.4.3 Place the mould in the water bath, allowing free access of water to the top and bottom of the specimen. Soak the specimen for 96 ± 4 hours with the water level being maintained above the mould during this period.
- 5.4.4 If required, take a final reading for swell by locating the swell gauge in the same position (Step 5.4.2) on top of the mould. Record the dial gauge reading (r_2) and then remove the swell gauge.
- 5.4.5 Remove the mould from the water bath and tilt the mould to pour off any excess water. Return it to the upright position and allow draining for 15 minutes. Do not disturb the surface of the specimen during the removal of water.
- 5.4.6 Remove the soaking weight and the stem and perforated plate from the mould.
- 5.4.7 Penetrate the specimen as detailed in Subsection 5.5.

5.5 Penetration

- 5.5.1 Centrally locate the two surcharge weights on the compacted sample in the mould.
- 5.5.2 Position the mould on the platen of the CBR machine so that the mould is located centrally under the penetration piston and the piston almost touches the surface of the material.
- 5.5.3 Zero the force measuring device indicator and seat the penetration piston by applying a force of about 45 N (Note 8.10).
- 5.5.4 Zero the force measuring device indicator and penetration gauge (Note 8.11).
- 5.5.5 Commence penetration of the specimen and record the force measuring device indicator readings for every 0.5 mm penetration to a minimum penetration of 7.5 mm.

5.5.6 Remove the mould from the CBR machine. Remove the surcharge weights. Extrude the compacted soil from the mould and obtain any requested final moisture content (w_f) as follows:

- a) For compacted material penetrated in the soaked condition:
 - i. Remove the filter papers and obtain a moisture sample to a depth of 30 mm from the end of the specimen that contains the penetration depression.
 - ii. Obtain a second moisture sample from a uniform section through the entire depth of the remainder of the specimen.
 - iii. Determine the moisture content (w_f) of each sample in accordance with Test Method AS 1289.2.1.1.
- b) For compacted material penetrated in the unsoaked condition:
 - i. Obtain a moisture sample from a uniform section through the entire depth of the specimen.
 - ii. Determine the moisture content (w_f) of the sample in accordance with Test Method AS 1289.2.1.1.

6 Calculations

Calculations shall be as follows:

6.1 Compacted dry density

6.1.1 Calculate the compacted dry density as follows:

$$\rho_d = \frac{100(m_2 - m_1)}{V(100 + w_a)}$$

- where
- ρ_d = compacted dry density (t/m³)
 - m_2 = mass of mould, baseplate and compacted material (g)
 - m_1 = mass of mould and baseplate (g)
 - V = effective volume of mould (cm³)
 - w = compacted moisture content (%)

6.2 Zero air voids line

6.2.1 Determine at least two moisture content points for the chosen air voids line, from the soil particle density (Note 8.12) by using dry density values corresponding to the lowest and highest values determined in Step 6.1 as follows (Note 8.13):

$$w = \frac{100 - V_a}{\rho_d} - \frac{100}{\rho_s}$$

- where
- w = moisture content, expressed as a percentage of the mass of dry material
 - V_a = volume of chosen air voids, expressed as a percentage of the volume of undried material

- ρ_d = dry density of material (t/m³)
 ρ_s = soil particle density (t/m³)

6.3 Swell

If the measurement of swell is required, calculate it for each specimen as follows:

$$S = \left(\frac{r_2 - r_1}{117} \right) 100$$

- where S = swell (%)
 r_2 = final dial gauge reading (mm)
 r_1 = initial dial gauge reading (mm)

6.4 Bearing ratio

Determine the bearing ratio at 2.5 mm and 5.0 mm penetration for each specimen as follows:

- 6.4.1 Convert the force indicator readings to applied forces in newtons using the appropriate calibration for the force measuring device (Note 8.14).
- 6.4.2 Plot the applied forces against the corresponding penetration values and draw a smooth curve through the points.
- 6.4.3 When the force-penetration curve commences with a concave upward portion (refer to Figure 1 and Note 8.15), adjust the penetration scale as follows:
- draw a tangent through the steepest part of the curve to intersect the penetration axis
 - the intercept with the penetration (x) axis is the new origin provided its value does not exceed 0.5 mm
 - where the intercept exceeds 0.5 mm, the new origin is 0.5 mm
 - adjust the 2.5 mm and 5.0 mm values in relation to the re-designated origin.
- 6.4.4 Determine the values of applied force ($f_{2.5}$ and $f_{5.0}$) corresponding to the adjusted 2.5 mm and 5.0 mm penetrations.
- 6.4.5 Calculate the bearing ratio at 2.5 mm and 5.0 mm penetrations and record these ratios as $CBR_{2.5}$ and $CBR_{5.0}$ as follows:

$$CBR_{2.5} = \frac{f_{2.5} 100}{13200}$$

$$CBR_{5.0} = \frac{f_{5.0} 100}{19800}$$

- where $CBR_{2.5}$ = California Bearing Ratio corresponding to 2.5 mm penetration %
 $CBR_{5.0}$ = California Bearing Ratio corresponding to 5.0 mm penetration %
 $f_{2.5}$ = applied force corresponding to 2.5 mm penetration (N)
 $f_{5.0}$ = applied force corresponding to 5.0 mm penetration (N)

6.5 California Bearing Ratio

- 6.5.1 Plot the compacted dry densities for the compacted specimens against their corresponding compacted moisture contents.
- 6.5.2 Plot the zero air voids data (corresponding to compacted dry densities and compacted moisture contents) on the same graph used in Step 6.5.1 and draw a straight line through the points.
- 6.5.3 Draw a smooth curve of best fit through the data points plotted in Step 6.5.1 with the wet leg of the curve tending parallel to the zero air voids line.
- 6.5.4 Plot the bearing ratios of the compacted specimens on a logarithmic scale against their corresponding compacted moisture contents on a linear scale.
- 6.5.5 Draw one smooth curve through bearing ratios corresponding to 2.5 mm penetration and draw another smooth curve through bearing ratios corresponding to 5.0 mm penetration.
- 6.5.6 Determine the bearing ratios corresponding to the peak of the compacted dry density versus compacted moisture content curve and record as CBR 2.5 mm and CBR 5.0 mm respectively.
- 6.5.7 Determine the peak compacted dry density and record as the CBR MDD. Determine the compacted moisture content corresponding to the peak dry density and record as the CBR OMC.

7 Reporting

- 7.1 The following shall be reported:
 - 7.1.1 A tabulation of compacted moisture content (refer to Test Method AS 1289.2.1.1) and compacted dry density to the nearest 0.01 t/m^3 , together with the bearing ratio at 2.5 mm penetration and the bearing ratio at 5.0 mm penetration for each specimen.
 - 7.1.2 A graph of compacted dry density versus compacted moisture content together with a plot of the zero air voids line or assumed zero air voids line.
 - 7.1.3 A graph of bearing ratio versus compacted moisture content.
 - 7.1.4 The dry density corresponding to the maximum point on the compacted dry density/moisture content curve as the CBR MDD to the nearest 0.01 t/m^3 .
 - 7.1.5 The percentage moisture content corresponding to the CBR MDD on the compacted dry density/moisture content curve as the CBR OMC to the nearest 0.5%.
 - 7.1.6 CBR 2.5 mm and CBR 5.0 mm (refer to Table 4).
 - 7.1.7 The material CBR value which is the largest numerical value of either CBR 2.5 mm or CBR 5.0 mm (Refer to Table 4).
 - 7.1.8 Test condition, that is, soaked or unsoaked.
 - 7.1.9 Duration of curing to the nearest hour.
 - 7.1.10 Method for determining the plasticity level (refer to Table 3), that is, test method or visual/tactile assessment.
 - 7.1.11 The number of this test method, that is Q113B.
- 7.2 The following may be reported:
 - 7.2.1 Swell of each soaked specimen to the nearest 0.1% for values less than 10, otherwise to the nearest 1%.

- 7.2.2 Final moisture content of each specimen after penetration (refer to Test Method AS 1289.2.1.1).
- 7.2.3 The force-penetration graph of the specimen having the compacted moisture content closest to CBR OMC.

8 Notes on method

- 8.1 Calibrate the force measuring device over its complete operating range. This will require further points near to zero in addition to those required by AS 2193.
- 8.2 For each test, select a force measuring device which is Class C for that part of its operating range which corresponds to the forces required to produce plunger penetrations of 2.5 mm and greater.
- 8.3 Where the applied force is measured using a device such as a load transducer, the penetration gauge may be affixed to the frame of the machine.
- 8.4 A material height gauge, which allows monitoring of the height of compacted material relative to the top of a CBR mould, can be made from a steel bar as follows:
 - 8.4.1 Commencing at one end of the bar, measure and mark distances of:
 - a) 39 mm and 34 mm for the acceptable range of the second layer, and
 - b) 78 mm and 73 mm for the acceptable range of the first layer.
- 8.5 Before handling oil, the operator should consult the relevant SDS.
- 8.6 As a guide, test portions can vary from 5500 g for a clay to 7000 g for a gravel.
- 8.7 In order to straddle optimum moisture content, it may be necessary to remove water from one or more test portions by air drying or oven drying at 45 to 50°C.
- 8.8 Suitable intervals for moisture increments range from 1% for a gravel to 2 to 3% for a clay.
- 8.9 Where the liquid limit has not been determined as detailed in Test Methods Q104A or Q104D, source records use an estimate based on a visual/tactile assessment for estimating the curing time for the CBR test portions.
- 8.10 In some very weak materials where the seating load causes significant penetration, this step can be omitted provided this variation to the method is reported.
- 8.11 Where zeroing the force measuring device indicator will invalidate the calibration of the device, do not zero the indicator and record the indicator reading as the seating deflection.
- 8.12 Obtain the value of the material's soil particle density for calculating the air voids lines using the method described in AS 1289.3.5.1 or assume based on previous tests. A rough check on the material soil particle density is to select the dry density and moisture content of the wettest data point, nominate a percent air voids (2% often gives a satisfactory result) and calculate an soil particle density as follows:

$$\rho_{st} = \frac{100\rho_d}{(100-V_a) - \rho_d w}$$

- where ρ_{st} = soil particle density (t/m³)
- ρ_d = dry density of material (t/m³)

V_a = nominated air voids (%)

w = moisture content expressed as a percentage of the mass of dry material

The material's soil particle density so derived is the assumed value.

- 8.13 Appropriate values of calculated dry density are the smallest and largest scale values used on the graph of calculated dry density versus initial moisture content.
- 8.14 Where the force measuring device indicator was not zeroed after the application of the seating load. Convert the seating deflection to applied force in newtons and subtract from each of the calculated values of applied force.
- 8.15 This characteristic may be due to surface irregularities, material behaviour or other causes.

Table 1 – Dimensions and tolerances for CBR equipment

Apparatus	Dimension	Tolerance
CBR machine		
Platen travel rate – loaded (mm/min)	1	± 0.2
Penetration piston		
Diameter (mm)	49.6	± 0.1
Mould		
Internal diameter (mm)	152	± 1
Height (mm)	178	± 1
Perforated baseplate		
Hole number	28	+5, -0
Hole diameter (mm)	3	± 0.2
Spacer disc		
Diameter (mm)	150	± 0.5
Height (mm)	61	± 0.25
Stem and perforated plate		
Diameter (mm)	150	± 0.5
Mass (g)	1000	± 25
Hole number	42	± 0
Hole diameter (mm)	3	± 0.2
Soaking weight		
Mass (g)	4500	± 50
Surcharge weight		
Mass (g)	2250	± 25
Diameter (mm)	150	± 0.5
Levelling plate		
Diameter (mm)	151	0, -1
Height (mm)	20	minimum

Table 2 – Dimensions and tolerances for rammers

Apparatus	Dimension	Tolerance
Rammer – standard		
Face diameter (mm)	50	± 0.4
Drop (mm)	450	± 2.0
Mass (g)	4900	± 10

Table 3 – Minimum curing time

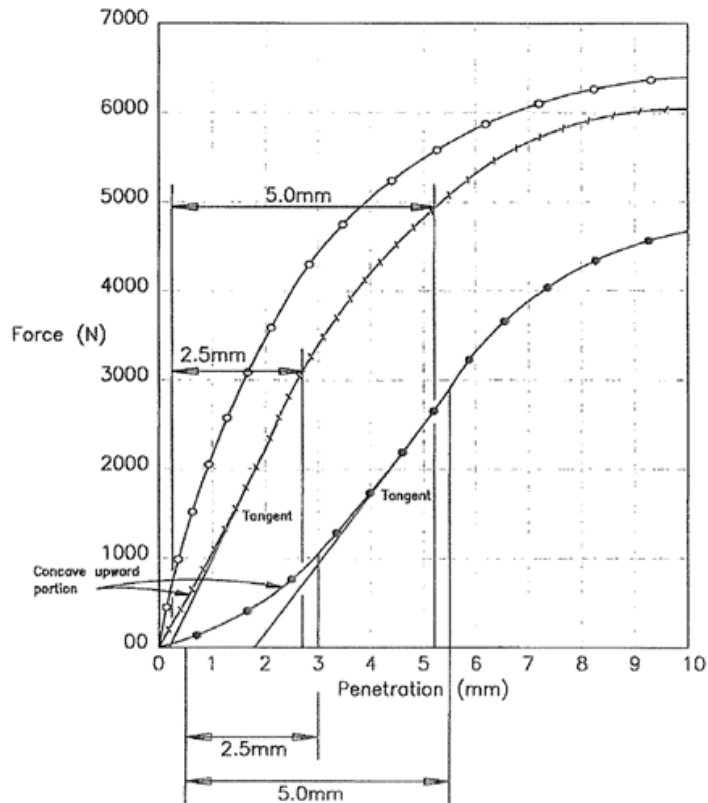
Plasticity	Minimum curing time (hours)
Sands and unbound material*	2
Low (LL ≤ 35%)	48
Medium (35 < LL ≤ 50%)	96 (4 days)
High (LL > 50%)	168 (7 days)

* These can include naturally occurring sands and gravels, crushed rocks and manufactured materials with a fines (< 0.075 mm) content less than 12%.

Table 4 – Reporting intervals for CBR

CBR (%)	Reporting interval
≤ 5	nearest 0.5
> 5 to ≤ 20	nearest 1
> 20 to ≤ 50	nearest 5
> 50	nearest 10

Figure 1 – Typical force – penetration curves showing the determination of new penetration origins



- — ○ — No concave upward portion hence no new penetration origin
- x — New penetration origin at 0.2mm
- — ● — New penetration origin at 0.5mm (since intercept with X axis exceeds 0.5mm) and consequent adjustments to penetration scale.

Test Method Q113C: California Bearing Ratio of soil at nominated levels of dry density and moisture content

1 Source

This method applies the principles of AS 1289.6.1.1: *Determination of the California Bearing Ratio* of a soil for a remoulded specimen. It differs from this standard in that it requires taking compaction moisture samples only before the commencement of compaction and limits the applied correction to the force – penetration curve to 0.5 mm. There is also provision to allow for a longer soaking period. There are also a number of minor changes to apparatus requirements.

2 Scope

This method sets out the procedure for the single point determination of the CBR of soils used for estimating design subgrade strength. California Bearing Ratio is the ratio of the force required to cause a circular plunger of 1932 mm² area to penetrate the material for a specified distance, expressed as a percentage of a standard force. The standard forces used in this method are 13,200 and 19,800 newtons for penetrations of 2.5 and 5.0 mm respectively.

Prepare test specimens by compacting passing 19.0 mm material to a nominated dry density and moisture content using standard or modified compactive effort in accordance with Test Method Q145A. They are then tested either in a soaked or unsoaked condition. The duration of soaking can be either 4 or 10 days.

3 Apparatus

Where appropriate, the working tolerances of particular apparatus are contained in Tables 1 and 2.

The following apparatus is required:

- 3.1 CBR machine, fitted with the following:
 - a) a moveable lower platen that travels at a uniform vertical upward rate of 1 mm/min when measured loaded
 - b) force measuring device, equipped with an indicator resolution not exceeding 25 newtons (Notes 8.1 and 8.2)
 - c) penetration piston, having a diameter of 49.6 mm and about 190 mm long, having provision for affixing a suitable penetration gauge (Note 8.3), and
 - d) penetration gauge, such as a dial gauge with a resolution of 0.01 mm and a travel of 25 mm, or a displacement transducer of at least equal performance.
- 3.2 Mould assembly, comprising a cylindrical metal mould having an internal diameter of 152 mm and a height of 178 mm, two detachable baseplates and a removable collar having a height of about 60 mm. One baseplate (perforated baseplate) should have 28 x 3 mm diameter holes uniformly distributed over the area of the plate.
- 3.3 Spacer disc, having a diameter of 150 mm and a height of 61 mm.
- 3.4 Stem and perforated plate, having a diameter of 150 mm, mass of 1000 g and with 42 x 3 mm diameter holes uniformly distributed over the plate.

- 3.5 Soaking weight, having a mass of 4500 g and a diameter of approximately 150 mm, with a centre hole of approximately 55 mm diameter. The surface of the weight in contact with the perforated plate is to be centrally recessed to a minimum depth of 2 mm for a diameter of approximately 120 mm.
- 3.6 Surcharge weights, two metal weights each having a mass of 2250 g and a diameter of 150 mm, with a centre hole of approximately 55 mm diameter.
- 3.7 Swell gauge, consisting of a tripod and a suitable gauge, for example, a dial gauge with a resolution of 0.01 mm and a travel of 25 mm.
- 3.8 Balance of suitable capacity, having a resolution of at least 1 g and with a limit of performance within the range of ± 5 g.
- 3.9 Steel rammer, having a 50 mm diameter face. For standard compactive effort, a rammer with a drop mass of 2700 g and a drop height of 300 mm. For modified compactive effort, a rammer with a drop mass of 4900 g and a drop height of 450 mm.
- 3.10 Sieves, 19.0 mm and 9.50 mm complying with ISO 3310.
- 3.11 Water bath, of sufficient depth to immerse the moulded specimen in water.
- 3.12 Sealable containers, suitable for curing soil samples.
- 3.13 Sample extruder, such as a jack, lever frame or other device suitable for extracting compacted soil specimens from the mould.
- 3.14 Material height gauge. A flat steel bar, about 250 mm long, 25 mm wide and 1-3 mm thick is satisfactory (Note 8.4).
- 3.15 Mixing apparatus, such as a tray, trowel or scoop and water sprayer.

4 Materials

The following materials are required:

- 4.1 Filter paper, a coarse filter paper such as Whatman No. 1.

5 Procedure

The procedure shall be as follows:

5.1 Sample Preparation

- 5.1.1 Prepare the bulk sample as detailed in Section 5 of Test Method Q101 to produce a representative subsample of appropriate size.
- 5.1.2 Further prepare the material by screening the subsample on a 19.0 mm sieve as detailed in Q101, Steps 6.2.1 to 6.2.3. Ensure that any aggregations are broken up to pass a 9.50 mm sieve. Discard any material retained on the 19.0 mm sieve and thoroughly remix the material passing the 19.0 mm sieve.
- 5.1.3 Prepare representative test portions of the sieved material as detailed in Test Method Q101, Steps 6.2.4 to 6.2.6 as follows:
 - a) One test portion for hygroscopic moisture content, and
 - b) The required number of test portions for compaction and determine the mass of each test portion (m_1) (Note 8.5).

- 5.1.4 Determine the hygroscopic moisture content (w_1) of the test portion prepared in Step 5.1.3 a) as detailed in Test Method AS 1289.2.1.1.
- 5.1.5 If the OMC and MDD are not known, prepare and test additional test portions as detailed in the relevant test method from Test Methods Q142A or Q142B as appropriate (Note 8.6) using the specified curing time for the material (Table 3).

5.2 Curing

- 5.2.1 For each test portion calculate the dry mass of material as follows:

$$m_2 = \frac{100m_1}{100+w_1}$$

- where m_2 = mass of dry material in test portion (g)
 m_1 = mass of wet material in test portion (g)
 w_1 = hygroscopic moisture content (%)

- 5.2.2 Using the procedure detailed in Test Method Q145A, calculate the target compaction moisture content (w_2) to achieve the nominated relative compaction and nominated relative moisture content.
- 5.2.3 For each test portion calculate the mass of mixing water to be added as follows:

$$m_3 = \frac{(m_2 w_2)}{100} - (m_1 - m_2)$$

- where m_3 = mass of mixing water to be added (g)
 m_2 = mass of dry material in test portion (g)
 w_2 = target compaction moisture content (%)
 m_1 = mass of wet material in test portion (g)

- 5.2.4 Measure out the required mass of mixing water to be added (m_3).
- 5.2.5 Spread out the test portion on the mixing tray, add the mixing water to the material in small increments and combine thoroughly to form a uniform mixture (Note 8.7).
- 5.2.6 After mixing, place the mixture into a curing container. Cure for the time specified time for the material (refer to Table 3) (Note 8.8). Use the hygroscopic moisture content (w_1) determined in Step 5.1.4 and the target compaction moisture content (w_2) determined in Step 5.2.2 to determine the curing time. Record the times of commencement and completion of the curing.

5.3 Compaction

- 5.3.1 Undertake all necessary calculations, mould preparation and compaction of the test portion as detailed in Test Method Q145A. For portions requiring standard compaction, the test portion will be compacted in three layers. For portions requiring modified compaction, the test portion will be compacted in five layers.
- 5.3.2 When testing the compacted material in the soaked condition, soak the compacted material as detailed in Subsection 5.4.

5.3.3 When testing the compacted material in the unsoaked condition, penetrate the compacted material as detailed in Subsection 5.5.

5.4 Soaking

5.4.1 Place a filter paper on the compacted material. Centrally locate the stem and perforated plate together with a soaking weight on the filter paper.

5.4.2 Obtain an initial reading at a marked reference point by placing the tripod of the swell gauge on the top of the mould so that the contact point of the dial gauge is in contact with the highest point of the stem. Record the dial gauge reading (r_1) before removing the swell gauge.

5.4.3 Place the mould in the water bath, allowing free access of water to the top and bottom of the specimen. Soak the specimen for:

- a) 96 ± 4 hours (Note 8.9), or
- b) 240 ± 4 hours (Note 8.10).

Maintaining the water level above the mould during this period.

5.4.4 Take a final reading by locating the swell gauge in the same position as previously (Step 5.4.2) on top of the mould. Record the dial gauge reading (r_2) before removing the swell gauge.

5.4.5 Remove the mould from the water bath and tilt the mould to pour off any excess water. Return it to the upright position and allow draining for 15 minutes. Do not disturb the surface of the specimen during the removal of water.

5.4.6 Remove the soaking weight and the stem and perforated plate from the mould.

5.4.7 Penetrate the specimen as detailed in Subsection 5.5.

5.5 Penetration

5.5.1 Centrally locate the two surcharge weights on the compacted sample in the mould.

5.5.2 Position the mould on the platen of the CBR machine so that the mould is located centrally under the penetration piston and the piston almost touches the surface of the material.

5.5.3 Zero the force measuring device indicator and seat the penetration piston by applying a force of about 45 N (Note 8.11).

5.5.4 Zero the force measuring device indicator and penetration gauge (Note 8.12).

5.5.5 Commence the penetration of the specimen and record the force measuring device indicator readings for every 0.5 mm penetration to a minimum penetration of 7.5 mm.

5.5.6 Remove the mould from the CBR machine. Remove the surcharge weights. Extrude the compacted soil from the mould and obtain the final moisture content (FMC) as follows:

- a) For compacted material penetrated in the soaked condition:
 - i. Remove the filter papers and obtain a moisture sample to a depth of 30 mm from the end of the specimen that contains the penetration depression.
 - ii. Obtain a second moisture sample from a uniform section through the entire depth of the remainder of the specimen.
 - iii. Determine the moisture content (FMC) of each sample in accordance with Test Method AS 1289.2.1.1.

- b) For compacted material penetrated in the unsoaked condition:
 - i. Obtain a moisture sample from a uniform section through the entire depth of the specimen.
 - ii. Determine the moisture content (FMC) of the sample in accordance with Test Method AS 1289.2.1.1.

6 Calculations

Calculations shall be as follows:

- 6.1 Calculate the achieved compacted dry density and achieved relative compaction as detailed in Test Method Q145A.
- 6.2 Compare the achieved compacted dry density and target compacted dry density. If they differ by more than 0.02 t/m³, repeat the test.
- 6.3 Calculate the achieved compaction moisture content and the achieved percentage of OMC as detailed in Test Method Q145A.
- 6.4 Compare the achieved compaction moisture content and the target compaction moisture content. If they differ by more than 1.0%, repeat the test.
- 6.5 Calculate the swell (Note.8.9) as follows:

$$S = \frac{r_2 - r_1}{117} \times 100$$

- where S = swell (%)
- r₂ = final dial gauge reading (mm)
- r₁ = initial dial gauge reading (mm)

- 6.6 Calculate the bearing ratio at 2.5 mm and 5.0 mm penetration as follows:
 - 6.6.1 Convert the force indicator readings to applied forces in newtons using the appropriate calibration for the force measuring device (Note 8.13).
 - 6.6.2 Plot the applied forces against the corresponding penetration values and draw a smooth curve through the points.
 - 6.6.3 When the force-penetration curve commences with a concave upward portion (refer to Figure 1 and Note 8.14), adjust the penetration scale as follows:
 - a) Draw a tangent through the steepest part of the curve to intersect the penetration axis.
 - b) The intercept with the penetration (x) axis is the new origin provided its value does not exceed 0.5 mm.
 - c) Where the intercept exceeds 0.5 mm, the new origin is 0.5 mm.
 - d) Adjust the 2.5 mm and 5.0 mm values in relation to the re-designated origin.
 - 6.6.4 Determine the values of applied force (f_{2.5} and f_{5.0}) corresponding to the adjusted 2.5 mm and 5.0 mm penetrations.

- 6.6.5 Calculate the bearing ratio at 2.5 mm and 5.0 mm penetrations and record these ratios as $CBR_{2.5}$ and $CBR_{5.0}$ as follows:

$$CBR_{2.5} = \frac{f_{2.5} \times 100}{13200}$$

$$CBR_{5.0} = \frac{f_{5.0} \times 100}{19800}$$

- where $CBR_{2.5}$ = California Bearing Ratio corresponding to 2.5 mm penetration (%)
 $CBR_{5.0}$ = California Bearing Ratio corresponding to 5.0 mm penetration (%)
 $f_{2.5}$ = applied force corresponding to 2.5 mm penetration (N)
 $f_{5.0}$ = applied force corresponding to 5.0 mm penetration (N)

7 Reporting

The following shall be reported:

- 7.1 The target compacted dry density to the nearest 0.01 t/m³ and if required the nominated relative compaction to the nearest 0.5%.
- 7.2 The target compaction moisture content (refer to Test Method AS 1289.2.1.1) and if required the nominated relative moisture content as a percentage of OMC to the nearest 1%.
- 7.3 The achieved compacted dry density and compaction moisture content as detailed in Test Method Q145A.
- 7.4 If required, the achieved relative compaction and achieved percentage of OMC content as detailed in Test Method Q145A.
- 7.5 $CBR_{2.5}$ and $CBR_{5.0}$ (refer to Table 4).
- 7.6 The material CBR value which is the largest numerical value of either $CBR_{2.5}$ or $CBR_{5.0}$ (refer to Table 4).
- 7.7 Test condition, that is, soaked or unsoaked.
- 7.8 Duration of soaking, that is, 4 or 10 days.
- 7.9 Swell to the nearest 0.1% for values less than 10%, otherwise to the nearest 1%.
- 7.10 Moisture content after penetration of the penetrated end of the specimen and the moisture content of the remainder of any soaked specimen (refer to Test Method AS 1289.2.1.1).
- 7.11 Moisture content after penetration for any unsoaked specimen.
- 7.12 The force-penetration graph of the specimen (optional).
- 7.13 Duration of curing to the nearest hour.
- 7.14 Method for determining the plasticity level (refer to Table 3), that is, test method, source records or visual/tactile assessment.
- 7.15 The number of this test method, that is Q113C.

8 Notes on method

- 8.1 Calibrate the force measuring device over its complete operating range. This will require further points near to zero in addition to those required by AS 2193.
- 8.2 A force measuring device is to be used which is at least Class C as defined in AS 2193 for that part of its operating range which corresponds to the forces required to produce plunger penetrations of 2.5 mm and greater.
- 8.3 Where the applied force is measured using a device such as a load transducer, the penetration gauge may be affixed to the frame of the machine.
- 8.4 A material height gauge, which allows monitoring of the height of compacted material relative to the top of a CBR mould, can be made from a steel bar as follows:
- 8.4.1 CBR Mould – Standard (Std) compaction.
Commencing at one end of the bar, measure and mark distances of:
- a) 39 mm and 34 mm for the acceptable range of the second layer, and
 - b) 78 mm and 73 mm for the acceptable range of the first layer.
- 8.4.2 CBR Mould – Modified (Mod) compaction.
Commencing at one end of the bar, measure and mark distances of:
- a) 20 mm and 25 mm for the acceptable range of the fourth layer
 - b) 50 mm and 45 mm for the acceptable range of the third layer
 - c) 72 mm and 67 mm for the acceptable range of the second layer, and
 - d) 96 mm and 91 mm for the acceptable range of the first layer.
- 8.4.3 Mark each face with the appropriate compactive effort (Std or Mod).
- 8.5 Test portions can vary from 5500 g for a clay to 7000 g for a gravel.
- 8.6 If required for this test determine the optimum moisture content and maximum dry density as detailed in Test Methods Q142A or Q142B using passing 19.0 mm material and a Type A mould.
- 8.7 It is important to mix water thoroughly into the material and the test portion cured for sufficient time to allow the even distribution of water throughout the material.
- 8.8 Where the liquid limit has not been determined as detailed in Test Methods Q104A or Q104D, source records use an estimate based on a visual/tactile assessment for estimating the curing time for the CBR test portions.
- 8.9 If not specified, use a soaking period of 96 hours.
- 8.10 The specification of 10 day (240 hours) soaked conditions and swell measurement are in the Department of Transport and Main Roads, *Pavement Design Supplement*.
- 8.11 In some very weak materials where the seating load causes significant penetration. Omit this step provided this variation to the method is reported.
- 8.12 Where zeroing the force measuring device indicator will invalidate the calibration of the device, do not zero the indicator and record the indicator reading as the seating deflection.

- 8.13 Where the force measuring device indicator was not zeroed after the application of the seating load. Convert the seating deflection to applied force in newtons and subtract from each of the calculated values of applied force.
- 8.14 This characteristic may be due to surface irregularities, material behaviour or other causes.

Table 1 – Dimensions and tolerances for CBR equipment

Apparatus	Dimension	Tolerance
CBR machine		
Platen travel rate – loaded (mm/min)	1	± 0.2
Penetration piston		
Diameter (mm)	49.6	± 0.1
Mould		
Internal diameter (mm)	152	± 1
Height (mm)	178	± 1
Perforated baseplate		
Hole number	28	+5, -0
Hole diameter (mm)	3	± 0.2
Spacer disc		
Diameter (mm)	150	± 0.5
Height (mm)	61	± 0.25
Stem and perforated plate		
Diameter (mm)	150	± 0.5
Mass (g)	1000	± 25
Hole number	42	± 0
Hole diameter (mm)	3	± 0.2
Soaking weight		
Mass (g)	4500	± 50
Surcharge weight		
Mass (g)	2250	± 25
Diameter (mm)	150	± 0.5
Levelling plate		
Diameter (mm)	151	0, -1
Height (mm)	20	minimum

Table 2 – Dimensions and tolerances for rammers

Apparatus	Dimension	Tolerance
Rammer – standard		
Face diameter (mm)	50	± 0.4
Drop (mm)	300	± 2.0
Mass (g)	2700	± 10
Rammer - modified		
Face diameter (mm)	50	± 0.4
Drop (mm)	450	± 2.0
Mass (g)	4900	± 10

Table 3 – Minimum curing time

Plasticity	Condition of prepared test portion	
	Sample moisture content within $w_2 \pm 2\%$	Sample moisture content outside $w_2 \pm 2\%$
Sands and granular material*	2 h	2 h
Low (LL ≤ 35%)	24 h	48 h
Medium (35 < LL ≤ 50%)	48	96 h (4 days)
High (LL > 50%)	96 h (4 days)	168 h (7 days)

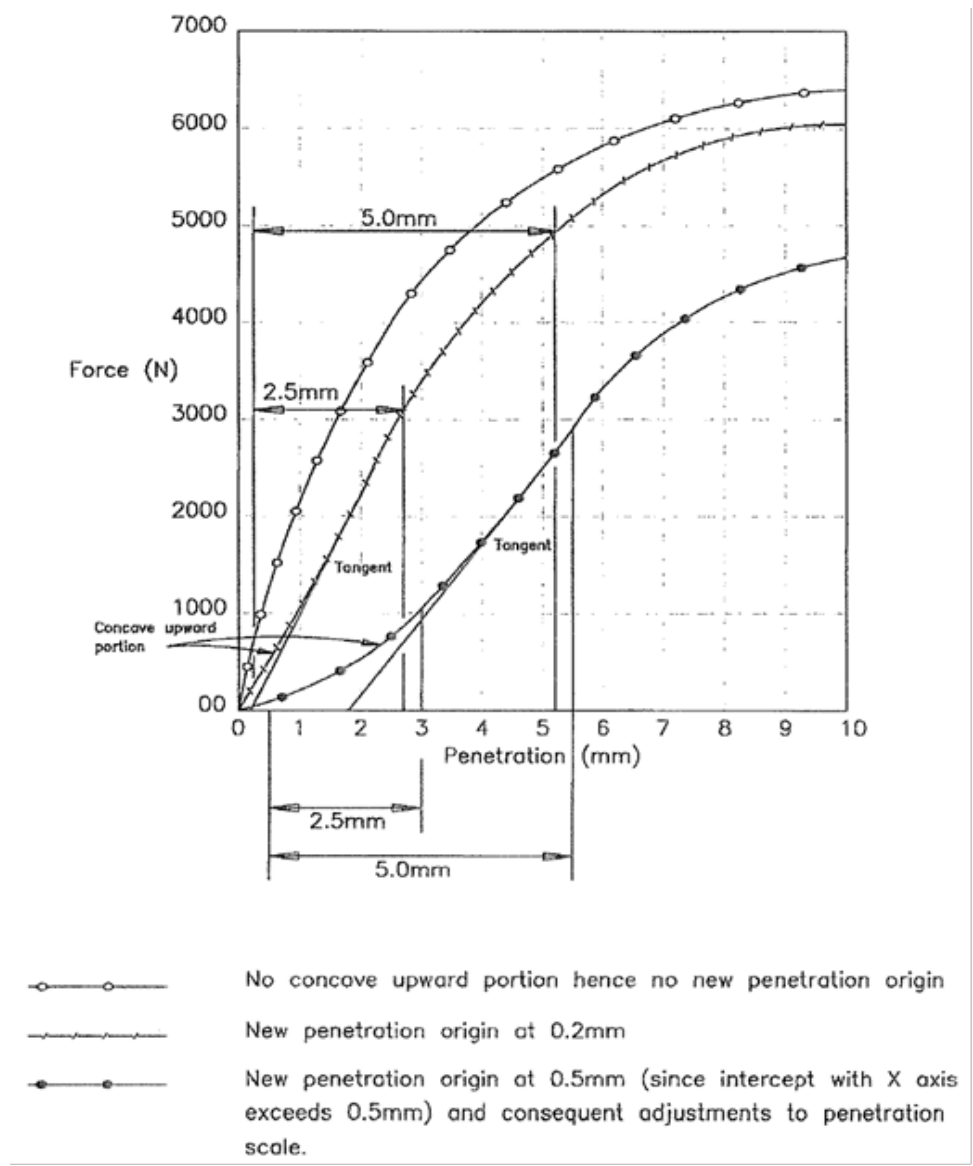
* These can include naturally occurring sands and gravels, crushed rocks and manufactured materials with a fines (< 0.075 mm) content typically less than 12% and low plasticity.

w_2 = target compaction moisture content.

Table 4 – Reporting intervals for CBR

CBR (%)	Reporting interval
≤ 5	nearest 0.5
> 5 to ≤ 20	nearest 1
> 20 to ≤ 50	nearest 5
> 50	nearest 10

Figure 1 – Typical force – penetration curves showing the determination of new penetration origins



Test Method Q114B: Insitu California Bearing Ratio - dynamic cone penetrometer

1 Source

This method is based on AS 1289.6.3.2: Soil strength and consolidation tests - Determination of the penetration resistance of a soil – 9 kg dynamic cone penetrometer test. There are some minor procedural differences and conversion of results to CBR values rather than number of blows per 25 mm.

The conversion of test data to CBR values is based on A.J. Scala: Simple Methods of Flexible Pavements Design Using Cone Penetrometers; Proceedings Second Aust-New Zealand Conference Soil Mechanics and Foundation Engineering, Christchurch, N.Z., January 1956.

2 Scope

This method sets out the procedure to determine the insitu CBR of soils and fine crushed rock. The method has particular application for fine grained materials since the presence of rock particles, 6 mm and larger, may interfere with the test.

The test gives a continuous record of bearing value with depth below an existing surface, usually without the need to excavate to the depth at which the readings are required.

3 Apparatus

The working tolerances and an example of the standard dynamic cone penetrometer are contained in AS 1289.6.3.2 Figure 1.

The following apparatus is required:

- 3.1 Standard dynamic cone penetrometer consisting of three (3) parts as follows:
 - a) Sliding drop hammer, with a mass of 9000 g and a free vertical fall of 510 mm on a 16 mm diameter shaft fitted with a stop and anvil. Check the travel of the drop hammer before each test to ensure the maintenance of the correct drop height.
 - b) Steel rod(s), 16 mm diameter and not exceeding 1500 mm in length that attach securely to the anvil, and
 - c) Hardened steel cone, with a 30° included angle, attached securely to the steel rod and have a diameter of 20 mm.
- 3.2 Extractor, such as a modified vehicle jack.
- 3.3 Displacement measuring device, with a resolution not exceeding 1 mm.

4 Test site preparation

- 4.1 Remove any loose material and vegetation from around the test site to create a flat and level surface to undertake the test and measure the penetration of the steel cone.
- 4.2 Where there is an overlying layer of clay, silt, sand or fine gravel up to 6 mm in particle size, it is possible to test through the layer.
- 4.3 Where there is an overlying layer of medium gravel or other coarser material, excavate a hole in the overlying layer of sufficient size to perform the test.

5 Test procedure

The procedure shall be as follows:

- 5.1 Holding the penetrometer vertically, seat the cone such that the widest part of the cone is embedded to a depth of 50 mm using part hammer drops if needed (refer to Figure 1). Zero the displacement measuring device or take a zero reading.
- 5.2 Drive the cone into the ground by raising the hammer to the stop and allowing it to fall freely striking the anvil. Record the penetration to the nearest millimetre, ensuring the displacement measuring device remains vertical.
- 5.3 Repeat Step 5.2 until either:
 - 5.3.1 required depth is achieved, or
 - 5.3.2 full length of rod(s) is used, or
 - 5.3.3 eight consecutive full hammer drops give a cumulative penetration less than 20 mm.
- 5.4 At the completion of the test, remove the steel rod and cone using the extractor jack. Do not back hammer to remove the steel rod and cone as this may alter the drop height.
- 5.5 If required, obtain a sample of the soil and determine the moisture content as detailed in Test Method AS 1289.2.1.1 or record the moisture condition of the soil.

6 Calculations

Calculate the equivalent California Bearing Ratio value as follows:

- 6.1 Plot the penetration (mm) against number of hammer blows.
- 6.2 Analyse the penetration against number of hammer blows plot to identify the layers present and determine for each layer the following (Note 8.1):
 - 6.2.1 the number of the first blow (N_a) and penetration recorded (P_a) for the layer, and
 - 6.2.2 the number of the final blow (N_b) and penetration recorded (P_b) for the layer.
- 6.3 Determine the average penetration rate (r) for each layer as follows:

$$r = \frac{(P_b - P_a)}{(N_b - N_a)}$$

- where
- | | | |
|-------|---|--|
| r | = | average penetration rate (mm/blow) |
| P_b | = | penetration recorded at blow b (mm) |
| P_a | = | penetration recorded at blow a (mm) |
| N_b | = | number of the final blow (b) for the layer |
| N_a | = | number of the first blow (a) for the layer |

6.4 Calculate the equivalent California Bearing Ratio value for each layer as follows:

$$CBR=10^{0.881+1.16\log_{10}\left(\frac{25}{r}\right)}$$

where CBR = equivalent California Bearing Ratio value
 r = average penetration rate (mm/blow)

7 Reporting

The following shall be reported:

- 7.1 Reference point for all layer measurements, such as the surface.
- 7.2 Depth from the reference point for the start and end of each layer.
- 7.3 Thickness of each layer (mm), if required.
- 7.4 Equivalent CBR value for each layer rounded to the reporting interval detailed in Table 1.
- 7.5 Moisture content of the soil or the moisture condition of the soil, that is, wet, moist or dry, if required.

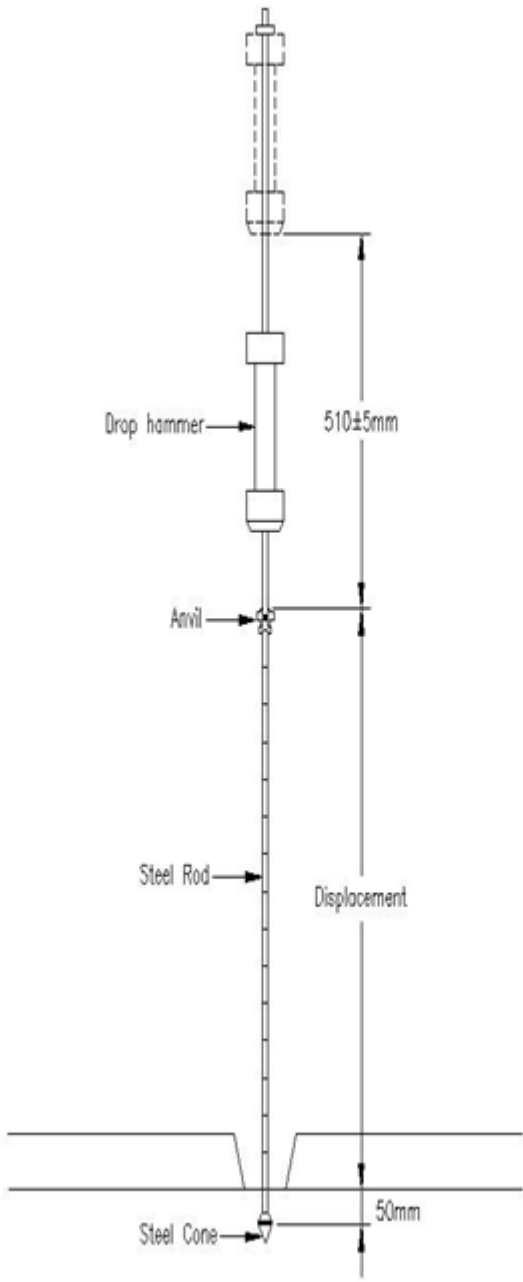
8 Notes on method

- 8.1 Where multiple layers are identified, the final blow and penetration recorded for the upper layer will be the same as the initial blow and penetration for the lower layer.

Table 1 – Reporting intervals for CBR values

CBR value	Reporting interval
≤ 5	nearest 0.5 units
> 5 to ≤ 20	nearest 1 unit
> 20 to ≤ 50	nearest 5 units
50 to 60	nearest 10 units
> 60	report as > 60

Figure 1 – Initial embedment of dynamic cone penetrometer



Test Method Q115: Unconfined compressive strength of stabilised materials

1 Source

This method was developed in-house using techniques evolved through internal departmental research investigations.

2 Scope

This method describes the procedure to determine the UCS of compacted specimens of soils, crushed rock and recycled material blends which have been either modified or stabilised with a stabilising agent or are in their natural state. The method has application as a laboratory design procedure, testing field-moulded specimens in order to check field processes, testing laboratory-moulded samples of soils or recycled material blends or core specimens removed from a stabilised material by dry coring.

3 Apparatus

Where appropriate, the working tolerances of particular apparatus are contained in Tables 1 and 2.

The following apparatus is required:

- 3.1 Sample extractor, such as a jack, lever frame or other suitable device for extruding compacted specimens from the mould.
- 3.2 Calliper, with a resolution not exceeding 0.1 mm and conforming with the requirements of ISO 13385-1 or JIS B 7507.
- 3.3 Capping jig, suited to 105 mm diameter specimens and conforming with the requirements of AS 1012.9.
- 3.4 CBR machine, fitted with the following:
 - a) a moveable lower platen that travels at a uniform vertical upward rate of 1 mm/min when measured loaded
 - b) an upper platen that has a spherical seat, and
 - c) force measuring device, at least Class C as defined in AS 2193 for that part of its operating range which corresponds to the maximum force applied to any test specimen. Equipped with an indicator of a resolution not exceeding 25 N.
- 3.5 Engineer's square, with a minimum blade length of 100 mm.
- 3.6 Steel rule.

4 Materials

The following materials are required:

- 4.1 Capping compound, special high-strength cementitious material such as dental plaster or a low heat mortar (Note 11.1).

5 Sample preparation

The sample shall be prepared as follows:

5.1 Laboratory mixing

- 5.1.1 Prepare the material detailed in Test Method Q251A to obtain at least nine specimens for testing.

5.2 Field mixing

For field mixed materials sampled from either an insitu stabilising process or a plant-mixed process the procedure shall be as follows:

- 5.2.1 Prepare the material as detailed in Test Method Q251B to produce at least three specimens for testing.

5.3 Soils or recycled material blends

For soils sampled using an appropriate method or recycled material blends sampled from stockpile the procedure shall be as follows:

- 5.3.1 Prepare the material as detailed in Test Method Q251C to produce at least three specimens for testing.

5.4 Core specimens

- 5.4.1 Obtain at least three core samples about 100 mm diameter as detailed in Test Method Q070.
- 5.4.2 Prepare the core samples as detailed in Test Method Q070 Section 7 to obtain three specimens with a height/diameter ratio of at least 1.1 for testing (Note 11.2).
- 5.4.3 Cap and test the specimens as detailed in Sections 7 and 8.

6 Demoulding and curing

The demoulding and curing shall be as follows:

- 6.1 At the completion of moulding, demould any specimens that were compacted using the host material only. These specimens are ready for capping and testing. Where there is any delay in testing, seal the specimens in plastic wrapping to prevent moisture loss.
- 6.2 For specimens containing stabilising agent, demould and cure these as detailed in Test Method Q135B.

7 Capping

The capping shall be as follows:

- 7.1 At the end of the specified curing period, examine the condition of each specimen and cap any specimen end which meets one or more of the following criteria:
 - 7.1.1 The surface was not levelled using the levelling plate or compacted against the mould baseplate.
 - 7.1.2 The end is more than 2 degrees out of square with the longitudinal axis.
 - 7.1.3 Edge breaks, small depressions or other irregularities exist which, when considered together, would cause the force to be applied over 90 percent or less of the surface area.
- 7.2 Remove surface water from any end to be capped and apply a thin cap of capping compound using the capping jig.
- 7.3 Allow each cap to harden for 1 hour after capping. To minimise moisture loss from the specimen, either cover the exposed surfaces with plastic wrapping or place the specimen in a sealed container.

8 Testing

The testing shall be as follows:

- 8.1 Determine the average diameter (D) of each test specimen to the nearest 0.1 mm from two diameters measured at right angles to each other.

- 8.2 For core specimens, determine the height (h) of each test specimen to the nearest 1 mm.
- 8.3 Place the test specimen centrally on the lower platen of the CBR machine such that the top of the specimen is uppermost.
- 8.4 Apply a compressive force to the specimen and record the maximum applied force (F).

9 Calculations

Calculations shall be as follows:

- 9.1 For all specimens:

- 9.1.1 Calculate the unconfined compressive strength for each specimen as follows:

$$UCS = \frac{1273F}{D^2}$$

where UCS = unconfined compressive strength (MPa)
 F = applied force at failure (kN)
 D = average specimen diameter (mm)

- 9.1.2 Calculate the average unconfined compressive strength.

- 9.2 For laboratory mixed material:

- 9.2.1 Using the achieved compaction moisture content, calculate the achieved compacted dry density and the achieved relative compaction for each specimen as detailed in Test Method Q145A.

- 9.3 For core specimens:

- 9.3.1 Calculate the correction factor for each specimen as follows:

$$f_c = -0.42 + 2.83x - 2.233x^2 + 0.8x^3 - 0.1067x^4$$

where f_c = correction factor for the specimen height/diameter ratio
 x = specimen height/diameter ratio

- 9.3.2 Calculate the corrected unconfined compressive strength for each specimen as follows (Note 11.2):

$$UCS_c = UCS \left(\frac{f_c}{0.899651} \right)$$

where UCS_c = corrected unconfined compressive strength (MPa)
 UCS = unconfined compressive strength (MPa)
 f_c = correction factor for the specimen height/diameter ratio

- 9.3.3 Calculate the average corrected unconfined compressive strength.

10 Reporting

The following shall be reported:

General information:

- a) Source and description of the host material.
- b) Source, type, ATIC Registration number and quantity of the stabilising agent(s) (Note 11.3).
- c) Sample type (that is, laboratory mixed, field mixed, soil, recycled material or cores).
- d) Nature and type of recycled materials, when recycled materials are tested (that is, recycled concrete, crushed glass and so on).
- e) Curing details including duration, temperature, relative humidity and moist and/or dry curing conditions.
- f) Whether specimens were tested capped or uncapped.

10.1 For laboratory mixed material:

- a) Target compacted dry density, achieved compacted dry density, achieved relative compaction, target compaction moisture content, achieved compaction moisture content and achieved percentage of OMC as detailed in Test Method Q145A.
- b) Compaction standard used, that is standard or modified.
- c) UCS of each specimen and the average UCS to the nearest 0.1 MPa.
- d) A plot of average UCS versus stabilising agent content.

10.2 For field mixed material:

- a) Achieved compacted dry density and achieved compaction moisture content as detailed in Test Method Q145A.
- b) UCS of each specimen and the average UCS to the nearest 0.1 MPa.

10.3 For core specimens:

- a) Specimen diameter to the nearest 0.1 mm.
- b) Specimen height to the nearest 1 mm.
- c) UCS of each specimen to the nearest 0.1 MPa.
- d) Corrected UCS of each specimen and the average corrected UCS to the nearest 0.1 MPa.

10.4 The number of this test method, that is Q115.

11 Notes on method

11.1 Before handling capping compounds, the operator should consult the relevant SDS.

11.2 The value of 0.899296 is calculated using the height/diameter relationship for a height/diameter ratio of 1.1.

11.3 This can be requested from the supplier of the cementitious materials. Further details are available from the Australian Technical Infrastructure Committee (ATIC), *Cementitious Materials Registration Scheme (CMRS), Registered Products List*.

Table 1 – Dimensions and tolerances of testing apparatus

Apparatus	Dimension	Tolerance
CBR Machine		
Platen travel rate – loaded (mm/min)	1	± 0.2

Test Method Q118: Bitumen content of stabilised material

1 Source

This method applies the principles of AS 2891.3.1: Bitumen content and aggregate grading - Reflux method.

2 Scope

This method describes the procedure for the determination of the bitumen content of a bitumen stabilised material by solvent extraction.

3 Apparatus

Where appropriate, the working tolerances of particular apparatus are contained in Table 1.

The following apparatus is required:

- 3.1 Balances:
 - 3.1.1 Balance of suitable capacity, with a resolution of at least 0.1 g and with a limit of performance within the range of ± 0.5 g.
 - 3.1.2 Balance of suitable capacity, with a resolution of at least 0.001 g and with a limit of performance within the range of ± 0.005 g.
- 3.2 Centrifuge, an electric centrifuge capable of holding at least two 15 mL aliquots.
- 3.3 Hotplate, capable of maintaining a temperature of 305°C (Note 8.1).
- 3.4 Fume cupboard.
- 3.5 Flask, conical flask of 2 L capacity with a ground glass neck of at least 55 mm diameter and fitted with a stopper.
- 3.6 Condenser, double surface condenser to fit the neck of the flask.
- 3.7 Beaker, of at least 100 mL capacity.
- 3.8 Containers, two flat-bottomed aluminium containers of approximate dimensions 100 mm diameter and 75 mm depth and equipped with tightly fitting slip-on lids.
- 3.9 Sieve, 2.36 mm complying with ISO 3310.
- 3.10 Sieve brush.
- 3.11 Steel mortar and rubber pestle.

4 Materials

The following materials are required:

- 4.1 Solvent, toluene commercial grade (Notes 8.1 and 8.2).

5 Procedure

The test procedure shall be as follows:

- 5.1 Prepare a bulk sample as detailed in Section 5 of Test Method Q101 to produce a representative subsample of about 1200 g.
- 5.2 Sieve the test portion over a 2.36 mm sieve.

- 5.3 Transfer the material retained on the 2.36 mm sieve to a mortar and grind with a rubber pestle to break up any soil aggregations.
- 5.4 Sieve the ground sample over the 2.36 mm sieve.
- 5.5 Continue the sieving and grinding cycle in Steps 5.3 and 5.4 until retaining only clean aggregate on the 2.36 mm sieve.
- 5.6 Remix the material retained on the 2.36 mm sieve and the material passing the 2.36 mm sieve.
- 5.7 Weigh the flask with stopper and record the mass to the nearest 0.1 g (m_1).
- 5.8 With the flask held at an angle of about 45 degrees, transfer the test portion to the flask. Weigh the flask with stopper and record the mass to the nearest 0.1 g (m_2).
- 5.9 Add a quantity of solvent to the flask at least equivalent in mass to the mass of the test portion.
- 5.10 Fit the reflux condenser to the flask and gently warm the flask and contents on the hotplate in the fume cupboard to dissolve the bitumen (Note 8.3). Shake the flask frequently during this refluxing operation to prevent bitumen from caking on the bottom of the flask.
- 5.11 Allow the flask to cool to room temperature with the condenser still in position. Remove the condenser and fit the stopper.
- 5.12 Weigh the flask and stopper and record the mass to the nearest 0.1 g (m_3).
- 5.13 Perform the following procedure on two aliquots:
 - 5.13.1 Using the beaker, transfer an aliquot of at least 15 mL of the solution from the flask to the centrifuge tube(s). Stopper the tube(s) immediately and centrifuge to separate any suspended mineral matter.
 - 5.13.2 Weigh a container with lid and record the mass to the nearest 0.001 g (m_4).
 - 5.13.3 Pour the supernatant liquid from the centrifuge tube(s) into the container, taking care not to disturb the settled mineral matter, and fit the lid. Weigh the container immediately and record the mass to the nearest 0.001 g (m_5).
 - 5.13.4 Remove the lid and place the container on the hotplate maintained at a temperature of $305 \pm 10^\circ\text{C}$ in the fume cupboard to evaporate the solvent. Continue the heating for two minutes after fumes are first seen to rise from the bitumen (Note 8.4).
 - 5.13.5 Remove the container from the hotplate, replace the lid and allow the container to cool to room temperature.
 - 5.13.6 Weigh the container and lid and record the mass to the nearest 0.001 g (m_6).

6 Calculations

Calculations shall be as follows:

- 6.1 Calculate the bitumen content based on each aliquot to the nearest 0.01% as follows:

$$B_a = \frac{(m_3 - m_2)(m_6 - m_4)100}{(m_5 - m_6)(m_2 - m_1)}$$

where	B_a	=	bitumen content based on one aliquot (%)
	m_3	=	mass of flask and stopper, test portion and solvent (g)
	m_2	=	mass of flask and stopper and test portion (g)
	m_6	=	mass of container and lid and bitumen (g)
	m_4	=	mass of container and lid (g)
	m_5	=	mass of container and lid and supernatant liquid (g)
	m_1	=	mass of flask and stopper (g)

6.2 Provided the difference between the bitumen contents based on the two aliquots is less than 0.06%, calculate the bitumen content of the sample (B) as the average of the two results to the nearest 0.01%. Where the difference between the bitumen contents based on the two aliquots is 0.06 % or greater, repeat Subsection 5.13.

7 Reporting

Report the bitumen content of the sample to the nearest 0.1%.

8 Notes on method

8.1 Before handling toluene, the operator should consult the relevant SDS.

8.2 An alternative solvent may be used provided that:

- it meets occupational health and safety requirements; and
- it can be demonstrated that use of the solvent achieves equivalent test results.

8.3 If the aggregate in the bottom of the flask is clean, then all the bitumen has been dissolved. If the aggregate retains a coating of bitumen then continue the refluxing until the aggregate is clean. For materials containing slag or other absorptive type aggregates, it may be necessary to heat the mixture for periods up to eight hours in order to extract all traces of absorbed or occluded bitumen.

8.4 Depending on the type of bitumen within the sample and/or container size, it may be necessary to vary the temperature of the hotplate and time of fuming of the bitumen film. The appropriate hotplate temperature and fuming time can be determined by calibrating against solutions of known bitumen content.

Table 1 – Working tolerances for apparatus

Apparatus	Dimension	Tolerance
Hotplate		
Temperature distribution (°C)	305	± 10

Test Method Q120B: Organic content of soil - loss on ignition

1 Source

This test method was developed in-house with reference to the procedures described in “*A Text-Book of Quantitative Inorganic Analysis including Elementary Instrumental Analysis*” (3rd Edition) – Arthur I. Vogel: Section I, 60 – Thermogravimetric method of analysis.

2 Scope

This method describes the procedure for the determination of the organic content of soil by loss on ignition. It determines the total organic content of a sample (including any undecomposed organic matter such as particles of grass, sticks, and so on) by igniting the sample at 500°C in a furnace and calculating the resultant percentage mass loss.

3 Apparatus

The following apparatus is required:

- 3.1 Sieve, 2.36 mm complying with ISO 3310.
- 3.2 Balance of suitable capacity, with a resolution of at least 0.0001 g and with a limit of performance within the range of ± 0.0005 g.
- 3.3 Drying oven of suitable capacity, having a temperature of 45-50°C and complying with AS 1289.0.
- 3.4 Drying oven, of suitable capacity having a temperature of 105-110°C and complying with AS 1289.0.
- 3.5 Furnace, maintained at 500 ± 25 °C (Note 9.1).
- 3.6 Silica or platinum crucibles.
- 3.7 Desiccator, with silica gel self-indicating desiccant.
- 3.8 Crucible tongs.
- 3.9 Furnace gloves.

4 Sample preparation

The sample shall be prepared as follows:

- 4.1 Prepare a representative subsample of approximately 50 g passing the 2.36 mm sieve as detailed in Test Method Q101, Subsection 6.4 for fine fraction subsamples.
- 4.2 Oven dry the subsample at 45-50°C and transfer it to an airtight container in preparation for test.
- 4.3 Prior to test, heat the representative subsample in a 105-110°C oven for one hour, transfer to a desiccator and allow to cool to room temperature.

5 Procedure

The following procedure shall be performed in duplicate:

- 5.1 Heat the crucible in the furnace for one hour, cool in the desiccator and determine the mass to the nearest 0.0001 g.

- 5.2 Repeat Step 5.1 until constant mass is attained (m_c) (Note 9.2).
- 5.3 Transfer a representative portion of approximately 5 g of the subsample into the crucible. Determine the mass of the crucible and subsample portion to the nearest 0.0001 g (m_s).
- 5.4 Place the crucible into the furnace for two hours.
- 5.5 Remove the crucible from the furnace, cool in the desiccator, and determine the mass to the nearest 0.0001 g.
- 5.6 Return the crucible to the furnace for one hour and repeat Step 5.5.
- 5.7 Repeat Step 5.6, if necessary until constant mass is attained (m_r) (Note 9.2).

6 Calculations

Calculations shall be as follows:

- 6.1 Calculate the organic content of each subsample portion as follows:

$$OC = \frac{m_s - m_r}{m_s - m_c} 100$$

- where
- OC = organic content (%)
 - m_c = mass of crucible (g)
 - m_r = mass of crucible and residue (g)
 - m_s = mass of crucible and subsample portion (g)

- 6.2 Provided that the results for the two subsample portions do not differ by more than 0.45%, calculate the average of the results to the nearest 0.05%. Where the results differ by more than 0.45%, repeat the test procedure.

7 Reporting

Report the average result as the organic content of the sample to the nearest 0.05%.

8 Precision

8.1 Repeatability

The average results for duplicate tests by the same operator are acceptable if the means do not differ by more than 0.32%.

9 Notes on method

- 9.1 Prior to commencing this test, it is advisable to allow the furnace time to attain $500 \pm 25^\circ\text{C}$.
- 9.2 For the purpose of this test, the definition of constant mass is that successive weighings do not differ by more than 0.0005 g. The mass recorded in the last weighing is the constant mass value.

Test Method Q122A: Resistivity of soil and water

1 Source

This method is based on the principles of a resistivity test method originally used by the California Division of Highways in estimating the service life of corrugated metal culverts.

2 Scope

This method describes the procedure for determining the resistivity of soil or water using a conductivity meter. It is applicable to the assessment of the corrosion properties of fine grained materials and water associated with metal culvert installations. A minimum resistivity value is determined for soil materials.

3 Apparatus

The following apparatus is required:

- 3.1 Conductivity meter, capable of measuring conductivity over the required range.
- 3.2 Conductivity cell, a cylindrical cell of rigid, durable plastic having approximate dimensions of external diameter 50 mm, internal diameter 26 mm and height 37 mm. The cell contains two nickel electrodes having a length equal to the height of the cell and a width of approximately 9 mm. The electrodes form part of the inner surface of the cell and are aligned with the curve of the cell wall so that the inner surface remains smooth and cylindrical. The electrodes are positioned to be diametrically opposed with their longer axis aligned parallel to the cell axis.
- 3.3 Panel, a glass or similar non-porous and non-conducting panel, approximately 200 mm square.
- 3.4 Balance of suitable capacity, with a resolution of at least 1 g and with a limit of performance within the range of ± 5 g.
- 3.5 Balance of suitable capacity, with a resolution of at least 0.001 g and with a limit of performance within the range of ± 0.005 g.
- 3.6 Drying oven of suitable capacity, having a temperature of 45 - 50°C and complying with AS 1289.0.
- 3.7 Burette, of 50 mL capacity.
- 3.8 Volumetric flask, of 250 mL capacity.
- 3.9 Sieve, 2.36 mm complying with ISO 3310.
- 3.10 Mixing bowl, a stainless steel bowl having approximate dimensions of 150 mm diameter and 100 mm depth.
- 3.11 Spatula, suitable for mixing soil and water and having a width slightly smaller than the internal diameter of the conductivity cell.

4 Materials

The following materials are required:

- 4.1 Grease, stopcock grease or similar.
- 4.2 Distilled water or equivalent (for example, reverse osmosis water).

5 Reagents

The following reagent is required (Notes 11.1 and 11.2):

5.1 Potassium chloride solution

- Dissolve 0.373 ± 0.001 g of potassium chloride in distilled water (or equivalent) and make up to the mark in a 250 mL volumetric flask.

6 Sample preparation

The subsample shall be prepared as follows:

6.1 Prepare a representative subsample of approximately 100 g passing the 2.36 mm sieve as detailed in Test Method Q101, Subsection 6.4 for fine fraction subsamples.

6.2 Dry the subsample in the oven at a temperature of 45-50°C.

7 Calibration of conductivity meter

The conductivity meter shall be calibrated as follows:

7.1 Clean the conductivity cell to ensure it is free of contaminants.

7.2 Apply a thin layer of grease to the bottom end of the cell and place it (bottom end down) on the panel.

7.3 Rinse the cell with distilled water (or equivalent) then fill it with the potassium chloride solution (Notes 11.3 and 11.4).

7.4 Connect the cell to the conductivity meter and record the conductivity to the nearest 0.01 mS/cm in accordance with the procedure recommended by the meter's manufacturer.

7.5 Discard the solution in the cell and repeat Steps 7.3 and 7.4 until successive readings agree to within 0.01 mS/cm.

7.6 Adjust the conductivity reading to 2.76 mS/cm (Note 11.5).

7.7 Empty the cell and then rinse thoroughly (three to four times) with distilled water (or equivalent) to remove all traces of potassium chloride solution (Note 11.6).

8 Procedure

The procedure for soil samples or water samples as appropriate, shall be as follows:

8.1 Soil samples

8.1.1 Place the whole soil sample in the mixing bowl and add 5 mL of distilled water (or equivalent) from the burette (Note 11.7).

8.1.2 Thoroughly mix the contents of the mixing bowl with the spatula to produce a uniform soil/water mixture.

8.1.3 Apply a thin layer of grease to the bottom end of the conductivity cell. Seat the conductivity cell on the panel and, using the spatula, compact into the cell sufficient of the soil/water mixture to fill the cell.

8.1.4 Using the spatula, strike off the compacted soil level with the top of the cell (Note 11.4).

8.1.5 Connect the cell to the conductivity meter and record the conductivity in mS/cm to three significant figures in accordance with the procedure recommended by the meter's manufacturer.

- 8.1.6 Disconnect the cell from the conductivity meter and return the compacted soil in the cell to the mixing bowl. Reincorporate the contents of the cell with the remainder of the soil/water mixture in the bowl using the spatula.
- 8.1.7 Add 1 mL of distilled water (or equivalent) from the burette to the contents of the bowl and thoroughly mix with the spatula to produce a uniform soil/water mixture (Note 11.8).
- 8.1.8 Repeat Steps 8.1.3 to 8.1.5.
- 8.1.9 Repeat Steps 8.1.6 to 8.1.8 until successive conductivity readings have reached a maximum or have begun to decrease. Record the maximum conductivity (γ_{\max}) in mS/cm to three significant figures.

8.2 Water samples

- 8.2.1 Rinse the cell with distilled water (or equivalent) and apply a thin layer of grease to the bottom end of the conductivity cell and place it on the panel.
- 8.2.2 Seat the conductivity cell on the panel and fill with sufficient of the water sample to fill the cell (Notes 11.3 and 11.4).
- 8.2.3 Connect the cell to the conductivity meter and record the conductivity (γ) in mS/cm to three significant figures in accordance with the procedure recommended by the meter's manufacturer.

9 Calculations

Calculations shall be as follows:

- 9.1 Calculate the minimum resistivity of the soil sample as follows:

$$\rho_{\min} = \frac{10}{\gamma_{\max}}$$

where ρ_{\min} = minimum resistivity of soil (ohm m)

γ_{\max} = maximum conductivity of soil (mS/cm)

- 9.2 Calculate the resistivity of the water sample as follows:

$$\rho = \frac{10}{\gamma}$$

where ρ = resistivity of water (ohm m)

γ = conductivity of water (mS/cm)

10 Reporting

Report the minimum resistivity of the soil or the resistivity of the water as appropriate in ohm m to three significant figures.

11 Notes on method

- 11.1 Unless otherwise indicated, all reagents are to conform to the specifications of the Committee on Analytical Reagents of the American Chemical Society, where such specifications are available.

- 11.2 Before handling potassium chloride, the operator should consult the relevant SDS.
- 11.3 If the potassium chloride solution or water sample leaks from between the panel and the conductivity cell, apply a thicker layer of grease to the bottom of the cell.
- 11.4 It is important that the cell is filled to exactly the same level during the calibration and testing operations. Just fill the cell so that the potassium chloride solution, soil sample or water sample is in contact with the entire inner surfaces of the electrodes.
- 11.5 If calibration adjustment of the conductivity meter to read 2.76 mS/cm cannot be achieved, clean the cell electrodes using a fine abrasive such as emery flour. If calibration adjustment still cannot be achieved, record the conductivity reading at full adjustment (A). The calculation for the resistivity value for the sample should then be multiplied by the factor $(A/2.76)$.
- 11.6 If during calibration or test, it is necessary to remove the cell from the panel, ensure both are cleaned thoroughly, rinse it with distilled water (or equivalent) and apply a fresh layer of grease to both the panel and the base of the cell prior to continuing with the test.
- 11.7 For different soil types, it may be necessary to vary the volume of distilled water initially added to the soil in the bowl. Sandy type materials of low plasticity may require only about 3 mL, while plastic materials containing a high proportion of clay could require up to 10 mL.
- 11.8 The addition of distilled water in increments greater than 1 mL may be necessary where a large volume of distilled water is required to be added to the sample to achieve a maximum conductivity condition.

Test Method Q122B: Resistivity of soil - reinforced earth

1 Source

This method was based on a test procedure developed by Henri Vidal for the measurement of the resistivity of soil materials to be used in reinforced earth structures.

2 Scope

This method describes the procedure for determining the resistivity of soil using a conductivity meter. It is applicable to materials having a maximum particle size smaller than 19.0 mm and intended for use in reinforced earth structures.

3 Apparatus

The following apparatus is required:

- 3.1 Sieve, 19.0 mm complying with ISO 3310.
- 3.2 Balance of suitable capacity, with a resolution of at least 1 g and with a limit of performance within the range of ± 5 g.
- 3.3 Balance of suitable capacity, with a resolution of at least 0.001 g and with a limit of performance within the range of ± 0.005 g.
- 3.4 Rubber pestle.
- 3.5 Conductivity meter, capable of measuring conductivity over the required range.
- 3.6 Resistivity cell, a box shaped cell constructed from a non-conductive material such as plastic and fitted with two stainless steel electrodes containing small holes drilled near the bottom of the electrodes. The dimensions of the cell and electrodes and the location of the drilled holes are illustrated in Figure 1.
- 3.7 Volumetric flasks, of 2000 mL capacity.

4 Materials

The following material is required:

- 4.1 Distilled water or equivalent (for example, reverse osmosis water).

5 Reagents

The following reagent is required (Notes 11.1 and 11.2):

- 5.1 Potassium Chloride Solution
 - Prepare two 2000 mL volumetric flasks, by adding 2.984 ± 0.001 g of potassium chloride to each flask, dissolving in distilled water (or equivalent) and making up to the mark.

6 Sample preparation

Prepare a representative subsample of approximately 5000 g passing the 19.0 mm sieve as detailed in Test Method Q101, Subsection 6.4 for fine fraction subsamples.

7 Standardisation of resistivity cell

The resistivity cell shall be standardised as follows:

- 7.1 Rinse and then fill the resistivity cell with the potassium chloride solution, so that the level of solution in all three cell compartments is flush with the top of the cell.
- 7.2 Connect the cell to the conductivity meter and record the conductivity (γ_R) to the nearest 0.01 mS/cm in accordance with the procedure recommended by the meter's manufacturer.
- 7.3 Empty the cell and rinse thoroughly (three to four times) with distilled water (or equivalent) to remove all traces of potassium chloride solution.

8 Procedure

The procedure shall be as follows:

Add sufficient mass of the representative soil sample to the resistivity cell to fill it to approximately one quarter capacity.

- 8.1 Compact the sample in the resistivity cell using the rubber pestle.
- 8.2 Repeat Steps 8.1 and 8.2 three times to completely fill the cell with compacted sample.
- 8.3 Carefully add distilled water (or equivalent) to the sample and to the two end compartments of the cell until the cell has been completely filled.
- 8.4 Add additional distilled water (or equivalent) to the three cell compartments as required until the sample has been completely saturated (that is, the water level in all three compartments of the cell remains flush with the top of the cell for fifteen minutes).
- 8.5 Allow the cell to stand undisturbed for one hour.
- 8.6 Connect the cell to the conductivity meter and record the conductivity (γ_s) to the nearest 0.01 mS/cm in accordance with the procedure recommended by the meter's manufacturer.

9 Calculations

Calculate the resistivity of the sample as follows:

$$\rho = \frac{10 \gamma_R}{2.76 \gamma_s}$$

- where
- ρ = resistivity (ohm m)
 - γ_R = conductivity recorded during standardisation of the cell (mS/cm)
 - γ_s = conductivity of sample (mS/cm)

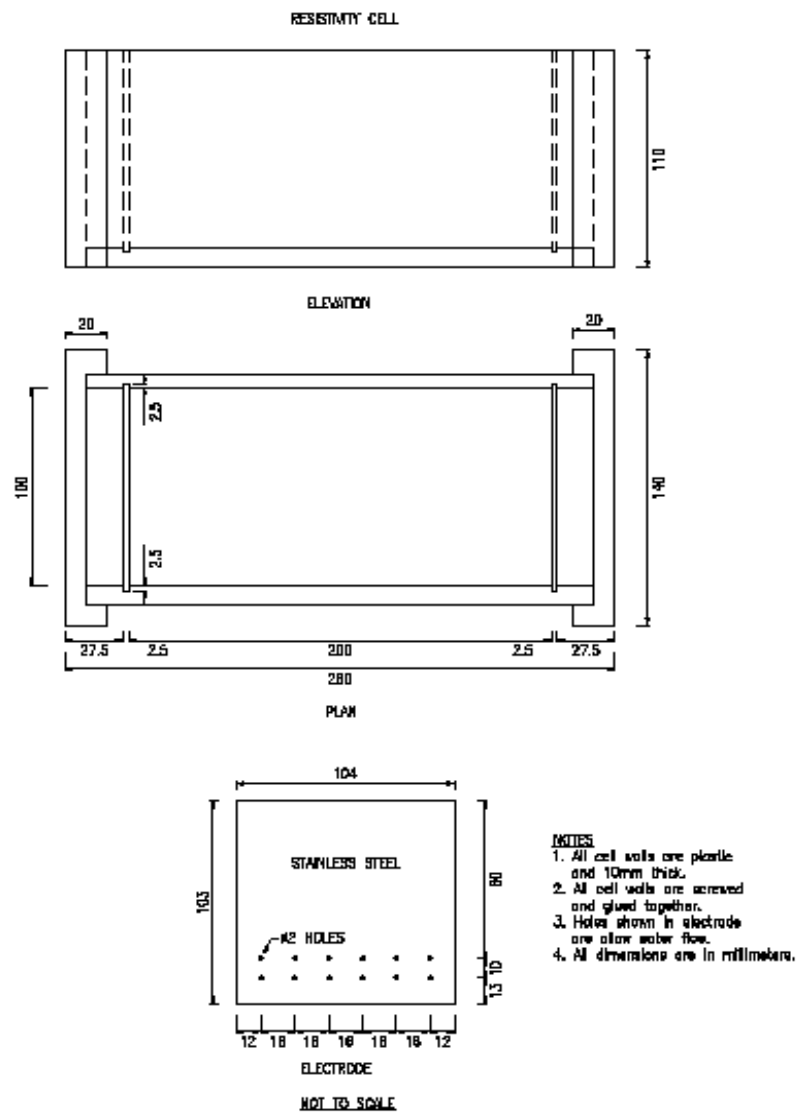
10 Reporting

Report the resistivity of the sample in ohm m to three significant figures.

11 Notes

- 11.1 Before handling potassium chloride, the operator should consult the relevant SDS.
- 11.2 Unless otherwise indicated, all reagents are to conform to the specifications of the Committee on Analytical Reagents of the American Chemical Society, where such specifications are available.

Figure 1 – Resistivity cell



Test Method Q125D: Capillary rise of stabilised material

1 Source

This method was developed in-house using techniques evolved through internal departmental research investigations.

2 Scope

This method sets out the procedure for the determination of the capillary rise (CR) of compacted specimens of soil or a soil-stabilising agent mixture.

Prepare test specimens by compacting material passing 19.0 mm to a nominated dry density and moisture content using standard or modified compactive effort. Unless otherwise specified, use standard compactive effort.

3 Apparatus

Where appropriate, the working tolerances of particular apparatus are contained in Table 1.

The following apparatus is required:

- 3.1 Mould assembly (Mould A), comprising a cylindrical metal mould having an internal diameter of 105 mm and an effective height of 115.5 mm, fitted with a detachable baseplate and a removable collar assembly about 60 mm high, both of which can be firmly attached to the mould.
- 3.2 Steel rammer, having a 50 mm diameter face. For standard compactive effort, a rammer with a drop mass of 2700 g and a drop height of 300 mm. For modified compactive effort, a rammer with a drop mass of 4900 g and a drop height of 450 mm.
- 3.3 Balances:
 - 3.3.1 Balance of suitable capacity, with a resolution of at least 1 g and with a limit of performance within the range of ± 5 g.
 - 3.3.2 Balance of suitable capacity to weigh stabilising agents and moisture contents, with a resolution of at least 0.1 g and with a limit of performance within the range of ± 0.5 g.
- 3.4 Sieves, 19.0 mm and 9.50 mm complying with ISO 3310.
- 3.5 Material height gauge. A flat steel bar, about 250 mm long, 25 mm wide and 1-3 mm thick is satisfactory (Note 11.1).
- 3.6 Sample extractor, such as a jack, lever frame or other suitable device for extruding compacted specimens from the mould.
- 3.7 Oven of suitable capacity, having a temperature of 45°C to 50°C and complying with AS 1289.0.
- 3.8 Steel rule, at least 200 mm long and with a resolution of not exceeding 1 mm.
- 3.9 Water bath of suitable capacity, able to maintain a depth of 10 mm for 72 hours.

4 Materials

The following materials are required:

- 4.1 Potable water.

5 Sample preparation

The sample shall be prepared as follows:

- 5.1.1 Prepare the bulk sample as detailed in Section 5 of Test Method Q101 to produce a representative subsample of appropriate size. It may be necessary, to partially dry the bulk sample before preparation so that the material is sufficiently dry to allow uniform mixing of the stabilising agent with the host material.
- 5.1.2 Screen the subsample on a 19.0 mm sieve as detailed in Test Method Q101, Steps 6.2.1 to 6.2.3. Ensure that any aggregations are broken up to pass a 9.50 mm sieve.
- 5.1.3 Prepare a CR test portion as well as a single test portion for determining hygroscopic moisture content as detailed in Test Method Q101, Steps 6.2.4 to 6.2.6. Ensure the CR test portion is of sufficient quantity to mould one specimen and provide a subsample for determining the compaction moisture content (Note 11.2).
- 5.1.4 Where the CR portion moulding moisture content and dry density are not specified, prepare sufficient additional test portions to undertake MDR testing as detailed in Test Method Q142A or Q142B as appropriate (Note 11.3).
- 5.1.5 Determine the hygroscopic moisture content (w_1) of the test portion prepared in Step 5.1.3 as detailed in Test Method AS 1289.2.1.1.

6 Moulding

The sample shall be moulded as follows:

- 6.1 Determine the quantity of stabilising agent, then mix and condition the CR test portion as detailed in Test Method Q135A.
- 6.2 Using the procedure detailed in Test Method Q145A, calculate the mass of wet mixture per layer, determine the achieved moisture content, then mould one specimen at OMC and MDD by compacting in 3 equal layers. Complete compaction within 65 minutes timed from the first addition of mixing water to the mixture of host material and stabilising agent (Notes 11.4 and 11.5).

7 Conditioning

The sample shall be conditioned as follows:

- 7.1 If using stabilising agents, wrap the compacted specimen in plastic wrapping and condition as detailed in Test Method Q135B.
- 7.2 Remove the plastic wrapping from the compacted specimen and place in the 45-50°C oven and dry to a constant mass.

8 Testing

The sample shall be tested as follows:

- 8.1 Following drying, allow the test specimen to cool to room temperature.
- 8.2 Using the rule, determine the initial height of the test specimen (H).
- 8.3 Place the specimen in the water bath containing potable water and adjust the water level, if necessary, to ensure that 10 mm of the specimen is immersed.
- 8.4 Record the time of immersion as 0 hours.

- 8.5 Using the ruler, determine the height from the base of the specimen to the maximum level of CR (h_i) at 0.25, 0.5, 1.0, 1.5, 2.0, 4.0, 8.0, 24, 48 and 72 hours (Notes 11.6 and 11.7).

9 Calculations

Calculations shall be as follows:

- 9.1 Calculate the CR as follows:

$$CR = \frac{h-10}{H-10} 100$$

where CR = capillary rise (%)
 h = maximum level of CR at the termination of the test or 72 hours (mm)
 H = initial height of the specimen (mm)

- 9.2 Using the set of CR readings, plot the CR (h_i) (mm) against time in hours. From the plot, determine the time taken for the CR to reach the top of the specimen as the rise time in hours.

10 Test report

The following shall be reported:

- 10.1 Initial height of the specimen to the nearest 1 mm.
 10.2 The rise time to the nearest 0.5 hours.
 10.3 Capillary rise to the nearest 1%.
 10.4 The number of this test method, that is Q125D.

11 Notes on method

- 11.1 A material height gauge, which allows monitoring of the height of compacted material relative to the top of a Mould A, can be made from a steel bar and marked as follows:
- 11.1.1 Mould A: Commencing at one end of the bar, measure and mark distances of:
- 5.5 mm for the upper range of the third layer
 - 33.5 mm and 38.5 mm for the acceptable range of the second layer, and
 - 72.5 mm and 77.5 mm for the acceptable range of the first layer.
- 11.1.2 Mark the face with the appropriate mould size (A).
- 11.2 A test portion mass of 4 kg will be adequate for determining the CR for moist soils. A gravel may, however, require up to 5 kg while it may be possible to use as low as 3 kg for a fine grained soil.
- 11.3 A test portion mass of 2.5 kg will be adequate for determining MDR for most soils. A gravel may, however require up to 3 kg, while it may be possible to use as low as 2 kg for a fine gained soil.
- 11.4 When mixing and conditioning more than one test portion, sequence the work to comply with any time for conditioning and the time to completion of compaction. Measure both of these times from the addition of the first increment of water to the mixture of soil and stabilising agent.

- 11.5 Test portions that do not contain stabilising agents are to be compacted at the completion of mixing the soil and mixing water.
- 11.6 Check the water level in the water bath during the 72 hour period to ensure that 10 mm of the specimen remains immersed.
- 11.7 If the maximum level of CR reaches the top of the specimen before 72 hours record the time and terminate the test.

Table 1 – Dimensions and tolerances of compaction apparatus

Apparatus	Dimension	Tolerance
Mould A		
Internal diameter (mm)	105.0	± 0.5*
Height (mm)	115.5	± 0.5*
Nominal volume (cm ³)	1000	± 15
Rammer		
Diameter; round foot (mm)	50	± 0.4
Area of rammer (mm ²)	1964	± 31
Standard compaction (Mould A)		
Drop (mm)	300	± 2.0
Mass (kg)	2.7	± 0.01
Modified compaction (Mould A)		
Drop (mm)	450	± 2.0
Mass (kg)	4.9	± 0.01

* Either but not both of the tolerances may be exceeded provided that the specified tolerance on volume is not exceeded.

Test Method Q129: Clay index of soils, crushed rock and filler

1 Source

This method was developed in-house with reference to the publication "Recommended Method of Test for Determination of Clay Index Value", Ministry of Works Department Engineering laboratory Auckland, AEL Report No. 83/26, 1983.

2 Scope

This test method describes the procedure for indicating the quantity of expansive clay minerals in natural fines, soil-rock powders or fillers. The method uses methylene blue as an indicator of the amount of expansive clay present.

3 Apparatus

The following apparatus is required:

- 3.1 Balances:
 - 3.1.1 Balance of suitable capacity, having a resolution of at least 0.1 g and with a limit of performance within the range of ± 0.5 g.
 - 3.1.2 Balance of suitable capacity, having a resolution of at least 0.01 g and with a limit of performance within the range of ± 0.05 g
- 3.2 Flasks, four identical glass conical flasks of 250 mL capacity.
- 3.3 Glass rod, about 150 mm long and 5 mm diameter.
- 3.4 Burette, glass burette of at least 50 mL capacity graduated to 0.1 mL with a burette holder.
- 3.5 Pipette, glass pipette of 20 mL capacity.
- 3.6 Cylinders, glass measuring cylinders of 25 mL and 10 mL capacity.
- 3.7 Volumetric flasks, 200 mL and 1000 mL capacity.
- 3.8 Bottle, brown glass bottle of 500 mL or 1000 mL capacity.
- 3.9 Plastic wash bottle.
- 3.10 Ultrasonic cleaner.
- 3.11 Hotplate or gas burner with suitable means of supporting a flat-bottomed glass flask.
- 3.12 Sample splitters or riffles.
- 3.13 Timer, capable of measuring 30 minute intervals and with a resolution of 1 second.
- 3.14 Spatula.

4 Reagents

The following reagents of recognised analytical quality are required (Note 11.1):

- 4.1 Methylene blue solution
 - Dissolve 4.50 ± 0.01 g of methylene blue dihydrate powder in 1 litre of distilled water (Note 11.2).
 - The solution should be stored in a brown glass bottle in a refrigerator and the bottle marked with the preparation date. Discard the solution after three months.

4.2 Hydrogen peroxide solution

- Dilute 30% hydrogen peroxide solution at the rate of one part hydrogen peroxide solution to five parts distilled water (Note 11.3).

4.3 Sulfuric acid solution

- Dilute concentrated sulphuric acid at the rate of one part acid to seventy-four parts distilled water (Note 11.4).

5 Materials

The following materials are required:

5.1 Filter paper of medium filter speed (for example, Whatman No. 2, 40 or 540) or medium-fast filter speed (for example, Whatman No. 1).

5.2 Distilled water.

6 Sample preparation

The sample shall be prepared as follows:

6.1 Prepare the bulk sample as detailed in Section 5 of Test Method Q101 to obtain a sample that, when dry, will comply with the minimum mass requirement of Table 1.

6.1.1 If the test is to be performed on a specified fraction of a material. Prepare a representative washed, air-dried subsample as detailed in Test Method Q101, Subsection 6.5 for specified fraction subsamples.

6.2 Crush the representative subsample as detailed in Test Method Q101F to produce a fine crushed, air-dried subsample passing the 0.075 mm sieve (Note 11.5).

6.3 Obtain a representative subsample of the material passing the 0.075 mm sieve of approximately 2 g (Note 11.6).

6.4 Determine the mass of a 250 mL conical flask to the nearest 0.01 g (m_1).

6.5 Transfer the subsample to the flask.

6.6 Determine the mass of the flask and subsample (m_2).

6.7 Add 25 mL of distilled water to the flask, ensuring that all the subsample is contained within the distilled water.

6.8 Place the flask in the ultrasonic cleaner for at least 30 minutes.

6.9 Remove the flask from the ultrasonic cleaner and add 10 mL of hydrogen peroxide solution and 5 mL of sulfuric acid solution to the flask.

6.10 Place the flask on the hotplate and boil the contents gently for 5 minutes.

6.11 Remove the flask from the hotplate and wash any residue carefully from the upper portion of the flask into the suspension using distilled water from a plastic wash bottle. Use the distilled water sparingly.

7 Methylene blue titration

The titration shall be performed as follows:

- 7.1 Fill the burette with the methylene blue solution and record the initial burette reading (A) (Note 11.7).
- 7.2 Add 1 mL of the titrant from the burette to the flask and shake the flask and contents vigorously for approximately 5 seconds (Note 11.8).
- 7.3 Transfer a drop of the suspension in the flask onto a filter paper using the glass rod and observe its colour.
- 7.4 Repeat Steps 7.2 and 7.3 until a narrow light blue halo first appears between the dark blue centre and the colourless moisture rim (Note 11.9).
- 7.5 Shake the flask and contents for 30 seconds and perform the drop test (Step 7.3).
- 7.6 If the halo disappears, add 0.5 mL of the titrant to the flask, shake the flask and contents for 30 seconds and perform the drop test (Step 7.3).
- 7.7 Repeat Step 7.6 until the halo remains (Note 11.10).
- 7.8 Record the final reading of the burette (B).
- 7.9 Allow the flask (F_1) and contents to stand for undisturbed for 30 minutes.

8 Back titration

The back titration shall be performed as follows (Note 11.11):

- 8.1 Align the four identical conical flasks on a white surface to aid in the comparison of colour intensity.
- 8.2 Add a volume of distilled water equal to the total volume of liquid in the flask (F_1) to a second conical flask (F_2).
- 8.3 Using the pipette, carefully remove 20 mL of liquid from F_1 , ensuring that the clay particles at the bottom of the flask are not removed or disturbed, and transfer it to a third conical flask (F_3).
- 8.4 Record the initial burette reading (C).
- 8.5 Add the methylene blue solution drop by drop from the burette to flask F_2 while agitating the flask.
- 8.6 Continue the titration until the colour of the liquids in conical flasks F_2 and F_3 appear similar.
- 8.7 Pipette 20 mL of the solution in flask F_2 into a fourth conical flask (F_4).
- 8.8 Compare the colour of the liquid in flasks F_3 and F_4 by placing the eyes over the openings of each flask.
 - 8.8.1 If the colour of the liquid in flask F_4 is lighter than that in flask F_3 , return the liquid in flask F_4 to flask F_2 and repeat Steps 8.5 to 8.8 until the liquids are equal in colour.
 - 8.8.2 If the colour of the liquid in flask F_4 is darker than that in flask F_3 :
 - a) discard the contents of flasks F_2 and F_4 then clean and dry both flasks

- b) add distilled water to flask F_2 to the level of the liquid in flask F_1
- c) add an additional 20 mL of distilled water to flask F_2 and repeat Steps 8.4 to 8.8.

- 8.9 Record the final burette reading (D).
- 8.10 Repeat Steps 6.3 to 8.9 for a second subsample.

9 Calculations

Calculations shall be as follows:

- 9.1 For each subsample calculate the clay index as follows:

$$CI = \frac{(B-A)-(D-C)}{m_2 - m_1}$$

- where CI = clay index expressed as mL of 4.50 ± 0.01 g/L methylene blue solution absorbed by 1 gram of soil sample.
- A = initial burette reading for methylene blue titration (mL)
- B = final burette reading for methylene blue titration (mL)
- C = initial burette reading for back titration (mL)
- D = final burette reading for back titration (mL)
- m_1 = mass of flask (g)
- m_2 = mass of flask and subsample (g)

- 9.2 Average the clay index results from the two subsamples, provided that they do not differ by 0.3 for clay index results from 0.0 to 3.0 and are within ± 10 % of the mean value for clay index results > 3.0 . Otherwise repeat the test.

10 Reporting

Report the clay index to the nearest 0.1 for results less than 10 and to the nearest 1 for results greater than or equal to 10.

11 Notes on method

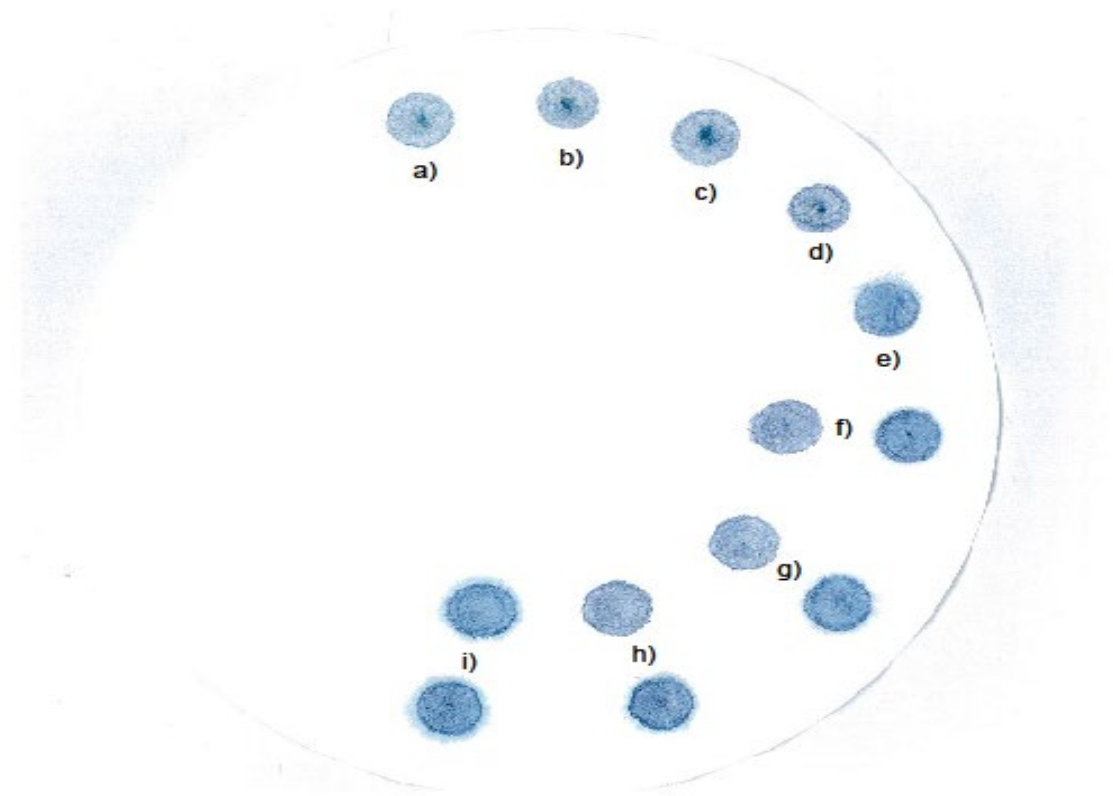
- 11.1 Before handling methylene blue dihydrate, hydrogen peroxide and sulphuric acid, the operator should consult the relevant SDS.
- 11.2 A smaller quantity should be made up if tests are few in number and intermittent in occurrence.
- 11.3 This solution should remain stable for several months if stored in a brown glass bottle in a refrigerator.
- 11.4 Take great care when mixing concentrated sulphuric acid and water. It is imperative that the acid be added slowly to the required volume of distilled water.
- 11.5 Do not use mechanical grinders that generate temperatures in the material in excess of 50°C while operating as they may break down the crystalline structure of the clay minerals.
- 11.6 To obtain a representative subsample of the passing 0.075 mm material, a small riffle with approximately 2 mm slot widths can be used until the subsample mass has been reduced to 10-20 grams. Use a spatula to obtain the test subsample.

- 11.7 The solution is intensely coloured, no meniscus can be read and the top of the solution should be recorded at all times.
- 11.8 The initial addition of titrant to the flask should be commenced one minute after removing the flask from the hotplate.
- 11.9 Prior to the end point being reached, the drop will show a dark blue centre of dyed clay and a colourless moisture rim. As the end point is approached, a narrow light blue halo of unabsorbed dye will appear between the dark blue centre and the colourless moisture rim.
- 11.10 An example of the drop test for determining the end point of methylene blue titration is included in Figure 1. The details of each drop are listed below:
- a) after the addition of 1 mL of methylene blue solution. The drop consists of a blue centre of dyed clay minerals surrounded by a colourless moisture rim.
 - b) after the addition of 2 mL of methylene blue solution.
 - c) after the addition of 3 mL of methylene blue solution.
 - d) after the addition of 4 mL of methylene blue solution.
 - e) after the addition of 5 mL of methylene blue solution. There is a very faint light blue halo of unabsorbed methylene blue solution.
 - f) after the addition of 6 mL of methylene blue solution. A light blue halo around the dark blue centre indicates the presence of unabsorbed methylene blue solution. Upon shaking the suspension for 30 seconds, the halo disappears.
 - g) after the addition of 6.5 mL of methylene blue solution. Upon shaking the suspension for 30 seconds, the halo disappears.
 - h) after the addition of 7 mL of methylene blue solution. Upon shaking the suspension for 30 seconds, the halo disappears.
 - i) after the addition of 7.5 mL of methylene blue solution. The halo becomes well marked and is still evident after shaking the suspension for 30 seconds. This represents the end point of the titration. If the titration is continued well past the end point, an over-developed light blue halo of the unabsorbed methylene blue solution will be evident.
- 11.11 Due to the relatively slow rate of absorption of methylene blue by some clay samples, the excess liquid may become colourless or have a colourless zone forming as further methylene blue solution is absorbed by the clay minerals during the 30 minute standing time after titration. Back titration is not required in such cases.

Table 1 – Minimum subsample masses

Maximum particle size (mm)	Minimum subsample mass (g)
37.5	15,000
26.5	5,000
19.0	2,000
9.50	500
4.75	200
2.36	100
0.425	50

Figure 1 – Example of the drop test for determining the end point of methylene blue titration



Test Method Q130A: Chloride content of soil and water

1 Source

This method was developed in-house with reference to the procedures described in *A Text-Book of Quantitative Inorganic Analysis including Elementary Instrumental Analysis (3rd Edition)* – Arthur I. Vogel: Section III, 24 – Determination of Chlorides.

2 Scope

This method describes the procedure for determining the chloride content of samples of either soil or water. The chloride ions within soil samples are extracted with water and their concentration within the soil extract or within a water sample is determined by titration with silver nitrate solution.

3 Apparatus

The following apparatus is required:

- 3.1 Drying oven of suitable capacity, having a temperature of 45 – 50°C and complying with AS 1289.0.
- 3.2 Balance of suitable capacity, with a resolution of at least 0.1 g and with a limit of performance within the range of ± 0.5 g.
- 3.3 Balance of suitable capacity, with a resolution of at least 0.0001 g and with a limit of performance within the range of ± 0.0005 g.
- 3.4 Steam bath.
- 3.5 Furnace, a furnace capable of maintaining a temperature of 250°C.
- 3.6 Volumetric flasks, of 1000 mL and 100 mL capacity.
- 3.7 Conical flasks, of 1000 mL and 125 mL capacity.
- 3.8 Measuring cylinders, graduated type, of 250 mL capacity and 100 mL capacity (capable of being stoppered).
- 3.9 Burette, of 50 mL capacity, graduated in 0.1 mL divisions.
- 3.10 Pipettes, bulb type of 50 mL and 25 mL capacity.
- 3.11 Pipettes, graduated type of 10 mL and 1 mL capacity (graduated in 0.1 mL divisions).
- 3.12 Pasteur pipettes.
- 3.13 Pipette filler.
- 3.14 Desiccator, containing silica gel desiccant or equivalent.
- 3.15 Filter funnel, glass filter funnel.
- 3.16 Beakers, of 600 mL and 250 mL capacity.
- 3.17 Storage bottles, of 250 mL and 100 mL capacity.
- 3.18 Storage bottle (amber glass), of 1000 mL capacity.
- 3.19 Magnetic stirrer and stirring bar.
- 3.20 Flask shaker.
- 3.21 Centrifuge.

4 Materials

The following materials are required:

- 4.1 Distilled water or an equivalent (for example, reverse osmosis water)
- 4.2 Filter paper, Whatman No. 1 or equivalent.

5 Reagents

All reagents are analytical reagent grade and the following are required (Notes 12.1 and 12.2):

- 5.1 Standard sodium chloride solution
 - Heat sodium chloride in a furnace maintained at 250°C for 2 hours and then cool in the desiccator. Dissolve 1.6485 ± 0.0001 g of dry sodium chloride in distilled water (or equivalent).
 - Transfer the solution to a 1000 mL volumetric flask and make up to the mark with distilled water (or equivalent). (1 mL of this solution equals 1 mg of chloride).
- 5.2 Silver nitrate solution
 - Dissolve 4.8 g of silver nitrate in distilled water (or equivalent).
 - Transfer the solution to a 1000 mL volumetric flask and make up to the mark with distilled water (or equivalent).
 - Transfer the solution to a 1000 mL amber glass storage bottle and store in a dark cupboard (Note 12.3).
- 5.3 Potassium chromate indicator solution
 - Dissolve 5 g of potassium chromate in 80 mL of distilled water (or equivalent). While stirring, add dropwise the silver nitrate solution until a permanent red precipitate is produced.
 - Filter the solution and dilute the filtrate by making up to the mark in a 100 mL volumetric flask with distilled water (or equivalent). Transfer the solution to a 100 mL storage bottle.
- 5.4 Sulfuric acid solution
 - Add 0.5 mL of concentrated sulfuric acid by means of a 1 mL pipette to 180 mL of distilled water (or equivalent) in a measuring cylinder.
- 5.5 Sodium carbonate solution
 - Dissolve 1.1 g of sodium carbonate in 200 mL of distilled water (or equivalent) and transfer to a 250 mL storage bottle.
- 5.6 Phenolphthalein indicator solution
 - Dissolve 0.5 g of phenolphthalein in 50 mL of 95% ethanol and then slowly add 50 mL of distilled water (or equivalent), with constant stirring.
 - Filter the solution and then transfer to a 100 mL storage bottle.
- 5.7 Sodium hydroxide solution
 - Dissolve 1 g of sodium hydroxide in distilled water (or equivalent).
 - Transfer the solution to a 100 mL measuring cylinder and make up to 100 mL with distilled water (or equivalent). Stopper the cylinder when not in use.

5.8 Ammonium nitrate.

6 Standardisation of silver nitrate solution

The following procedure shall be performed in duplicate:

- 6.1 Pipette a 25 mL aliquot of standard sodium chloride solution into a 125 mL conical flask.
- 6.2 Using a pasteur pipette add approximately 1 mL of potassium chromate indicator solution to the flask.
- 6.3 Stir the solution using a magnetic stirring bar and titrate with silver nitrate solution to the first permanent red-brown colour change.
- 6.4 Record the volume of the silver nitrate solution titrated to the nearest 0.1 mL.
- 6.5 Calculate the average volume of the duplicate titrations and record to the nearest 0.1 mL (\bar{V}).

7 Preparation of soil sample

The sample shall be prepared as follows:

- 7.1 Prepare a representative subsample of approximately 500 g passing the 9.50 mm sieve as detailed in Test Method Q101, Subsection 6.4 for fine fraction subsamples.
- 7.2 Dry the subsample in an oven at a temperature of 45-50°C.
- 7.3 Crush the subsample to pass a 0.425 mm sieve in accordance with the procedure outlined in Test Method Q101F.

8 Preparation of soil-water extract

The soil-water extract shall be prepared as follows:

- 8.1 Weigh 200 ± 0.1 g of the prepared subsample into a 1000 mL conical flask.
- 8.2 Add 400 ± 1 mL of distilled water (or equivalent) to the flask, then stopper the flask and shake on the flask shaker for 1 hour.
- 8.3 Stand the solution for 30 minutes.
- 8.4 Decant the solution and then centrifuge it for 15 minutes.
- 8.5 Filter the centrifuged solution into a 600 mL beaker.
- 8.6 If the solution is clear, proceed to Step 9.1.
- 8.7 If the solution contains red colloidal clay which will mask the detection of the end point, either:
 - Add 3 mL of sodium hydroxide solution for every 70 mL of filtrate. Place the beaker containing the solution on a steam bath to flocculate the colloid. After flocculation, allow the solution to cool to room temperature and then centrifuge it for 5 minutes before proceeding to Step 9.1, or
 - Add 0.2 g of ammonium nitrate after Step 8.3 and allow the solution to stand for a further 30 minutes. Centrifuge for 5 minutes before proceeding to Step 9.1.

9 Procedure

The following procedure shall be performed in duplicate:

- 9.1 Pipette 50 mL of either the soil-water extract or the water sample into a 250 mL beaker.

- 9.2 Add a few drops of phenolphthalein indicator solution to the beaker by pasteur pipette and stir the contents using the magnetic stirrer and stirring bar.
- 9.3 While stirring, adjust the pH of the contents to 8.2 (the point at which the indicator just changes from pink to colourless) using sulfuric acid solution and/or sodium carbonate solution dropwise as required.
- 9.4 Add approximately 1 mL of potassium chromate indicator solution using a pasteur pipette and titrate the contents with the silver nitrate solution to the first permanent red-brown colour change.
- 9.5 Record the volume of the silver nitrate solution titrated to the nearest 0.1 mL.
- 9.6 Calculate the average volume of the duplicate titrations of the soil-water extract or water sample and recorded to the nearest 0.1 mL (V_t).

10 Calculations

Calculate the chloride content of the sample using one of the following as appropriate:

10.1 Soil samples

$$C = \frac{1000 V_t}{V}$$

- where C = chloride content of sample (mg/kg)
- V_t = average volume of silver nitrate solution titrated against soil-water extract (mL)
- V = average volume of silver nitrate solution titrated during standardisation (mL)

10.2 Water samples

$$C = \frac{500 V_t}{V}$$

- where C = chloride content of sample (mg/L)
- V_t = average volume of silver nitrate solution titrated against the sample (mL)
- V = average volume of silver nitrate solution titrated during standardisation (mL)

11 Reporting

Report the chloride content of the sample to the nearest 10 mg/kg for soil samples and the nearest 10 mg/L for water samples.

12 Notes on method

- 12.1 Before handling chemicals and preparing reagents, the operator should consult the relevant SDS.
- 12.2 Unless otherwise indicated, all reagents are to conform to the specifications of the Committee on Analytical Reagents of the American Chemical Society, where such specifications are available.

- 12.3 Silver nitrate should be handled carefully to avoid any spillage of the solution which readily leaves black stains on bench tops, and so on. Should staining occur, it can be removed using a solution prepared by dissolving 75 g of each of thiourea and citric acid in 1 L of distilled water (or equivalent). This reagent is stable indefinitely.

Test Method Q130B: Chloride content of soil - reinforced earth

1 Source

This method was developed in-house with reference to the procedures described in *A Text-Book of Quantitative Inorganic Analysis including Elementary Instrumental Analysis (3rd Edition)* – Arthur I. Vogel: Section III, 24 – Determination of Chlorides.

2 Scope

This method describes the procedure for determining the chloride content of select backfill material intended for use in reinforced earth structures. Chloride content is determined by water extraction and titrimetric analysis of the chloride ions using silver nitrate solution.

3 Apparatus

The following apparatus is required:

- 3.1 Drying oven of suitable capacity, having a temperature of 105 – 110°C and complying with AS 1289.0.
- 3.2 Balance of suitable capacity, with a resolution of at least 0.1 g and with a limit of performance within the range of ± 0.5 g.
- 3.3 Balance of suitable capacity, with a resolution of at least 0.0001 g and with a limit of performance within the range of ± 0.0005 g.
- 3.4 Steam bath.
- 3.5 Furnace, capable of maintaining a temperature of 250°C.
- 3.6 Hotplate, capable of maintaining a temperature of 150-200°C.
- 3.7 pH meter or pH indicator paper.
- 3.8 Volumetric flasks, of 1000 mL and 100 mL capacity.
- 3.9 Conical flasks, of 125 mL capacity.
- 3.10 Measuring cylinders, of 1000 mL capacity, 100 mL capacity (capable of being stoppered) and 50 mL capacity.
- 3.11 Burette, of 25 mL capacity graduated in 0.1 mL divisions.
- 3.12 Pipettes, bulb type of 50 mL and 25 mL capacity.
- 3.13 Pasteur pipettes.
- 3.14 Pipette filler.
- 3.15 Desiccator, containing silica gel desiccant or equivalent.
- 3.16 Sintered glass funnel.
- 3.17 Glass filter funnel.
- 3.18 Beakers, of 1500 mL, 600 mL and 250 mL capacity.
- 3.19 Container, mixing container of 2 to 5 litre capacity fitted with an airtight lid.
- 3.20 Magnetic stirrer and stirring bar.
- 3.21 Centrifuge.

3.22 Storage bottles (amber glass), of 1000 mL capacity.

3.23 Storage bottles, of 100 mL capacity.

4 Materials

The following materials are required:

4.1 Distilled water or equivalent (for example, reverse osmosis water).

4.2 Filter paper, Whatman No. 542 or equivalent.

5 Reagents

All reagents are analytical reagent grade and the following are required (Notes 11.1 and 11.2):

5.1 Standard sodium chloride solution

- Heat the sodium chloride in a furnace maintained at 250°C for 2 hours and then cool in the desiccator. Dissolve 1.6485 ± 0.0001 g of dry sodium chloride in distilled water (or equivalent).
- Transfer the solution to a 1000 mL volumetric flask and make up to the mark with distilled water (or equivalent). (1 mL of this solution equals 1 mg of chloride).

5.2 Silver nitrate solution

- Dissolve 4.8 g of silver nitrate in distilled water (or equivalent).
- Transfer the solution to a 1000 mL volumetric flask and make up to the mark with distilled water (or equivalent).
- Transfer the solution to a 1000 mL amber glass storage bottle and store in a dark cupboard (Note 11.3).

5.3 Potassium chromate indicator solution

- Dissolve 5 g of potassium chromate in 80 mL of distilled water (or equivalent). While stirring, add dropwise the silver nitrate solution until a permanent red precipitate is produced.
- Filter the solution and dilute the filtrate by making up to the mark in a 100 mL volumetric flask with distilled water (or equivalent). Transfer the solution to a 100 mL storage bottle.

5.4 Phenolphthalein indicator solution

- Dissolve 0.5 g of phenolphthalein in 50 mL of 95% ethanol in a beaker and then slowly add 50 mL of distilled water (or equivalent), with constant stirring.
- Filter the solution and then transfer to a 100 mL storage bottle.

5.5 Potassium permanganate solution

- Dissolve between 3.2 and 3.25 g of potassium permanganate in 1 litre of distilled water (or equivalent) in a 1500 mL beaker.
- Place the beaker and contents onto the hotplate and boil gently for 30 minutes. Remove the beaker and contents from the hotplate and allow to cool to room temperature.
- Filter the solution through a sintered glass funnel into a 1000 mL amber glass storage bottle and store in a dark cupboard.

5.6 Hydrogen peroxide solution

- Decant 10 mL of 30% (W/V) hydrogen peroxide into a 100 mL measuring cylinder and make up to the 100 mL mark with distilled water (or equivalent). Stopper the cylinder when not in use.

5.7 Nitric acid solution

- Decant 60 mL of distilled water (or equivalent) into a 100 mL measuring cylinder and slowly add 10 mL of concentrated nitric acid. Make up to the 100 mL mark with distilled water (or equivalent). Stopper the cylinder when not in use.

5.8 Sodium hydroxide solution

- Dissolve 1 g of sodium hydroxide in distilled water (or equivalent).
- Transfer the solution to a 100 mL measuring cylinder and make up to 100 mL with distilled water (or equivalent). Stopper the cylinder when not in use.

5.9 Calcium carbonate.

5.10 Ammonium nitrate.

6 Standardisation of silver nitrate solution

The following procedure shall be performed in duplicate:

Pipette a 25 mL aliquot of standard sodium chloride solution into a 125 mL conical flask.

- 6.1 Add approximately 1 mL of potassium chromate indicator solution to the flask by pasteur pipette.
- 6.2 Stir the solution using a magnetic stirring bar and titrate with silver nitrate solution to the first permanent red-brown colour change.
- 6.3 Record the volume of the silver nitrate solution titrated to the nearest 0.1 mL.
- 6.4 Calculate the average volume of the duplicate titrations and record to the nearest 0.1 mL (\bar{V}).

7 Preparation of sample extract

The sample shall be prepared as follows:

- 7.1 Prepare a representative subsample of approximately 1000 g passing the 26.5 mm sieve as detailed in Test Method Q101, Subsection 6.4 for fine fraction subsamples.
- 7.2 Dry the subsample in an oven maintained at 105 to 110°C.
- 7.3 Weigh the subsample into the mixing container and record the mass to the nearest 0.1 g (m).
- 7.4 Add 1000 mL of distilled water to the container by measuring cylinder.
- 7.5 Fit the lid to the container and shake by hand for 2 minutes and then allow to stand for 45 minutes.
- 7.6 Shake the container for a further 2 minutes and then allow to stand for 15 minutes.
- 7.7 Carefully decant the extract solution from the container, centrifuge to separate fines and then filter.

- 7.8 If a colloidal precipitate still remains after filtration, either:
- Add 10 mL of the sodium hydroxide solution to the filtrate to flocculate the precipitate and repeat Step 7.7, or
 - Add 0.2 g of ammonium nitrate and allow the solution to stand. Centrifuge for 5 minutes and then filter.

8 Procedure

The following procedure shall be performed in duplicate:

- 8.1 Pipette 100 mL (V_s) of the sample extract into a 250 mL beaker.
- 8.2 Using a pasteur pipette and the magnetic stirring bar and stirrer, add potassium permanganate solution dropwise to the extract with constant stirring until a permanent pink colour is obtained (Note 11.4).
- 8.3 Render the solution colourless by adding 1 drop of the hydrogen peroxide solution using a pasteur pipette (Note 11.4).
- 8.4 Check the neutrality of the solution using pH indicator paper or a pH meter.
- 8.4.1 If the solution is acidic, neutralise by adding a minimal quantity of calcium carbonate (approximately 0.1 g is usually sufficient) and allowing the solution to stand for a few minutes.
- 8.4.2 If the solution is alkaline, neutralise by adding 4 to 5 drops of phenolphthalein indicator solution and nitric acid solution dropwise until the colour changes from pink to just colourless.
- 8.5 Add approximately 1 mL of the potassium chromate indicator to the solution and titrate with the silver nitrate solution to the first permanent red-brown colour change.
- 8.6 Record the volume of silver nitrate solution titrated to the nearest 0.1 mL (V_t).
- 8.7 Perform a blank titration substituting 100 mL of distilled water (or equivalent) for the sample extract, and repeating Steps 8.1 to 8.5. Record the volume of the blank titration to the nearest 0.1 mL (V_b).
- 8.8 If the chloride content of the sample calculated as described in Step 9.1 is below 5 mg/kg, reject the result and repeat the procedure as follows:
- 8.8.1 Pipette 200 mL (V_s) of the sample extract into a 600 mL beaker and concentrate by evaporation on a steam bath to approximately 100 mL.
- 8.8.2 Repeat Steps 8.2 to 8.6 on the concentrated sample.
- 8.9 If the chloride content of the sample calculated as described in Step 9.1 is above 150 mg/kg, reject the result and repeat the procedure as follows:
- 8.9.1 Pipette 50 mL (V_s) of the sample extract into a 250 mL beaker and dilute with distilled water (or equivalent) to approximately 100 mL.
- 8.9.2 Repeat Steps 8.2 to 8.6, on the diluted sample.

9 Calculations

- 9.1 Calculate the chloride content of the sample for each run of the procedure to the nearest 1 mg/kg as follows:

$$C = \frac{25 (V_t - V_b) 10^6}{V V_s m}$$

where	C	=	chloride content of sample (mg/kg)
	V_t	=	volume of silver nitrate solution titrated against sample aliquot extract (mL)
	V_b	=	volume of silver nitrate solution titrated against blank (mL)
	V	=	average volume of silver nitrate solution titrated during standardisation (mL)
	V_s	=	volume of sample extract (mL) (the value is 100, 200 or 50 if Step 8.1, 8.8.1 or 8.9.1 is followed respectively)
	m	=	mass of subsample (g)

- 9.2 Calculate the average of the two results and record as the chloride content of the sample to the nearest 1 mg/kg.

10 Reporting

Report the chloride content of the sample to the nearest 10 mg/kg.

11 Notes on method

- 11.1 Before handling chemicals and preparing reagents, the operator should consult the relevant SDS.
- 11.2 Unless otherwise indicated, all reagents are to conform to the specifications of the Committee on Analytical Reagents of the American Chemical Society, where such specifications are available.
- 11.3 Silver nitrate should be handled carefully to avoid any spillage of the solution which readily leaves black stains on bench tops and so on. Should staining occur, it can be removed using a reagent prepared by dissolving 75 g of each of thiourea and citric acid in 1 L of distilled water (or equivalent). This reagent is stable indefinitely.
- 11.4 Potassium permanganate solution and hydrogen peroxide solution are added to the sample extract aliquot to remove any sulphides or sulphites which may be present.

Test Method Q131B: Sulfate content of soil - reinforced earth

1 Source

This method was developed in-house with reference to the procedures described in *A Text-Book of Quantitative Inorganic Analysis including Elementary Instrumental Analysis (3rd Edition)* – Arthur I. Vogel: Section V, 6 – Determination of Sulfate as Barium Sulfate.

2 Scope

This method describes the procedure for determining the sulfate content of select backfill material intended for use in reinforced earth structures. Sulfate content is determined gravimetrically as barium sulfate following water extraction and precipitation of the sulfate with barium chloride solution.

3 Apparatus

The following apparatus is required:

- 3.1 Drying oven of suitable capacity, having a temperature of 105-110°C and complying with AS 1289.0.
- 3.2 Balance of suitable capacity, with a resolution of at least 0.1 g and with a limit of performance within the range of ± 0.5 g.
- 3.3 Balance of suitable capacity, with a resolution of at least 0.0001 g and with a limit of performance within the range of ± 0.0005 g.
- 3.4 Steam bath.
- 3.5 Furnace, capable of maintaining temperature up to 800°C.
- 3.6 Hotplate, capable of maintaining a temperature of 150-200°C.
- 3.7 Volumetric flasks, of 1000 mL and 100 mL capacity.
- 3.8 Measuring cylinders, of 1000 mL capacity and 100 mL capacity (capable of being stoppered).
- 3.9 Pipettes, bulb type of 100 mL and 50 mL capacity, and graduated type of 5 mL capacity.
- 3.10 Pasteur pipettes.
- 3.11 Pipette filler.
- 3.12 Desiccator, containing silica gel desiccant or equivalent.
- 3.13 Crucibles, silica or platinum crucibles.
- 3.14 Crucible tongs.
- 3.15 Glass filter funnels.
- 3.16 Beakers, of 400 mL capacity.
- 3.17 Storage bottle (amber glass), of 150 mL capacity.
- 3.18 Centrifuge.
- 3.19 Container, mixing container of 2 to 5 litre capacity fitted with an airtight lid.

4 Materials

The following materials are required:

- 4.1 Distilled water or equivalent (for example, reverse osmosis water).
- 4.2 Filter paper, Whatman No. 542 or equivalent.

5 Reagents

All reagents are analytical reagent grade and the following are required (Notes 10.1 and 10.2):

- 5.1 Hydrochloric acid, concentrated (31-32% w/w).
- 5.2 Nitric acid, concentrated (70% w/w).
- 5.3 Barium chloride solution
 - Dissolve approximately 100 g of barium chloride in distilled water (or equivalent).
 - Transfer the solution to a 1000 mL volumetric flask and make up to the mark with distilled water (or equivalent).
- 5.4 Silver nitrate solution
 - Dissolve approximately 1 g of silver nitrate in distilled water (or equivalent).
 - Transfer the solution to a 100 mL volumetric flask and make up to the mark with distilled water (or equivalent).
 - Transfer the solution to a 150 mL amber glass storage bottle and store in a dark cupboard (Note 10.3).
- 5.5 Sodium hydroxide solution
 - Dissolve approximately 1 g of sodium hydroxide in distilled water (or equivalent).
 - Transfer the solution to a 100 mL measuring cylinder and make up to 100 mL with distilled water (or equivalent). Stopper the cylinder when not in use.

6 Preparation of sample extract

The sample shall be prepared as follows:

- 6.1 Prepare a representative subsample of approximately 1000 g passing the 26.5 mm sieve as detailed in Test Method Q101, Subsection 6.4 for fine fraction subsamples.
- 6.2 Dry the subsample in an oven maintained at 105 to 110°C.
- 6.3 Weigh the subsample into the mixing container and record the mass to the nearest 0.1 g (m_1).
- 6.4 Add 1000 mL distilled water (or equivalent) to the container by measuring cylinder.
- 6.5 Fit the lid to the container and shake by hand for 2 minutes then allow to stand for 45 minutes.
- 6.6 Shake the container for a further 2 minutes and then allow to stand for 15 minutes.
- 6.7 Carefully decant the extract solution from the container, centrifuge to separate fines and then filter.

7 Procedure

The following procedure shall be performed in duplicate:

- 7.1 Pipette 250 mL of the sample extract into a 400 mL beaker.

- 7.2 Add 2 mL of concentrated hydrochloric acid to the extract by means of the graduated pipette to prevent any subsequent precipitation of carbonates.
- 7.3 Place the beaker and contents on the hotplate and heat to boiling.
- 7.4 Remove the beaker from the hotplate and place on the steam bath to maintain gentle boiling of the contents.
- 7.5 Add barium chloride solution dropwise to the contents, ensuring that no interruption to the boiling occurs and until precipitation appears complete.
- 7.6 Remove the beaker from the steam bath and allow the precipitate to settle. Add a few drops of barium chloride solution to the clear supernatant liquid to ensure complete precipitation of barium sulfate has occurred.
- 7.7 If precipitation is incomplete, add additional barium chloride solution and return the beaker to the steam bath for 1 hour, maintaining gentle boiling.
- 7.8 Remove the beaker from the steam bath and allow to cool to room temperature.
- 7.9 Filter the contents of the beaker carefully ensuring that all of the precipitate is transferred from the beaker to the filter paper.
- 7.10 Wash the precipitate several times with approximately 30 mL of boiling distilled water (or equivalent) until the washings are chloride free (Note 10.4).
- 7.11 Heat a crucible for 1 hour in the furnace at 600 - 800°C, cool to room temperature in the desiccator and weigh to the nearest 0.0001 g.
- 7.12 Repeat Step 7.11 until constant mass is attained (Note 10.5). Record the mass of the final weighing to the nearest 0.0001 g (m_2).
- 7.13 Carefully transfer the filter paper containing the precipitate to the crucible and dry at approximately 100°C in the furnace.
- 7.14 Place the lid on the crucible and gradually increase the temperature of the furnace to about 250°C over approximately 1 hour. Further increase the temperature of the furnace to 600-800°C and hold at this temperature for 1 hour.
- 7.15 Remove the crucible from the furnace and allow to cool in the desiccator.
- 7.16 Add 3 or 4 drops of concentrated nitric acid to the residue in the crucible and evaporate on the steam bath.
- 7.17 Heat the crucible in the furnace at 600-800°C for 1 hour, cool to room temperature in the desiccator and weigh to the nearest 0.0001 g.
- 7.18 Repeat Step 7.17 until subsequent weighings of the crucible do not vary by more than ± 0.0002 g. Record the mass of the final weighing to the nearest 0.0001 g (m_3).

8 Calculations

Calculations shall be as follows:

- 8.1 Calculate the sulfate content for each run of the procedure to the nearest 1 mg/kg as follows:

$$S = \frac{1.646 \times 10^6 (m_3 - m_2)}{m_1}$$

- where S = sulfate content (mg/kg)
m₁ = mass of subsample (g)
m₂ = mass of crucible (g)
m₃ = mass of crucible and residue (g)

- 8.2 Calculate the average of the two results and record as the sulfate content of the sample to the nearest 1 mg/kg.

9 Reporting

Report the sulfate content of the sample to the nearest 1 mg/kg as SO₄²⁻.

10 Notes on method

- 10.1 Before handling chemicals and preparing reagents, the operator should consult the relevant SDS.
- 10.2 Unless otherwise indicated, all reagents are to conform to the specifications of the Committee on Analytical Reagents of the American Chemical Society, where such specifications are available.
- 10.3 Silver nitrate should be handled carefully to avoid any spillage of the solution which readily leaves black stains on bench tops and so on. Should staining occur, it can be removed using a reagent prepared by dissolving 75 g of each of thiourea and citric acid in 1 L of distilled water (or equivalent). This reagent is stable indefinitely.
- 10.4 To ensure the washings are free from chlorides, approximately 10 mL of the washings should be acidified with 3 drops of concentrated nitric acid and silver nitrate added dropwise. If a white precipitate or cloudiness forms, further washing of the precipitate with boiling distilled water (or equivalent) should be carried out until the addition of silver nitrate produces no white discoloration.

Test Method Q133: Lime demand of soil

1 Source

This method was developed in-house and is based on the procedure described in “*A Quick Test to Determine Lime Requirements for Soil Stabilisation*”, Eades, J.L., and Grim, R.E. (1966): Highway Research Record No. 139.

2 Scope

This method describes the procedure to determine the degree to which a soil will react with calcium hydroxide through cationic exchange and pozzolanic responses from reactive clay minerals. The method provides for the determination of the lime demand (percent lime), as measured using an extended pH test. The lime demand is a minimum lime content in determining the design lime content. The lime demand test provides lime contents that correspond well with optimum lime contents for long-term effective stabilisation.

3 Apparatus

The following apparatus is required:

- 3.1 pH meter, equipped with combination type, high alkaline pH electrode (Note 8.1).
- 3.2 Balance of suitable capacity, with a resolution of 0.01 g and with a limit of performance within the range ± 0.05 g.
- 3.3 Sieve, 2.36 mm complying with ISO 3310.
- 3.4 Beakers, 100 mL.
- 3.5 Watchglasses, of appropriate size to cover the 100 mL beakers.
- 3.6 Measuring cylinder, of 100 mL capacity.
- 3.7 Magnetic stirrer.
- 3.8 Magnetic stirrer bar.
- 3.9 Wash bottle.
- 3.10 Glass stirring rod.

4 Materials

The following materials are required:

- 4.1 Neutral and high pH buffer solutions as recommended by the manufacturer of the pH meter, for example, pH of 7 and pH of 10 to 12 (Note 8.2).
- 4.2 Fresh sample of hydrated lime of known available lime content and complying with AS 1672.1: *Limes and Limestones* (Notes 8.3 and 8.4).
- 4.3 Distilled water.

5 Procedure

The procedure shall be as follows:

5.1 Sample preparation

- 5.1.1 Prepare the bulk sample as detailed in Section 5 of Test Method Q101 to produce a representative subsample of appropriate size.
- 5.1.2 Further prepare the material to produce a subsample of approximately 600 g passing the 2.36 mm sieve as detailed in Test Method Q101, Subsection 6.4 for fine fraction subsamples.
- 5.1.3 Prepare representative test portions as follows:
- One test portion for hygroscopic moisture content, and
 - One test portion of about 500 g for pH testing and place in an airtight container.
- 5.1.4 Determine the hygroscopic moisture content (w_1) of the test portion prepared in Step 5.1.3 a) as detailed in Test Method AS 1289.2.1.1.

5.2 Calculation of test masses

For each lime increment calculate the mass of soil and mass of hydrated lime to be used, based on a combined dry mass of 30 g as follows (Note 8.5):

5.2.1 Mass of Soil Test Portion

$$m_w = \left(\frac{30}{1 + \frac{p}{100}} \right) \left(1 + \frac{w_1}{100} \right)$$

- where m_w = mass of soil (g)
- w_1 = hygroscopic moisture content (%)
- p = lime content (%)

5.2.2 Mass of hydrated lime

$$m_l = 30 - \left(\frac{30}{1 + \frac{p}{100}} \right)$$

- where m_l = mass of lime (g)
- p = lime content (%)

5.3 Calibration of pH meter

- 5.3.1 Wash the electrode with distilled water and calibrate the pH meter by means of the standard buffer solutions, following the procedure recommended by the manufacturer (Note 8.2).
- 5.3.2 Wash the electrode with distilled water and leave it in a beaker of distilled water when not in use.

5.4 pH determination

- 5.4.1 Prepare the required number of test portions with individual masses as calculated in Step 5.2.1, as detailed in Test Method Q101B, Subsection 4.2 and place the test portions in suitably marked beakers.
- 5.4.2 Add the corresponding mass of hydrated lime as calculated in Step 5.2.2 to each beaker and thoroughly mix the constituents using a glass stirring rod. Add 5 g of hydrated lime to another beaker. Then cover each beaker with a watchglass.
- 5.4.3 Add 75 mL of distilled water to the beaker containing the hydrated lime only.
- 5.4.4 Mix the suspension using the magnetic stirrer and then cover the beaker with a watch glass and allow it to stand for 2 hours.
- 5.4.5 Restart the stirrer and lower the pH electrode into the suspension until the bulb is just covered.
- 5.4.6 Read the pH meter at 1 minute intervals and continue readings until three successive values are within a range of 0.05 pH units. Record these values to the nearest 0.01 units together with the average pH value (Note 8.6).
- 5.4.7 Remove the electrode from the beaker, wash it with distilled water and check the reading of the meter as detailed in Subsection 5.3 using the higher pH buffer solution. If the reading varies by more than 0.05 pH units from that determined during calibration, repeat Steps 5.3.1 to 5.4.6.
- 5.4.8 Test each of the soil-lime mixtures in order, commencing with the lowest lime content, by repeating Steps 5.4.4 to 5.4.7 after adding 75 mL of distilled water to the beaker.
- 5.4.9 Continue testing until the average pH values of the three highest lime contents do not vary by more than 0.05 pH units. If the test portions prepared do not achieve this requirement, calculate the mass of constituents for a further number of higher lime contents and undertake additional testing as detailed in Subsections 5.2 and 5.4.

6 Calculations

Calculations shall be as follows:

- 6.1 Plot the average pH against its hydrated lime content and join each point. Next, draw a line parallel to the X-axis corresponding to the pH for hydrated lime.
- 6.2 Record the lowest hydrated lime content (HLC) where the pH just reaches a stable peak value, that is, a plateau where the pH values do not vary by more than 0.05 pH units over three successive soil-lime mixtures (Figure 1 and Note 8.7).

7 Reporting

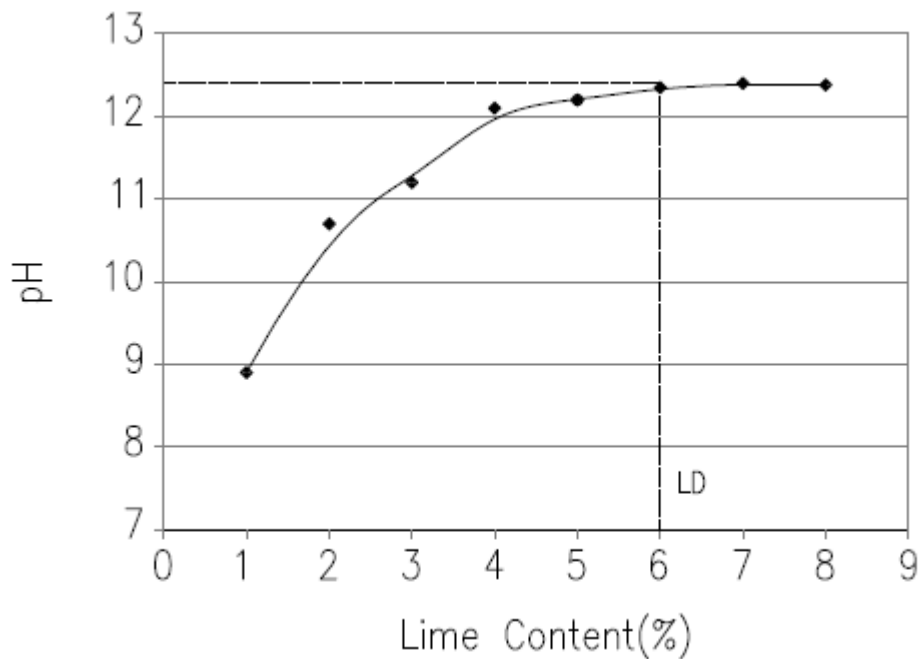
Report the hydrated lime content (HLC) as the lime demand for the soil to the nearest 0.5%.

8 Notes on method

- 8.1 An electrode manufactured using a medium lithium glass is satisfactory for measuring pH up to 12.4 as required by this method.
- 8.2 The shelf life of pH of 7 buffer solution is usually 12 months, while that of pH of 10 to 12 buffer solution is about 6 months. Refrigerate buffer solutions after use and exercise care to ensure no contamination of the solutions through reuse or carbonation by exposure to air occurs.

- 8.3 Determine the available lime content as detailed in Test Method AS 4489.6.1: *Test methods for limes and limestones – Lime index – Available lime.*
- 8.4 Before handling hydrated lime, the operator should consult the relevant SDS.
- 8.5 Add lime at 1 percent increments commencing at a lime content of 1 percent. The number of lime increments used in any test is dependent on the reactivity of soil under consideration. Six increments are appropriate for a medium plasticity soil, while up to 10 increments may be necessary for a highly plastic soil.
- 8.6 The pH readings of the soil-lime suspension should reach a constant value in 2 to 3 minutes.
- 8.7 The stable pH value of the soil-lime mixture should be the same as the pH of the hydrated lime mixture. The presence of cations such as sodium in the soil pore water may reduce the solubility of the hydrated lime, thus reducing the pH of the solution. Occasionally the soil-lime mixture may plateau at values of 12.2 or even slightly lower, which is below the pH value of 12.4 for hydrated lime under standard conditions.

Figure 1 – pH / hydrated lime content



Test Method Q134: Stabilising agent content - heat of neutralisation

1 Source

This method was developed in-house and is based on the procedure described in *H.D Taskis: Estimation of Cement Content of Stabilised Crushed Rock; A Method of Eliminating Errors due to Aggregate Reaction, ARRB Conference, Volume 2, 1964.*

2 Scope

This method describes the procedure to determine the stabilising agent content of fresh mixtures of soil or crushed rock that have been modified or stabilised with a stabilising agent (cement or lime). The method relies on the exothermic reaction of free alkalis in the stabilising agent with a buffered acetic acid solution and is limited to stabilising agent types and concentrations that produce an effective temperature rise of at least 4°C. Results are reliable, when the testing procedure is completed within four hours of the mixing of the soil or crushed rock with the stabilising agent.

The method is generally not suitable for materials that contain significant quantities of carbonate compounds since the carbonate reacts with the buffer solution to produce carbon dioxide and heat.

3 Apparatus

The following apparatus is required:

- 3.1 Thermometer, a partial immersion thermometer or other suitable temperature measuring device with a temperature range of at least 0-60°C and graduated to 0.1°C or less with an uncertainty of no more than 0.5°C.
- 3.2 Balance of suitable capacity, with a resolution and limit of performance as specified in Table 1.
- 3.3 Measuring cylinders, of 1000 mL and 2000 mL capacity.
- 3.4 Mixing containers, having a capacity approximately 30% larger than the combined volume of solids and liquids used in the test.
- 3.5 Timer, such as stopwatch.
- 3.6 Mechanical mixer, a motorised or a hand operated tumbler mixer that rotates at a constant rate and provides complete mixing of the constituents. A suitable mixer speed is 20 rpm.
- 3.7 Cloth, container and potable water for cleaning thermometer after each measurement.

4 Reagents

All reagents are laboratory reagent grade and the following are required:

- 4.1 Buffer solution:
 - Prepare by dissolving 250 g of sodium acetate, 240 g of glacial acetic acid in about 500 mL of potable water (Notes 9.1 and 9.2). Make up to one litre using additional potable water.

5 Calibration

Perform the calibration for each combination of stabilising agent, admixture and soil or crushed rock to be stabilised as follows:

5.1 Sample preparation

- 5.1.1 Prepare the bulk sample as detailed in Section 5 of Test Method Q101 to produce a representative subsample of appropriate size. It may be necessary to dry the bulk sample before preparation so that the material is sufficiently dry to allow uniform mixing of the stabilising agent with the host material.
- 5.1.2 Prepare at least 12 subsamples and a single test portion for determining hygroscopic moisture content as detailed in Test Method Q101, Steps 6.2.4 to 6.2.6, which are of sufficient size to yield the soil masses determined in Subsection 5.2. Refer to Table 1 for minimum test subsample masses.
- 5.1.3 Determine the moisture content (w) of the hygroscopic moisture test portion prepared in Step 5.1.2 as detailed in Test Method AS 1289.2.1.1.
- 5.1.4 Bring the remaining subsamples, apparatus and buffer solution to the temperature of the test environment at least 2 hours before testing is to commence (Notes 9.3 and 9.4).

5.2 Test portion calculations

- 5.2.1 Calculate the mass of wet material, mass of water and mass of stabilising agent over the range $\pm 1.0\%$ of target content of stabilising agent in increments of 0.5% with the minimum content not being less than 0.5%. Where the target content of stabilising agent is less than 1.5%, only four contents are to be calculated.
- 5.2.2 Calculate the mass of wet material for each stabilising agent content as follows:

$$m_d = \frac{M}{1 + \frac{A}{100} + \frac{OMC}{100} \left(1 + \frac{A}{100}\right)}$$

- where m_d = mass of dry material (g)
- M = mass of test portion (material, water and stabilising agent) to be used in the calibration from Table 1 (g)
- A = stabilising agent content (%)
- OMC = optimum moisture content (%)

$$m_w = m_d \left(1 + \frac{w}{100}\right)$$

- where m_w = mass of wet material (g)
- m_d = mass of dry material (g)
- w = hygroscopic moisture content (%)

- 5.2.3 Calculate the mass of stabilising agent for each stabilising agent content as follows:

$$m_a = \frac{m_d A}{100}$$

- where m_a = mass of stabilising agent (g)
- m_d = mass of dry material (g)
- A = stabilising agent content (%)

5.2.4 Calculate the mass of water for each stabilising agent content as follows:

$$m = (m_d + m_a) \frac{OMC}{100} - (m_w - m_d)$$

where	m	=	mass of water (g)
	m_d	=	mass of dry material (g)
	m_a	=	mass of stabilising agent (g)
	OMC	=	optimum moisture content (%)
	m_w	=	mass of wet material (g)

5.3 Minimum sample size

Optimise the minimum sample size for the lowest stabilising agent content (target content of stabilising agent minus 1%) as follows:

- 5.3.1 Using one of the subsamples, obtain a test portion having a wet material mass as calculated in Step 5.2.2 for the lowest stabilising agent content. For low stabilising agent contents in the range of 1 to 2% a test portion size of 3000 or 4000 g will be suitable.
- 5.3.2 Weigh the required mass of stabilising agent and thoroughly mix it with the test portion.
- 5.3.3 Weigh the required mass of water. Then mix it with the material and stabilising agent for two minutes using the mechanical mixer or by hand.
- 5.3.4 Measure out a volume of buffer solution (V_c) that, when mixed in the mechanical mixer with the material, stabilising agent and water mixture, will achieve a temperature rise of at least 4°C at the completion of four minutes mixing (Note 9.5).
- 5.3.5 If the mixture fails to achieve the temperature rise, repeat Steps 5.3.1 to 5.3.4, adjusting the volume of buffer solution to obtain a suitable temperature rise.

5.4 Buffer solution content

Optimise the buffer solution content for the highest stabilising agent content (target content of stabilising agent plus 1%) as follows:

- 5.4.1 Using one of the subsamples, obtain a test portion having a wet material mass as calculated in Step 5.2.2 for the highest stabilising agent content.
- 5.4.2 Weigh the required mass of stabilising agent and thoroughly mix it with the test portion.
- 5.4.3 Weigh the required mass of water. Then mix it with the material and stabilising agent for two minutes using the mechanical mixer or by hand.
- 5.4.4 Measure out a volume of buffer solution (V_c) that, when mixed in the mechanical mixer with the material, stabilising agent and water mixture, will have a thick consistency at the completion of four minutes mixing (Note 9.5).
- 5.4.5 If the mixture either forms a gel or is fluid-like, repeat Steps 5.4.1 to 5.4.4, adjusting the volume of buffer solution to obtain a thick consistency.

5.5 Procedure

For each of the stabilising agent contents, undertake the following:

- 5.5.1 Using one of the subsamples, obtain a test portion of appropriate mass and place it in the mixing container or mixing tray.
- 5.5.2 Weigh the required mass of stabilising agent and thoroughly mix it with the test portion.
- 5.5.3 Weigh the required mass of water and mix it with the material and stabilising agent for exactly two minutes using the mechanical mixer or by hand.
- 5.5.4 At the completion of mixing, insert the thermometer in the mixture and record the temperature (T_{c1}) after 60 seconds.
- 5.5.5 Measure out the required volume of buffer solution (V_c) and insert the thermometer in the solution and record the temperature (T_{c2}) after 60 seconds.
- 5.5.6 Add the buffer solution to the material, stabilising agent and water mixture, then immediately mix in the mechanical mixer for exactly four minutes, timed from the start of mixing.
- 5.5.7 At the completion of mixing, insert the thermometer into the mixture and record the temperature (T_{c3}) after 60 seconds.
- 5.5.8 Repeat Steps 5.5.1 to 5.5.7 with the same stabilising agent content.
- 5.5.9 Repeat Steps 5.5.1 to 5.5.8 for each remaining stabilising agent content.

6 Test procedure

The procedure shall be as follows:

- 6.1 Prior to the commencement of each test. Ensure all apparatus and including the mixing container and buffer solution has equilibrated to temperature of the test environment (Note 9.3).
- 6.2 Obtain a representative sample of the mixed material as soon as possible after the completion of mixing.
- 6.3 Prepare a test portion of the sample by splitting as detailed in Test Method Q101B to produce a test portion within 0.5% of the average mass used in the calibration.
- 6.4 Place the test portion in the mixing container, insert the thermometer and record the temperature (T_1) after 60 seconds.
- 6.5 Measure out the same volume of buffer solution (V_c) as used in the calibration and insert the thermometer in the solution and record the temperature (T_2) after 60 seconds.
- 6.6 If the temperature difference between the sample and the buffer solution exceeds 3°C, heat or cool the test portion as appropriate and repeat Steps 6.3 to 6.4 before continuing (Notes 9.4 and 9.6).
- 6.7 Add the buffer solution to the test portion, then immediately mix in the mechanical mixer for exactly four minutes timed from the start of mixing.
- 6.8 At the completion of mixing, insert the thermometer in the mixture and record the temperature (T_3) after 60 seconds.

7 Calculations

Calculations shall be as follows:

7.1 Calibration

7.1.1 Calculate the temperature rise to the nearest 0.01°C for each test portion as follows:

$$\Delta T_c = T_{c3} - \left(\frac{0.0003MT_{c1} + 1.2V_c T_{c2}}{0.0003M + 1.2V_c} \right)$$

- where ΔT_c = temperature rise (°C)
 T_{c3} = temperature of the material, stabilising agent, water and buffer solution mixture (°C)
 M = mass of test portion (material, stabilising agent and water) (g)
 T_{c1} = temperature of the material, stabilising agent and water (°C)
 V_c = volume of buffer solution (L)
 T_{c2} = temperature of the buffer solution (°C)

7.1.2 Determine the relationship between the stabilising agent content and temperature rise using linear regression analysis of the following relationship:

$$y = bx + a$$

- where y = stabilising agent content (A) (%)
 b = slope of linear relationship
 x = temperature rise (ΔT_c) (°C)
 a = y intercept of linear relationship

a) Determine the slope of the linear relationship as follows:

$$b = \frac{n \sum xy - \sum x \sum y}{n \sum x^2 - (\sum x)^2}$$

- where b = slope of linear relationship
 $\sum x$ = sum of the temperature rise measurements (ΔT_c)
 $\sum y$ = sum of the stabilising agent contents
 $\sum x^2$ = sum of the squares of the temperature rise measurements (ΔT_c)
 $\sum xy$ = sum of the products of the corresponding results from the temperature rise measurements (ΔT_c) and the stabilising agent contents
 n = number of pairs of test measurements

b) Determine the y intercept of the linear relationship as follows:

$$a = \frac{1}{n} (\sum y - b \sum x)$$

- where a = y intercept of linear relationship
 n = number of pairs of test measurements

- Σy = sum of the stabilising agent contents
- b = slope of linear relationship
- Σx = sum of the temperature rise measurements (ΔT_c)

c) Repeat any point that is at variance with the trend of the calibration and re-analyse the test data.

7.1.3 Determine the calibration constant (c) as follows:

$$c = \left(\frac{0.0003Mb}{0.0003M + 1.2V_c} \right)$$

- where c = calibration constant
- M = mass of test portion (material, stabilising agent and water) (g)
- b = slope of linear relationship
- V_c = volume of buffer solution (L)

7.1.4 Determine the calibration constant (d) as follows:

$$d = \left(\frac{1.2V_c b}{0.0003M + 1.2V_c} \right)$$

- where d = calibration constant
- V_c = volume of buffer solution (L)
- b = slope of linear relationship
- M = mass of test portion (material, stabilising agent and water) (g)

7.2 Test

7.2.1 Calculate the stabilising agent content using the calibration constants for the combination of stabilising agent, admixture and soil or crushed rock tested as follows:

$$A = bT_3 - cT_1 - dT_2 + a$$

- where A = stabilising agent content (%)
- b = slope of linear relationship
- T_3 = temperature of the material, stabilising agent, water and buffer solution mixture ($^{\circ}\text{C}$)
- c = calibration constant
- T_1 = temperature of the test portion (material, stabilising agent and water) ($^{\circ}\text{C}$)
- d = calibration constant
- T_2 = temperature of the buffer solution ($^{\circ}\text{C}$)
- a = y intercept of linear relationship

8 Reporting

The following shall be reported:

8.1 Calibration

- 8.1.1 The relationship between the stabilising agent content (y) and temperature rise (x) in the form: $A = bT_3 - cT_1 - dT_2 + a$. Report the values of b, c and d to the nearest 0.0001 and a to the nearest 0.001.
- 8.1.2 The range of stabilising agent contents used in the calibration to the nearest 0.1%.
- 8.1.3 The combined mass of material, stabilising agent and water used in the calibration to nearest 1 g.
- 8.1.4 The volume of buffer solution used to the nearest 10 mL.
- 8.1.5 General information:
- source and description of the soil or crushed rock.
 - source, ATIC Registration number and type of stabilising agent (Note 9.7).

8.2 Test Result

- 8.2.1 The stabilising agent content to the nearest 0.1%.

9 Notes on method

- 9.1 Before handling sodium acetate or acetic acid, the operator should consult the relevant SDS.
- 9.2 The shelf life of the buffer solution is 90 days when stored at $23^{\circ}\text{C} \pm 3^{\circ}\text{C}$ (air-conditioned environment), otherwise 7 days.
- 9.3 The test environment is an area that is isolated from drafts and heat sources, that is, a relatively uniform temperature. The calibration and the testing should be performed in the same environment.
- 9.4 Normally test portions and equipment will reach the temperature of the test environment within 30 minutes. The temperature difference between the test portion and the buffer solution should not exceed 3°C .
- 9.5 The ratio of buffer solution to test portion can vary from 1 litre per 1000 g for a reactive stabilising agent to 1 litre per 5000 g for an unreactive stabilising agent. For a particular stabilising agent composition, the volume of buffer solution increases with increasing target content of stabilising agent.
- 9.6 The following techniques for warming or cooling a test portion such as:
- spreading it thinly on a tray and covering the material with a damp cloth
 - spreading it thinly on a tray, covering with a dry cloth and directing warm air over the material, or
 - placing the material in a plastic bag and immersing in a water bath,
- have been found to be suitable.
- 9.7 The supplier of the cementitious materials can supply this information. Further details are available from the Australian Technical Infrastructure Committee (ATIC), *Cementitious Materials Registration Scheme (CMRS), Registered Products List*.

Table 1 – Test portion and general balance requirements

Material type	Test portion minimum mass (g)	Balance resolution (g)	Limit of performance of balance (g)
Medium-grained material with 0-20% retained on 19.0 mm sieve	1000	0.1	± 0.5
Coarse-grained material with 0-20% retained on 37.5 mm sieve	5000	1	± 5
Stabilising agent for calibration	-	0.1	± 0.5
Water for calibration	-	0.1	± 0.5

Test Method Q135A: Addition of stabilising agents

1 Source

This method was developed in-house using techniques evolved through internal departmental research investigations.

2 Scope

This method describes the procedure for calculating the quantity of stabilising agent(s) and any specified admixture(s) to add to a host soil or crushed rock as well as the procedures for mixing, by either hand or machine, the constituent materials and the conditioning of the mixture prior to compaction. The mixing process allows for the incorporation of one or more stabilising agents and provides the techniques for the addition of hydraulic, bituminous or ionic agents.

3 Apparatus

Where appropriate, the working tolerances of particular apparatus are contained in Table 1.

The following apparatus is required:

3.1 Mixing apparatus

- 3.1.1 For hand mixing, miscellaneous mixing apparatus, such as a tray, trowel or scoop and water spray suitable for mixing stabilising agent and water increments into the material.
- 3.1.2 For machine mixing, mechanical mixing equipment, for example, pugmill or catering style dough mixer capable of mixing stabilised portions.
- 3.1.3 Suitable tools for removing all materials from mixer such as a mallet, spatula and scoop.
- 3.1.4 Sealable containers, suitable for curing mixed test portions.

3.2 Amelioration apparatus

For amelioration, the following additional apparatus is required:

- 3.2.1 Air curing environment as detailed in Test Method Q135B.
- 3.2.2 Metal moulds, of a size dependent on the maximum size of material being tested, as follows:
 - 3.2.3 For compaction of material passing a 19.0 mm sieve:

Mould A: A cylindrical metal mould having an internal diameter of 105 mm and effective height of 115.5 mm, fitted with a detachable baseplate and a removable collar assembly about 60 mm high both of which can be firmly attached to the mould.
 - 3.2.4 For compaction of material which has rock material retained on the 19.0 mm sieve:

Mould B: A cylindrical metal mould having an internal diameter of 152 mm and an effective height of 132.5 mm, fitted with a detachable baseplate and a removable collar assembly about 60 mm high both of which can be firmly attached to the mould.
- 3.2.5 Rammer, a metal rammer having a 50 mm diameter face, a drop mass of 2700 g and a drop height of 300 mm. A mechanical compactor may be used provided the essential dimensions are adhered to and the rammer has a free vertical fall of the correct height with blows being uniformly distributed and in keeping with any prescribed cycle of blows. The design of the compactor allows attachment of the mould to a level and rigid support base. The difference between maximum dry density determinations using manual or mechanical compaction is less than 2%.

- 3.2.6 Level rigid foundation on which to compact the specimen, for example a sound concrete floor about 100 mm or more in thickness or a concrete block of at least 100 kg mass.
- 3.3 Balance of suitable capacity, with a resolution of at least 0.1 g and with a limit of performance within the range of 0.5 g (Note 9.1).
- 3.4 Measuring cylinders of 10 mL or 50 mL capacity as required.

4 Stabilising agents

Stabilising agents used in laboratory testing shall be fresh samples of the same type, manufacturer and supplier as expected for the field application. Do not use bagged supplies. Obtain the ATIC Registration number for all cementitious materials (Note 9.3). However, due to safety issues and the need to control compaction do not use quicklime for laboratory testing. Instead, use a high quality, fresh hydrated lime complying with AS 1672.1: *Limes and Limestones* (Note 9.3).

5 Calculation of addition rates

- 5.1 The addition rates shall be calculated as follows:
- 5.2 Calculate the dry mass of each test portion as follows:

$$m_2 = \frac{100m_1}{100 + w_1}$$

- where m_2 = mass of dry material in test portion (g)
- m_1 = mass of wet material in test portion (g)
- w_1 = hygroscopic moisture content (%)

- 5.3 Calculate the mass or volume of each stabilising agent to be added as follows:
- 5.3.1 For a system where the agent is specified in terms of percentage by mass:

$$m_s = \frac{m_2 p_1}{100}$$

- where m_s = mass of each stabilising agent (g)
- m_2 = mass of dry material in test portion (g)
- p_1 = stabilising agent content (%)

- 5.3.2 For a system where the agent is specified in terms of a rate per unit volume:

$$V_s = \frac{m_2 r}{\rho_d 1000}$$

- where V_s = volume of each stabilising agent (mL)
- m_2 = mass of dry material in test portion (g)
- r = application rate (L/m³)

ρ_d = maximum dry density (t/m³)

5.4 Calculate the mass or volume of each admixture as follows (Note 9.5):

5.4.1 For a system where the admixture is specified in terms of percentage by mass of stabilising agent:

$$m_a = \frac{m_s p_2}{100}$$

where m_a = mass of each admixture (g)

m_s = mass of each stabilising agent (g)

p_2 = admixture content (%)

5.4.2 For a system where the admixture is specified in terms of volume per unit of mass of stabilising agent:

$$v_a = \frac{m_s p_3}{100000}$$

where v_a = volume of each admixture (mL)

m_s = mass of each stabilising agent (g)

p_3 = admixture content (mL per 100 kg of stabilising agent)

5.5 Calculate the mass of mixing water to be added as follows (Note 9.6):

5.5.1 For a system containing dry stabilising agent:

$$m_3 = \frac{(m_2 + \sum m_{sd}) w_2}{100} - (m_1 - m_2)$$

where m_3 = mass of mixing water to be added (g) (Note 9.7)

m_2 = mass of dry material in test portion (g)

$\sum m_{sd}$ = sum of dry stabilising agent masses (g) (Note 9.8)

w_2 = target compaction moisture content (%)

m_1 = mass of wet material in test portion (g)

5.5.2 For a system containing emulsion or slurry stabilising agent:

$$m_3 = \frac{\left(m_2 + \sum m_{sd} + m_{sw} \frac{p_4}{100} \right) w_2}{100} - (m_1 - m_2) - \frac{m_{sw} (100 - p_4)}{100}$$

where m_3 = mass of mixing water to be added (g) (Note 9.7)

m_2 = mass of dry material in test portion (g)

- $\sum m_{sd}$ = sum of dry stabilising agent masses (g) (Note 9.8)
- m_{sw} = mass of emulsion or slurry stabilising agent (g)
- p_4 = solids content of emulsion or slurry stabilising agent (%) (Note 9.8)
- w_2 = target compaction moisture content (%)
- m_1 = mass of wet material in test portion (g)

5.6 For a system where a constituent is being diluted, calculate the mass of dilution water and the mass of residual mixing water as follows:

5.6.1 Dilution water for a system where the stabilising agent is specified in terms of percentage by mass:

$$m_4 = m_s DF$$

- where m_4 = mass of dilution water (g)
- m_s = mass of each stabilising agent (g)
- DF = dilution factor (Note 9.9)

5.6.2 Dilution water for a system where the agent is specified in terms of a rate per unit volume:

$$m_4 = v_s DF$$

- where m_4 = mass of dilution water (g)
- v_s = volume of each stabilising agent (mL)
- DF = dilution factor (Note 9.9)

5.6.3 Residual mixing water:

$$m_5 = m_3 - m_4$$

- where m_5 = mass of residual mixing water (g)
- m_3 = mass of mixing water to be added (g)
- m_4 = mass of dilution water (g)

6 Procedure – hand mixing

6.1 Test portions are to be mixed in turn with the required amount of stabilising agent and any admixture, then, conditioned prior to compaction as follows (Note 9.10):

6.2 Weigh or measure the quantity of each stabilising agent separately. Measure out separately the required mass of mixing water, mass of dilution water and mass or volume of admixture. When an admixture is to be used, include this as part of the mixing water. Add any dilution water to the constituent being diluted.

6.3 Lime stabilising agent

This subsection details the process for incorporation of lime where a two day mixing process would be used in the field.

- 6.3.1 Spread one of the test portions on the mixing tray and distribute half of the lime evenly over its surface. Thoroughly mix the lime to a uniform colour with the host material.
- 6.3.2 Add half of the mixing water to the material in small increments and combine thoroughly to form a uniform mixture (Note 9.11).
- 6.3.3 Ameliorate the mixture as follows:
 - a) Compact the mixture in an appropriately sized mould in approximately 40 mm layers using one-half standard compactive effort.
 - b) Demould the compacted material and seal it in plastic wrapping and place in an air curing environment for at least 12 hours but not exceeding 72 hours at $23\pm 2^{\circ}\text{C}$ (Note 9.11).
- 6.3.4 Repeat Steps 6.3.1 to 6.3.3 for each test portion.
- 6.3.5 At the end of the amelioration period, unwrap the materials, break up the mixture and add the remaining lime and mixing water by repeating Steps 6.3.1 and 6.3.2 for each portion.
- 6.3.6 Condition the mixture as follows:
 - a) Place the mixture into a sealable container using hand pressure to consolidate the mixture. Cure the mixture for the expected field delay time, measured from the start of mixing to the commencement of compaction or from mixing of the lime to the incorporation of other stabilising agents.
 - b) Otherwise, put the mixture aside to condition for 45 minutes, timed from when the remaining mixing water was first added to the mixture of host material and stabilising agent.
- 6.3.7 At the end of the conditioning period the mixture is ready for moulding.

6.4 Dry stabilising agent

This subsection details the process for incorporation of dry stabilising agents (such as cement, cement / flyash blends, cement / slag blends, lime / flyash, lime / slag and so on) where a one day mixing process would be used in the field.

- 6.4.1 Spread one of the test portions on the mixing tray and distribute the stabilising agent evenly over its surface. Thoroughly mix the agent with the material to a uniform colour. Where more than one agent is used, it may be advantageous to mix the stabilising agents together before adding them to the material.
- 6.4.2 Add any admixture to the mixing water and incorporate the water with the material in small increments, combining thoroughly to form a uniform mixture. If a fluid stabilising agent is also to be added, withhold a small quantity of water to be used in that operation.
- 6.4.3 Incorporate any fluid stabilising agent as per Subsection 6.4, otherwise place the mixture in a sealable container and put it aside to condition for 45 minutes, timed from when the mixing water was first added to the mixture of host material and stabilising agent(s).
- 6.4.4 Repeat Steps 6.4.1 to 6.4.3 for each test portion.

6.5 Fluid stabilising agent

- 6.5.1 Spread one of the test portions on the mixing tray and add most of the residual mixing water to the material in small increments while withholding a small quantity of water for rinsing the stabilising agent container. Combine the water with the material to a uniform mixture.
- 6.5.2 Again spread the test portion on the mixing tray and pour the diluted stabilising agent evenly over its surface. Rinse the stabilising agent container with the remaining mixing water and thoroughly mix the agent and water with the material to a uniform colour.
- 6.5.3 Repeat Step 6.5.2 for each fluid stabilising agent, if appropriate.
- 6.5.4 Place the mixture(s) in a sealable container and put aside to condition for 45 minutes, timed from when the mixing water was first added to the mixture of host material and stabilising agent(s).
- 6.5.5 Repeat Steps 6.5.1 to 6.5.4 for each test portion.

7 Procedure – machine mixing

Test portions are to be mixed in turn with the required amount of stabilising agent and any admixture, then conditioned prior to compaction as follows (Note 9.10).

- 7.1 Weigh or measure the quantity of each stabilising agent separately. Measure out separately the required mass of mixing water, mass of dilution water and mass or volume of admixture. When an admixture is to be used, include this as part of the mixing water. Add any dilution water to the constituent being diluted.
- 7.2 **Dry stabilising agent**

This subsection details the process for incorporation of dry stabilising agents (such as cement, cement / flyash blends, cement / slag blends, lime / flyash, lime / slag and so on) where a one day mixing process would be used in the field.

 - 7.2.1 Add the test portion to the mixer. Mix the test portion for 15 seconds to spread the material evenly in the mixer.
 - 7.2.2 Add the dry stabilising agent evenly over the surface of the test portion. Where more than one agent is used, it may be advantageous to mix the stabilising agents together before adding them to the material.
 - 7.2.3 Mix the agent with the material for 120 seconds and incorporate the water with the material in small increments, combining thoroughly to form a uniform mixture. Add any admixture to the mixing water. If a fluid stabilising agent is also to be added, withhold a small quantity of water to be used in that operation.
 - 7.2.4 Allow the material to stand in the mixer for 120 seconds, then mix the agent with the material for a further 120 seconds.
 - 7.2.5 Incorporate any fluid stabilising agent as per Subsection 7.3, otherwise transfer the mixture to a sealable container and put it aside to condition for 45 minutes, timed from when the mixing water was first added to the mixture of host material and stabilising agent(s). A rubber mallet, spatula and scoop may be used to assist with loosening material adhering to the interior of the mixer.
 - 7.2.6 Repeat Steps 7.2.1 to 7.2.5 for each test portion.

7.3 Fluid stabilising agent

- 7.3.1 Add the test portion to the mixer. Mix the test portion for 15 seconds to spread the material evenly in the mixer.
- 7.3.2 Mix the material for 120 seconds and add most of the residual mixing water to the material in small increments while withholding a small quantity of water for rinsing the stabilising agent container.
- 7.3.3 Allow the material to stand in the mixer for 120 seconds. Pour the diluted stabilising agent evenly over the surface of the mix. Rinse the stabilising agent container with the remaining mixing water and mix the agent and water with the material for a further 120 seconds.
- 7.3.4 Repeat Step 7.3.3 for each fluid stabilising agent, if appropriate.
- 7.3.5 Transfer the mixture(s) to a sealable container and put aside to condition for 45 minutes, timed from when the mixing water was first added to the mixture of host material and stabilising agent(s). A rubber mallet, spatula and scoop may be used to assist with loosening material adhering to the interior of the mixer.
- 7.3.6 Repeat Steps 7.3.1 to 7.3.5 for each test portion.

8 Reporting

The following shall be reported:

- 8.1 The number of this test method, that is Q135A.

9 Notes on method

- 9.1 The balance referred to is suitable for most applications when adding stabilising agent to material. For small masses of material, a balance with a resolution which displays to one significant figure more than the mass being weighed and a limit of performance commensurate with the resolution will be required.
- 9.2 This can be provided by the supplier of the cementitious materials. Further details are available from the Australian Technical Infrastructure Committee (ATIC), *Cementitious Materials Registration Scheme (CMRS), Registered Products List*.
- 9.3 Before handling any stabilising agents or admixtures, the operator should consult the relevant SDS.
- 9.4 Admixtures may be used in conjunction with cementitious stabilising agents such as cement and blended cement. The amount used is normally related to the stabilising agent type and content.
- 9.5 When non-water based liquid stabilising agents are used, for example, cutback bitumen, no allowance is made here for its contribution to mixture fluidity when determining the mass of mixing water.
- 9.6 It is necessary to make some allowance for loss of moisture due to hydration and/or during mixing. This allowance will depend on the type of material under test, the stabilising agent content and the ambient conditions in the laboratory. Add this allowance to the calculated mass of water (M_3).
- 9.7 The formula provides for more than one dry solids stabilising agent as well as one agent which contains both solids and water. If there is more than one stabilising agent containing solids

and water, this formula will need to be modified accordingly. Where there are no dry solids, the value of m_{sd} is zero.

- 9.8 The dilution factor will depend on the mixability of the agent with the material to provide a uniform mixture. A value of about 2 is generally used for bitumen emulsion.
- 9.9 Before incorporation of the stabilising agent(s), medium and high plasticity materials must be at a significant moisture content (say 50 percent of OMC) to allow thorough and uniform incorporation of the stabilising agent(s).
- 9.10 Where other stabilising agents are to be added later, use only sufficient water to bring the lime mixture to the approximate optimum moisture content for the mixture.
- 9.11 The maximum amelioration time is specified in Main Roads Technical Specification MRTS07A *In situ Stabilised Subgrades using Quicklime or Hydrated Lime*.

Table 1 – Dimensions and tolerances for suitable moulds and rammer

Apparatus	Dimension	Tolerance
Moulds		
Mould A: 105 diameter		
Internal diameter (mm)	105.0	± 0.5 *
Effective height (mm)	115.5	± 0.5 *
Nominal volume (cm ³)	1000	± 15
Mould B: 152 mm diameter		
Internal diameter (mm)	152.0	± 1.0 *
Effective height (mm)	132.5	± 0.5 *
Nominal volume (cm ³)	2400	± 35
Rammer		
Diameter; round foot (mm)	50	± 0.4
Area of rammer (mm ²)	1964	± 31
Drop (mm)	300	± 2.0 ‡
Mass (kg)	2.7	± 0.01 ‡
Energy delivered per blow (J)	7.94	± 0.08
Number of layers	3	
Number of blows / layer: Mould A	25	
Mould B	60	
Energy input (kJ/m ³)	596	± 14

* Either but not both of the tolerances may be exceeded provided the specified tolerance on volume is not exceeded.

‡ Either but not both of the tolerances may be exceeded provided the appropriate tolerance on energy delivered per blow is not exceeded.

Test Method Q135B: Curing moulded specimens of stabilised material

1 Source

This method was developed in-house using techniques evolved through internal departmental research investigations.

2 Scope

This method describes the procedures for curing laboratory and field moulded specimens containing stabilising agents under standard conditions. The procedure provides for the curing of specimens which are demoulded before testing.

3 Apparatus

The following apparatus is required:

- 3.1 Air curing environment:
 - 3.1.1 Cabinet or environmental room for curing unsealed specimens, capable of maintaining a temperature of $23 \pm 2^{\circ}\text{C}$ and a relative humidity $\geq 95\%$, or
 - 3.1.2 Cabinet or environmental room for curing sealed or moulded specimens, capable of maintaining a temperature of $23 \pm 2^{\circ}\text{C}$, or
 - 3.1.3 Water bath for curing sealed or moulded specimens, with a lid and raised floor to keep the specimens clear of the water. With the lid closed, the bath must be capable of maintaining a temperature of $23 \pm 2^{\circ}\text{C}$.
- 3.2 Immersed water curing environment:
 - 3.2.1 Water bath, of sufficient depth to immerse the demoulded specimen in water and capable of maintaining a temperature of $23 \pm 2^{\circ}\text{C}$ during immersion.
- 3.3 Air drying environment:
 - 3.3.1 Cabinet or environmental room for curing specimens, capable of maintaining a temperature of $23 \pm 2^{\circ}\text{C}$ and a relative humidity of $50 \pm 5\%$.
- 3.4 Heavy duty plastic wrapping (polyethylene), capable of sealing specimens against moisture loss.
- 3.5 Heavy duty plastic bags (polyethylene), capable of sealing specimens against moisture loss.
- 3.6 Cable ties, elastic bands or other suitable means for sealing the plastic bags.
- 3.7 Paper, wet for wrapping specimens to maintain a moist specimen during curing.
- 3.8 Water and a spray bottle for misting specimens.
- 3.9 Sample extractor, such as a jack, lever frame or other device suitable for extruding compacted specimens from nominal 100 mm and 150 mm diameter moulds.

4 Procedure

The procedure shall be as follows:

- 4.1 At the completion of moulding, seal all moulds using plastic wrapping or plastic bags to prevent moisture loss (Note 6.1).

- 4.2 For specimens which are to be demoulded before testing, proceed as follows:
- a) Place the moulded specimens in a cabinet, room or bath as specified in Step 3.1 and maintain a temperature of $23 \pm 2^{\circ}\text{C}$ for 18 to 24 hours (Note 6.2) or 36 to 48 hours for slab specimens.
 - b) At the completion of this initial curing, carefully demould the specimens ensuring that specimen damage is minimised.
 - c) For demoulded specimens which are to be air cured as specified in Table 1, prepare as follows:
 - i. For unsealed specimens to be placed in a cabinet or room specified in Step 3.1.1, place the specimens on a transfer plate for ease of handling.
 - ii. For sealed specimens to be placed in a cabinet, room or bath specified in Step 3.1.2 or 3.1.3:
 - lightly mist the specimens with water or wrap in wet paper
 - seal the specimens in plastic wrapping or place in a plastic bag and seal the bags
 - place the specimens on a transfer plate for ease of handling.
- 4.3 Cure both demoulded and moulded specimens at the standard curing conditions specified in Table 1. Where specimens are to be subjected to water curing or air drying, remove any paper, plastic bags or plastic wrapping. Slab specimens are removed from curing after 28 days and cut into beam specimen. Following cutting they are prepared as detailed in Step 4.2 c) and returned the curing environment until the specified curing is complete.
- 4.4 At the completion of curing, remove any paper, plastic bags or wrapping to prepare the specimens for testing (Note 6.3).

5 Reporting

The following shall be reported:

- 5.1 The number of this test method, that is Q135B.

6 Notes on method

- 6.1 The moulded specimens may either, be placed in plastic bags and sealed, wrapped in plastic and sealed or plastic placed over the open end of the mould and secured in place using the compaction collar, elastic bands or cable ties.
- 6.2 If the moulded specimens are not prone to damage during early demoulding and handling, specimens may be demoulded soon after compaction. However, where material loss, delamination or change of shape is likely to occur, initially cure the specimens in their moulds for at least 18 to 24 hours. Where longer mould curing is opted for, as in the case of extremely fragile material, the total duration of curing should not exceed that which is indicated in Table 1.
- 6.3 Specimens should be tested immediately to prevent moisture loss.

Table 1 – Standard curing conditions

Stabilising agent	Test type*	Curing duration and conditions
All	Laboratory slab specimens for flexural strength, flexural modulus or flexural fatigue.	(i) 2 days air curing in mould (ii) 26 days air curing (iii) Remove for cutting (iv) 62 days air curing
	Field slab specimens for flexural strength, flexural modulus or flexural fatigue.	(i) Cutting (ii) 2 days air curing
Cement and cementitious blends (Bound)**	Standard UCS***, RLT, CR and AWT	(i) 1 day air curing in mould (ii) 6 days air curing
Cement# and cementitious blends (Lightly bound)**	Standard UCS***, RLT, CR and AWT	(i) 1 day air curing in mould (ii) 6 days air curing or (i) 1 day air curing in mould (ii) 27 days air curing
Lime, lime / flyash, lime / slag###	Standard UCS, RLT, CR and AWT	(i) 1 day air curing in mould (ii) 27 days air curing
Nil	Standard UCS for recycled blend materials	(i) 1 day air curing in mould (ii) 6 days air curing
	Standard UCS for soils	(i) 1 day air curing in mould

* Test type abbreviations are as follows:

UCS = Unconfined Compressive Strength = Q115

RLT = Repeat Load Triaxial = Q137

CR = Capillary Rise = Q125D

AWT = Allowable Working Time = Q136A

** Blends with supplementary cementitious material, for example, flyash, slag

*** Unless otherwise specified use 28 day curing for design testing and 7 day curing for production testing. For AWT use 7 day curing.

Cement may be replaced with lime and/or supplementary cementitious material, for example, flyash, slag.

Lime may be replaced with cement or supplementary cementitious material, for example, flyash, slag.

Test Method Q135C: Curing moulded specimens of foamed bitumen stabilised material

1 Source

This method was developed in-house using techniques evolved through internal departmental research investigations.

2 Scope

This method describes the procedures for curing laboratory and field moulded specimens containing foamed bitumen under standard conditions.

3 Apparatus

The following apparatus is required:

- 3.1 Initial curing:
 - 3.1.1 Environmental cabinet, a temperature-controlled cabinet that is capable of holding at least three test specimens, capable of maintaining a temperature of $25^{\circ}\text{C} \pm 0.5^{\circ}\text{C}$ and fitted with an external device that indicates the temperature inside the cabinet.
- 3.2 Oven curing:
 - 3.2.1 Drying oven, of suitable capacity, having a temperature of $40 \pm 2.0^{\circ}\text{C}$ and conforming with AS 1289.0.
- 3.3 Vacuum soaking:
 - 3.3.1 Vacuum apparatus and chamber.
 - 3.3.2 Container for soaking specimens.

4 Materials

The following materials are required:

- 4.1 Potable water.
- 4.2 Cloths for removing excess water from vacuum soaked specimens.

5 Procedure

The curing of specimens shall be as follows:

5.1 Initial curing

- 5.1.1 Place the specimens in the environmental cabinet and allow to equilibrate to the test temperature as detailed in Table 1 for initial or as received modulus.
- 5.1.2 At the completion of the initial curing remove the specimens from the cabinet.

5.2 Oven curing

- 5.2.1 Place the specimens in the drying oven and dry as detailed in Table 1 for cured modulus.
- 5.2.2 Transfer the specimen to the environmental cabinet and allow to equilibrate to the test temperature as detailed in Table 1 for cured modulus.

5.3 Vacuum soaking

- 5.3.1 After completion of the cured modulus testing, place the specimens in a container and cover with potable water at $25 \pm 0.5^\circ\text{C}$.
- 5.3.2 Place the container, water and specimen in the vacuum chamber and apply a partial vacuum as detailed in Table 1 for soaked modulus (Note 7.1).
- 5.3.3 After the vacuum soaking remove the specimens from the water and using cloths remove excess water.

6 Reporting

The following shall be reported:

- 6.1 The number of this test method, that is Q135C.

7 Notes on method

- 7.1 A partial vacuum of 13 kPa absolute pressure is approximately equivalent to a -88 kPa reading on a vacuum gauge at sea level.

Table 1 – Standard curing conditions

Specimen type	Test type*	Curing duration and conditions
Laboratory mix – for insitu stabilisation	Initial modulus	(i) 3 ± 0.5 hours curing in environmental chamber at $25 \pm 0.5^\circ\text{C}$
	Three day cured modulus	(i) 69 ± 0.5 hours curing in drying oven at $40 \pm 2.0^\circ\text{C}$ (ii) 3 ± 0.5 hours curing in environmental chamber at $25 \pm 0.5^\circ\text{C}$
	Three day, soaked modulus	(i) 10 minutes in vacuum chamber with a partial vacuum of 13 kPa or less absolute pressure applied
Field mixed – from insitu stabilisation	Three day cured modulus	(i) 69 ± 0.5 hours curing in drying oven at $40 \pm 2.0^\circ\text{C}$ (ii) 3 ± 0.5 hours curing in environmental chamber at $25 \pm 0.5^\circ\text{C}$
	Three day, soaked modulus	(i) 10 minutes in vacuum chamber with a partial vacuum of 13 kPa or less absolute pressure applied
Field mixed – from plant mixed stabilisation	Three day cured modulus	(i) 69 ± 0.5 hours curing in drying oven at $40 \pm 2.0^\circ\text{C}$ (ii) 3 ± 0.5 hours curing in environmental chamber at $25 \pm 0.5^\circ\text{C}$
	Three day, soaked modulus	(i) 10 minutes in vacuum chamber with a partial vacuum of 13 kPa or less absolute pressure applied
	Seven day cured modulus	(i) 165 ± 0.5 hours curing in drying oven at $40 \pm 2.0^\circ\text{C}$ (ii) 3 ± 0.5 hours curing in environmental chamber at $25 \pm 0.5^\circ\text{C}$

Specimen type	Test type*	Curing duration and conditions
	Seven day, soaked modulus	(i) 10 minutes in vacuum chamber with a partial vacuum of 13 kPa or less absolute pressure applied
	Fourteen day, cured modulus	(i) 333 ± 0.5 hours curing in drying oven at 40 ± 2.0°C (iii) 3 ± 0.5 hours curing in environmental chamber at 25 ± 0.5°C
	Fourteen day, soaked modulus	(i) 10 minutes in vacuum chamber with a partial vacuum of 13 kPa or less absolute pressure applied
Core samples	As received modulus	(i) 3 ± 0.5 hours curing in environmental chamber at 25 ± 0.5°C
	Soaked modulus	(i) 10 minutes in vacuum chamber with a partial vacuum of 13 kPa or less absolute pressure applied

Test Method Q136A: Working time of stabilised materials

1 Source

This method applies the principles of Roads and Maritime Services, New South Wales Test Method T147: Working time for road construction materials (Blended in the laboratory with slow setting binders).

2 Scope

This method describes the procedure to determine the allowable working time of compacted specimens of soil and crushed rock materials which have been either modified or stabilised with a stabilising agent or are in their natural state. The method has particular application as part of a laboratory design procedure.

Prepare test specimens by compacting passing 19.0 mm material by standard or modified compactive effort. Apply the following conditions unless otherwise specified:

- standard compaction effort
- compaction moisture content will be 100% of OMC
- stabilising agent content used will be the target content of stabilising agent.

3 Definitions

- 3.1 Allowable working time is the time within which compaction and trimming of the stabilised material is to be completed, measured from the commencement of incorporation (that is, mixing) of stabilising agent into the unstabilised material to completion of compaction and trimming.

4 Apparatus

Where appropriate, the working tolerances of particular apparatus are contained in Table 1.

The following apparatus is required:

- 4.1 Mould assembly (Mould A), comprising a cylindrical metal mould having an internal diameter of 105 mm and an effective height of 115.5 mm, fitted with a detachable baseplate and a removable collar assembly about 60 mm high, both of which can be firmly attached to the mould.
- 4.2 Steel rammer, having a 50 mm diameter face. For standard compactive effort, a rammer with a drop mass of 2700 g and a drop height of 300 mm. For modified compactive effort, a rammer with a drop mass of 4900 g and a drop height of 450 mm. Alternatively use a mechanical compactor, provided it meets the essential requirements of drop height, mass and energy input. A mechanical compactor may be used provided the essential dimensions are adhered to and the rammer has a free vertical fall of the correct height with blows being uniformly distributed and in keeping with any prescribed cycle of blows. The design of the compactor allows attachment of the mould to a level and rigid support base. The difference between maximum dry density determinations using manual or mechanical compaction is less than 2%.
- 4.3 Level rigid foundation on which to compact the specimen, for example, a sound concrete floor about 100 mm or more in thickness or a concrete block of at least 100 kg mass.

- 4.4 Balances:
 - 4.4.1 Balance of suitable capacity, with a resolution of at least 1 g and with a limit of performance within the range of ± 5 g.
 - 4.4.2 Balance of suitable capacity to weigh stabilising agents, with a resolution of at least 0.1 g and with a limit of performance within the range of ± 0.5 g (Note 10.1).
- 4.5 Sieves, 19.0 mm and 9.50 mm complying with ISO 3310.
- 4.6 Sealable containers, suitable for curing soil samples.
- 4.7 Tool for scarifying each compacted layer, such as a trowel or spatula.
- 4.8 Material height gauge. A flat steel bar, about 250 mm long, 25 mm wide and 1-3 mm thick is satisfactory (Note 10.2).
- 4.9 Steel straightedge, about 250 mm long, 25 mm wide and 3 mm thick, preferably with one bevelled edge.
- 4.10 Sample extractor, such as a jack, lever frame or other suitable device for extruding compacted specimens from the mould.
- 4.11 Calliper, with a resolution not exceeding 0.1 mm and complying with AS 1984 or JIS B 7507.
- 4.12 Capping jig, suited to 105 mm diameter specimens and complying with the requirements of AS 1012.9.
- 4.13 CBR machine, fitted with the following:
 - a) A moveable lower platen that travels at a uniform vertical upward rate of 1 mm/min when measured loaded.
 - b) An upper platen that has a spherical seat, and
 - c) Force measuring device, at least Class C as defined in AS 2193 for that part of its operating range which corresponds to the maximum force applied to any test specimen. Equipped with an indicator of a resolution not exceeding 25 N.
- 4.14 Engineers square, with a minimum blade length of 100 mm.
- 4.15 Mixing apparatus, such as a tray, trowel or scoop and water sprayer.

5 Materials

The following materials are required:

- 5.1 Capping compound, special high-strength cementitious material such as dental plaster or a low heat mortar (Note 10.3).
- 5.2 Mould oil, a light oil such as Caltex Mould Oil 20 (Note 10.3).

6 Sample preparation

The samples shall be prepared as follows:

- 6.1 Prepare the bulk sample as detailed in Section 5 of Test Method Q101 to produce a representative subsample of appropriate size. It may be necessary to dry the bulk sample before preparation so that the material is sufficiently dry to allow uniform mixing of the stabilising agent with the host material.

- 6.2 Screen the subsample on a 19.0 mm sieve as detailed in Test Method Q101, Steps 6.2.1 to 6.2.3. Ensure that any aggregations are broken up to pass a 9.50 mm sieve. Discard any material retained on the 19.0 mm sieve and thoroughly remix the material passing the 19.0 mm sieve.
- 6.3 Prepare the required number of UCS compaction test portions as well as a single test portion for determining hygroscopic moisture content as detailed in Test Method Q101, Steps 6.2.4 to 6.2.6. Each UCS compaction test portion must be of sufficient quantity to mould three specimens and provide a subsample for determining the compaction moisture content (Note 10.4). Determine the mass of each test portion (m_1).
- 6.4 If the working time moulding moisture content is not specified. Prepare sufficient additional test portions to undertake MDR testing as detailed in Test Method Q142A or Q142B as appropriate (Note 10.5).
- 6.5 Determine the hygroscopic moisture content (w_1) of the single test portion prepared in Step 6.3 as detailed in Test Method AS 1289.2.1.1.

7 Working time

The procedure shall be as follows:

7.1 Determination of working time

- 7.1.1 Adopt a reference working time of 1 hour (T_R).
- 7.1.2 Select at least 4 different working times (T_i) greater than 1 hour for each sample that will provide at least two dry density determinations before and after the allowable working time (Note 10.6).

7.2 Compaction of specimens

- 7.2.1 Using the test portions prepared in Step 6.3, compact three specimens within ± 15 minutes of the selected working time, using the standard compaction effort, at 100% of OMC and using the target content of stabilising agent, unless otherwise specified as follows:
- Using the procedure detailed in Test Method Q145A, calculate the target compaction moisture content.
 - Determine the quantity of stabilising agent, then mix each test portion as detailed in Test Method Q135A (Note 10.7). Record the date and time the mixing of test portion, stabilising agent(s) and water commenced.
 - Condition the mixture in a sealable container for the selected working time (T_R, T_i).
 - Clean and assemble each mould and baseplate, lightly oiling the internal surfaces. Inspect and clean the rammer or mechanical compactor and ensure that it is free in the guide.
 - Determine the mass (m_1) of each mould and baseplate, attach the collars and place the assemblies on the rigid foundation.
 - At the end of the required conditioning period, remove the conditioned mixture from the container, spread the mixture on the mixing tray and thoroughly remix.
 - Obtain a subsample of the mixture and determine the achieved compaction moisture content as detailed in Test Method AS 1289.2.1.1.

- h) Mould the three specimens simultaneously in three equal layers using 25 rammer blows per layer for standard compaction or 42 rammer blows per layer for modified compaction, distributing the blows evenly over the surface of each layer. Scarify each compacted layer to promote bonding and interlock between layers. Simultaneous compaction is achieved by compacting the same layer in each mould one after the other.
- i) For each mould, free the material from around the collar of the mould assembly. Then carefully remove the collar.
- j) Level the compacted specimens to the top of their respective mould using a straightedge. Employ the straightedge to patch any hollows developed in the surface using smaller sized material.
- k) Determine the mass (m_2) of each mould, baseplate and compacted material.
- l) Record the time the moulding of the test portion is completed.
- m) Calculate the achieved dry density for each specimen as detailed in Test Method Q145A Subsection 7.1.
- n) Calculate the mean achieved dry density for each nominated working time (ADD_R, ADD_i).
- o) Retain each test specimen in the mould, de-mould and cure as detailed in Test Method Q135B.

7.2.2 Repeat Step 7.2.1 for each additional working time (T_i)

7.3 Unconfined Compressive Strength

7.3.1 Determine the UCS of each test specimen compacted and cured in Subsection 7.2 for each working time as detailed in Test Method Q115 Sections 8 to 11.

7.3.2 Calculate the mean UCS for each working time (UCS_R, UCS_i)

8 Calculations

Calculations shall be as follows:

8.1 Working time for ADD

8.1.1 Calculate the achieved dry density at the working time as follows:

$$ADD_{TL} = 0.97 ADD_R$$

where ADD_{TL} = achieved dry density at the working time (t/m^3)

ADD_R = reference achieved dry density (t/m^3)

8.1.2 Plot the working time (T_R, T_i) for the compacted specimens against the corresponding mean achieved dry density (ADD_R, ADD_i). Draw a smooth curve of best fit through the resulting points (Refer to Figure 1).

8.1.3 From the plot, determine the time in hours corresponding to the intersection between the smooth curve drawn in Step 8.1.2 and the achieved dry density at the working time (ADD_{TL}) (Refer to Figure 1). Record as the working time for ADD (WT_{ADD}).

8.2 Working time for UCS

8.2.1 Calculate the UCS at the working time as follows:

$$UCS_{TL} = 0.80 UCS_R$$

where UCS_{TL} = unconfined compressive strength at working time (MPa)

UCS_R = reference unconfined compressive strength (MPa)

8.2.2 Plot the working time (T_R, T_i) for the compacted specimens against the mean UCS for each working time (UCS_R, UCS_i). Draw a smooth curve of best fit through the resulting points (Refer to Figure 2).

8.2.3 From the plot, determine the time in hours corresponding to the intersection between the smooth curve drawn in Step 8.2.2 and the UCS at working time (UCS_{TL}) (Refer to Figure 2). Record as the Working Time for UCS (WT_{UCS})

8.3 Allowable working time

8.3.1 Calculate the Allowable Working Time (AWT) as the lower value of WT_{ADD} and WT_{UCS}

9 Reporting

The following shall be reported:

- 9.1 A tabulation of working time, mean achieved dry density and mean UCS.
- 9.2 A graph of mean achieved dry density versus working time, including the curve of best fit and indication of the working time for ADD.
- 9.3 A graph of mean UCS versus working time, including the curve of best fit and indication of the working time for UCS.
- 9.4 Working time for ADD to the nearest 0.5 hours.
- 9.5 Working time for UCS to the nearest 0.5 hours.
- 9.6 The allowable working time (AWT) to the nearest 0.5 hours.
- 9.7 Compaction standard used, that is, standard or modified.
- 9.8 General Information:
 - a) Source and description of the host material.
 - b) Source, type and ATIC Registration number of the stabilising agent(s) (Note 10.8).
 - c) Percentage of stabilising agent(s) used.
- 9.9 The number of this test method, that is Q136A.

10 Notes on method

- 10.1 The balance referred to is suitable for most applications when adding stabilising agent to material. For small masses of material, a balance with a resolution which displays to one significant figure more than the mass being weighed and a limit of performance commensurate with the resolution will be required.
- 10.2 A material height gauge which allows monitoring of the height of compacted material relative to the top of a Mould A can be made from a steel bar and marked as follows:

- 10.2.1 Commencing at one end of the bar, measure and mark distances of:
- 5.5 mm for the upper range of the third layer
 - 33.5 to 38.5 mm for the acceptable range of the second layer, and
 - 72.5 to 77.5 mm for the acceptable range of the first layer.
- 10.2.2 Mark the face with the appropriate mould size (A).
- 10.3 Before handling capping compounds or oil, the operator should consult the relevant SDS.
- 10.4 A test portion mass of 10 kg will be adequate for most materials. However, a gravel may require up to 12 kg while it may be possible to use as low as 8 kg for a heavy clay.
- 10.5 Usually four test portions are sufficient for each Q142A or Q142B test. For most materials, 2.5 kg should be adequate for each test portion mass. However, a gravel may require up to 3 kg while it may be possible to use as low as 2 kg for a heavy clay.
- 10.6 The usual working times will be 1, 2, 4, 8 and 24 hours. However, for slower setting stabilising agents such as lime / flyash it may be necessary to use 4, 8, 24, and 48 hours. Follow the principle in selecting time intervals where they should adequately define the curve and there should be at least two points before and after the allowable working time.
- 10.7 When mixing and conditioning more than one test portion, sequence the work to comply with any time for conditioning and the time to completion of compaction. Measure both times from the addition of the first increment of water to the mixture of soil and stabilising agent.
- 10.8 This can be requested from the supplier of the cementitious materials. Further details are available from the Australian Technical Infrastructure Committee (ATIC), *Cementitious Materials Registration Scheme (CMRS), Registered Products List*.

Table 1 – Dimensions and tolerances for suitable mould and rammers

Apparatus	Dimension	Tolerance
Mould		
Mould A: 105 diameter		
Internal diameter (mm)	105.0	± 0.5
Effective height (mm)	115.5	± 0.5
Nominal volume (cm ³)	1000	± 15
Rammer (standard)		
Diameter; round foot (mm)	50	± 0.4
Area of rammer (mm ²)	1964	± 31
Drop (mm)	300	± 2.0 ‡
Mass (kg)	2.7	± 0.01 ‡
Energy delivered per blow (J)	7.94	± 0.08
Number of layers	3	
Number of blows / layer:Mould A	25	
Energy input (kJ/m ³)	596	± 14
Rammer (modified)		
Diameter; round foot (mm)	50	± 0.4

Apparatus	Dimension	Tolerance
Area of rammer (mm ²)	1964	± 31
Drop (mm)	450	± 2.0 ‡
Mass (kg)	4.9	± 0.01 ‡
Energy delivered per blow (J)	21.62	± 0.08
Number of layers	3	
Number of blows / layer: Mould A	42	
Energy input (kJ/m ³)	2703	± 60

* Either but not both of the tolerances may be exceeded provided the specified tolerance on volume is not exceeded.

‡ Either but not both of the tolerances may be exceeded provided the appropriate tolerance on energy delivered per blow is not exceeded.

Figure 1 – Working time for Achieved Dry Density

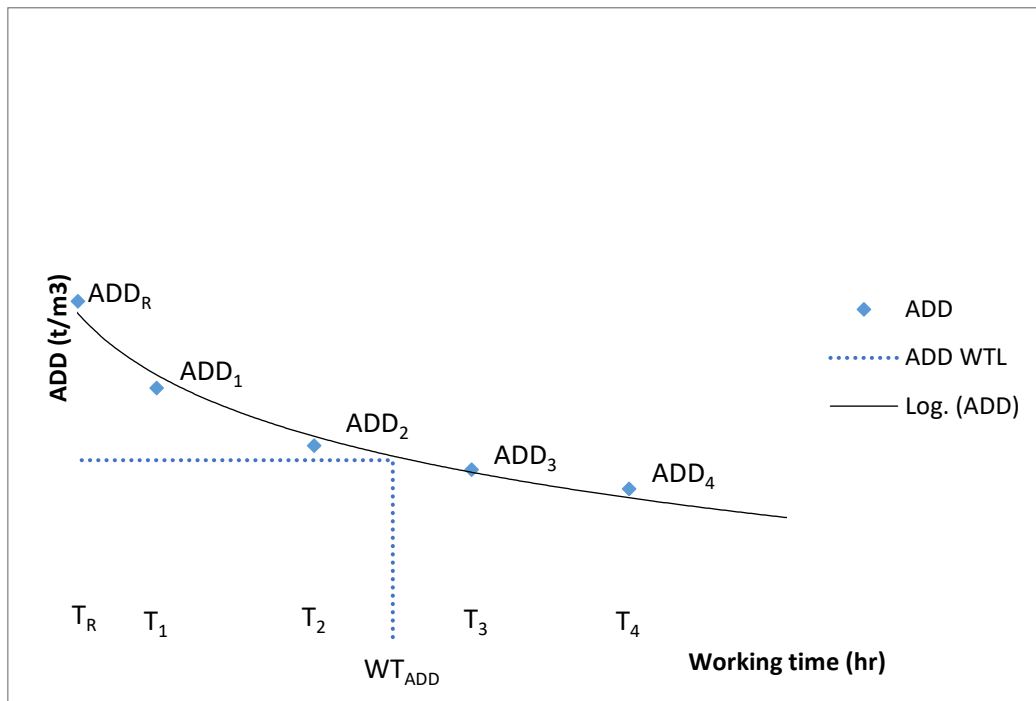
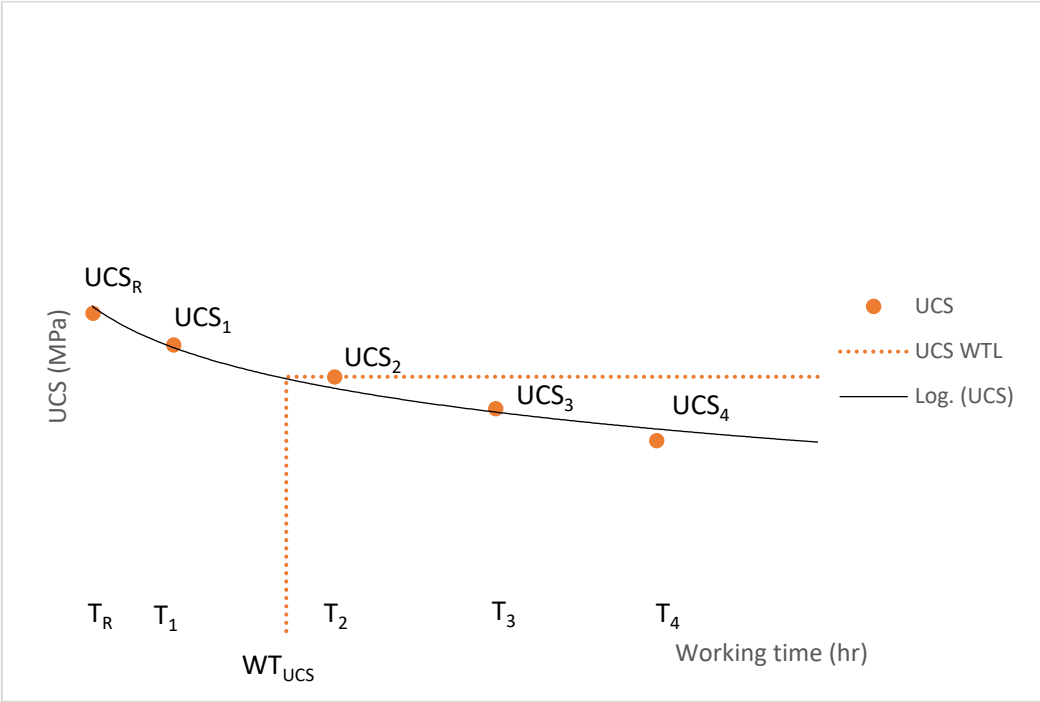


Figure 2 – Working time for UCS



Test Method Q136B: Working time of foamed bitumen stabilised materials

1 Source

This method applies the principles of Roads and Maritime Services, New South Wales Test Method T147: Working time for road construction materials (Blended in the laboratory with slow setting binders) to the determination of working time for foamed bitumen stabilised materials.

2 Scope

This method describes the procedure to determine the allowable working time of compacted specimens of soil and crushed rock materials that have been stabilised with foamed bitumen and a secondary stabilising agent such as hydrated lime or hydrated lime / flyash blends.

Prepare test specimens by compacting passing 37.5 mm material as detailed in Test Method Q138A. The stabilising agent contents used will usually be the target stabilising agent contents.

3 Definitions

Allowable working time is the time within which compaction and trimming of the stabilised material is to be completed, measured from the commencement of incorporation (that is, mixing) of stabilising agent into the unstabilised material to completion of compaction and trimming.

4 Apparatus

Where appropriate the working tolerances of particular apparatus are contained in Table 1.

The following apparatus is required:

4.1 Foaming equipment

- 4.1.1 Bitumen foaming plant, capable of manufacturing foamed bitumen with a minimum expansion ratio of 10 and a minimum half-life of 20 seconds, heating bitumen between 140 and 180°C, maintaining bitumen temperature to within 2°C of set temperature, adding water to bitumen at rates between 0 and 5% by bitumen mass and control bitumen flow and water settings. The plant is to be configurable to measure the characteristic of the foamed bitumen produced (expansion ratio and half-life) (Note 8.1).
- 4.1.2 Metal container for checking the flow of foamed bitumen, having an internal diameter of 300 mm, a depth of 280 mm and a capacity of 15 litres.
- 4.1.3 Oven of suitable capacity, capable of heating bitumen to 100°C.
- 4.1.4 Mechanical mixing equipment, twin-shaft mixer with a capacity of about 30 kg, with variable settings for speed and mixing time. Should have a cover to allow direct discharge of foamed bitumen into mixer without splash or loss of material. (Note 10.1).
- 4.1.5 Suitable tools for removing all materials from mixer such as a mallet, spatula and scoop.

4.2 Compaction equipment

Examples of the apparatus are shown in ASTM D5581 Figures 1 to 3.

- 4.2.1 Cylindrical steel compaction mould having an internal diameter of 152.4 mm, a height of 114.3 mm and a thickness of 12.7 mm; a mould base with a thickness of 12.7 mm and an extension collar having an internal diameter of 155.6 mm, a height of 82.6 mm and a thickness of 9.5 mm. The mould base will be removable and fits the compaction pedestal.

- 4.2.2 Hand compaction hammer, consisting of a flat circular tamping face having a diameter of 149.4 mm, and a sliding weight with a mass of 10.21 kg and a free fall of 457.2 mm (Note 12.2).
- 4.2.3 Hand compaction pedestal, consisting of the following:
- a) a wooden block, of approximate dimensions 200 mm square and 450 mm thick, capped by a steel plate of approximate dimensions 300 mm square and 25 mm thick. An air-dry density of the wooden block of 720 kg/m³. With the steel plate securely attached to the block that is secured to a solid concrete floor or slab. Suitable guides for restraining the compaction mould and locating the compaction hammer centrally during compaction may be attached to the block, or
 - b) a concrete block, of approximate dimensions 360 mm square and 610 mm thick. Suitable guides for restraining the compaction mould and locating the compaction hammer centrally during compaction may be attached to the block, or
 - c) a steel post (circular or square cross-section), of approximate dimensions 150 mm diameter/square and 620 mm thick. Suitable guides for restraining the compaction mould and locating the compaction hammer centrally during compaction may be attached to the block.
- 4.2.4 Specimen extrusion jack, consisting of a hydraulic jack fitted with a plate on the ram and located within a metal frame. With, a plate of 151.5 mm diameter and 12 mm thick for 150 mm diameter test specimens and a metal frame able to retain the mould during extrusion of a test specimen.
- 4.3 Balance of suitable capacity, having a resolution of at least 0.1 g and with a limit of performance within the range of ± 0.5 g.
- 4.4 Sieves, 37.5 mm and 9.50 mm, complying with ISO 3310.
- 4.5 Stopwatch with a resolution not exceeding 0.1 seconds.
- 4.6 Riffing equipment.
- 4.7 Callipers, with a resolution not greater than 0.1 mm complying with AS 1984 or JIS B1904.
- 4.8 Container for storing manufactured material.

5 Materials

The following materials are required (Note 12.3):

- 5.1 Bitumen, Class 170 sampled from a bulk supply and free of cutter, flux or other additives (usually supplied in 10 litre tins).
- 5.2 Foaming additive (Teric 311, Interfoam or equivalent).
- 5.3 Hydrated lime.
- 5.4 Hydrated lime/flyash blend.
- 5.5 Potable water.
- 5.6 Filter paper (Whatman No. 1 or equivalent).

6 Sample preparation

The sample shall be prepared as follows:

- 6.1 Prepare the bulk sample as detailed in Section 5 of Test Method Q101 to produce a representative sample of at least 100 kg.
- 6.2 Further prepare the material by screening the subsample on a 37.5 mm sieve as detailed in Test Method Q101, Steps 6.2.1 to 6.2.3. Ensure that any aggregations are broken up to pass a 37.5 mm sieve. Discard any material retained on the 37.5 mm sieve and thoroughly remix the material passing the 37.5 mm sieve.
- 6.3 Prepare representative test portions of the sieved material as detailed in Test Method Q101, Steps 6.2.4 to 6.2.6 as follows:
 - a) minimum of four test portions of 13,000 g for foamed bitumen testing and determine the mass of each test portion (m_1) (Note 12.4)
 - b) test portion for hygroscopic moisture content, and
 - c) suitable number of test portions to determine the OMC and MDD.
- 6.4 Determine the hygroscopic moisture content (w_1) of the test portion prepared in Step 6.3 b) as detailed in Test Method AS 1289.2.1.1.
- 6.5 Determine the optimum moisture content (OMC) and maximum dry density (MDD) using the test portions prepared in Step 6.3 c) as detailed in Test Methods Q142A or Q142B as appropriate using a Type B mould or Type A mould where there is no oversize retained on the 19.0 mm sieve.

7 Calculation of mix quantities

- 7.1 Mix quantities shall be calculated as follows:
- 7.2 For each foamed bitumen test portion:
 - 7.2.1 Using the procedure detailed in Test Method Q135A with nominated dry stabilising agent content (p_1), calculate the dry mass of each test portion (m_2) and mass of stabilising agent (lime or lime / flyash) (m_s).
 - 7.2.2 Calculate the target compaction moisture content as follows:

$$w_2 = \text{OMC} \frac{RM_n}{100}$$

where w_2 = target compaction moisture content (%)

OMC = optimum moisture content (%)

RM_n = nominated relative moisture content as a percentage of OMC (%) (Note 12.5)

- 7.2.3 Calculate the mass of mixing water to be added as follows (Note 12.6):

$$m_3 = \frac{(m_2 w_2)}{100} - (m_1 - m_2) + 30p_1$$

where m_3 = mass of mixing water to be added (g)

- m_2 = mass of dry material in test portion (g)
 w_2 = target compaction moisture content (%)
 m_1 = mass of wet material in test portion (g)
 p_1 = stabilising agent content (lime and/or lime / flyash) (%)

7.2.4 Calculate the mass of bitumen required as follows:

$$m_b = \frac{(1+LF)m_2p_2}{100}$$

- where m_b = mass of bitumen (g)
 LF = loss factor (usually 0.013) (Note 12.7)
 m_2 = mass of dry material in test portion (g)
 p_2 = stabilising agent content (bitumen) (%)

7.2.5 Calculate the mass of foaming agent (if required) as follows (Note 12.9):

$$m_{fa} = 0.005(m_{b1} - m_{b2})$$

- where m_{fa} = mass of foaming agent (g)
 m_{b1} = mass of bitumen and container before heating (g)
 m_{b2} = mass of residual bitumen and container after transfer (g)

8 Production of test specimens

The test specimens shall be produced as follows:

8.1 Preparation of foaming apparatus

- 8.1.1 Before foaming it is necessary to conduct trials for each batch of bitumen to determine the optimum mass flow of bitumen and foamant water flow to achieve a minimum expansion ratio of 10 and half-life of 20 seconds (Note 12.9).
- 8.1.2 Determine the mass of the container and bitumen before heating (m_{b1}).
- 8.1.3 Preheat the bitumen in an oven to 100°C (Note 12.10).
- 8.1.4 Preheat the foaming apparatus to about 140°C (this usually takes about 20 minutes).
- 8.1.5 Transfer the hot bitumen from the oven to the foaming apparatus. Turn on the bitumen pump and circulate while heating the bitumen to 180°C.
- 8.1.6 Determine the mass of the residual bitumen and container after transfer (m_{b2}).
- 8.1.7 Add the foaming agent, if required, to the foaming apparatus and continue circulating the bitumen for approximately 10 - 15 minutes before commencing the production of foamed bitumen.
- 8.1.8 Using the metal container, check to ensure the foaming apparatus will discharge 500 g of bitumen and adjust the bitumen pump timer if necessary.

8.2 Foaming and mixing

- 8.2.1 Add the dry material from two test portions prepared in Step 6.3 a) to the mixer and distribute the dry stabilising agent (lime or lime / flyash) evenly over the surface of the dry materials.
- 8.2.2 Mix the dry material and dry stabilising agent for 2 minutes adding the mixing water gradually to the mixer.
- 8.2.3 Move the mixer adjacent to the foaming apparatus and add the mass of bitumen as foam to the mixer.
- 8.2.4 Move the mixer away from the foaming apparatus and continue mixing for a further 2 minutes.
- 8.2.5 Transfer the material from the mixer to a suitable storage container(s). A rubber mallet, spatula and scoop may be used to assist with loosening material adhering to the interior of the mixer.
- 8.2.6 Repeat Steps 8.2.1 to 8.2.5 with remaining test portions prepared in Step 6.3 a). When completed recombine the mixed materials and thoroughly mix.
- 8.2.7 Prepare 18 or more representative test portions of the foamed material as detailed in Test Method Q101, Steps 6.2.4 to 6.2.6, of sufficient quantity to produce a specimen of 60 - 80 mm in height (Note 12.11).
- 8.2.8 Obtain a subsample of the mixture and determine the achieved compaction moisture content (w) as detailed in Test Method AS 1289.2.1.1.

9 Working time

The procedure shall be as follows:

9.1 Determination of working time

- 9.1.1 Adopt a reference working time of 1 hour (T_R).
- 9.1.2 Select at least five different working times (T_i) starting at eight hours and increasing in intervals of two hours (Note 12.12).

9.2 Compaction of specimens

- 9.2.1 Using the test portions prepared in Step 8.2.7 compact three specimens as detailed in Test Method Q138 Subsection 7.3 as follows:
 - a) record the date and time the mixing of test portion, stabilising agent(s) and water is commenced.
 - b) condition the mixture in an airtight container for the selected working time (T_R, T_i).
 - c) remove the conditioned mixture from the container and mould the three specimens as detailed in Test method Q138 Subsection 7.3 within ± 15 minutes of the selected working time (Note 12.13).
 - d) record the time the moulding of the test portion is completed.
- 9.2.2 Repeat Step 9.2.1 for each additional working time (T_i).

9.3 Three day soaked modulus

- 9.3.1 Determine the three day soaked modulus each test specimen compacted in Subsection 9.2 for each working time as follows:

- 9.3.2 Three specimens, to be stored in an oven at $40 \pm 5.0^\circ\text{C}$ for 72 ± 2.0 hours. Remove specimens from the oven and measure as detailed in Steps 7.1.1 to 7.1.3 of Test Method Q139. Allow the specimens to equilibrate to the test temperature in the environmental cabinet at $25 \pm 0.5^\circ\text{C}$ for three hours.
- 9.3.3 Three specimens, retained after the oven curing, to be placed in a container and covered with potable water at $25 \pm 0.5^\circ\text{C}$. Place in the vacuum chamber and apply a partial vacuum of 13 kPa or less absolute pressure for ten minutes (Note 10.2). After the vacuum soaking remove the specimens from the water and remove excess water. Test as detailed in Steps 7.1.4 to 7.5 of Test Method Q139.
- 9.3.4 Calculate the mean three day soaked modulus for each working time (SM_{3_R}, SM_{3_i}) as detailed in Steps 8.1 and 8.2.1 of Test Method Q139.

10 Calculations

Calculations shall be as follows:

10.1 Working time for three day soaked modulus

- 10.1.1 Calculate the three day soaked modulus at the working time as follows:

$$SM_{WT} = 0.80 SM_R$$

where SM_{WT} = three day soaked modulus at the working time (MPa)

SM_R = reference three day soaked modulus (MPa)

- 10.1.2 Plot the working time (T_R, T_i) for the compacted specimens against the corresponding mean three day soaked modulus (SM_{3_R}, SM_{3_i}). Draw a smooth curve of best fit through the resulting points (Refer to Figure 1).
- 10.1.3 From the plot, determine the time in hours corresponding to the intersection between the smooth curve drawn in Step 10.1.2 and the three day soaked modulus at the working time (SM_{WT}) (Refer to Figure 1). Record as the working time for three day soaked modulus (WT_{SM}). This will also be the allowable working time (AWT) for the foamed bitumen material.

11 Reporting

The following shall be reported:

- 11.1 A tabulation of working time and mean three day soaked modulus.
- 11.2 A graph of mean three day soaked modulus versus working time, including the curve of best fit and indication of the working time for three day soaked modulus.
- 11.3 Working time for three day soaked modulus to the nearest 0.5 hours.
- 11.4 The allowable working time (AWT) to the nearest 0.5 hours.
- 11.5 General Information:
- a) Source and description of the host material.
 - b) Source and type of the stabilising agent(s).
 - c) Percentage of stabilising agent(s) used.

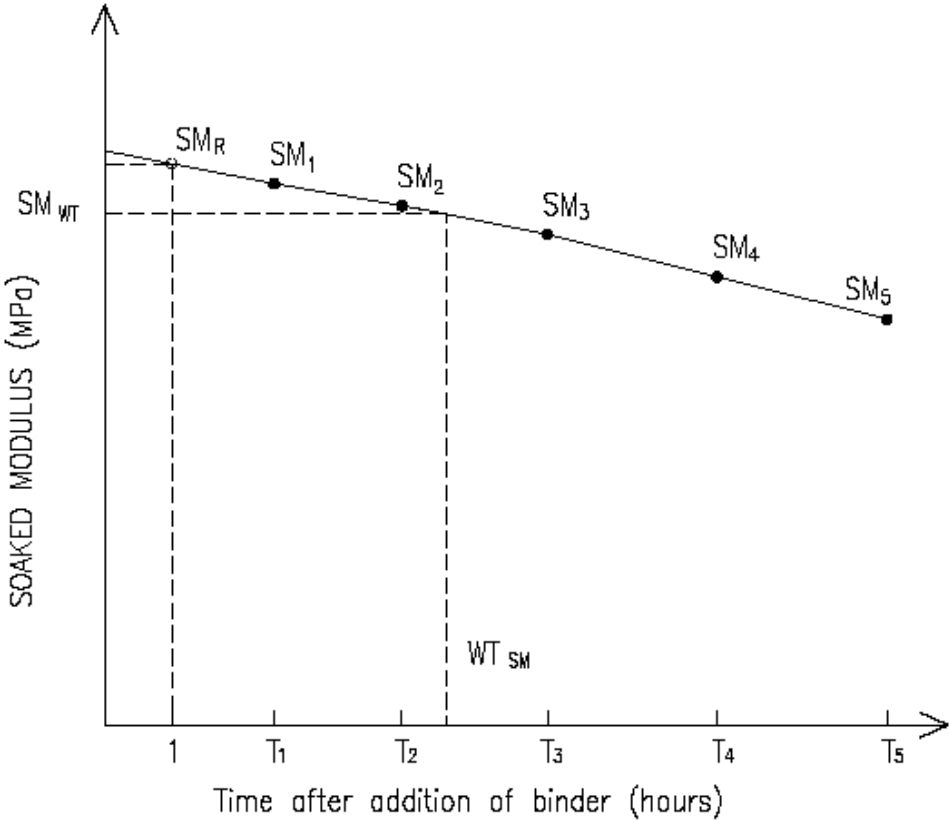
12 Notes on method

- 12.1 A Wirtgen WLB 10 S has been found to be suitable.
- 12.2 Where a mechanical compactor is used instead of the hand compactor, the mass, free fall and design of the hammer foot should be identical to those of the hand compaction hammer and the automatic compactor should be securely anchored to a base. Mechanical compactors will typically apply blows at a rate of about 50 blows / minute.
- 12.3 Before handling bitumen, foaming additive, hydrated lime or flyash, the operator should consult the relevant SDS.
- 12.4 The combined test portion mass of 26 kg will be adequate for most materials. This is required to ensure the mixer has sufficient material to mix effectively and ensure the foamed bitumen can be incorporated with minimal loss. To produce sufficient material for 18 specimens, two charges of the mixer will be required.
- 12.5 A nominated relative moisture content of 70% for standard compaction and 85% for modified compaction have been found to be appropriate. These values may need to be adjusted to achieve full compaction and distribution of the foamed bitumen through the material.
- 12.6 The value of $60p_1$ is included to provide extra water for hydrated lime reactions.
- 12.7 The loss factor allows for the binder retained within the mixer. This can be checked by taking subsamples of the mixture and testing for binder content as detailed in Test Method Q118. As the mixer wears it may be necessary to increase the loss factor.
- 12.8 Foaming agent volume of 0.5% by mass of bitumen has been found to be adequate for most materials.
- 12.9 Further information on optimising the mass flow of bitumen and foamant water flow may be found in the Wirtgen GmbH, *Cold Recycling Manual*, 2012.
- 12.10 Bitumen may be heated overnight at 100°C before transferring to the foaming machine.
- 12.11 A compaction portion mass of 2700 g will be adequate for most materials.
- 12.12 The usual working times will be 8, 10, 12, 14 and 16 hours.
- 12.13 When mixing and conditioning more than one test portion, sequence the work such that any time for conditioning and the time to completion of compaction are observed. These times are measured from when the first increment of water is added to the mixture of material and lime or lime / flyash.

Table 1 - Dimensions and tolerances for compaction apparatus

Apparatus	Dimension	Tolerance
Mould		
Internal diameter (mm)	152.40	± 0.2
Hammer		
Tamping face diameter (mm)	149.4	± 0.1
Sliding weight mass (kg)	10.21	± 0.01
Free fall (mm)	457.2	± 2.5

Figure 1 – Working time for three day soaked modulus



Test Method Q137: Permanent deformation and resilient modulus of unbound material

1 Source

This method applies the principles of AS 1289.6.8.1: Methods of testing soils for engineering purposes - Soil strength and consolidation tests - Determination of the resilient modulus and permanent deformation of unbound pavement materials.

This method was developed in-house using techniques evolved through internal departmental research investigations into the characterization of material performance since 2000. The primary differences between this method and other approaches are:

- i) testing three specimens at a nominated density over a range of moisture contents (expressed in terms of the degree of saturation of the specimen). In examining the permanent deformation responses of the specimens at different degrees of saturation, the extent of the sensitivity to moisture changes for a material can be assessed
- ii) applying a constant stress ratio of 750/125 kPa to each specimens for 100,000 cycles of load/unload, and
- iii) performing the test under undrained conditions with pore pressure measurements.

Additional information was referenced from HEAD, K.H. *Manual of Soil Laboratory Testing*, Vol. 2, London, Pentech Press, 1982. Paragraph 13.3.8.

2 Scope

This method covers the determination of the permanent deformation and the resilient modulus of an unbound material (maximum particle size not exceeding 19 mm) under the action of cyclic vertical loading measured using repeated load triaxial equipment.

A minimum of three specimens of unbound material are prepared to a nominated dry density or relative compaction and to a moisture content corresponding to a target DoS. The DoS target values for all three specimens should be selected such that there is an adequate range over which to compare the performance of the specimens.

Subject each specimen to 100,000 cycles of loading and unloading using a constant vertical stress, under undrained conditions, at a constant confining pressure. The permanent deformation and pore water pressure responses to loading and the resilient modulus properties of the material are measured under these conditions.

3 Apparatus

Where appropriate, the working tolerances of particular apparatus are contained in Tables 1 and 2.

The following apparatus is required:

- 3.1 Dynamic loading equipment capable of applying a vertical dynamic force of up to 10 kN and a static confining pressure of up to 500 kPa (generally an incompressible fluid such as water is used as the confining medium) (Figure 1). The equipment consists of the following:
 - a) Vertical dynamic force loading cycle with a period of 3 seconds with rise and fall times of up to 0.3 seconds and load pulse width of 1 second (Figure 2).
 - b) Device for vertical load measurement meeting the requirements of AS 2193 for Class A testing machines. A load measuring device that can be operated from within

the triaxial cell is recommended for the determination of the modulus for the specimen (for example, internal submersible load cell).

- c) Loading equipment capable of providing at least 100,000 vertical load cycles continuously.
- d) Static confining pressure controllable within 5 kPa of the required applied pressure and measured at the base of the triaxial cell using a device that meets the accuracy requirements of AS 1349 for industrial gauges.
- e) Standard triaxial cell for 100 mm diameter samples, with a working pressure of at least 500 kPa.
- f) Porous plate to be in contact with the specimen and the base pedestal of the standard triaxial cell. The porous plates may be made of silicon carbide, aluminium oxide or sintered bronze. Other materials may be used provided they are not attacked by soil or soil moisture. The plates are sufficiently rigid to withstand the pressures applied without changes in physical properties. The plates are sufficiently fine so that soil will not extrude into the pores, but sufficiently coarse to have a permeability appreciably greater than the soil sample.
- g) Vertical displacement measuring device with a range of 20 mm, for a gauge length equal to the height of the specimen meeting the accuracy and repeatability requirements for a Grade B extensometer as defined in AS 1545.
- h) Distance measuring device for measuring the length and diameter of each specimen to an accuracy of $\pm 0.2\%$.
- i) Computer and data acquisition equipment capable of recording the data from the load, displacement, and pore water pressure measuring devices to the required accuracy.

- 3.2 Sieves, 19.0 mm and 9.50 mm complying with ISO 3310.
- 3.3 Steel rammer, having a 50 mm diameter face. For standard compactive effort, a rammer with a drop mass of 2700 g and a drop height of 300 mm. For modified compactive effort, a rammer with a drop mass of 4900 g and a drop height of 450 mm.
- 3.4 Cylindrical split metal mould capable of producing a specimen 100 mm diameter and 200 mm high with a collar of sufficient height to permit the filling of the mould in layers with loose soil prior to compaction.
- 3.5 Material height gauge. A flat steel bar, about 250 mm long, 25 mm wide and 1-3 mm thick is satisfactory (Note 10.1).
- 3.6 Sealable containers suitable for curing moist samples.
- 3.7 Mixing apparatus, such as a tray, trowel or scoop and water sprayer.
- 3.8 Seamless rubber membrane in the form of a tube, open at both ends, of internal diameter equal to that of the specimen and length about 50 mm greater than that of the specimen and of 0.3 mm to 0.60 mm thickness. For materials with an appreciable proportion of coarse-grained particles, a recommended thickness of 0.6 mm to reduce the risk of membrane rupture during testing.
- 3.9 Membrane stretcher to suit the size of specimen.
- 3.10 Rubber rings of circular cross-section to suit the diameter of the end caps.

- 3.11 Balance of suitable capacity, having a resolution of at least 0.1 g and with a limit of performance within the range of ± 0.5 g.

4 Materials

The following material is required:

- 4.1 Mould oil, a light mould oil such as Caltex Mould Oil 20 (Note 10.2).

5 Sample preparation

The sample shall be prepared as follows:

- 5.1 Prepare the bulk sample as detailed in Section 5 of Test Method Q101 to produce a representative subsample of at least 100 kg.
- 5.2 Screen the subsample on a 19.0 mm sieve as detailed in Test Method Q101, Steps 6.2.1 to 6.2.3. Ensure that any aggregations are broken up to pass a 9.50 mm sieve and retain any oversize material.
- 5.2.1 Where oversize is retained on the 19.0 mm sieve, determine its mass (m_{ow}) and the mass of the passing 37.5 mm (undersize) material (m_{uw}). Calculate the percentage oversize on a wet mass basis as follows:

$$P_{ow} = \frac{100m_{ow}}{m_{ow} + m_{uw}}$$

where P_{ow} = percentage by wet mass of oversize

m_{ow} = wet mass of oversize (g)

m_{uw} = wet mass of undersize (g)

- 5.3 Discard any material retained on the 19.0 mm sieve.
- 5.4 Prepare representative test portions of the sieved material as detailed in Test Method Q101, Steps 6.2.4 to 6.2.6 as follows:
- minimum of 3 test portions of 6000 g for repeated load triaxial testing and determine the mass of each test portion (m_1)
 - test portion for hygroscopic moisture content
 - test portion for soil particle density, and
 - suitable number of test portions to determine the OMC and MDD.
- 5.5 Determine the hygroscopic moisture content (W_1) of the test portion prepared in Step 5.4 b) as detailed in Test Method AS 1289.2.1.1.
- 5.6 Determine the soil particle density (ρ_{st}) of the test portion prepared in Step 5.4 c) as detailed in Test Method AS 1289.3.5.1.

- 5.7 Determine the OMC and MDD of the test portion prepared in Step 5.4 d) as detailed in the relevant test method from Test Methods Q142A or Q142B as appropriate using a Type A mould.

6 Preparation of test specimens

The test specimens shall be prepared as follows:

6.1 Curing

- 6.1.1 For each test portion calculate the dry mass of material as follows:

$$m_2 = \frac{100m_1}{100+w_1}$$

- where m_2 = mass of dry material in test portion (g)
 m_1 = mass of wet material in test portion (g)
 w_1 = hygroscopic moisture content (%)

- 6.1.2 Using the procedure detailed in Test Method Q145A, calculate the target compaction moisture content (W_2) to achieve the nominated relative compaction and nominated relative moisture content or nominated DoS.

- 6.1.3 For each test portion calculate the mass of mixing water to be added as follows:

$$m_3 = \frac{(m_2 w_2)}{100} - (m_1 - m_2)$$

- where m_3 = mass of mixing water to be added (g)
 m_2 = mass of dry material in test portion (g)
 w_2 = target compaction moisture content (%)
 m_1 = mass of wet material in test portion (g)

- 6.1.4 Measure out the required mass of mixing water to be added (m_3).
- 6.1.5 Spread out the test portion on the mixing tray. Add the mixing water to the material in small increments and combine thoroughly to form a uniform mixture (Note 10.3).
- 6.1.6 After mixing, place the mixture into a curing container. Cure for the time specified for the material (refer to Table 3). Record the time of commencement and completion of the curing.

6.2 Compaction

Compact the test specimens as follows:

- 6.2.1 Undertake all necessary calculations, mould preparation and compaction of the test portion as detailed in Test Method Q145A. For portions requiring standard compaction the test portion will be compacted in six layers. For portions requiring modified compaction the test portion will be compacted in ten layers.

- 6.2.2 Where the achieved DoS of a compacted specimen varies from the target DoS value by greater than $\pm 4.0\%$, discard the specimen and repeat the preparation to Q145A for the required target placement conditions. Similarly, where the achieved dry density varies from the specified target dry density by $> 0.02 \text{ t/m}^3$, discard the specimen and repeat the preparation to Q145A.
- 6.2.3 For non-cohesive material, the specimen is likely to collapse during demoulding (or extrusion) from the mould. For these circumstances, the mould may be lined with a rubber or plastic membrane to hold the sample together after demoulding. When required, make corrections for the mass and volume of the membrane (Note 10.4). If the membrane is punctured during compaction, a second membrane will be required for the test.

7 Repeat load triaxial testing

The repeat load triaxial testing shall be performed as follows:

7.1 Specimen assembly

- 7.1.1 Place the triaxial cell base on the platform of the loading machine.
- 7.1.2 Ensure the pore water pressure port is filled with water and free of air.
- 7.1.3 Place a deaired porous plate on the base pedestal of the triaxial cell. A filter paper disc may be placed between the soil specimen and the porous plate.
- 7.1.4 Initialise the pore water pressure transducer and record the zero measurement (μ_1).
- 7.1.5 To ensure that the test is performed undrained, ensure the back pressure port valve is closed.
- 7.1.6 Invert the specimen and mould and place centrally on the base pedestal such that the top face of the specimen is in contact with the pedestal. Remove the specimen from the mould by disassembling the split mould. Ensure that the specimen is not damaged during the demoulding process.
- 7.1.7 Measure the length (h_s) and diameter (d_s) of the specimen to the nearest 0.5 mm (Note 10.5).
- 7.1.8 Place the loading cap on top of the specimen. Using the membrane stretcher, place the rubber membrane around the specimen and seal the membrane at both end platens by means of the rubber rings.
- 7.1.9 Assemble the triaxial cell into position ensuring that the loading ram is seated centrally in the load cap. Adjust the position of the load cell to ensure it is set up within its calibrated range and initialise the reading.
- 7.1.10 Attach the displacement measuring device to the loading ram so that it is set up to operate within its calibrated range and initialise the reading.
- 7.1.11 Initialise the confining pressure transducer reading and record the zero measurement ($\sigma_{3(1)}$).
Fill the cell with de-aired water to be used for applying the confining pressure and remove any air bubbles.

7.2 Cyclic loading

Perform the cyclic loading as follows:

- 7.2.1 Apply and hold a confining pressure of 125 kPa to the test specimen. Record the actual confining pressure achieved ($\sigma_{3(2)}$).
- 7.2.2 Monitor the increase in pore water pressure until a maximum value is reached. Record the maximum pore water pressure observed (μ_2).
- 7.2.3 Apply loading/unloading cycles (Figures 2 and 3) using a target total vertical stress of 750 kPa to the specimen for 100,000 loading cycles or until the permanent deformation of the specimen exceeds the limitations of the testing system.
- 7.2.4 Remove the specimen from the cell.
- 7.2.5 Repeat this procedure for each test specimen.

8 Calculations

Calculations shall be as follows:

- 8.1 The achieved dry density, achieved moisture content, achieved relative compaction, achieved percentage of OMC and achieved DoS as detailed in Test Method Q145A.
- 8.2 Calculate the cross-sectional area of each specimen as follows:

$$A = \frac{\pi d_s^2}{4} 10^{-6}$$

where A = cross-sectional area of the specimen (m^2)
 d_s = diameter of the specimen (mm)

- 8.3 Calculate the dry density (ρ_d) of the specimen as follows:

$$\rho_d = \frac{(m_2 - m_1)}{Ah_s} \times \frac{10^5}{(100 + \omega)}$$

where ρ_d = dry density of the specimen (t/m^3)
 m_2 = the mass of specimen, mould and collar, and baseplate if applicable (g)
 m_1 = the mass of the mould and collar, and baseplate if applicable (g)
 A = cross-sectional area of the specimen (m^2)
 h_s = the height of the specimen (mm)
 ω = moisture content of the specimen (%)

- 8.4 Calculate the pore pressure coefficient (B) for the initial application of confining pressure as follows:

$$B = \frac{\mu_2 - \mu_1}{\sigma_{3(2)} - \sigma_{3(1)}}$$

- where B = pore pressure coefficient
 μ_1 = initial pore water pressure (kPa)
 μ_2 = maximum pore water pressure after application of confining pressure, prior to the commencement of loading cycles (kPa)
 $\sigma_{3(1)}$ = initial confining pressure (kPa)
 $\sigma_{3(2)}$ = maximum applied confining pressure (kPa)

- 8.5 Calculate the deviator stress ($\sigma_{d(n)}$) at any loading cycle (n), where recordings are made as follows:

$$\sigma_{d(n)} = \sigma_{1(n)} - \sigma_{3(n)} = \left(\frac{F_v}{A} \right) - \sigma_{3(n)} \left[1 - \frac{(A - a)}{A} \right]$$

- where $\sigma_{d(n)}$ = the deviator stress for that cycle (Notes 10.6, 10.7 and 10.8) (kPa)
 $\sigma_{1(n)}$ = the maximum vertical stress applied to the specimen (Notes 10.6, 10.7 and 10.8) for that cycle (kPa)
 $\sigma_{3(n)}$ = the confining stress applied to the specimen (kPa)
 F_v = the vertical force applied to the loading ram (kN)
 A = the cross-sectional area of the specimen (m²)
 a = the cross-sectional area of the loading ram (m²)

- 8.6 For the resilient modulus at the completion of each loading cycle (n), calculate as follows:

- 8.6.1 The gauge length ($l_{g(n)}$) over which the resilient deformation is measured (Note 10.7) for that cycle as follows:

$$l_{g(n)} = l_i - (\delta_{4(n-1)} - \delta_1)$$

- where $l_{g(n)}$ = gauge length over which the deformation is measured for that cycle (mm)
 l_i = the initial gauge length, that is, the initial height of the specimen (h_s) (mm)
 $\delta_{4(n-1)}$ = vertical displacement with the confining stress (σ_3) applied and the vertical force F , released for the previous cycle (mm)

- δ_1 = vertical displacement at the commencement of the test with no confining stress (σ_3) and no vertical force (F_v), applied (mm) (Figure 3)
- n = the cycle number

8.6.2 The resilient vertical strain ($\epsilon_{r(n)}$) as follows:

$$\epsilon_{r(n)} = \frac{(\delta_{3(n)} - \delta_{4(n)})}{l_{g(n)}} 100$$

- where $\epsilon_{r(n)}$ = resilient vertical strain (%)
- $\delta_{3(n)}$ = vertical displacement with the confining stress and the deviator stress applied (mm)
- $\delta_{4(n)}$ = vertical displacement with the confining stress applied and the deviator stress released (mm) (Figure 3)
- $l_{g(n)}$ = gauge length over which the deformation is measured for that cycle (mm)

8.6.3 The resilient modulus ($E_{r(n)}$) at the nth cycle as follows:

$$E_{r(n)} = \frac{\sigma_{d(n)}}{\epsilon_{r(n)}} 10^{-1}$$

- where $E_{r(n)}$ = the resilient modulus at that cycle (MPa)
- $\sigma_{d(n)}$ = the deviator stress at that cycle (kPa)
- $\epsilon_{r(n)}$ = the resilient vertical strain at that cycle (%)

8.7 For the permanent vertical strain ($\epsilon_{p(n)}$) at any loading cycle (n), calculate as follows:

$$\epsilon_{p(n)} = \frac{(\delta_{4(n)} - \delta_2)}{l_i} 100$$

- where $\epsilon_{p(n)}$ = permanent vertical strain at that cycle (%)
- $\delta_{4(n)}$ = vertical displacement with the continuing stress applied and the deviator stress released (mm) (Figure 3)
- δ_2 = vertical displacement when the confining stress is first applied (mm)
- l_i = the initial gauge length, that is, the initial height of the specimen (h_s) (mm)

9 Reporting

The following shall be reported:

9.1 Specimen preparation details, including the method of placement and drainage conditions.

- 9.2 The percentage of oversize material retained on 19.0 mm sieve.
- 9.3 For each specimen, the achieved dry density, achieved moisture content, target relative compaction, achieved relative compaction, nominated relative moisture content as a percentage of OMC, achieved percentage of OMC, nominated degree of saturation and achieved degree of saturation as detailed in Test Method Q145A.
- 9.4 The nominal vertical stress and the nominal confining stress applied to the specimen to the nearest 1 kPa.
- 9.5 The pore pressure coefficient to the nearest 0.01.
- 9.6 The values of the parameters below for the following nominal loading cycle counts; 1, 100, 1000, 5000, 10000, 25000, 50000, 75000, and 100,000:
- cycle number (n).
 - permanent strain to the nearest 0.01%.
 - resilient strain to the nearest 0.01%.
 - resilient modulus to the nearest 10 MPa.
 - pore water pressure to the nearest 1 kPa.
- 9.7 Plots of the permanent strain, resilient strain, resilient modulus and pore water pressure as a function of the cycle number (n).
- 9.8 The number of this test method, that is Q137.

10 Notes on method

- 10.1 A material height gauge, which allows monitoring of the height of compacted material relative to the top of the RLT mould, can be made from a steel bar as follows:
- 10.1.1 RLT mould – Standard (Std) compaction.
- Commencing at one end of the bar, measure and mark distances of:
- a) 5.5 mm for the upper range of the sixth layer
 - b) 30.5 mm and 35.5 mm for the acceptable range of the fifth layer
 - c) 64.0 mm and 69.0 mm for the acceptable range of the fourth layer
 - d) 97.5 mm and 102.5 mm for the acceptable range of the third layer
 - e) 131.0 mm and 136.0 mm for the acceptable range of the second layer, and
 - f) 164.0 mm and 169.0 mm for the acceptable range of the first layer.
- 10.1.2 RLT Mould – Modified (Mod) compaction.
- Commencing at one end of the bar, measure and mark distances of:
- a) 5.5 mm for the upper range of the tenth layer
 - b) 17.5 mm and 22.5 mm for the acceptable range of the ninth layer
 - c) 37.5 mm and 42.5 mm for the acceptable range of the eighth layer
 - d) 57.5 mm and 62.5 mm for the acceptable range of the seventh layer
 - e) 77.5 mm and 82.5 mm for the acceptable range of the sixth layer
 - f) 97.5 mm and 102.5 mm for the acceptable range of the fifth layer

- g) 117.5 mm and 122.5 mm for the acceptable range of the fourth layer
- h) 137.5 mm and 142.5 mm for the acceptable range of the third layer
- i) 157.5 mm and 162.5 mm for the acceptable range of the second layer, and
- j) 177.5 mm and 182.5 mm for the acceptable range of the first layer.

- 10.1.3 Mark each face with the appropriate compactive effort (Std or Mod).
- 10.2 Before handling oil, the operator should consult the relevant SDS.
- 10.3 It is important to mix water thoroughly into the material and the test portion cured for sufficient time to allow the even distribution of water throughout the material.
- 10.4 Membrane correction - where significant axial strains occur (that is, >2%) or multiple membranes are used, membrane corrections may be significant and should be applied to the calculation of the deviator stress, as detailed in Reference 1.
- 10.5 For fragile materials the internal dimensions of the mould may be measured to avoid damaging the compacted specimen.
- 10.6 Loading system - the contribution of the cell pressure to the vertical stress will be dependent on the loading system used. The calculation for deviator stress is for a rigid loading system. For a flexible loading system, a secondary force may be required throughout the duration of the test to ensure the loading ram is firmly in contact with the top loading cap. This secondary force should be taken into account when calculating the deviator stress.
- 10.7 Area correction - for samples which suffer significant vertical and lateral deformation (that is >2%) (that is samples prepared near OMC), an area correction (AS 1289.6.4.1) should be applied to accurately calculate the dry stresses applied to the specimen.
- 10.8 Specimen length - to determine the resilient strain, and hence the resilient modulus, in real time, the gauge length used for modulus determination at any cycle (n), is the gauge length at the completion of the previous cycle (n-1).

Table 1 – Dimensions and tolerances for RLT equipment

Apparatus	Dimension	Tolerance
Mould		
Internal diameter (mm)	100	± 1
Height (mm)	200	± 2
Levelling plate		
Diameter (mm)	99	0, -1
Height (mm)	20	minimum

Table 2 – Dimensions and tolerances for rammers

Apparatus	Dimension	Tolerance
Rammer – standard		
Face diameter (mm)	50	± 0.4
Drop (mm)	300	± 2.0
Mass (g)	2700	± 10

Rammer – modified		
Face diameter (mm)	50	± 0.4
Drop (mm)	450	± 2.0
Mass (g)	4900	± 10

Table 3 – Minimum curing time

Plasticity	Condition of prepared test portion	
	Sample moisture content within $W_2 \pm 2\%$	Sample moisture content outside $W_2 \pm 2\%$
Sands and granular material*	2 h	2 h
Low (LL ≤ 35%)	24 h	48 h
Medium (35 < LL ≤ 50%)	48	96 h (4 days)
High (LL > 50%)	96 h (4 days)	168 h (7 days)

* These can include naturally occurring sands and gravels, crushed rocks and manufactured materials with a fines (< 0.075 mm) content typically less than 12% and low plasticity.

W_2 = target compaction moisture content.

Figure 1 – Schematic of typical repeated load triaxial test apparatus

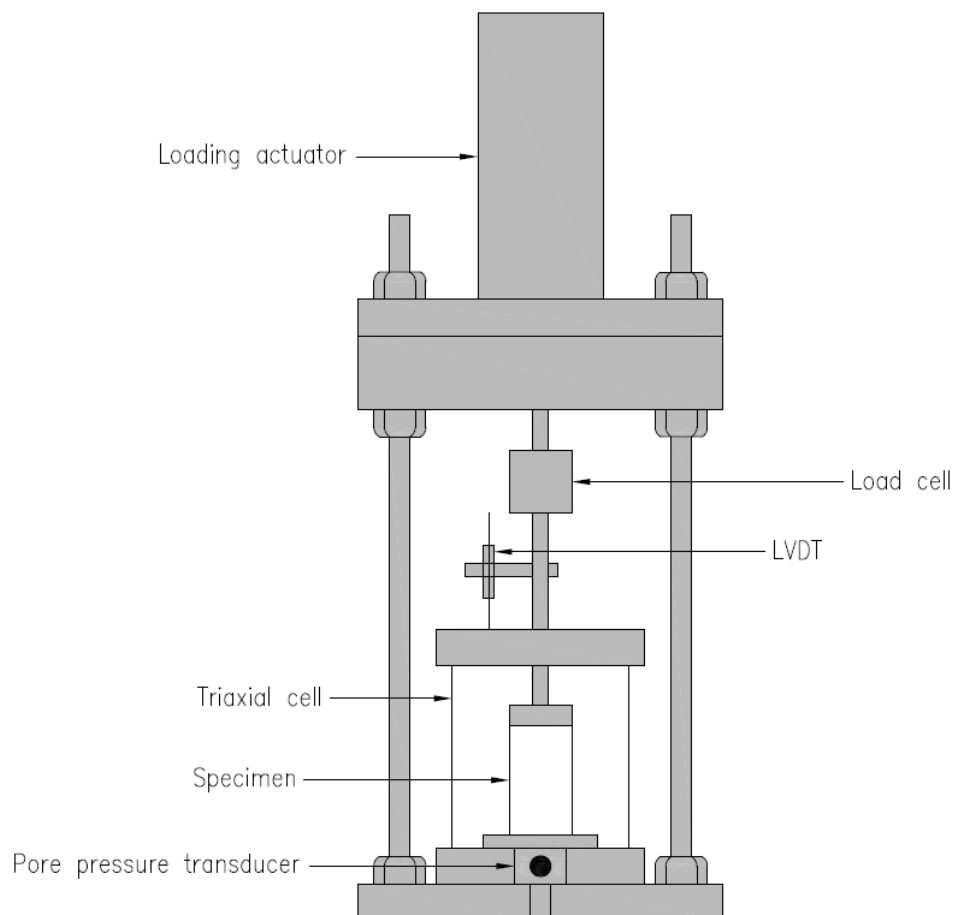


Figure 2 - Illustration of the vertical force waveform

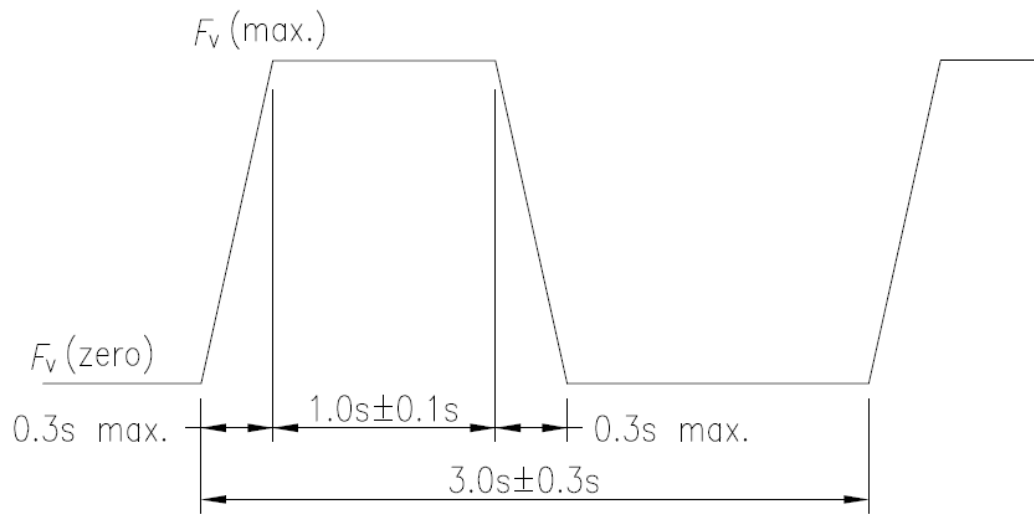
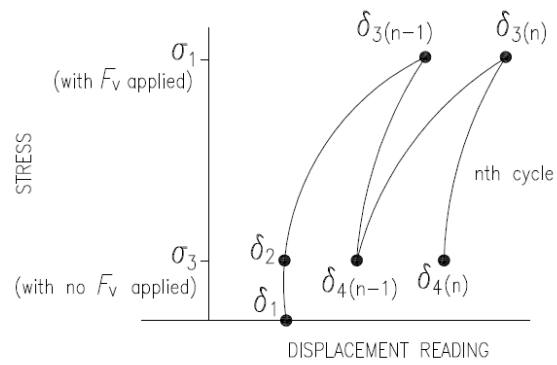


Figure 3 - Illustration of terms



Test Method Q138A: Preparation and compaction of laboratory mixed foamed bitumen stabilised material

1 Source

This method was developed in-house but utilises test specimen compaction based on Q305: Stability, Flow and Stiffness of Asphalt (Marshall) and applies it to the preparation and compaction of foamed bitumen stabilised materials.

2 Scope

This method describes the procedure for laboratory preparation, mixing and compaction of foamed bitumen stabilised materials. The method has particular application as a laboratory design procedure. Test specimens are compacted using passing 37.5 mm material and the Marshall apparatus.

3 Apparatus

Where appropriate the working tolerances of particular apparatus are contained in Table 1.

The following apparatus is required:

3.1 Foaming equipment

- 3.1.1 Bitumen foaming plant, capable of manufacturing foamed bitumen with a minimum expansion ratio of 10 and a minimum half-life of 20 seconds, heating bitumen between 140 and 180°C, maintaining bitumen temperature to within 2°C of set temperature, adding water to bitumen at rates between 0 and 5% by bitumen mass and control bitumen flow and water settings. The plant is to be configurable to measure the characteristic of the foamed bitumen produced (expansion ratio and half-life) (Note 9.1).
- 3.1.2 Metal container for checking the flow of foamed bitumen, having an internal diameter of 300 mm, a depth of 280 mm and a capacity of 15 litres.
- 3.1.3 Oven of suitable capacity, capable of heating bitumen to 100°C.
- 3.1.4 Mechanical mixing equipment, twin-shaft mixer with a capacity of about 30 kg, with variable settings for speed and mixing time. Should have a cover to allow direct discharge of foamed bitumen into mixer without splash or loss of material. (Note 10.1).
- 3.1.5 Suitable tools for removing all materials from mixer such as a mallet, spatula and scoop.

3.2 Compaction equipment

Examples of the apparatus are shown in ASTM D5581 Figures 1 to 3

- 3.2.1 Cylindrical steel compaction mould having an internal diameter of 152.4 mm, a height of 114.3 mm and a thickness of 6.35 mm; a mould base with a thickness of 12.7 mm and an extension collar having an internal diameter of 155.6 mm, a height of 82.6 mm and a thickness of 4.75 mm. The removable base is required to fit the compaction pedestal.
- 3.2.2 Hand compaction hammer, consisting of a flat circular tamping face having a diameter of 149.4 mm, and a sliding weight with a mass of 10.21 kg and a free fall of 457.2 mm (Note 9.2).

3.2.3 Hand compaction pedestal, consisting of the following:

- a) A wooden block, of approximate dimensions 200 mm square and 450 mm thick, capped by a steel plate of approximate dimensions 300 mm square and 25 mm thick. With an air-dry density of 720 kg/m³. The plate securely attached to the block and secured to a solid concrete floor or slab. Suitable clamp ring for restraining the compaction mould and guides for locating the compaction hammer centrally during compaction may be attached to the block, or
- b) A concrete block, of approximate dimensions 360 mm square and 610 mm thick. Suitable clamp ring for restraining the compaction mould and guides for locating the compaction hammer centrally during compaction may be attached to the block, or
- c) A steel post (circular or square cross-section), of approximate dimensions 150 mm diameter / square and 620 mm thick. Suitable clamp ring for restraining the compaction mould and guides for locating the compaction hammer centrally during compaction may be attached to the block.

3.2.4 Specimen extrusion jack, consisting of a hydraulic jack fitted with a plate on the ram and located within a metal frame. With, a plate 151.5 mm diameter and 12 mm thick for 150 mm diameter test specimens and a frame to retain the mould during extrusion of a test specimen.

3.3 Foam characteristic equipment

3.3.1 Metal container for checking the flow of foamed bitumen, having an internal diameter of 300 mm, a depth of 280 mm and a capacity of 15 litres.

3.3.2 Dipstick marked at intervals indicating expansion ratios (assuming 500 g of bitumen) or a rule that is longer than the depth of the discharge container capable of measuring the foam depth to 5 mm.

3.4 Balance of suitable capacity, having a resolution of at least 0.1 g and with a limit of performance within the range of ± 0.5 g.

3.5 Sieves, 37.5 mm and 9.50 mm, conforming with ISO 3310.

3.6 Stopwatch with a resolution not exceeding 0.1 seconds.

3.7 Riffing equipment.

3.8 Thermometer, a partial immersion thermometer or other suitable temperature measuring device having a temperature range of at least 150 C - 250°C and graduated to 1°C or less with an uncertainty of no more than 0.5°C.

3.9 Container for storing manufactured material.

4 Materials

The following materials are required (Note 9.3):

4.1 Bitumen, Class 170 sampled from a bulk supply and free of cutter, flux or other additives (usually supplied in 10 litre tins).

4.2 Foaming additive (Teric 311, Interfoam or equivalent).

4.3 Hydrated lime.

4.4 Blended hydrated lime and flyash.

4.5 Potable water.

4.6 Filter paper (Whatman No. 1 or equivalent).

5 Sample preparation

The sample shall be prepared as follows:

- 5.1 Prepare the bulk sample as detailed in Section 5 of Test Method Q101 to produce a representative sample of at least 80 kg.
- 5.2 Further prepare the material by screening the subsample on a 37.5 mm sieve as detailed in Test Method Q101, Steps 6.2.1 to 6.2.3. Ensure that any aggregations are broken up to pass a 9.5 mm sieve. Discard any material retained on the 37.5 mm sieve.
- 5.3 Prepare representative test portions of the sieved material as detailed in Test Method Q101, Steps 6.2.4 to 6.2.6 as follows:
 - a) minimum of two test portions of 13,000 g for foamed bitumen testing and determine the mass of each test portion (m_1) (Note 9.4)
 - b) test portion for hygroscopic moisture content, and
 - c) suitable number of test portions to determine the OMC and MDD.
- 5.4 Determine the hygroscopic moisture content (w_1) of the test portion prepared in Step 5.1.3 b) as detailed in Test Method AS 1289.2.1.1.
- 5.5 Determine the OMC and MDD using the test portions prepared in Step 5.3 c) as detailed in Test Methods Q142A or Q142B as appropriate using a Type B mould or Type A mould where there is no oversize retained on the 19.0 mm sieve.

6 Calculation of mix quantities

The mix quantities shall be calculated as follows:

- 6.1 For each foamed bitumen test portion:
 - 6.1.1 Using the procedure detailed in Test Method Q135A with nominated dry stabilising agent content (P_1), calculate the dry mass of each test portion (m_2) and mass of stabilising agent (lime or lime / flyash) (m_s).
 - 6.1.2 Calculate the target compaction moisture content as follows:

$$w_2 = \text{OMC} \frac{\text{RM}_n}{100}$$

- where
- w_2 = target compaction moisture content (%)
 - OMC = optimum moisture content (%)
 - RM_n = nominated relative moisture content as a percentage of OMC (%) (Note 9.5)

6.1.3 Calculate the mass of mixing water to be added as follows (Note 9.6):

$$m_3 = \frac{m_2 w_2}{100} - (m_1 - m_2) + 60p_1$$

where m_3 = mass of mixing water to be added (g)
 m_2 = mass of dry material in test portion (g)
 w_2 = target compaction moisture content (%)
 m_1 = mass of wet material in test portion (g)
 p_1 = stabilising agent content (lime or lime / flyash) (%)

6.1.4 Calculate the mass of bitumen required as follows:

$$m_b = \frac{(1+LF)m_2 p_2}{100}$$

where m_b = mass of bitumen (g)
 LF = loss factor (usually 0.013) (Note 9.7)
 m_2 = mass of dry material in test portion (g)
 p_2 = stabilising agent content (bitumen) (%)

6.1.5 Calculate the mass of foaming additive (if required) as follows (Note 9.9):

$$m_{fa} = 0.005(m_{b1} - m_{b2})$$

where m_{fa} = mass of foaming additive (g)
 m_{b1} = mass of bitumen and container before heating (g)
 m_{b2} = mass of residual bitumen and container after transfer (g)

7 Production of test specimens

The test specimens shall be produced as follows:

7.1 Preparation of foaming apparatus

- 7.1.1 Before foaming it is necessary to conduct trials for each batch of bitumen to determine the optimum mass flow of bitumen and foamant water flow to achieve a minimum expansion ratio of 10 and half-life of 20 seconds (Note 9.9).
- 7.1.2 Determine the mass of the container and bitumen before heating (m_{b1}).
- 7.1.3 Preheat the bitumen in an oven to 100°C (Note 9.10).
- 7.1.4 Preheat the foaming apparatus to about 140°C (this usually takes about 20 minutes).

- 7.1.5 Transfer the hot bitumen from the oven to the foaming apparatus. Turn on the bitumen pump and circulate while heating the bitumen to 180°C.
- 7.1.6 Determine the mass of the residual bitumen and container after transfer (m_{b2}).
- 7.1.7 Add the foaming additive, if required, to the foaming apparatus and continue circulating the bitumen for approximately 10-15 minutes before commencing the production of foamed bitumen.
- 7.1.8 Using the metal container, check to ensure the foaming apparatus will discharge 500 g of bitumen and adjust the bitumen pump timer if necessary.

7.2 Foaming and mixing

- 7.2.1 Add the dry material to the mixer and distribute the dry additive (lime or lime / flyash) evenly over the surface of the dry materials.
- 7.2.2 Mix the dry material and dry additive for 2 minutes adding the mixing water gradually to the mixer.
- 7.2.3 Discharge the material from the mixer and transfer to suitable airtight storage containers and allow to condition for 45 minutes.
- 7.2.4 Return the material to the mixer and mix the material for a further 2 minutes.
- 7.2.5 Move the mixer adjacent to the foaming apparatus and add the mass of bitumen as foam to the mixer.
- 7.2.6 Move the mixer away from the foaming apparatus and continue mixing for a further 2 minutes.
- 7.2.7 Transfer the material from the mixer to a suitable storage container(s). A rubber mallet, spatula and scoop may be used to assist with loosening material adhering to the interior of the mixer.
- 7.2.8 Prepare a minimum of three test portions as detailed in Test Method Q101, Steps 6.2.1 to 6.2.3, of sufficient quantity to produce a specimen of 60-80 mm in height (Note 9.11).
- 7.2.9 Obtain a subsample of the mixture and determine the achieved compaction moisture content (W_a) as detailed in Test Method AS 1289.2.1.1.

7.3 Compaction

- 7.3.1 Position a paper disc on the base plate within the assembled mould and collar.
- 7.3.2 Transfer the prepared material to the mould and level the surface taking care to avoid segregation.
- 7.3.3 Position another paper disc on the top surface of the material.
- 7.3.4 Transfer the compaction mould to the compaction pedestal and compact the mix using 50 blows of the compaction hammer with the hammer axis held vertically.
- 7.3.5 Remove the collar and base plate, then reassemble the compaction mould with the test specimen inverted and in contact with the base plate. Transfer the compaction mould to the compaction pedestal.
- 7.3.6 Apply a further 50 blows of the compaction hammer with the hammer axis held vertically.
- 7.3.7 Extrude the sample from the mould using the specimen extrusion device and discard the filter papers.

7.3.8 Record the date and time of compaction.

8 Reporting

The following shall be reported:

- 8.1 The date and time of compaction.
- 8.2 The maximum dry density to the nearest 0.01 t/m³.
- 8.3 The optimum moisture content to the nearest 0.5%.
- 8.4 The number of this test method, that is Q138A.

9 Notes on method

- 9.1 A Wirtgen WLB 10 S has been found to be suitable laboratory plant and a Wirtgen WLM 30 has been found to be a suitable mixer.
- 9.2 Where a mechanical compactor is used instead of the hand compactor, the mass, free fall and design of the hammer foot should be identical to those of the hand compaction hammer and the automatic compactor should be securely anchored to a base. Mechanical compactors will typically apply blows at a rate of about 50 blows/minute.
- 9.3 Before handling bitumen, foaming additive, hydrated lime or lime / flyash, the operator should consult the relevant SDS.
- 9.4 The combined test portion mass of 26 kg will be adequate for most materials. This is required to ensure the mixer has sufficient material to mix effectively and ensure the foamed bitumen can be incorporated with minimal loss.
- 9.5 A nominated relative moisture content of 70% for standard compaction and 85% for modified compaction have been found to be appropriate. These values may need to be adjusted to ensure the optimum moisture to achieve full compaction and distribution of the foamed bitumen through the material.
- 9.6 The value of $60p_1$ is included to provide extra water for hydrated lime reactions.
- 9.7 The loss factor allows for the binder retained within the mixer. This can be checked by taking subsamples of the mixture and testing for binder content as detailed in Test Method Q118. As the mixer wears it may be necessary to increase the loss factor.
- 9.8 Foaming additive volume of 0.5% by mass of bitumen has been found to be adequate for most materials.
- 9.9 Further information on optimising the mass flow of bitumen and foamant water flow may be found in the Wirtgen GmbH, *Cold Recycling Manual*, 2012 and Austroads Test Method *AG:PT/T301 – Determining the foaming characteristics of bitumen*.
- 9.10 Bitumen may be heated for at least 12 hours but not exceeding 72 hours at 100°C before transferring to the foaming machine.
- 9.11 A compaction portion mass of 2700 g will be adequate for most materials. All samples should be essentially the same mass, a tolerance of ± 2 g has been found to be suitable.

Table 1 - Dimensions and tolerances for compaction apparatus

Apparatus	Dimension	Tolerance
Mould		
Internal diameter (mm)	152.40	± 0.2
Hammer		
Tamping face diameter (mm)	149.4	± 0.1
Sliding weight mass (kg)	10.21	± 0.01
Free fall (mm)	457.2	± 2.5

Test Method Q138B: Preparation and compaction of field mix foamed bitumen stabilised material

1 Source

This method was developed in-house but uses test specimen compaction based on Test Method Q305: *Stability, Flow and Stiffness of Asphalt (Marshall)* and applies it to the preparation and compaction of foamed bitumen stabilised materials.

2 Scope

This method describes the procedure for field preparation, mixing and compaction of foamed bitumen stabilised materials. The method has particular application in preparing test field-mixed specimens in order to check field processes.

Test specimens are compacted using passing 37.5 mm material and the Marshall apparatus.

3 Apparatus

Where appropriate the working tolerances of particular apparatus are contained in Table 1.

The following apparatus is required:

3.1 Compaction equipment

Examples of the apparatus are shown in ASTM D5581 Figures 1 to 3

- 3.1.1 Cylindrical steel compaction mould having an internal diameter of 152.4 mm, a height of 114.3 mm and a thickness of 6.35 mm; a mould base with a thickness of 12.7 mm and an extension collar having an internal diameter of 155.6 mm, a height of 82.6 mm and a thickness of 4.75 mm. The removable base is required to fit the compaction pedestal.
- 3.1.2 Hand compaction hammer, consisting of a flat circular tamping face having a diameter of 149.4 mm, and a sliding weight with a mass of 10.21 kg and a free fall of 457.2 mm (Note 8.1).
- 3.1.3 Hand compaction pedestal, consisting of the following:
 - a) A wooden block, of approximate dimensions 200 mm square and 450 mm thick, capped by a steel plate of approximate dimensions 300 mm square and 25 mm thick, with an air-dry density of 720 kg/m³. The plate is securely attached to the block and secured to a solid concrete floor or slab. Suitable clamp ring for restraining the compaction mould and guides for locating the compaction hammer centrally during compaction may be attached to the block, or
 - b) A concrete block, of approximate dimensions 360 mm square and 610 mm thick. Suitable clamp ring for restraining the compaction mould and guides for locating the compaction hammer centrally during compaction may be attached to the block, or
 - c) A steel post (circular or square cross-section), of approximate dimensions 150 mm diameter / square and 620 mm thick. Suitable clamp ring for restraining the compaction mould and guides for locating the compaction hammer centrally during compaction may be attached to the block.
- 3.2 Specimen extrusion jack, consisting of a hydraulic jack fitted with a plate on the ram and located within a metal frame with a plate 151.5 mm diameter and 12 mm thick for 150 mm diameter test specimens and a frame to retain the mould during extrusion of a test specimen.

- 3.3 Balance of suitable capacity, having a resolution of at least 0.1 g and with a limit of performance within the range of ± 0.5 g.
- 3.4 Sieves, 37.5 mm and 9.50 mm, conforming with ISO 3310.
- 3.5 Riffing equipment.
- 3.6 Container for storing and transporting the sampled material.

4 Materials

The following materials are required:

- 4.1 Potable water.
- 4.2 Filter paper (Whatman No. 1 or equivalent).

5 Sample preparation

The sample shall be prepared as follows:

- 5.1 Sample the field-mixed material as soon as possible after the completion of mixing and seal the bulk sample in an airtight container for transport to the moulding location.
- 5.2 Prepare the sample on a 37.5 mm sieve as detailed in Test Method Q101, Steps 6.2.1 to 6.2.3. Ensure any moisture loss is minimised and any aggregations are broken up to pass a 9.5 mm sieve. Discard the material retained in the 37.5 mm sieve.
- 5.3 Prepare a compaction test portion, as detailed in Test Method Q101, Steps 6.2.4 to 6.2.6, of sufficient quantity to compact three specimens for insitu stabilised materials or nine specimens for plant mixed stabilised materials and provide a subsample for determining the compaction moisture content (Note 8.2).
- 5.4 Place the test portion in an airtight container(s) and put aside to condition for 45 minutes, timed from when field mixing was commenced.
- 5.5 Prepare a minimum of three test portions as detailed in Test Method Q101, Steps 6.2.1 to 6.2.3, of sufficient quantity to produce a specimen of 60–80 mm in height (Note 8.3).
- 5.6 Obtain a subsample of the mixture and determine the achieved compaction moisture content (W_a) as detailed in Test Method AS 1289.2.1.1.

6 Compaction

The sample shall be compacted as follows:

- 6.1.1 Position a paper disc on the base plate within the assembled mould and collar.
- 6.1.2 Transfer the prepared material to the mould and level the surface taking care to avoid segregation.
- 6.1.3 Position another paper disc on the top surface of the material.
- 6.1.4 Transfer the compaction mould to the compaction pedestal and compact the mix using 50 blows of the compaction hammer with the hammer axis held vertically.
- 6.1.5 Remove the collar and base plate, then reassemble the compaction mould with the test specimen inverted and in contact with the base plate. Transfer the compaction mould to the compaction pedestal.
- 6.1.6 Apply a further 50 blows of the compaction hammer with the hammer axis held vertically.

6.1.7 Extrude the sample from the mould using the specimen extrusion device and discard the filter papers.

6.1.8 Record the date and time of compaction.

7 Reporting

The following shall be reported:

7.1 Date and time of compaction.

7.2 The number of this test method, that is Q138B.

8 Notes on method

8.1 Where a mechanical compactor is used instead of the hand compactor, the mass, free fall and design of the hammer foot should be identical to those of the hand compaction hammer and the automatic compactor should be securely anchored to a base. Mechanical compactors will typically apply blows at a rate of about 50 blows/minute.

8.2 For field mixed materials a sample mass of 15 kg will be adequate for most materials.

8.3 A compaction portion mass of 2700 g will be adequate for most materials. All samples should be essentially the same mass, a tolerance of ± 2 g has been found to be suitable.

Table 1 - Dimensions and tolerances for compaction apparatus

Apparatus	Dimension	Tolerance
Mould		
Internal diameter (mm)	152.40	± 0.2
Hammer		
Tamping face diameter (mm)	149.4	± 0.1
Sliding weight mass (kg)	10.21	± 0.01
Free fall (mm)	457.2	± 2.5

Test Method Q139: Resilient modulus of stabilised material – indirect tensile method

1 Source

This method was developed in-house but applies the principles of AS 2891.13.1 – *Determination of the resilient modulus of asphalt – Indirect tensile method to the testing of foamed bitumen stabilised materials*.

2 Scope

This method describes the procedure for laboratory determination of the resilient modulus using repeat load indirect tensile techniques to determine foamed bitumen mix design properties.

The method may be used to test both laboratory mixed and field mixed (insitu and plant mixed) specimens prepared using Test Method Q138A and Q138B respectively. It may also be used to test cored specimens removed by dry coring using Test Method Q070.

3 Definition

Resilient horizontal deformation is defined as the difference between the peak horizontal deformation associated with a load pulse and the horizontal deformation at the end of the rest time of that load pulse.

4 Apparatus

Where appropriate the working tolerances of particular apparatus are contained in Table 1.

The following apparatus is required:

- 4.1 Testing machine, a pneumatic or hydraulic testing machine that is capable applying the following:
 - a) Approximately triangular shaped or haversine load pulse with a rise time (defined as the time required for the load pulse to rise from 10% to 90% of the peak force) in the range of 0.025 to 0.1 seconds with an accuracy of ± 0.005 seconds.
 - b) Load pulses with peak load adjustable over the range 0.4 kN to 3.9 kN with an accuracy of ± 0.05 kN. With an adjustable pulse repetition period over the range 0.5 seconds to 10 seconds ± 0.005 s (Refer to AS 2891.13.1 Figure 1 for pulse shapes) and applying this load pulse for at least 10 cycles for each specimen.
- 4.2 Temperature cabinet, a temperature-controlled cabinet that is capable of the following:
 - a) holding the loading frame, at least three test specimens and a dummy specimen and with sufficient internal space to permit adjustment of the frame, displacement measuring devices and specimens
 - b) maintaining a temperature of $25^{\circ}\text{C} \pm 0.5^{\circ}\text{C}$ and fitted with an external device that indicates the temperature inside the cabinet.
- 4.3 Measuring and recording apparatus, consisting of:
 - a) Load-measuring device of at least 3.9 kN capacity, meeting the requirements of an AS 2193 Class B testing machine when calibrated statically.
 - b) Displacement measuring device meeting the requirements of an AS 1545 Grade B extensometer for gauge lengths equal to the diameter of the specimen, with a range of at

least 100 µm for measurement of horizontal displacements for each pulse and capable of being held in contact with the specimen during the complete test. With the device anchored to the specimen through 114" UNF bolts to which a torque of approximately 250 mN.m is applied.

- c) Recorder able to read and record the individual measurements of load, temperature and the peak horizontal deformation after application of a pulse and the horizontal deformation at the end of the pulse.
- 4.4 Plano-cylindrical-concave steel loading blocks, 125 mm long blocks that are flat on the loading surface and curved on the surface in contact with the specimen. With the thickness of the blocks, measured at the thinnest section, between the concave surface and the flat surface on the other side not less than 18 mm. The width of the loading blocks as measured from tip to tip of the concave face, and the radius of curvature are shown in Table 1. There will be a hole at each end of the blocks to accommodate the locating bolts.
- 4.5 Calliper, with a resolution not greater than 0.1 mm conforming with the requirements of ISO 13385-1 or JIS B 7507.
- 4.6 Temperature measuring devices, readable to 0.1°C with an uncertainty not greater than 0.2°C at the required test temperature.
- 4.7 Torque screwdriver, conforming with ISO 6789, with minimum range 0.1 N m to 1 N m and readable to 10 mN m.

5 Specimen preparation and curing

5.1 Laboratory mixed specimens (insitu materials)

For laboratory mixed materials to be used in an insitu stabilising process, the procedure shall be as follows:

- 5.1.1 Prepare the material as detailed in Test Method Q138A to obtain six specimens (Note 9.1) for testing for initial modulus, three day cured modulus and three day, soaked modulus.
- 5.1.2 Following extrusion of the specimens from the compaction moulds, perform the initial curing of three specimens as detailed in Test Method Q135C Step 5.1.
- 5.1.3 After the initial curing, measure and test the specimens as detailed in Steps 6.1 to 6.5 to determine the initial / as received modulus, then discard these specimens once the initial modulus testing is complete.
- 5.1.4 Following extrusion of the specimens from the compaction moulds, perform the oven curing of the remaining three specimens as detailed in Test Method Q135C Step 5.2.
- 5.1.5 After the oven curing, test the specimens at 72 ± 1.0 hours from completion of compaction as detailed in Steps 6.1.5 to 6.5 to determine the cured modulus.
- 5.1.6 Following the three day modulus testing, perform the vacuum soaking of the specimens as detailed in Test Method Q135C Step 5.3.
- 5.1.7 After the vacuum soaking, test the specimens as detailed in Steps 6.1.5 to 6.5 to determine the soaked modulus.

5.2 Field mixed specimens (insitu materials)

For field mixed materials sampled from an insitu stabilising process the procedure shall be as follows:

5.2.1 Prepare the material as detailed in Test Method Q138B to obtain three specimens (Note 9.1) for testing for three day cured modulus and three day soaked modulus.

5.2.2 Perform the curing and testing as in Steps 5.1.4 to 5.1.7 with the specimens tested at 72 ± 1.0 hours from completion of compaction.

5.3 Field mixed specimens (plant mixed materials)

For field mixed materials sampled from a plant mixed stabilising process the procedure shall be as follows:

5.3.1 Prepare the material as detailed in Test Method Q138B to obtain nine specimens (Note 9.1) for testing.

5.3.2 Use three specimens for testing three day cured modulus and three day, soaked modulus. Perform the curing and testing as in Steps 5.1.4 to 5.1.7 with the specimens tested at 72 ± 1.0 hours from completion of compaction.

5.3.3 Use three specimens for testing seven day cured modulus and seven day, soaked modulus. Perform the curing and testing as in Steps 5.1.4 to 5.1.7 with the specimens tested at 168 ± 1.0 hours from completion of compaction.

5.3.4 Use three specimens for testing fourteen day cured modulus and fourteen day, soaked modulus. Perform the curing and testing as in Steps 5.1.4 to 5.1.7 with the specimens tested at 336 ± 1.0 hours from completion of compaction.

5.4 Core specimens

5.4.1 Obtain at least three core samples about 150 mm diameter from the pavement as detailed in Test Method Q070.

5.4.2 Prepare the core sample as detailed in Test Method Q070 Section 7 to obtain three specimens between 60.0 to 80.0 mm in height for testing for as received modulus and soaked modulus.

5.4.3 Perform the curing and testing as in Steps 5.1.2 to 5.1.3 and 5.1.6 to 5.1.7.

6 Testing of specimens

The specimens shall be measured and tested as follows:

6.1 Initial measurements and specimen setup

6.1.1 The specimen shall be cylindrical with smooth and uniform curved surfaces. The top and bottom faces shall be smooth and not depart from squareness to the axis by more than 3° (about 7.5 mm in 150 mm).

6.1.2 Mark two diameter lines at right angles to each other on one end of the specimen and a corresponding pair on the opposite end of the specimen.

6.1.3 Measure the two marked diameters of the specimen at each end of the specimen (d_i). Calculate the mean diameter of the specimen (D).

6.1.4 Measure the height of the specimen at each of the four marked locations where the diameter markings intersect the circumference (h_i). Calculate the mean height of the specimen (h_c).

6.1.5 Place the first specimen in the loading apparatus, ensuring that the diametral markings are vertical and horizontal.

- 6.1.6 Place the displacement measuring apparatus on the specimen along the horizontal diametral marking to measure the horizontal deformation of the curved surfaces. Ensure the displacement measuring devices sit centrally and diametrically opposite each other on the specimen.
- 6.1.7 Anchor the apparatus on the flat surfaces of the specimen with a clamping torque of approximately 250 mN.m applied to each anchoring bolt.
- 6.1.8 Place the top loading block onto the specimen ensuring it sits centrally and is in line with the vertical diametric line.
- 6.1.9 Place the whole apparatus under the loading head. Check the load actuator ram is adjusted close to its mid-stroke and the specimen is secure and sitting centrally between the loading blocks. Lower the load actuator ram onto the top loading block. The load actuator ram is generally adjusted to within 20% of its mid-stroke point as detailed in relevant manufacturer's instructions.
- 6.1.10 Adjust each displacement measuring device so that it is in the central position of its travel range and the lower the frame holder so there is no contact between the supporting frame for each displacement measuring device and the frame holder (Note 9.2).
- 6.1.11 Check each displacement measuring device is still in a central position of its travel range and adjust if necessary.

6.2 Standard test conditions – laboratory and field mixed specimens

- 6.2.1 Unless otherwise specified, use the following standard test conditions:
 - a) test temperature: 25°C ± 0.5°C
 - b) rise time (10% to 90%): 0.04 ± 0.005 seconds
 - c) pulse repetition period (10% to 10%): 3.0 ± 0.005 seconds, and
 - d) recovered horizontal strain: 50 ± 20 µε.

6.3 Standard test conditions – cored specimens

- 6.3.1 Unless otherwise specified, use the following standard test conditions:
 - a) test temperature: 25°C ± 0.5°C
 - b) rise time (10% to 90%): 0.04 ± 0.005 seconds
 - c) pulse repetition period (10% to 10%): 3.0 ± 0.005 seconds, and
 - d) recovered horizontal strain: 20 ± 5 µε.

6.4 Preconditioning and test setting determination

- 6.4.1 The test shall be performed within the range of the specified recovered horizontal strain. Calculate the peak load required to deform the specimen within that range as follows (Note 9.3):

$$P_e = \frac{ED\epsilon h_c}{(v+0.27)10^6}$$

where P_e = peak estimated load (N)

E = estimated resilient modulus of the specimen (MPa)

D	=	mean diameter of the specimen (mm)
ε	=	recovered horizontal strain ($\mu\varepsilon$), usually 50 ± 20
h_c	=	mean height of the specimen (mm)
ν	=	Poisson ratio (estimated as 0.4)

6.4.2 Ensure that the temperature of the specimen has reached equilibrium after attaching the displacement apparatus. A dummy specimen may be used to verify the specimen has reached an equilibrium temperature.

6.4.3 Apply a single pulse with the specified rise time to the estimated peak load calculated above, then remove the load. Measure the recovered horizontal deformation at the end of the pulse and calculate the recovered horizontal strain as follows:

$$\varepsilon = \frac{H}{D}$$

where ε	=	recovered horizontal strain (ε)
H	=	recovered horizontal deformation (mm)
D	=	mean diameter of the specimen (mm)

6.4.4 If the recovered horizontal strain is within the specified range, apply further preconditioning pulses at the same estimated peak load until five pulses of preconditioning have been completed.

6.4.5 If the recovered horizontal strain is not within the specified range, adjust the estimated peak load so that the recovered horizontal strain will fall within the specified range.

6.4.6 Repeat Step 6.4.3 until the specified range is obtained or until five preconditioning pulses have been completed. Record the peak load and the recovered horizontal strain for each pulse (Note 9.4).

6.4.7 If the specified range of recovered strain is not achieved after five pulses, the resilient modulus test may be performed using the value of peak load which had a corresponding value of recovered strain closest to the specified range.

6.5 Resilient modulus test

Resilient modulus shall be determined by testing three specimens. For each specimen, the procedure shall be as follows:

6.5.1 Apply five load pulses with the specified rise time to the peak load determined from Clause 7.4 at the specified pulse repetition period.

6.5.2 Measure and record the recovered horizontal deformation after each pulse (H).

7 Calculations

Calculations shall be as follows:

7.1 Calculate the initial modulus (M_I), cured modulus (M_C), soaked modulus (M_s) and as received modulus (M_{AR}) as follows (Note 9.5):

$$M = P \frac{(\nu + 0.27)}{H h_c}$$

where	M	= resilient modulus (initial, three day cured, three day soaked, seven day cured, seven day soaked, fourteen day cured, fourteen day soaked, as received) (MPa)
	P	= peak load (N)
	ν	= Poisson ratio (estimated as 0.4)
	H	= recovered horizontal deformation (mm)
	h_c	= mean height of the specimen (mm)

7.2 Calculate the retained modulus as follows (Note 9.5):

$$M_R = \frac{M_s}{M_c} 100$$

where	M_R	= retained modulus (three day, seven day, fourteen day) (%)
	M_s	= soaked modulus (MPa)
	M_c	= cured modulus (MPa)

7.2.1 Calculate the average initial modulus, three day cured modulus, three day soaked modulus, seven day cured modulus, seven day soaked modulus, fourteen day cured modulus, fourteen day soaked modulus, as received modulus and retained modulus as appropriate.

8 Reporting

The following shall be reported:

- 8.1 Description of specimens, that is cores, field mixed specimens (insitu mixed or plant mixed), laboratory mixed specimens (for insitu mixed).
- 8.2 Description of test conditions, that is, test temperature, rise time, pulse repetition period and recovered horizontal strain and any variations to the standard conditions.
- 8.3 If the preconditioning did not achieve a resilient strain within the specified range, for each preconditioning pulse:
 - 8.3.1 Recovered strain to the nearest 1 $\mu\epsilon$.
 - 8.3.2 Resilient modulus to the nearest 1 MPa.
- 8.4 Test temperature to the nearest 1°C.
- 8.5 Mean height of each specimen to the nearest 0.1 mm.
- 8.6 Mean diameter of each specimen to the nearest 0.1 mm.
- 8.7 For laboratory mixed specimens:
 - 8.7.1 For insitu mixed materials, resilient modulus for each specimen and an average of all specimens as follows:

- initial modulus, three day cured modulus and three day soaked modulus to the nearest 1 MPa for each specimen and 50 MPa for average
- three day retained modulus to the nearest 1% for each specimen and 2% for average.

8.8 For field mixed specimens:

8.8.1 For insitu mixed materials, resilient modulus for each specimen and an average of all specimens as follows:

- three day cured modulus and three day, soaked modulus to the nearest 1 MPa for each specimen and 50 MPa for average
- three day retained modulus to the nearest % for each specimen and 2% for average.

8.8.2 For plant mixed materials, resilient modulus for each specimen and an average of all specimens as follows:

- three day cured modulus, three day, soaked modulus, seven day cured modulus, seven day, soaked modulus, fourteen day cured modulus and fourteen day, soaked modulus to the nearest 1 MPa for each specimen and 50 MPa for average
- three day retained modulus, seven day retained modulus and fourteen day retained modulus to the nearest % for each specimen and 2% for average.

8.9 For core specimens:

8.9.1 Resilient modulus for each specimen and an average of all specimens as follows:

- as received modulus and soaked modulus to the nearest 1 MPa for each specimen and 50 MPa for average.

8.10 The number of this test method, that is Q139.

9 Notes on method

9.1 Additional specimens may be required to allow replacement of specimens damaged during the preconditioning and test setting determination.

9.2 Ensure the contact tips of the measuring device are secure and have a good sound contact with the surface of the specimen. Failure to do this may result in erratic strain readings.

9.3 This step is not required where the apparatus is fitted with a computer and software control capable of automatically applying conditioning pulses to calculate and adjust the peak load required. Usually only an estimated resilient modulus for the material is required for input into the software. Care should be taken to use an estimated modulus for the material to prevent damage to the specimen from overloading on the initial loading pulses.

9.4 Where the apparatus is fitted with a computer and software control capable of automatically applying conditioning pulses and to calculate and adjust the peak load to achieve recovered horizontal strain, Steps 6.4.3 to 6.4.6 will be performed automatically by the apparatus.

9.5 Recommended minimum values may be obtained from the Transport and Main Roads, *Pavement Rehabilitation Manual*.

Table 1 - Test equipment requirements

Apparatus	Requirement	Tolerance
Loading blocks (150 mm dia. specimen)		
Width (mm)	19.0	± 2.0
Radius of curvature of concave face (mm)	75.0	± 2.0

Test Method Q140A: Relative compaction of soils and crushed rock

1 Source

This method applies the principles of AS 1289.5.4.1: *Soil compaction and density tests - Dry density ratio, moisture variation and moisture ratio*. It differs from this standard by an allowance for the determination of laboratory reference density on uncompacted material, the provision for oversize contents of up to 35%.

2 Scope

This method sets out the procedure for the determination of the relative compaction of soil and crushed rock materials, including mixtures containing stabilising agent, having not more than 35% of oversize rock material retained on the 37.5 mm sieve.

Where oversize is present in the soil or crushed rock, adjust the laboratory reference density and OMC for this oversize component. Base the adjustment to the reference density upon the oversize content from the oversize within the laboratory sample(s) used to determine the reference density.

3 Definitions

For the purpose of this method, the following definitions shall apply:

- 3.1 Relative compaction (dry density ratio) is the ratio of compacted dry density to laboratory reference dry density expressed as a percentage.
- 3.2 Relative moisture content is the ratio of insitu moisture content to the laboratory optimum moisture content expressed as a percentage.
- 3.3 Allowable working time is the time within which compaction and trimming of the stabilised material is to be completed, measured from the commencement of incorporation (that is, mixing) of stabilising agent into the unstabilised material to completion of compaction and trimming.

4 Procedure

Laboratory reference density and compacted density shall be determined as follows:

4.1 Laboratory reference density

Assign or use previously assigned values of MDD, OMC and where appropriate, the density and percentage of oversize.

Where assigned values have either not been developed or are impractical, sample and test for laboratory reference density as detailed in Step 4.1.3.

4.1.1 New assigned values

Obtain samples of uncompacted material and if necessary, stabilising agents and assign values of MDD, OMC and the density and percentage of any oversize as detailed in Test Method Q144A.

4.1.2 Previously assigned values

Confirm and monitor the applicability of previously assigned values using the Assigned Values Check procedure detailed in Test Method Q144A.

4.1.3 One-for-one testing

- a) Select sampling and test locations within the lot under consideration using Random Stratified Sampling: Selection of Location – Available Area (unless otherwise specified) as detailed in Test Method Q050.
- b) Obtain samples as detailed in Test Method Q061 and test for laboratory reference density, percentage of oversize and oversize density as follows:
 - i. For pavement materials excluding stabilised materials:
 - obtain samples of compacted material following the field testing operations for the compacted density test (refer to Subsection 4.2)
 - determine the laboratory reference density for each sample as detailed in Test Method Q142A or Q142B as appropriate.
 - ii. Stabilised materials:
 - obtain samples of uncompacted material after spreading and the incorporation of all stabilising agents and water, but before the start of compaction. Use the sampling technique described Test method Q061 Section 6: Uncompacted layer of earthworks or pavement
 - determine the laboratory reference density for each sample as detailed in Test Method Q142A or Q142B as appropriate.
 - complete the process of obtaining the sample, preparation and compaction of the test portions within the allowable working time for the stabilising agent (Note 7.1)
 - moisture content samples must be returned to a laboratory and placed in drying ovens within the same work shift as the stabilisation works for the corresponding lot.

4.2 Compacted density

- 4.2.1 Select test locations within the lot under consideration using Random Stratified Sampling: Selection of Location – Available Area (unless otherwise specified) as detailed in Test Method Q050. Use the locations determined in Step 4.1.3 when performing one-for-one testing.
- 4.2.2 At each of the test locations, determine the insitu moisture content and/or compacted density as detailed in Test Method Q141A or Q141B as appropriate. For stabilised materials, work to determine the wet density must be completed to a stage where the wet density has been determined within 24 hours after the end of the work shift where stabilisation works were completed for the corresponding lot. Additionally, moisture content samples must be returned to a laboratory and placed in drying ovens within the same work shift as the wet density testing in being undertaken.

5 Calculations

Calculations shall be as follows:

- 5.1 Adjust the laboratory reference density for oversize material as follows (Note 7.2):

$$LRD_{da} = \frac{100}{\frac{100 - P_{od}}{r LRD_d} + \frac{P_{od}}{\rho_{od}}}$$

where LRD_{da} = adjusted laboratory reference dry density (t/m³)

- P_{od} = percentage of oversize (dry basis)
 r = interference factor (Table 1)
 LRD_d = laboratory reference dry density, either maximum dry density or assigned maximum dry density (t/m^3)
 ρ_{od} = density of oversize (dry basis) (t/m^3)

5.2 Adjust the laboratory optimum moisture content for oversize material as follows (Note 7.3):

$$OMC_a = OMC \frac{100 - P_{od}}{100}$$

- where OMC_a = adjusted laboratory optimum moisture content (%)
 OMC = optimum moisture content assigned or obtained in the laboratory reference test (%)
 P_{od} = percentage of oversize (dry basis)

5.3 Determine the relative compaction as follows:

$$RC_d = \frac{100\rho_d}{LRD_{da}}$$

- where RC_d = relative compaction (dry density ratio) (%)
 ρ_d = compacted dry density (t/m^3)
 LRD_{da} = adjusted laboratory reference dry density (t/m^3) (Note 7.2)

5.4 Determine the relative moisture content as follows:

$$RM_d = \frac{100w}{OMC_a}$$

- where RM_d = relative moisture content (%)
 w = insitu moisture content (%)
 OMC_a = adjusted laboratory optimum moisture content (%) (Note 7.3)

5.5 If required, where a number of tests have been performed on a lot, calculate the maximum characteristic relative compaction as detailed in Test Method Q020.

5.6 If required, where a number of tests have been performed on a lot, calculate the minimum characteristic relative compaction as detailed in Test Method Q020.

6 Reporting

The following shall be reported for each test location within the lot:

- 6.1 Relative compaction to the nearest 0.5%.
 6.2 Relative moisture content to the nearest 1%, if required.
 6.3 Adjusted laboratory reference dry density to the nearest 0.01 t/m^3 .

- 6.4 The maximum dry density to the nearest 0.01 t/m³ and whether the value was assigned.
- 6.5 The optimum moisture content to the nearest 0.5% and whether the value was assigned.
- 6.6 Density of oversize to the nearest 0.01 t/m³ and whether the value was assigned.
- 6.7 Percentage of oversize to the nearest 1% and whether the value was assigned.
- 6.8 The sieve on which the oversize material is retained (19.0 mm or 37.5 mm).
- 6.9 Date when the laboratory reference density was either assigned or determined.
- 6.10 Compacted dry density to the nearest 0.01 t/m³.
- 6.11 Insitu moisture content to the nearest 0.1%, if required.
- 6.12 The minimum characteristic relative compaction as detailed in Test Method Q020, if required.
- 6.13 The maximum characteristic relative compaction as detailed in Test Method Q020, if required.
- 6.14 The number of this test method, that is Q140A.

7 Notes on method

- 7.1 Working times will be specified in the relevant Technical Specification or Annexure to the Specification.
- 7.2 Where there is no oversize present in the material, $LRD_{da} = LRD_d$
- 7.3 Where there is no oversize present in the material, $OMC_a = OMC$.

Table 1 - Oversize content and interference factor (r)

Percentage oversize	Interference factor (r)
0-20	1.00
21-25	0.99
26-30	0.98
31-35	0.97

Test Method Q141A: Compacted density of soils and crushed rock - nuclear gauge

This test shall be performed in accordance with Test Method N01: *Compacted Density of Soils and Crushed Rock (Nuclear Gauge)* contained within the department's *Nuclear Gauge Testing Manual*.

Test Method Q141B: Compacted density of soils and crushed rock - sand replacement

1 Source

This method is based on AS 1289.5.3.1: *Soil compaction and density tests - Determination of the field density of a soil - Sand replacement method using a sand-cone pouring apparatus*. It differs from this standard in the coarseness of material at which the larger template diameter is used, the range of materials tested by the method, maximum test-hole depth and calibration cylinder requirements.

2 Scope

The method sets out the procedure for determining the compacted wet density and, when required, the compacted dry density of fine-grained, medium-grained and coarse-grained soils and crushed rock, including mixtures containing stabilising agent, by the sand replacement method using a sand-cone pouring apparatus.

The compacted dry density for the total material of the test site is determined from measured values of compacted wet density and in situ moisture content.

3 Apparatus

Where appropriate, the working tolerances of particular apparatus are contained in Table 1.

The following apparatus is required:

- 3.1 Sand-cone pouring apparatus: either a sand-cone or a wind-shielded sand-cone comprised of a conical funnel, tap and cone with the cone being either 150 mm or 200 mm in diameter.
- 3.2 Template, a circular or square flat rigid metal template with raised sides and a central hole, either 150 mm or 200 mm in diameter, surrounded by a border at least 50 mm wide with at least two holes for pins to secure the template.
- 3.3 Pins, two or more metal pins with a length and diameter that allows securing of the template to the surface under test.
- 3.4 Excavation equipment - hand tools such as scoop, spoon, brush, trowel, chisel and mallet. A lightweight electric hammer can be used in place of or in conjunction with a chisel and mallet.
- 3.5 Calibration cylinder, a metal cylinder with the same diameter as the central hole in the template. The depth of the calibration cylinder needs to align with the excavated depth of hole to within 50 mm. The minimum depth of an acceptable calibration cylinder is 40 mm.
- 3.6 Balance of suitable capacity, having a resolution of at least 1 g and with a limit of performance within the range of ± 5 g.
- 3.7 Flat plate, approximately 300 mm square.
- 3.8 Soil containers, sealable containers of appropriate capacity.
- 3.9 Sand containers, translucent sealable containers of appropriate capacity.
- 3.10 Rule, a 300 mm long rule will service all requirements.

4 Materials

The following materials are required:

- 4.1 Density sand, clean dry one-size sand with particles approximately uniform in size, for example, 90% passing a 1.18 mm test sieve and 90% retained on a 0.600 mm test sieve (Note 11.1).
- 4.2 Modelling plasticine or other suitable material (if required).

5 Test-hole and significant apparatus requirements

In order to determine the dimensions of the test-hole to be excavated in the lot under test and the appropriate sizes of the template, sand-cone pouring apparatus and calibration cylinder, it is necessary to consider the following:

- specification requirements and/or the depth of the layer
 - apparatus limitations, and
 - maximum particle size of the soil within the lot.
- 5.1 Determine the depth to be tested from the appropriate specification or testing methodology. Where the depth is not specified, test to the full depth of the layer up to a maximum test depth of 300 mm. Refer to Table 1.
 - 5.2 Determine the test-hole diameter and template size based on the particle size of the soil within the lot and the test-hole depth by referring to Table 1.
 - 5.3 Select a matched template and sand-cone pouring apparatus set. Having the same diameter as the test-hole diameter and template size determined in Step 5.2.
 - 5.4 Select a calibration cylinder having the same diameter as the template hole and a depth that is within 50 mm of the depth of the test-hole.

6 Calibration of apparatus

Calibration of the sand-cone pouring apparatus and template set as well as determination of the sand pouring density for the batch of density sand shall be performed as follows:

6.1 Density sand sampling

Sample the batch of density sand by taking at least three representative samples randomly throughout the batch or one sample per 500 kg, whichever yields the greater number of samples. Record the batch identification details.

6.2 Mass of sand in the cone and template

- 6.2.1 Obtain a subsample from one of the representative density sand samples sufficient to fill the central hole in the template, the inverted cone and tap of the sand-cone pouring apparatus plus a small quantity which will remain in the funnel after pouring.
- 6.2.2 Transfer the sand to a sand container and determine the mass of the sand and the container (m_1).
- 6.2.3 Place the template on the flat plate and position the sand-cone pouring apparatus and sand centrally over the hole in the template.
- 6.2.4 Open the tap on the sand-cone pouring apparatus and allow the sand to run. When no further movement of sand takes place, close the tap. Take care that the apparatus is not disturbed or

vibrated while the tap is open. There needs to be sand still remaining in the funnel after pouring. Remove the sand-cone pouring apparatus and return the surplus sand in the tap and funnel to the container.

- 6.2.5 Determine the mass of the residual sand and the container (m_2).
- 6.2.6 Repeat Steps 6.2.1 to 6.2.5 for each of the remaining representative samples of density sand using the same initial total mass of sand and container each time.
- 6.2.7 Calculate the mass of sand in the cone and template for each of the determinations as follows:

$$m_3 = m_1 - m_2$$

where m_3 = mass of sand in the cone and template (g)
 m_1 = initial total mass of sand and container (g)
 m_2 = mass of residual sand and container (g)

- 6.2.8 Calculate the average mass of sand in the cone and template (\bar{m}_3) to the nearest 1 g.

6.3 Sand pouring density

- 6.3.1 Obtain a subsample from one of the representative density sand samples which is sufficient to fill the calibrating cylinder, central hole in the template, the inverted cone and tap of the sand-cone pouring apparatus plus a small quantity which will remain in the funnel after pouring.
- 6.3.2 Transfer the sand to a sand container and determine the mass of the sand and the container (m_4).
- 6.3.3 Place the template over the calibration cylinder such that the two holes are concentric. Position the sand-cone pouring apparatus and sand centrally over the hole in the template.
- 6.3.4 Open the tap on the sand-cone pouring apparatus and allow the sand to run. When no further movement of sand takes place, close the tap. Take care that the apparatus is not disturbed or vibrated while the tap is open. There needs to be sand still remaining in the funnel after pouring (Note 11.2). Remove the sand-cone pouring apparatus and return the sand in the tap and funnel to the container.
- 6.3.5 Determine the mass of the residual sand and the container (m_5).
- 6.3.6 Repeat Steps 6.3.1 to 6.3.5 for each of the remaining representative samples of density sand using the same initial total mass of sand and container each time.
- 6.3.7 Calculate the pouring density of the sand for each of the determinations as follows:

$$\rho_s = \frac{(m_4 - m_5) - \bar{m}_3}{V}$$

where ρ_s = sand pouring density (t/m^3)
 m_4 = initial mass of sand and container (g)
 m_5 = mass of residual sand and container (g)
 \bar{m}_3 = average mass of sand in the cone and template (g)
 V = internal volume of calibration cylinder (cm^3)

- 6.3.8 If the maximum variation in sand pouring densities for the batch of sand does not exceed 0.020 t/m^3 , calculate the average sand pouring density ($\bar{\rho}_s$) and record to the nearest 0.001 t/m^3 .

7 Test site preparation

The test site shall be prepared as follows:

- 7.1 At the designated test location, use the template to define a test site which is flat and free from large depressions such as roller marks. For earthworks, it may be necessary to trim the surface flat.
- 7.2 Sweep all loose material from the test site and place the template on the prepared test site. If the surface is so irregular that the sand is likely to escape under the template, fill the irregularities under the tray with modelling plasticine or other suitable material to prevent sand escaping.
- 7.3 Mark the location of the template on the test site.

8 Testing

Testing at the prepared test site shall be performed as follows:

8.1 Surface correction

- 8.1.1 Fill a sand container with sufficient sand to fill the surface irregularities, the central hole in the template, cone and tap of the sand-cone pouring apparatus plus a quantity which will remain in the funnel after pouring.
- 8.1.2 Determine the mass of sand and the container (m_7).
- 8.1.3 Place the sand-cone pouring apparatus and sand centrally over the hole in the template.
- 8.1.4 Open the tap on the sand-cone pouring apparatus and allow the sand to run. When no further movement takes place, close the tap. Take care that the apparatus is not disturbed or vibrated while the tap is open. There needs to be sand still remaining in the funnel after pouring.
- 8.1.5 Remove the sand-cone pouring apparatus and return the sand in the tap and funnel to the container.
- 8.1.6 Determine the mass of the residual sand and the container (m_8).
- 8.1.7 Carefully remove the template from the test site and sweep all sand from the surface occupied by the template. Ensure the test surface is not disturbed during this process.
- 8.1.8 Place the template on the test surface ensuring that it is in the same position and orientation as that used for the surface correction. Pin the template to the surface of the test site ensuring that it is firmly held in place.

8.2 Hole excavation

- 8.2.1 Fill a container with sufficient sand to fill the excavated hole, the central hole in the template, the cone and tap of the sand-cone pouring apparatus plus a quantity which will remain in the funnel after pouring.
- 8.2.2 Determine the mass of sand and the container (m_9).
- 8.2.3 Excavate a cylindrical hole to the required depth using the procedure and observing the precautions detailed below:

- a) Excavate a hole, using the hole of the template as a pattern and working from the centre. The sides of the hole should be essentially vertical.
- b) Remove all loose soil from the sides and bottom of the hole with the appropriate tools and carefully deposit the excavated soil in a sealable container, keeping it closed when not in use.
- c) During the excavation process, protect the hole and soil deposited in the container from wind and rain in order to minimise moisture change.
- d) At the completion of the excavation, seal the container and ensure that it is protected to prevent moisture and soil loss during transport and storage.

8.2.4 Measure and record the depth of the hole.

8.2.5 Position the sand pouring cone and sand centrally over the hole in the template.

8.2.6 Open the tap on the sand-cone pouring apparatus and allow the sand to run. When no further movement of sand takes place, close the tap. Take care that the apparatus is not disturbed or vibrated while the tap is open. There needs to be sand still remaining in the funnel after pouring (Note 11.2). Remove the apparatus and return the sand in the tap and funnel to the container.

8.2.7 Determine the mass of residual sand and the container (m_{10}).

8.2.8 Determine the mass (m_{11}) of the excavated soil.

8.3 Foreign material

8.3.1 If foreign material, including up to two occasional large stones which are not representative of the bulk of the material being tested, are found to be included in the soil excavated from the hole, they are to be removed and an adjustment for their mass and volume made to the calculated wet density as follows:

- a) remove each large stone, brush any fine material from the stone surface and return the fines to the container holding the excavated material
- b) determine the mass of foreign material (m_{12})
- c) determine the volume of the foreign material (V_s) directly by displacement of water in a siphon can as detailed in Test Method Q143.

8.4 Moisture content

8.4.1 Where the compacted dry density or relative moisture content is required, determine the insitu moisture content (w) in accordance with Test Method AS 1289.2.1.1 or one of the subsidiary Test Methods AS 1289.2.1.4 or AS 1289.2.1.6 for which a relationship with Test Method AS 1289.2.1.1 has been established and used in accordance with Test Method AS 1289.2.3.1.

9 Calculations

9.1 Calculations shall be as follows:

9.2 Calculate the insitu wet density as follows:

$$\rho_w = \frac{\bar{\rho}_s m_{11}}{(m_9 - m_{10}) - (m_7 - m_8)}$$

- where ρ_w = insitu wet density (t/m³)
 $\bar{\rho}_s$ = average sand pouring density (t/m³)
 m_{11} = mass of excavated soil (g)
 m_9 = mass of the sand and container before excavation (g)
 m_{10} = mass of the sand and container after excavating (g)
 m_7 = mass of the sand and container before surface correction (g)
 m_8 = mass of the sand and container after surface correction (g)

9.3 Where there is any foreign material such as occasional large stones, calculate the insitu wet density as follows:

$$\rho_w = \frac{m_{11} - m_{12}}{\left(\frac{(m_9 - m_{10}) - (m_7 - m_8)}{\bar{\rho}_s} \right) - V_s}$$

- where ρ_w = insitu wet density (t/m³)
 m_{11} = mass of excavated soil (g)
 m_{12} = mass of foreign material (g)
 m_9 = mass of the sand and container before excavation (g)
 m_{10} = mass of the sand and container after excavating (g)
 m_7 = mass of the sand and container before surface correction (g)
 m_8 = mass of the sand and container after surface correction (g)
 $\bar{\rho}_s$ = average sand pouring density (t/m³)
 V_s = volume of foreign material (cm³)

9.4 Calculate the compacted dry density, as required, as follows:

$$\rho_d = \frac{100\rho_w}{100+w}$$

- where ρ_d = compacted dry density (t/m³)
 ρ_w = insitu wet density (t/m³)
 w = insitu moisture content (%)

10 Reporting

The following shall be reported:

10.1 Compacted wet density and/or compacted dry density, as appropriate, to the nearest 0.01 t/m³.

- 10.2 Insitu moisture content, if required, to the nearest 0.1%, the test method used and any moisture correlation report number.
- 10.3 Depth of hole (mm).
- 10.4 Layer type and depth (if known).

11 Notes on method

- 11.1 Alternative Sand – Other sand or grits with particles approximately uniform in size, for example, 2.36 mm to 1.18 mm or 0.600 mm to 0.300 mm sizes, may be used. The particle size of the sand used in a field density test should exceed the size of voids within the compacted material which is mostly related to the size of the largest particles compacted. The sand should be shielded at all times from any moistening, for example, rain, as the resultant bulking would invalidate volume calculations.
- 11.2 When using a wind-shielded sand-cone, it may be necessary to add more sand from the container to the funnel during pouring as the storage capacity of some wind-shielded sand-cones is limited.

Table 1 – Test-hole and template hole diameter

Particle size	Test-hole and template hole diameter (mm)	Test-hole depth (mm)
Fine, medium and coarse-grained without retained 37.5 mm stone	150	50-175*
Fine, medium and coarse-grained without retained 37.5 mm stone	200	50-300#
Fine, medium and coarse-grained with retained 37.5 mm stone	200	50-300#

* Maximum depth for 150 mm template

Maximum depth for 200 mm template

Test Method Q142A: Dry density–moisture relationship of soils and crushed rock - standard

1 Source

This method is based on AS 1289.5.1.1: *Soil compaction and density tests - Determination of the dry density/moisture content relation of a soil using standard compactive effort*. It differs from this standard in the coarseness of material permitted and provision for the addition of stabilising agents.

2 Scope

This method sets out a procedure for the determination of the relationship between the moisture content and the dry density of a soil or a crushed rock material, including mixtures containing stabilising agents, when compacted using standard compactive effort (596 kJ/m³). Perform compaction over a range of moisture contents to establish the maximum mass of dry material per unit volume achievable for this compactive effort and its corresponding moisture content.

The procedure is applicable to that portion of a material that passes the 37.5 mm sieve. Material that all passes the 19.0 mm sieve is compacted in a 105 mm diameter mould. Material that has more than 20% rock retained on the 19.0 mm sieve is compacted in a 152 mm diameter mould. Corrections for oversize are not directly included in this method but are detailed in Test Method Q140A when required for compaction control.

3 Apparatus

Where appropriate, the working tolerances of particular apparatus are contained in Table 1.

The following apparatus is required:

3.1 Metal moulds, of a size dependent on the maximum size of material being tested, as follows:

3.1.1 For compaction of material passing a 19.0 mm sieve:

Mould A: A cylindrical metal mould having an internal diameter of 105 mm and effective height of 115.5 mm, fitted with a detachable baseplate and a removable collar assembly about 60 mm high both of which can be firmly attached to the mould.

3.1.2 For compaction of material which has rock material retained on the 19.0 mm sieve:

Mould B: A cylindrical metal mould having an internal diameter of 152 mm and an effective height of 132.5 mm, fitted with a detachable baseplate and a removable collar assembly about 60 mm high both of which can be firmly attached to the mould.

3.2 Rammer, a metal rammer having a 50 mm diameter face, a drop mass of 2700 g and a drop height of 300 mm. Alternatively use a mechanical compactor, provided it meets the essential requirements of drop height, mass and energy input. A mechanical compactor may be used provided the essential dimensions are adhered to and the rammer has a free vertical fall of the correct height with blows being uniformly distributed and in keeping with any prescribed cycle of blows. The design of the compactor allows attachment of the mould to a level and rigid support base. The difference between maximum dry density determinations using manual or mechanical compaction is less than 2%.

3.3 Level rigid foundation on which to compact the specimen, for example a sound concrete floor about 100 mm or more in thickness or a concrete block of at least 100 kg mass.

- 3.4 Balances:
 - 3.4.1 Balance of suitable capacity, with a resolution of at least 1 g and with a limit of performance within the range of ± 5 g.
 - 3.4.2 Balance of suitable capacity to weigh stabilising agents, with a resolution of at least 0.1 g and with a limit of performance within the range of ± 0.5 g (Note 9.1).
- 3.5 Sieves, 37.5 mm, 19.0 mm and 9.5 mm complying with ISO 3310.
- 3.6 Strong spatula or a suitable knife.
- 3.7 Steel straightedge, about 250 mm long, 25 mm wide and 3 mm thick, preferably with one bevelled edge.
- 3.8 Miscellaneous mixing apparatus, such as a tray, trowel or scoop and water spray suitable for mixing increments of water into the material.
- 3.9 Material height gauge. A flat steel bar, about 250 mm long, 25 mm wide and 1-3 mm thick is satisfactory (Note 9.2).
- 3.10 Sealable containers, suitable for curing the material samples.
- 3.11 Sample extractor, such as a jack, lever frame or other device for extruding compacted specimens from the mould.

4 Materials

The following material is required:

- 4.1 Mould oil, a light oil such as Caltex Mould Oil 20 (Note 9.3).

5 Procedure

The procedure shall be as follows:

- 5.1 Prepare the bulk sample as detailed in Section 5 of Test Method Q101 to produce a representative subsample of appropriate size. For fresh mixtures of in situ stabilised materials, limit both moisture loss and time loss during preparation.
- 5.2 Further prepare the material by screening the subsample on a 19.0 mm sieve as detailed in Test Method Q101, Steps 6.2.1 to 6.2.3. Ensure that any aggregations are broken up to pass a 9.5 mm sieve and keep any retained 37.5 mm (oversize) rock material.
- 5.3 Determine the approximate percentage retained on the 19.0 mm sieve and whether any material is retained on the 37.5 mm sieve to allow the selection of the appropriate mould size as follows:
 - 5.3.1 Where oversize is retained on the 19.0 mm sieve, determine its mass (m_{ow}) and the mass of the passing 19.0 mm (undersize) material (m_{uw}). Calculate the wet mass of material as follows:

$$m_w = m_{ow} + m_{uw}$$

where m_w = wet mass of material (g)

m_{ow} = wet mass of > 19.0 mm oversize material (g)

m_{uw} = wet mass of < 19.0 mm underside material (g)

5.3.2 Where oversize is retained on the 19.0 mm sieve, calculate the percentage oversize on a wet mass basis as follows:

$$P_{ow} = \frac{100m_{ow}}{m_w}$$

where P_{ow} = percentage by wet mass of > 19.0 mm oversize material

m_{ow} = wet mass of > 19.0 mm oversize material (g)

m_w = wet mass of material (g)

5.3.3 If the calculated percentage oversize (P_{ow}) is greater than 20%, screen the material retained on the 19.0 mm sieve on the 37.5 mm sieve. Where oversize is retained on the 37.5 mm sieve, determine its mass of (m_{ow}). Calculate the percentage oversize on a wet basis as follows:

$$P_{ow} = \frac{100m_{ow}}{m_w}$$

where P_{ow} = percentage by wet mass of > 37.5 mm oversize material

m_{ow} = wet mass of > 37.5 mm oversize material (g)

m_w = wet mass of material (g)

5.4 If required, retain the material retained on the 19.0 mm or 37.5 mm sieve for determining the density and percentage of oversize.

5.5 Select the size fraction and mould size to be used in the compaction test using the criteria in Table 2. Record the mould used (A or B). When necessary recombine the material passing 37.5 mm portion with the material passing the 19.0 mm portion and thoroughly remix.

5.6 Prepare four or more representative portions of the sieved material as detailed in Test Method Q101, Steps 6.2.4 to 6.2.6 as follows:

5.6.1 Each test portion is to be of sufficient quantity to produce a compacted specimen in excess of the volume of the mould (Notes 9.4 and 9.5).

5.6.2 Where oversize is present and a correction to the laboratory reference dry density, or optimum moisture content is required as detailed in Test Method Q140A. Prepare an additional portion of the sieved material and determine its moisture content of underside material (W_u) in accordance with Test Method AS 1289.2.1.1 or one of the subsidiary Test Methods AS 1289.2.1.4 or AS 1289.2.1.6 for which a relationship with Test Method AS 1289.2.1.1 has been established and used in accordance with Test Method AS 1289.2.3.1.

5.6.3 Where a correction to the laboratory reference dry density or optimum moisture content is required as detailed in Test Method Q140A. Determine the density and percentage of any

oversize as detailed in Test Method Q143, using the wet mass of oversize (m_{ow}) and wet mass of material (m_w) determined at Step 5.3.2 (Mould A) or Step 5.3.3 (Mould B) and the moisture content of undersize material (W_u) of the undersize from Step 5.6.2.

- 5.7 Take the portions of material prepared in Step 5.6, mix them with the stabilising agent if appropriate, and prepare each portion for compaction as follows:
- 5.7.1 Material only
- Thoroughly mix each test portion in turn with sufficient water so that the range of their moisture contents should straddle optimum moisture content. The moisture increments between portions shall be essentially equal and ensure that the moisture steps are not excessive for the material type (Notes 9.6 and 9.7).
 - After mixing, place each test portion in a sealed container and allowed to cure for an appropriate time for the material (refer to Table 3) (Notes 9.8 and 9.9).
 - Record the times of commencement and completion of the curing.
 - Record the method for determining the plasticity level (refer to Table 3), that is, test method, source records or visual/tactile assessment.
- 5.7.2 Material with stabilising agent incorporated in the laboratory
- Incorporate the stabilising agent with the material and precondition the mixture as detailed in Test Method Q135A. When selecting compaction moisture contents, ensure that the range of moisture contents will straddle the optimum moisture. Use essentially equal increments of moisture between test portions and ensure that the moisture steps are not excessive for the material type (Notes 9.6 and 9.7).
 - Record the times of commencement and completion of the curing.
- 5.7.3 Material with stabilising agent incorporated in situ or plant-mixed.
- Thoroughly mix each test portion in turn with sufficient water so that the range of their moisture contents should straddle optimum moisture content. The moisture increments between portions shall be essentially equal and ensure that the moisture steps are not excessive for the material type (Notes 9.6 and 9.7).
 - Place the mixed test portions in separate sealable containers.
 - Record the times of commencement and completion of the curing.
- 5.8 Clean and assemble the mould and baseplate, lightly oiling the internal surfaces. Inspect and clean the rammer or mechanical compactor and ensure that it is free in the guide.
- 5.9 Determine the mass (m_1) of the mould and baseplate, attach the collar and place the assembly on the rigid support base, checking to ensure that the mould is firmly seated and will not rock due to distortion of the mould baseplate or deterioration of the support base.
- 5.10 Ensure the compaction of each portion containing stabilising agent is completed within the following limits:
- 65 minutes, where the stabilising agent incorporated in the laboratory, timed from the first addition of mixing water to the host material and stabilising agent.
 - Allowable working time, where the stabilising agent incorporated in situ or plant-mixed, timed from incorporation (that is, mixing) of stabilising agent into the unstabilised material.

- 5.11 Compact the test portions as follows:
- 5.11.1 Material passing the 19.0 mm sieve only (Mould A):
- a) Take one test portion, mix it thoroughly and compact it into the assembled mould in three layers so that the compacted height of the material in the mould is from 38 mm to 43 mm in the first layer, from 77 mm to 82 mm in the second layer and from 116 mm to 120 mm in the third layer. Discard specimens that do not meet one or more of these height tolerances.
 - b) Compact each layer by 25 uniformly distributed blows of the rammer falling freely from a height of 300 mm (Note 9.10). Use only sufficient material, which is representative of the portion, to meet the layer heights above (Note 9.11).
- 5.11.2 Material passing the 37.5 mm sieve (Mould B):
- a) Take one test portion, mix it thoroughly and compact it into the assembled mould in three layers so that the compacted height of the material in the mould is from 44 mm to 49 mm in the first layer, from 89 mm to 94 mm in the second layer and from 133 mm to 138 mm in the third layer. Discard specimens that do not meet one or more of these height tolerances.
 - b) Compact each layer by 60 uniformly distributed blows of the rammer falling freely from a height of 300 mm (Note 9.10). Use only sufficient material, which is representative of the portion, to meet the layer heights above (Note 9.11).
- 5.12 Free the material from around the inside of the collar and then carefully remove the collar.
- 5.13 Trim the surface of the specimen while the mould is still attached to the baseplate. This operation depends upon the characteristics of the material as follows:
- 5.13.1 For an essentially fine-grained material, trim the compacted material level with the top of the mould by means of the straightedge. Use smaller sized material to patch any hollows developed in the surface from removal of coarse material during trimming.
- 5.13.2 For a material containing stones, trim the compacted material in the mould ensuring that portions of stones standing above the top of the mould are compensated by hollows of about the equivalent volume below the top of the mould.
- 5.14 Determine the mass (M_2) of the mould, baseplate and compacted material.
- 5.15 Immediately remove the compacted specimen from the mould and either use the whole specimen or obtain a representative sample from its full height. Determine the moisture content (W) of this sample in accordance with Test Method AS 1289.2.1.1 or one of the subsidiary Test Methods AS 1289.2.1.4 or AS 1289.2.1.6 for which a relationship with Test Method AS 1289.2.1.1 has been established and used in accordance with Test Method AS 1289.2.3.1. Where specimens are compacted in the field, moisture content samples must be returned to a laboratory and placed in drying ovens within the same work shift as the stabilisation works for the corresponding lot.
- 5.16 Discard the used material. Do not reuse material from a previously compacted specimen.
- 5.17 Repeat Steps 5.8 to 5.15 for the other test portions of prepared material to obtain a minimum of four points, at least two of which are drier and one wetter than optimum moisture content, to satisfactorily define the dry density / moisture content relationship.

- 5.18 If the optimum moisture content has not been straddled or is imprecisely defined, use additional test portions prepared and cured at appropriate moisture contents in the same manner as in Steps 5.6 to 5.7, and compacted as in Steps 5.8 to 5.15 (Note 9.12).

6 Calculations

Calculations shall be as follows:

- 6.1 For each specimen, wet density of material (ρ_w) as follows:

$$\rho_w = \frac{m_2 - m_1}{V}$$

- where ρ_w = wet density of material (t/m³)
 m_2 = mass of mould, baseplate and compacted material (g)
 m_1 = mass of mould and baseplate (g)
 V = mould volume (cm³)

- 6.2 For each specimen, dry density of material (ρ_d) as follows:

$$\rho_d = \frac{100\rho_w}{100+w}$$

- where ρ_d = dry density of material (t/m³)
 ρ_w = wet density of material (t/m³)
 w = moisture content of the specimen (%)

- 6.3 Moisture content points for the chosen air voids line, from the soil particle density (Note 9.13) by using dry density values corresponding to the lowest and highest values determined in Step 6.2 as follows:

$$w = \frac{100 - V_a}{\rho_d} - \frac{100}{\rho_{st}}$$

- where w = moisture content, expressed as a percentage of the mass of dry material
 V_a = volume of chosen air voids, expressed as a percentage of the volume of undried material
 ρ_d = dry density of material (t/m³)
 ρ_{st} = soil particle density (t/m³)

- 6.4 Plot the dry densities obtained for the compacted specimens against their corresponding moisture contents. Draw a smooth curve of best fit through the resulting points with the wet leg of the curve tending parallel to the air voids line.
- 6.5 Plot the air voids line on the graph constructed at Step 6.4.

7 Reporting

The following shall be reported:

- 7.1 The plot of dry density against moisture content together with the plot of the chosen air voids line.
- 7.2 The dry density corresponding to the maximum point on the moisture content/dry density curve, as the maximum dry density to the nearest 0.01 t/m³.
- 7.3 The percentage moisture content corresponding to the maximum dry density on the moisture content/dry density curve, as the optimum moisture content to the nearest 0.5%.
- 7.4 The method used to determine the moisture content of the compacted material.
- 7.5 When measured, the density and percentage of any oversize as determined by Test Method Q143 and the sieve on which the material is retained (19.0 mm or 37.5 mm).
- 7.6 For stabilised materials, source, type, ATIC Registration number and quantity of the stabilising agent(s) (Note 9.14).
- 7.7 The compactive effort (standard) used.
- 7.8 Sample number, if assigned values of maximum dry density and optimum moisture content are to be assigned as detailed in Test Method Q144A.
- 7.9 For material without stabilising agent:
 - 7.9.1 Duration of curing to the nearest hour.
 - 7.9.2 Method for determining the plasticity level (refer to Table 3), that is, test method, source records or visual/tactile assessment.
 - 7.9.3 The number of this test method, that is Q142A.

8 Precision

The precision of the test is shown in Table 4. These values, in 95% of cases, should not be exceeded by the difference between any two results, expressed as a percentage of the average value. The values shown are based on test results from a wide variety of materials but, in some cases such as heavy clays, these values may be exceeded. Precision may be enhanced by employing fractionation as the preferred option for test portion preparation.

9 Notes on method

- 9.1 The balance referred to is suitable for most applications when adding stabilising agent to material. For small masses of material, a balance with a resolution which displays to one significant figure more than the mass being weighed and a limit of performance commensurate with the resolution will be required.
- 9.2 A material height gauge, which allows monitoring of the height of compacted material relative to the top of either a Mould A or a Mould B, can be made from a steel bar and marked as follows:
 - 9.2.1 Mould A: Commencing at one end of the bar, measure and mark distances of:
 - a) 5.5 mm for the upper range of the third layer
 - b) 33.5 mm and 38.5 mm for the acceptable range of the second layer, and
 - c) 72.5 mm and 77.5 mm for the acceptable range of the first layer.

- 9.2.2 Mould B: Using another face and commencing at one end of the bar, measure and mark distances of:
- a) 5.5 mm for the upper range of the third layer
 - b) 38.5 mm and 43.5 mm for the acceptable range of the second layer, and
 - c) 83.5 mm and 88.5 mm for the acceptable range of the first layer.
- 9.2.3 Mark each face with the appropriate mould size (A or B).
- 9.3 Before handling oils, the operator should consult the relevant SDS.
- 9.4 For material compacted in Mould A, a mass of 2.5 kg will be adequate for most materials. A gravel may however, require up to 3 kg, while it may be possible to use as low as 2 kg for a heavy clay. For material compacted in Mould B, about 2.5 times the mass of the material required for Mould A will be required.
- 9.5 When adding a stabilising agent in the laboratory, it may be necessary to dry the soil sample before preparation. The material needs to be sufficiently dry to allow uniform mixing of the stabilising agent into the material in order to minimise variability within the mixture.
- 9.6 Suitable intervals for moisture increments range from 1% for a gravel to 2 to 3% for a clay.
- 9.7 It is important to mix water thoroughly into the material and the test portion cured for sufficient time to allow the even distribution of water throughout the material.
- 9.8 Where the liquid limit has not been determined as detailed in Test Methods Q104A or Q104D, source records use an estimate based on a visual/tactile assessment for estimating the curing time for the CBR test portions.
- 9.9 When using the maximum dry density and optimum moisture content for compaction control testing, the curing time may be limited to two hours. Provided the condition of the prepared sample is within $\pm 4\%$ of the optimum moisture content of the material.
- 9.10 During compaction, material can build up on the surface of the rammer. This is particularly evident at moisture contents near to and above optimum moisture content. In order to prevent the cushioning effect caused by this build-up, inspect the rammer face and clean if necessary during the compaction process.
- 9.11 It is necessary to control the total amount of mixture compacted since, if the amount of material struck off after removing the collar is too great, the test results will be inaccurate as the energy input will not be within the required tolerances of Table 1. Some large particles may protrude a little more than 5 mm above the surface for the passing 37.5 mm material. Make suitable allowances in the trimming process for these particles but the average height of the compacted specimen before trimming should not exceed 5 mm above the mould.
- 9.12 If, with increasing moisture content, the wet mass of compacted material markedly increases and then starts to decrease, the optimum moisture content probably has been straddled adequately. For materials with low plasticity and high permeability, points significantly wetter than optimum moisture content may not be reliable due to loss of water during compaction.
- 9.13 Obtain the value of the material's soil particle density for calculating the air voids lines using the method described in AS 1289.3.5.1 or assume based on previous tests. A rough check on the material soil particle density is to select the dry density and moisture content of the wettest data point, nominate a percent air voids (2% often gives a satisfactory result) and calculate a soil particle density as follows:

$$\rho_{st} = \frac{100\rho_d}{(100-V_a) - \rho_d w}$$

where	ρ_{st}	=	soil particle density (t/m ³)
	ρ_d	=	dry density of material (t/m ³)
	V_a	=	nominated air voids (%)
	w	=	moisture content expressed as a percentage of the mass of dry material

The material's soil particle density so derived is the assumed value.

- 9.14 This can be requested from the supplier of the cementitious materials. Further details are available from the Australian Technical Infrastructure Committee (ATIC), *Cementitious Materials Registration Scheme (CMRS), Registered Products List*.

Table 1 - Dimensions and tolerances for suitable moulds and rammer

Apparatus	Dimension	Tolerance
Moulds		
Mould A: 105 diameter		
Internal diameter (mm)	105.0	± 0.5 *
Effective height (mm)	115.5	± 0.5 *
Nominal volume (cm ³)	1000	± 15
Mould B: 152 mm diameter		
Internal diameter (mm)	152.0	± 1.0 *
Effective height (mm)	132.5	± 0.5 *
Nominal volume (cm ³)	2400	± 35
Rammer		
Diameter; round foot (mm)	50	± 0.4
Area of rammer (mm ²)	1964	± 31
Drop (mm)	300	± 2.0 ‡
Mass (kg)	2.7	± 0.01 ‡
Energy delivered per blow (J)	7.94	± 0.08
Number of layers	3	
Number of blows/layer: Mould A	25	
Mould B	60	
Energy input (kJ/m ³)	596	± 14

* Either but not both of the tolerances may be exceeded provided the specified tolerance on volume is not exceeded.

‡ Either but not both of the tolerances may be exceeded provided the appropriate tolerance on energy delivered per blow is not exceeded.

Table 2 - Size fraction and mould size

Percentage retained		Test mould	Portion to be tested
37.5 mm sieve	19.0 mm sieve		
> 35	-		Not tested by this method
≤ 35	> 20	B	All material passing 37.5 mm sieve
0	≤ 20	B	All material passing 37.5 mm sieve
-	≤ 20	A	All material passing 19.0 mm sieve

Table 3 – Minimum curing time

Plasticity	Condition of prepared sample	
	Sample moisture content within OMC ± 2%	Sample moisture content outside OMC ± 2%
Sands and granular material*	2 h	2 h
Low (LL ≤ 35%)	24 h	48 h
Medium (35 < LL ≤ 50%)	48 h	96 h (4 days)
High (LL > 50%)	96 h (4 days)	168 h (7 days)

* These can include naturally occurring sands and gravels, crushed rocks and manufactured materials with a fines (< 0.075 mm) content typically less than 12% and a liquid limit < 35%.

Table 4 - Acceptable range of two results expressed as a percentage of mean value

Precision measure	Maximum density	Optimum moisture content
Repeatability	2	10
Reproducibility	4	20

Test Method Q142B: Dry density – moisture relationship of soils and crushed rock – modified

1 Source

This method is based on AS 1289.5.2.1: *Soil compaction and density tests – Determination of the dry density / moisture content relation of a soil using modified compactive effort*. It differs from this standard in the coarseness of material permitted and provision for the addition of stabilising agents.

2 Scope

This method sets out a procedure for the determination of the relationship between the moisture content and the dry density of a soil or a crushed rock material, including mixtures containing stabilising agents, when compacted using modified compactive effort (2703 kJ/m³). Perform compaction over a range of moisture contents to establish the maximum mass of dry material per unit volume achievable for this compactive effort and its corresponding moisture content.

The procedure is applicable to that portion of a material that passes the 37.5 mm sieve. Material that all passes the 19.0 mm sieve is compacted in a 105 mm diameter mould. Material that has more than 20% rock retained on the 19.0 mm sieve is compacted in a 152 mm diameter mould. Corrections for oversize are not directly included in this method but are detailed in Test Method Q140A when required for compaction control.

3 Apparatus

Where appropriate, the working tolerances of particular apparatus are contained in Table 1.

The following apparatus is required:

3.1 Metal moulds, of a size dependent on the maximum size of material being tested, as follows:

3.1.1 For compaction of material passing a 19.0 mm sieve:

Mould A: A cylindrical metal mould having an internal diameter of 105 mm and effective height of 115.5 mm, fitted with a detachable baseplate and a removable collar assembly about 60 mm high both of which can be firmly attached to the mould.

3.1.2 For compaction of material which has rock material retained on the 19.0 mm sieve:

Mould B: A cylindrical metal mould having an internal diameter of 152 mm and an effective height of 132.5 mm, fitted with a detachable baseplate and a removable collar assembly about 60 mm high both of which can be firmly attached to the mould.

3.2 Rammer, a metal rammer having a 50 mm diameter face, a drop mass of 4900 g and a drop height of 450 mm. Alternatively use a mechanical compactor, provided it meets the essential requirements of drop height, mass and energy input. A mechanical compactor may be used provided the essential dimensions are adhered to and the rammer has a free vertical fall of the correct height with blows being uniformly distributed and in keeping with any prescribed cycle of blows. The design of the compactor allows attachment of the mould to a level and rigid support base. The difference between maximum dry density determinations using manual or mechanical compaction is less than 2%.

3.3 Level rigid foundation on which to compact the specimen, for example a sound concrete floor about 100 mm or more in thickness or a concrete block of at least 100 kg mass.

- 3.4 Balances:
 - 3.4.1 Balance of suitable capacity, with a resolution of at least 1 g and with a limit of performance within the range of ± 5 g.
 - 3.4.2 Balance of suitable capacity to weigh stabilising agents, with a resolution of at least 0.1 g and with a limit of performance within the range of ± 0.5 g (Note 9.1).
- 3.5 Sieves, 37.5 mm, 19.0 mm and 9.5 mm conforming with ISO 3310.
- 3.6 Strong spatula or a suitable knife.
- 3.7 Steel straightedge, about 250 mm long, 25 mm wide and 3 mm thick, preferably with one bevelled edge.
- 3.8 Miscellaneous mixing apparatus, such as a tray, trowel or scoop and water spray suitable for mixing increments of water into the material.
- 3.9 Material height gauge. A flat steel bar, about 250 mm long, 25 mm wide and 1-3 mm thick is satisfactory (Note 9.2).
- 3.10 Sealable containers, suitable for curing the material samples.
- 3.11 Sample extractor, such as a jack, lever frame or other device for extruding compacted specimens from the mould.

4 Materials

The following material is required:

- 4.1 Mould oil, a light oil such as Caltex Mould Oil 20 (Note 9.3).

5 Procedure

The procedure shall be as follows:

- 5.1 Prepare the bulk sample as detailed in Section 5 of Test Method Q101 to produce a representative subsample of appropriate size. For fresh mixtures of insitu stabilised materials, limit both moisture loss and time loss during preparation.
- 5.2 Further prepare the material by screening the subsample on a 19.0 mm sieve as detailed in Test Method Q101, Steps 6.2.1 to 6.2.3. Ensure that any aggregations are broken up to pass a 9.5 mm sieve and keep any retained 37.5 mm (oversize) rock material.
- 5.3 Determine the approximate percentage retained on the 19.0 mm sieve and whether any material is retained on the 37.5 mm sieve to allow the selection of the appropriate mould size as follows:
 - 5.3.1 Where oversize is retained on the 19.0 mm sieve, determine its mass (m_{ow}) and the mass of the passing 19.0 mm (undersize) material (m_{uw}). Calculate the wet mass of material as follows:

$$m_w = m_{ow} + m_{uw}$$

where m_w = wet mass of material (g)

m_{ow} = wet mass of > 19.0 mm oversize material (g)

m_{uw} = wet mass of < 19.0 mm underside material (g)

5.3.2 Where oversize is retained on the 19.0 mm sieve, calculate the percentage oversize on a wet mass basis as follows:

$$P_{ow} = \frac{100m_{ow}}{m_w}$$

where P_{ow} = percentage by wet mass of > 19.0 mm oversize material

m_{ow} = wet mass of > 19.0 mm oversize material (g)

m_w = wet mass of material (g)

5.3.3 If the calculated percentage oversize (P_{ow}) is greater than 20%, screen the material retained on the 19.0 mm sieve on the 37.5 mm sieve. Where oversize is retained on the 37.5 mm sieve, determine its mass of (m_{ow}). Calculate the percentage oversize on a wet basis as follows:

$$P_{ow} = \frac{100m_{ow}}{m_w}$$

where P_{ow} = percentage by wet mass of > 37.5 mm oversize material

m_{ow} = wet mass of > 37.5 mm oversize material (g)

m_w = wet mass of material (g)

5.4 If required, retain the material retained on the 19.0 mm or 37.5 mm sieve for determining the density and percentage of oversize.

5.5 Select the size fraction and mould size to be used in the compaction test using the criteria in Table 2. Record the mould used (A or B). When necessary recombine the material passing 37.5 mm portion with the material passing the 19.0 mm portion and thoroughly remix.

5.6 Prepare four or more representative portions of the sieved material as detailed in Test Method Q101, Steps 6.2.4 to 6.2.6 as follows:

5.6.1 Each test portion is to be of sufficient quantity to produce a compacted specimen in excess of the volume of the mould (Notes 9.4 and 9.5).

5.6.2 Where oversize is present and a correction to the laboratory reference dry density, or optimum moisture content is required as detailed in Test Method Q140A. Prepare an additional portion of the sieved material and determine its moisture content of underside material (W_u) in accordance with Test Method AS 1289.2.1.1 or one of the subsidiary Test Methods AS 1289.2.1.4 or AS 1289.2.1.6 for which a relationship with Test Method AS 1289.2.1.1 has been established and used in accordance with Test Method AS 1289.2.3.1.

- 5.6.3 Where a correction to the laboratory reference dry density or optimum moisture content is required as detailed in Test Method Q140A. Determine the density and percentage of any oversize as detailed in Test Method Q143, using the wet mass of oversize (m_{ow}) and wet mass of material (m_w) determined at Step 5.3.2 (Mould A) or Step 5.3.3 (Mould B) and the moisture content of undersize material (W_u) of the undersize from Step 5.6.2.
- 5.7 Take the portions of material prepared in Step 5.6, mix them with the stabilising agent if appropriate, and prepare each portion for compaction as follows:
- 5.7.1 Material only
- Thoroughly mix each test portion in turn with sufficient water so that the range of their moisture contents should straddle optimum moisture content. The moisture increments between portions shall be essentially equal and ensure that the moisture steps are not excessive for the material type (Notes 9.6 and 9.7).
 - Place the mixed test portions in separate sealable containers and allow the portions to cure for the specified period of time for the material (refer to Table 3) (Notes 9.8 and 9.9).
 - Record the times of commencement and completion of the curing.
 - Record the method for determining the plasticity level (refer to Table 3), that is, test method, source records or visual / tactile assessment.
- 5.7.2 Material with stabilising agent incorporated in the laboratory
- Incorporate the stabilising agent with the material and precondition the mixture as detailed in Test Method Q135A. When selecting compaction moisture contents, ensure that the range of moisture contents will straddle the optimum moisture. Use essentially equal increments of moisture between test portions and ensure that the moisture steps are not excessive for the material type (Notes 9.6 and 9.7).
 - Record the times of commencement and completion of the curing.
- 5.7.3 Material with stabilising agent incorporated insitu or plant-mixed
- Thoroughly mix each test portion in turn with sufficient water so that the range of their moisture contents should straddle optimum moisture content. The moisture increments between portions shall be essentially equal and ensure that the moisture steps are not excessive for the material type (Notes 9.6 and 9.7).
 - Place the mixed test portions in separate sealable containers.
 - Record the times of commencement and completion of the curing.
- 5.8 Clean and assemble the mould and baseplate, lightly oiling the internal surfaces. Inspect and clean the rammer or mechanical compactor and ensure that it is free in the guide.
- 5.9 Determine the mass (m_1) of the mould and baseplate, attach the collar and place the assembly on the rigid support base, checking to ensure that the mould is firmly seated and will not rock due to distortion of the mould baseplate or deterioration of the support base.
- 5.10 Ensure the compaction of each portion containing stabilising agent is completed within the following limits:
- 65 minutes, where the stabilising agent incorporated in the laboratory, timed from the first addition of mixing water to the host material and stabilising agent.

- b) Allowable working time, where the stabilising agent incorporated in situ or plant-mixed, timed from incorporation (that is, mixing) of stabilising agent into the unstabilised material.
- 5.11 Compact the test portions as follows:
- 5.11.1 Material passing the 19.0 mm sieve only (Mould A):
- a) Take one test portion, mix it thoroughly and compact it into the assembled mould in five layers so that the compacted height of the material in the mould is from 23 mm to 28 mm in the first layer, from 47 mm to 52 mm in the second layer, from 70 mm to 75 mm in the third layer, 93 mm to 98 mm in the fourth layer and from 116 mm to 120 mm in the fifth layer. Discard specimens that do not meet one or more of these height tolerances.
 - b) Compact each layer by 25 uniformly distributed blows of the rammer falling freely from a height of 450 mm (Note 9.10). Use only sufficient material, which is representative of the portion, to meet the layer heights above (Note 9.11).
- 5.11.2 Material passing the 37.5 mm sieve (Mould B):
- a) Take one test portion, mix it thoroughly and compact it into the assembled mould in three layers so that the compacted height of the material in the mould is from 44 mm to 49 mm in the first layer, from 89 mm to 94 mm in the second layer and from 133 mm to 138 mm in the third layer. Discard specimens that do not meet one or more of these height tolerances.
 - b) Compact each layer by 100 uniformly distributed blows of the rammer falling freely from a height of 450 mm (Note 9.10). Use only sufficient material, which is representative of the portion, to meet the layer heights above (Note 9.11).
- 5.12 Free the material from around the inside of the collar and then carefully remove the collar.
- 5.13 Trim the surface of the specimen while the mould is still attached to the baseplate. This operation depends upon the characteristics of the material as follows:
- 5.13.1 For an essentially fine-grained material, trim the compacted material level with the top of the mould by means of the straightedge. Use smaller sized material to patch any hollows developed in the surface from removal of coarse material during trimming.
- 5.13.2 For a material containing stones, trim the compacted material in the mould ensuring that portions of stones standing above the top of the mould are compensated by hollows of about the equivalent volume below the top of the mould.
- 5.14 Determine the mass (m_2) of the mould, baseplate and compacted material.
- 5.15 Immediately remove the compacted specimen from the mould and either use the whole specimen or obtain a representative sample from its full height. Determine the moisture content (W) of this sample in accordance with Test Method AS 1289.2.1.1 or one of the subsidiary Test Methods AS 1289.2.1.4 or AS 1289.2.1.6 for which a relationship with Test Method AS 1289.2.1.1 has been established and used in accordance with Test Method AS 1289.2.3.1. Where specimens are compacted in the field, moisture content samples must be returned to a laboratory and placed in drying ovens within the same work shift as the stabilisation works for the corresponding lot.
- 5.16 Discard the used material. Do not reuse material from a previously compacted specimen.
- 5.17 Repeat Steps 5.8 to 5.15 for the other test portions of prepared material to obtain a minimum of four points, at least two of which are drier and one wetter than optimum moisture content, to satisfactorily define the dry density / moisture content relationship.

- 5.18 If the optimum moisture content has not been straddled or is imprecisely defined, use additional test portions prepared and cured at appropriate moisture contents in the same manner as in Steps 5.6 to 5.7, and compacted as in Steps 5.8 to 5.15 (Note 9.12).

6 Calculations

Calculations shall be as follows:

- 6.1 For each specimen, wet density of material (ρ_w) as follows:

$$\rho_w = \frac{m_2 - m_1}{V}$$

- where ρ_w = wet density of material (t/m³)
 m_2 = mass of mould, baseplate and compacted material (g)
 m_1 = mass of mould and baseplate (g)
 V = mould volume (cm³)

- 6.2 For each specimen, density of dry material (ρ_d) as follows:

$$\rho_d = \frac{100\rho_w}{100+w}$$

- where ρ_d = dry density of material (t/m³)
 ρ_w = wet density of material (t/m³)
 w = moisture content of the specimen (%)

- 6.3 Moisture content points for the chosen air voids line, from the soil particle density (Note 9.13) by using dry density values corresponding to the lowest and highest values determined in Step 6.2 as follows:

$$w = \frac{100 - V_a}{\rho_d} - \frac{100}{\rho_{st}}$$

- where w = moisture content, expressed as a percentage of the mass of the dry material (%)
 V_a = volume of chosen air voids, expressed as a percentage of the volume of the un-dried material
 ρ_d = dry density of material (t/m³)
 ρ_{st} = soil particle density (t/m³)

- 6.4 Plot the dry densities obtained for the compacted specimens against their corresponding moisture contents. Draw a smooth curve of best fit through the resulting points with the wet leg of the curve tending parallel to the air voids line.
- 6.5 Plot the air voids line on the graph constructed at Step 6.4.

7 Reporting

The following shall be reported:

- 7.1 The plot of dry density against moisture content together with the plot of the chosen air voids line.
- 7.2 The dry density corresponding to the maximum point on the moisture content/dry density curve as the maximum dry density to the nearest 0.01 t/m³.
- 7.3 The percentage moisture content corresponding to the maximum dry density on the moisture content/dry density curve as the optimum moisture content to the nearest 0.5%.
- 7.4 The method used to determine the moisture content of the compacted material.
- 7.5 When measured, the density and percentage of any oversize as determined by Test Method Q143 and the sieve on which the material is retained (19.0 mm or 37.5 mm).
- 7.6 For stabilised materials, source, type, ATIC Registration number and quantity of the stabilising agent(s) (Note 9.14).
- 7.7 The compactive effort (modified) used.
- 7.8 Sample number, if assigned values of maximum dry density and optimum moisture content are to be assigned as detailed in Test Method Q144A.
- 7.9 For material without stabilising agent:
 - 7.9.1 Duration of curing to the nearest hour.
 - 7.9.2 Method for determining the plasticity level (refer to Table 3), that is, test method, source records or visual/tactile assessment.
- 7.10 The number of this test method, that is Q142B.

8 Precision

The precision of the test is shown in Table 4. These values, in 95% of cases, should not be exceeded by the difference between any two results, expressed as a percentage of the average value. The values shown are based on test results from a wide variety of materials but, in some cases such as heavy clays, these values may be exceeded. Precision may be enhanced by employing fractionation as the preferred option for test portion preparation.

9 Notes on method

- 9.1 The balance referred to is suitable for most applications when adding stabilising agent to material. For small masses of material a balance with a resolution which displays to one significant figure more than the mass being weighed and a limit of performance commensurate with the resolution will be required.
- 9.2 A material height gauge, which allows monitoring of the height of compacted material relative to the top of either a Mould A or a Mould B, can be made from a steel bar and marked as follows:
 - 9.2.1 Mould A: Commencing at one end of the bar, measure and mark distances of:
 - a) 5.5 mm for the upper range of the fifth layer
 - b) 17.5 mm and 22.5 mm for the acceptable range of the fourth layer
 - c) 40.5 mm and 45.5 mm for the acceptable range of the third layer

- d) 63.5 mm and 68.5 mm for the acceptable range of the second layer, and
 - e) 87.5 mm and 92.5 mm for the acceptable range of the first layer.
- 9.2.2 Mould B: Using another face and commencing at one end of the bar, measure and mark distances of:
- a) 5.5 mm for the upper range of the third layer
 - b) 38.5 mm and 43.5 mm for the acceptable range of the second layer, and
 - c) 83.5 mm and 88.5 mm for the acceptable range of the first layer.
- 9.2.3 Mark each face with the appropriate mould size (A or B).
- 9.3 Before handling oils, the operator should consult the relevant SDS.
- 9.4 For material compacted in Mould A, a mass of 2.5 kg will be adequate for most materials. A gravel may however, require up to 3 kg, while it may be possible to use as low as 2 kg for a heavy clay. For material compacted in Mould B, about 2.5 times the mass of the material required for Mould A will be required.
- 9.5 When adding a stabilising agent in the laboratory, it may be necessary to dry the soil sample before preparation. The material needs to be sufficiently dry to allow uniform mixing of the stabilising agent into the material in order to minimise variability within the mixture.
- 9.6 Suitable intervals for moisture increments range from 1% for a gravel to 2 to 3% for a clay.
- 9.7 It is important to mix water thoroughly into the material and the test portion cured for sufficient time to allow the even distribution of water throughout the material.
- 9.8 Where the liquid limit has not been determined as detailed in Test Methods Q104A or Q104D, source records use an estimate based on a visual/tactile assessment for estimating the curing time for the CBR test portions.
- 9.9 When using the maximum dry density and optimum moisture content for compaction control testing, the curing time may be limited to two hours. Provided the condition of the prepared sample is within $\pm 4\%$ of the optimum moisture content of the material.
- 9.10 During compaction, material can build up on the surface of the rammer. This is particularly evident at moisture contents near to and above optimum moisture content. In order to prevent the cushioning effect caused by this build-up, inspect the rammer face and clean if necessary during the compaction process.
- 9.11 It is necessary to control the total amount of mixture compacted since, if the amount of material struck off after removing the collar is too great, the test results will be inaccurate as the energy input will not be within the required tolerances of Table 1. Some large particles may protrude a little more than 5 mm above the surface for the passing 37.5 mm material. Make suitable allowances in the trimming process for these particles but the average height of the compacted specimen before trimming should not exceed 5 mm above the mould.
- 9.12 If, with increasing moisture content, the wet mass of compacted material markedly increases and then starts to decrease, the optimum moisture content probably has been straddled adequately. For materials with low plasticity and high permeability, points significantly wetter than optimum moisture content may not be reliable due to loss of water during compaction.

- 9.13 Obtain the value of the material's soil particle density for calculating the air voids lines using the method described in AS 1289.3.5.1 or assume based on previous tests. A rough check on the material soil particle density is to select the dry density and moisture content of the wettest data point, nominate a percent air voids (2% often gives a satisfactory result) and calculate a soil particle density as follows:

$$\rho_{st} = \frac{100\rho_d}{(100-V_a) - \rho_d W}$$

- where ρ_{st} = soil particle density (t/m³)
 ρ_d = dry density of material (t/m³)
 V_a = nominated air voids (%)
 W = moisture content expressed as a percentage of the mass of dry material

The material's soil particle density so derived is the assumed value.

- 9.14 This can be requested from the supplier of the cementitious materials. Further details are available from the Australian Technical Infrastructure Committee (ATIC), *Cementitious Materials Registration Scheme (CMRS), Registered Products List*.

Table 1 – Dimensions and tolerances for suitable moulds and rammer

Apparatus	Dimension	Tolerance
Moulds		
Mould A: 105 diameter		
Internal diameter (mm)	105.0	± 0.5 *
Effective height (mm)	115.5	± 0.5 *
Nominal volume (cm ³)	1000	± 15
Mould B: 152 mm diameter		
Internal diameter (mm)	152.0	± 1.0 *
Effective height (mm)	132.5	± 0.5 *
Nominal volume (cm ³)	2400	± 35
Rammer		
Diameter; round foot (mm)	50	± 0.4
Area of rammer (mm ²)	1964	± 31
Drop (mm)	450	± 2.0 ‡
Mass (kg)	4.9	± 0.01 ‡
Energy delivered per blow (J)	21.62	± 0.08
Number of blows/layer: Mould A	5	
Mould B	3	

Apparatus	Dimension	Tolerance
Number of blows/layer: Mould A	25	
Mould B	100	
Energy input (kJ/m ³)	2703	± 60

* Either but not both of the tolerances may be exceeded provided the specified tolerance on volume is not exceeded.

‡ Either but not both of the tolerances may be exceeded provided the appropriate tolerance on energy delivered per blow is not exceeded

Table 2 – Size fraction and mould size

Percentage retained		Test mould	Portion to be tested
37.5 mm sieve	19.0 mm sieve		
> 35	-		Not tested by this method
≤ 35	> 20	B	All material passing 37.5 mm sieve
0	≤ 20	B	All material passing 37.5 mm sieve
-	≤ 20	A	All material passing 19.0 mm sieve

Table 3 – Minimum curing time

Plasticity	Condition of prepared sample	
	Sample moisture content within OMC ± 2%	Sample moisture content outside OMC ± 2%
Sands and granular material*	2 h	2 h
Low (LL ≤ 35%)	24 h	48 h
Medium (35 < LL ≤ 50%)	48 h	96 h (4 days)
High (LL > 50%)	96 h (4 days)	168 h (7 days)

* These can include naturally occurring sands and gravels, crushed rocks and manufactured materials with a fines (< 0.075 mm) content typically less than 12% and a liquid limit < 35%.

Table 4 - Acceptable range of two results expressed as a percentage of mean value

Precision measure	Maximum density	Optimum moisture content
Repeatability	2	10
Reproducibility	4	20

Test Method Q143: Treatment of oversize material

1 Source

This method applies the principles of Section 4(c) of AS 1289.5.4.1: *Soil compaction and density tests – Compaction control test - Dry density ratio, moisture variation and moisture ratio*. It differs from this standard in the apparatus and techniques used for determining the oversize volume.

2 Scope

This method sets out the procedure for the determination of the density and percentage of oversize for a material on either a dry or wet basis. It assumes that the masses of the oversize and undersize material have been determined by other test methods.

The method provides for the volume of oversize to be measured either by using a siphon can or directly by below balance weighing.

3 Apparatus

The following apparatus is required:

The apparatus required for this test depends on the technique used to determine the volume of oversize.

3.1 Siphon can

- 3.1.1 Siphon can of suitable capacity.
- 3.1.2 Water container, having a volume in excess of the oversize material under test.
- 3.1.3 Balance of suitable capacity, having a resolution of at least 1 g and with a limit of performance within the range of ± 5 g.

3.2 Below balance weighing

- 3.2.1 Balance of suitable capacity equipped for below balance weighing, having a resolution of at least 1 g and with a limit of performance within the range of ± 5 g.
- 3.2.2 Balance bench, equipped with a hole for below balance weighing.
- 3.2.3 Wire basket of suitable capacity to contain the oversize and a thin wire to suspend the basket.
- 3.2.4 Container equipped with an overflow and of suitable capacity to accommodate the suspended basket.
- 3.3 Drying oven of suitable capacity, having a temperature of 105 - 110°C and complying with AS 1289.0.

4 Procedure

The procedure shall be as follows:

- 4.1 Determine the volume of oversize using either the siphon can technique or using below balance weighing technique, using wet oversize material.

4.2 Siphon can

- 4.2.1 Determine the mass of the water container (m_1).
- 4.2.2 Place the siphon can on a stable level surface and fill the can with water above the level of the overflow and allow the excess water to run to waste.

- 4.2.3 When water has ceased flowing (dripping), stopper the overflow and place the wet oversize material in the can, avoiding any water loss.
- 4.2.4 Remove the stopper from the overflow and collect the excess water in the container.
- 4.2.5 When the water has ceased flowing (dripping), weigh the container and water (m_2).

4.3 Below balance weighing

- 4.3.1 Place the container directly below the hole in the balance bench and fill it until water escapes from the overflow and allow the excess water to run to waste.
- 4.3.2 When water has ceased flowing (dripping), suspend the basket from the balance using the thin wire so that the basket is completely immersed in water.
- 4.3.3 When the water has ceased flowing (dripping), record the mass of the basket immersed in water (m_3).
- 4.3.4 Transfer the wet oversize to the basket and agitate the basket to remove any entrapped air from the oversize.
- 4.3.5 Add additional water if necessary until water escapes from the overflow and allow the excess water to run to waste.
- 4.3.6 When the water has ceased flowing (dripping), record the mass of the oversize and basket (m_4).
- 4.4 If the dry mass of the oversize is not known, oven dry the oversize to a constant mass (m_{od}).

5 Calculations

Calculations shall be as follows:

- 5.1 The volume of oversize as follows:

For the siphon can technique:

$$V_o = m_2 - m_1$$

- where V_o = volume of oversize (cm³)
- m_2 = mass of container and water (g)
- m_1 = mass of container (g)

For the below balance weighing technique:

$$V_o = m_{ow} - (m_4 - m_3)$$

- where V_o = volume of oversize (cm³)
- m_{ow} = wet mass of oversize material (g), obtained from Q142A or Q142B
- m_4 = mass of fully immersed basket and oversize (g)
- m_3 = mass of fully immersed basket (g)

5.2 Determine the density of oversize as follows:

$$\rho_{od} = \frac{m_{od}}{V_o}$$

where ρ_{od} = density of oversize (dry basis) (t/m³)
 m_{od} = dry mass of oversize (g)
 V_o = volume of oversize (cm³)

5.3 Determine the percentage of oversize as follows:

$$P_{od} = \frac{100m_{od}}{m_{od} + m_{ud}}$$

where P_{od} = percentage of oversize (dry basis)
 m_{od} = dry mass of oversize (g)
 m_{ud} = dry mass of undersize (g) (Note 7.1), obtained from Q142A or Q142B

6 Reporting

The following shall be reported:

- 6.1 The density of oversize to the nearest 0.01 t/m³.
- 6.2 The percentage oversize to the nearest 1%.

7 Notes on method

- 7.1 Where the undersize is not dry, use the wet mass of material (m_w), wet mass of oversize (m_{ow}) and moisture content of undersize material (w_u) obtained from Test Method Q142A or Q142B to calculate the dry mass of undersize (m_{ud}) as follows:

$$m_{ud} = \frac{100(m_w - m_{ow})}{100 + w_u}$$

where m_{ud} = dry mass of undersize material (g)
 m_w = wet mass of material (g)
 m_{ow} = wet mass of oversize material (g)
 w_u = moisture content of undersize material (%)

Test Method Q144A: Assignment of maximum dry density and optimum moisture content for soils and crushed rock

1 Source

This method is based on AS 1289.5.4.2: *Soil compaction and density tests – Compaction control test - Assignment of maximum dry density and optimum moisture content values.*

2 Scope

This method sets out the procedure for assigning values of maximum dry density, optimum moisture content and the density and percentage of oversize.

The method is usually applicable to essentially uniform materials and is usually confined to pavement materials produced under controlled conditions, such as unbound materials from quarries or plant-mixed stabilised materials. It may be applicable to in situ stabilised materials where the insitu material is essentially uniform or where additional imported material is the majority of the material to be stabilised.

3 Procedure

The procedure shall be as follows:

3.1 For quarry materials only:

3.1.1 Obtain six samples of uncompacted material, as detailed in Test Method Q060, from not less than three days production or from three stockpiled lots. Number each sample and any subsequent sample in chronological order with a sample number at the time of sampling.

3.2 For plant-mixed stabilised materials other than foamed bitumen:

3.2.1 Obtain six samples of uncompacted material, as detailed in Test Method Q060, from not less than three days production or from three stockpiled lots. Obtain samples of additives to be used in production. Number each sample and any subsequent sample in chronological order with a sample number at the time of sampling.

3.3 For plant-mixed foamed bitumen stabilised materials:

3.3.1 Obtain six samples of processed material, as detailed in Test Method Q060. Number each sample and any subsequent sample in chronological order with a sample number at the time of sampling.

3.4 For insitu stabilised materials:

3.4.1 Obtain six samples of uncompacted material after spreading and the incorporation of all stabilising agent, but before the start of compaction, as detailed in Section 6 of Test Method Q061. Number each sample and any subsequent sample in chronological order with a sample number at the time of sampling.

3.5 Test each sample separately and determine the following:

3.5.1 Maximum dry density and optimum moisture content as detailed in Test Method Q142A or Q142B as appropriate.

3.5.2 Density and percentage oversize as detailed in Test Method Q143.

4 Calculations

Calculations shall be as follows:

- 4.1 From each set of six test results, calculate the mean values for the MDD, OMC and, where appropriate, the density and percentage of oversize as detailed below.

- 4.2 Calculate the mean MDD as follows:

$$\overline{\text{MDD}} = \frac{\sum \text{MDD}}{6}$$

where $\overline{\text{MDD}}$ = mean MDD (t/m³)

MDD = individual MDD values (t/m³)

- 4.3 Calculate the mean OMC as follows:

$$\overline{\text{OMC}} = \frac{\sum \text{OMC}}{6}$$

where $\overline{\text{OMC}}$ = mean OMC (%)

OMC = individual OMC values (%)

- 4.4 Where required, calculate the mean density of oversize as follows:

$$\overline{\rho_{\text{od}}} = \frac{\sum \rho_{\text{od}}}{n}$$

where $\overline{\rho_{\text{od}}}$ = mean density of oversize (dry basis) (t/m³)

ρ_{od} = individual density of oversize (dry basis) (t/m³)

n = number of results where oversize is retained

- 4.5 Where required, calculate the mean percentage of oversize as follows:

$$\overline{P_{\text{od}}} = \frac{\sum P_{\text{od}}}{6}$$

where $\overline{P_{\text{od}}}$ = mean percentage of oversize (dry basis)

P_{od} = individual percentage of oversize (dry basis)

- 4.6 Compare the MDD and OMC values for each of the six samples to the calculated mean for that property as follows:

- 4.6.1 If no results obtained for a property from the six samples differ from the mean by more than the limits shown in Table 1 for that property. Designate the mean value for that property as calculated in Step 4.1 as the assigned MDD or assigned OMC, as appropriate (Note 7.1).

- 4.6.2 If any single result obtained for a property from the six samples differs from the calculated mean for that property by more than the limits shown in Table 1, the determined mean values shall not be assigned for either property for the set of samples. Either obtain and test six further samples as detailed in Section 3 or undertake one-for-one testing as detailed in Test Method Q140A.

- 4.7 Where values of MDD and OMC are assigned as detailed in Step 4.2.1, designate any mean values of density and percentage oversize calculated in Step 4.1 as assigned oversize density and assigned percentage oversize (Note 7.1).

5 Assigned values check

The assigned values check shall be performed as follows:

- 5.1 Monitor the assigned values by sampling and testing as detailed in Section 3, in accordance with the following frequencies:
- 5.1.1 Quarry materials and plant-mixed stabilised materials are to be checked by obtaining at least one sample at the following frequency:
- a) after the supply of every 10,000 tonnes of material, such that the check is in the lot that contains the last of the 10,000 tonnes
 - b) if the assigned values have not been used for 2 months or more, or
 - c) if the assigned values have not been used on the project being tested.
- 5.1.2 Insitu stabilised materials are to be checked by obtaining at least one sample from every lot.
- 5.2 Add the new data to the previous data while removing an equal number of existing and consecutive values commencing at the lowest sample number.
- 5.3 Calculate new mean values for each property and review the maximum dry density and optimum moisture content data as detailed within Section 4.
- 5.4 If the criteria in Table 1 are not infringed, report new assigned values for MDD, OMC and, if appropriate, the density and percentage of oversize (Note 7.1).
- 5.5 Should the criteria of Table 1 now be infringed:
- 5.5.1 For quarry materials only:
- a) either re-determine the assigned values by obtaining and testing six further samples as detailed in Section 3 or undertake one-for-one testing as detailed in Test Method Q140A.
- 5.5.2 For plant-mixed stabilised materials other than foamed bitumen:
- a) continue using the assigned maximum dry density, optimum moisture and, if appropriate, the density and percentage of oversize as determined in Section 4 for the remainder of the lot
 - b) for subsequent lots either re-determine the assigned values by obtaining and testing six further samples as detailed in Section 3 from the next lot or undertake one-for-one testing as detailed in Test Method Q140A.
- 5.5.3 For plant-mixed foamed bitumen stabilised materials:
- a) continue using the assigned maximum dry density, optimum moisture and, if appropriate, the density and percentage of oversize as determined in Section 4 for the remainder of the lot
 - b) for subsequent lots either re-determine the assigned values by obtaining and testing six further samples as detailed in Section 3 from the next lot or undertake one-for-one testing as detailed in Test Method Q140A.
- 5.5.4 For insitu stabilised materials:

- a) continue using the assigned maximum dry density, optimum moisture and, if appropriate, the density and percentage of oversize as determined in Section 4 for the remainder of the lot
- b) for subsequent lots either re-determine the assigned values by obtaining and testing six further samples as detailed in Section 3 from the next lot or undertake one-for-one testing as detailed in Test Method Q140A.

6 Reporting

The following shall be reported:

- 6.1 The assigned value of maximum dry density to the nearest 0.01 t/m³.
- 6.2 The assigned value of optimum moisture content to the nearest 0.5%.
- 6.3 Where required, the assigned value of oversize density to the nearest 0.01 t/m³.
- 6.4 Where required, the assigned value of percentage oversize to the nearest 1% and the sieve on which the material is retained (19.0 mm or 37.5 mm).
- 6.5 The compactive effort (standard or modified) used.
- 6.6 The date at which the values were assigned and the sample numbers corresponding to the data sets used.
- 6.7 For stabilised materials, source, type and quantity of the stabilising agent(s).
- 6.8 The number of this test method, that is Q144A.

7 Notes on method

- 7.1 Control charts of the progressively assigned values may be plotted to assess whether there is drift in the values being used, and if so, new values may need to be assigned.

Table 1 – Limits for assigning MDD and OMC

Property	Unit	Range	Limits
MDD	t/m ³	All values	± 0.05
OMC	%	2.0 to 10.0	± 1.0
		10.1 to 15.0	± 1.5
		> 15.0	± 2.0

Test Method Q145A: Laboratory compaction to nominated levels of dry density and moisture content

1 Source

This method was developed in-house using techniques evolved through internal departmental research investigations.

2 Scope

This method describes the procedure for compacting specimens to a nominated dry density and nominated moisture content when specimens are required by a reference test method for further testing. The nominated levels of dry density and/or moisture content often relate to some percentage of the MDD and/or OMC or DoS respectively.

The procedure relies on the reference method to provide essential procedural information such as apparatus and compaction details.

3 Apparatus

The following apparatus is required:

- 3.1 Refer to the apparatus section of the reference method for details of mould and baseplate, rammer or mechanical compactor, material height gauge and collar and/or spacer.
- 3.2 Balance of suitable capacity, having a resolution of at least 1 g and with a limit of performance within the range of ± 5 g.
- 3.3 Levelling plate, having a height of at least 20 mm and a diameter of 151 mm.
- 3.4 Rubber mallet.
- 3.5 Level and rigid foundation upon which to compact the specimen, for example, a 100 mm thick sound concrete floor or a concrete block of at least 100 kg mass.
- 3.6 Straightedge, made of steel and having the approximate dimensions of length 250 mm, width 25 mm and thickness 3 mm, preferably with a bevelled edge.
- 3.7 Mixing apparatus, such as a tray, trowel or scoop and water sprayer.
- 3.8 Tool for scarifying each compacted layer, such as a trowel or spatula.

4 Materials

The following material is required:

- 4.1 Mould oil, a light mould oil such as Caltex Mould Oil 20 (Note 10.1).

5 Calculation of target compaction values

Calculation of target compaction values shall be as follows:

- 5.1 Calculate target compacted dry density if specified as a percentage of MDD as follows:

$$\rho_t = \text{MDD} \frac{\text{RC}_n}{100}$$

where ρ_t = target compacted dry density (t/m^3)

MDD = maximum dry density (t/m^3)

RC_n = nominated relative compaction (%)

- 5.2 Calculate the target compaction moisture content, if specified, as a percentage of OMC as follows:

$$w_2 = OMC \frac{RM_n}{100}$$

where w_2 = target compaction moisture content (%)

OMC = optimum moisture content (%)

RM_n = nominated relative moisture content as a percentage of OMC (%)

- 5.3 Calculate the target compaction moisture if specified, as a nominated DoS as follows:

$$w_2 = S \left[\frac{\rho_w}{\rho_t} - \frac{1}{\rho_{st}} \right]$$

where w_2 = target compaction moisture content (%)

S = nominated degree of saturation (%)

ρ_w = water density (t/m³) (taken as 1.000 t/m³)

ρ_t = target compacted dry density (t/m³)

ρ_{st} = soil particle density (t/m³), obtained from AS 1289.3.5.1

6 Calculation of mass of material per layer

Calculation of mass of material per layer shall be as follows:

- 6.1 Calculate the required mass of mixed and cured/conditioned wet material per layer as follows:

$$M_1 = \frac{V \rho_t (100 + w_t)}{100 N}$$

where M_1 = mass of wet material per layer (g)

V = mould volume (cm³)

ρ_t = target compacted dry density (t/m³)

w_t = target compaction moisture content (%)

N = number of layers.

7 Procedure

The procedure shall be as follows:

- 7.1 Clean and assemble the mould and baseplate, lightly oiling the internal surfaces. Inspect and clean the rammer or mechanical compactor and ensure that it is free in the guide.
- 7.2 Determine the mass (m_1) of the mould and baseplate, attach the collar and place the assembly on a rigid foundation.

- 7.3 At the end of the required curing/conditioning period, spread the test portion on the mixing tray and thoroughly remix. Take a subsample and determine the achieved compaction moisture content (w_a) as detailed in Test Method AS 1289.2.1.1.
- 7.4 Weigh out the required mass of wet material for a layer and evenly distribute the material within the mould (Note 10.2).
- 7.5 Compact the material to the required height using only rammer blows effected from the complete drop of the rammer. Distribute the blows uniformly over the layer surface. As the required layer height is approached, it may be necessary to use partial blows. Scarify each compacted layer to promote bonding and interlock between layers.
- 7.6 Repeat Steps 7.4 to 7.5 for each subsequent layer with the final layer being compacted until its height is approximately 1 - 2 mm greater than the required height.
- 7.7 Level the final layer by lightly scarifying the surface if necessary, and redistributing the loose material.
- 7.8 Place a suitable levelling plate on the surface and use the rammer or a rubber mallet to further compact the layer until the required height is reached.
- 7.9 Remove the levelling plate together with any collar and/or spacer.
- 7.10 Determine the mass (m_2) of the mould, baseplate and compacted material.

8 Calculations

Calculations shall be as follows:

- 8.1 Calculate the achieved compacted dry density as follows:

$$\rho_a = \frac{100(m_2 - m_1)}{V(100 + w_a)}$$

- where
- ρ_a = achieved compacted dry density (t/m³)
 - m_2 = mass of mould, baseplate and compacted material (g)
 - m_1 = mass of mould and baseplate (g)
 - V = volume of mould (cm³)
 - w_a = achieved compaction moisture content (%)

- 8.2 When the target compacted dry density is specified as a percentage of MDD, calculate the achieved relative compaction as follows:

$$RC_a = \frac{\rho_a 100}{MDD}$$

- where
- RC_a = achieved relative compaction (%)
 - ρ_a = achieved compacted dry density (t/m³)
 - MDD = maximum dry density (t/m³)

- 8.3 When the target compaction moisture content is specified as a percentage of OMC, calculate the achieved percentage of OMC as follows:

$$P_m = \frac{w_a 100}{\text{OMC}}$$

- where P_m = achieved percentage of OMC (%)
 w_a = achieved compaction moisture content (%)
 OMC = optimum moisture content (%)

8.4 When the target compaction moisture content is specified as a percentage of DoS, calculate the achieved percentage of DoS as follows:

$$S = \frac{w_a}{\frac{\rho_w - 1}{\rho_a - \rho_{st}}}$$

- where S = achieved degree of saturation (%)
 w_a = achieved compaction moisture content (%)
 ρ_w = water density (t/m³) (taken as 1.000 t/m³)
 ρ_a = achieved compacted dry density (t/m³)
 ρ_{st} = soil particle density (t/m³)

9 Reporting

The following shall be reported:

- 9.1 Target compacted dry density to the nearest 0.01 t/m³.
- 9.2 Nominated relative compaction to the nearest 0.5%, if appropriate.
- 9.3 Target compaction moisture content to the nearest 0.1%.
- 9.4 Nominated relative moisture content as a percentage of OMC to the nearest 1%.
- 9.5 Nominated degree of saturation to the nearest 1%.
- 9.6 Achieved compacted dry density to the nearest 0.01 t/m³.
- 9.7 Achieved relative compaction to the nearest 0.5%.
- 9.8 Achieved compaction moisture content to the nearest 0.1%.
- 9.9 Achieved percentage of OMC to the nearest 1%.
- 9.10 Achieved DoS to the nearest 1%.
- 9.11 The number of this test method, that is Q145A.

10 Notes on method

- 10.1 Before handling oil, the operator should consult the relevant SDS.
- 10.2 When compacting multiple specimens from the same test portion, it is preferable that these are moulded simultaneously. This is accomplished by compacting the same layer in each mould one after the other.

Test Method Q146: Degree of saturation of soils and crushed rock

1 Source

This procedure was developed in-house using information contained within technical references.

2 Scope

This method describes the procedure for determining the degree of saturation of compacted layers of pavements consisting of unbound materials.

3 Procedure

- 3.1 Select test locations within the lot under consideration using Random Stratified Sampling: Selection of Location – Available Area as detailed in Test Method Q050 (unless otherwise specified).
- 3.2 Determine the insitu dry density and the insitu moisture content of the compacted pavement material as detailed in Test Method Q141A preferably, or Q141B. When the insitu dry density and the insitu moisture content of the compacted pavement material is determined as detailed in Test Method Q141A, a material wet density bias and a material moisture bias must always be determined and used to adjust the nuclear gauge wet density and moisture content respectively. Refer to *Nuclear Gauge Testing Manual* Test Method N01 for details.
- 3.3 Determine the soil particle density of the pavement material as detailed in Test Method AS 1289.3.5.1, re-establishing an updated value at the following frequency:
 - 3.3.1 Undertake one test per 10,000 tonnes supply or one test per fortnight, whichever produces the greater number of tests where an assigned maximum dry density applies.
 - 3.3.2 Undertake one test per 5,000 tonnes supply or one test per week, whichever produces the greater number of tests where one-for-one testing applies.
- 3.4 Determine the DoS as described in Section 4.
- 3.5 Where the DoS has necessitated further drying of the pavement material, retest to determine the compacted density and insitu moisture content as detailed in Steps 3.1 to 3.2.

4 Calculations

- 4.1 Calculate the DoS as follows:

$$S = \frac{w}{\frac{\rho_w}{\rho_d} - 1} \rho_{st}$$

where	S	=	degree of saturation (%)
	w	=	insitu moisture content (%)
	ρ_w	=	water density (t/m ³) (taken as 1.000 t/m ³)
	ρ_d	=	compacted dry density (t/m ³)
	ρ_{st}	=	soil particle density (t/m ³)

- 4.2 Where a number of tests have been performed on a lot, calculate the maximum characteristic DoS as detailed in Test Method Q020.

5 Reporting

Report the following:

- 5.1 Degree of saturation to the nearest 1%.
- 5.2 Compacted dry density to the nearest 0.01 t/m³.
- 5.3 Insitu moisture content to the nearest 0.1%.
- 5.4 Soil particle density to the nearest 0.01 t/m³ and date determined.
- 5.5 If required, the maximum characteristic degree of saturation as detailed in Test Method Q020.

Test Method Q147B: Compacted density of stabilised material - vacuum saturation

1 Source

This method applies the principles of ASTM C642: *Standard test method for density, absorption and voids in hardened concrete to the determination of the compacted density of stabilised specimens.*

2 Scope

This method describes a procedure for determining the compacted density of stabilised specimens. The specimens may be either laboratory or field compacted. The method is also applicable to cores removed from stabilised materials.

3 Apparatus

The following apparatus is required:

- 3.1 Balance, of suitable capacity, with a resolution of at least 0.1 g and with a limit of performance within the range of ± 0.5 g. The balance shall also be capable of below balance weighing.
- 3.2 Balance bench, equipped with a hole for below balance weighing.
- 3.3 Thermometer, a partial or total immersion thermometer or other suitable temperature measuring device having a temperature range which includes the test temperature, and graduated to 1°C or less with an uncertainty of no more than 0.5°C.
- 3.4 Attachment, a non-absorbent device to suspend the specimen (for example, nylon or wire loop, wire support frame).
- 3.5 Water container, fitted with an overflow and of suitable dimensions to allow the specimen to be completely immersed without contacting any part of the container.
- 3.6 Water container, of sufficient volume to contain the specimen.
- 3.7 Oven, of suitable capacity, having a temperature of 105 – 110°C and complying with AS 1289.0.
- 3.8 A vacuum apparatus and chamber.
- 3.9 Container for soaking specimens.
- 3.10 Tray for drying specimens.

4 Materials

The following materials are required:

- 4.1 Potable water.
- 4.2 Cloths for removing excess water from vacuum soaked specimens.

5 Procedure

The procedure shall be as follows:

5.1 Sample preparation

- 5.1.1 Where the specimen is a core, prepare the core specimen as detailed in Q303A Subsection 4.2 without air-drying to obtain specimens about 63.5 mm in height for testing.

- 5.1.2 Determine the mass of the specimen (m_1).
- 5.1.3 Place the specimen in a container and cover with potable water at $23 \pm 3.0^\circ\text{C}$. Place in the vacuum chamber and apply a partial vacuum of 13 kPa or less absolute pressure for 10 minutes (Note 8.1).
- 5.1.4 After the vacuum soaking remove the specimens from the water and carefully remove excess water using a cloth.
- 5.1.5 Determine the mass of the saturated-surface-dry specimen (m_2).

5.2 Density measurement

- 5.2.1 Place the container directly below the hole in the balance bench, fill it until water escapes from the overflow and allow the excess water to run to waste.
- 5.2.2 When water has ceased dripping from the overflow, fit the attachment to the balance, allow the remainder of the attachment to be immersed in the water container, and zero the balance.
- 5.2.3 Using the attachment, suspend the specimen from the balance and gently lower it into the water container until completely immersed, taking care to ensure that the suspended specimen hangs free of the sides and bottom of the container.
- 5.2.4 Add additional water if necessary until water escapes from the overflow, and allow the excess water to run to waste.
- 5.2.5 When water has ceased dripping from the overflow, determine the mass of the immersed specimen (m_3).
- 5.2.6 Record the temperature of the water in the container to the nearest 1°C .

5.3 Drying of specimen

- 5.3.1 Determine the mass of the drying tray (m_4).
- 5.3.2 Remove the specimen from the water and place in the drying tray. Place the specimen and drying tray in an oven and dry to constant mass.
- 5.4 Determine the mass of the drying tray and dry specimen (m_5).

6 Calculations

Calculations shall be as follows:

- 6.1 Calculate the compacted dry density of the specimen as follows:

$$\rho_d = \frac{m_5 - m_4}{m_2 - m_3} D_w$$

- where
- ρ_d = compacted dry density of specimen (t/m^3)
 - m_5 = mass of dry specimen and tray (g)
 - m_4 = mass of tray (g)
 - m_2 = mass of saturated-surface-dry specimen (g)
 - m_3 = mass of immersed specimen (g)

D_w = density of water at test temperature (t/m^3) (Table 1)

6.2 Calculate the moisture content as follows:

$$w = \frac{m_1 - (m_5 - m_4)}{m_5 - m_4} 100$$

where w = moisture content of specimen (%)

m_1 = mass of specimen (g)

m_5 = mass of dry specimen and tray (g)

m_4 = mass of tray (g)

7 Reporting

The following shall be reported:

7.1 Compacted density of the sample to the nearest 0.01 t/m^3 .

7.2 Moisture content of specimen to the nearest 0.1%.

8 Notes on method

8.1 A partial vacuum of 13 kPa absolute pressure is approximately equivalent to a -88 kPa reading on a vacuum gauge at sea level.

Table 1 - Density of water

Temperature (°C)	Density (t/m^3)	Temperature (°C)	Density (t/m^3)	Temperature (°C)	Density (t/m^3)
0	1.000	14	0.999	28	0.996
1	1.000	15	0.999	29	0.996
2	1.000	16	0.999	30	0.996
3	1.000	17	0.999	31	0.995
4	1.000	18	0.999	32	0.995
5	1.000	19	0.998	33	0.995
6	1.000	20	0.998	34	0.994
7	1.000	21	0.998	35	0.994
8	1.000	22	0.998	36	0.994
9	1.000	23	0.998	37	0.993
10	1.000	24	0.997	38	0.993
11	1.000	25	0.997	39	0.993
12	1.000	26	0.997	40	0.992
13	0.999	27	0.997		

Test Method Q148: Manufacture of laboratory slab specimens – segmental wheel compactor

1 Source

This method was developed in-house but applies the principles of Austroads Asphalt Test AST 05-1999: *Sample Preparation – Compaction of Asphalt Slabs Suitable for Characterisation to granular materials*.

2 Scope

This method describes the procedure for the laboratory manufacture of granular slab specimens using a segmental wheel compactor for wheel tracker testing.

3 Apparatus

The following apparatus is required:

- 3.1 Segmental wheel compactor, comprising the following (Note 10.1):
 - 3.1.1 Compaction device, capable of applying a loading of 1000 to 30,000 N to within 500 N, with the option for vibratory compaction and sufficiently rigid that it will not deform under load over the operating range. The compaction device will be in the form of a freely rotating wheel segment of diameter 1200 ± 200 mm. The foot of the compaction device having an arc length of 300 mm and a width of 300 mm. The compaction foot needs to be vertically moveable and set to a specified height above the base of the compaction mould using a setting block.
 - 3.1.2 Compaction table, having an oscillating speed of 10 to 25 oscillations per minute adjustable to within 1 oscillation per minute, and a travel of 200 to 450 mm adjustable to within 5 mm. The table will have provision to attach the compaction mould.
 - 3.1.3 Compaction moulds, metal moulds of internal dimensions 300 mm length, 300 mm width and 100 mm height with detachable sides and baseplate. A 55 mm detachable collar can be fitted to the top of the mould to accommodate material prior to compaction. A base plate of dimensions 317 mm length and 317 mm width can be fitted to facilitate locking of the mould into the slab compactor.
 - 3.1.4 Lifting device, to move a compaction mould (with or without material) to and from the compaction table.
- 3.2 Sieves, 19.0 mm and 9.50 mm conforming with ISO 3310.
- 3.3 Miscellaneous mixing apparatus, such as:
 - 3.3.1 a tray, trowel or scoop suitable for hand mixing material, or
 - 3.3.2 sample divider (riffle), conforming with the requirements of AS 1141.2 for riffle mixing of material.
- 3.4 Sealable containers, suitable for curing mixed test portions.
- 3.5 Balance, of suitable capacity, with a resolution of at least 1 g and with a limit of performance within the range of ± 5 g.
- 3.6 Tool for scarifying each compacted layer and screeding the uncompacted material, such as a trowel or spatula.

4 Materials

The following material is required:

- 4.1 Mould oil, a light mould oil such as Caltex Mould Oil 20 (Note 10.2).
- 4.2 Grease proof paper, such as baking paper, cut into two 300 mm squares.

5 Sample preparation

The sample shall be prepared as follows:

- 5.1 Prepare the bulk sample as detailed in Section 5 of Test Method Q101 to produce a representative subsample of at least 100 kg.
- 5.2 Further prepare the material by screening the subsample on a 19.0 mm sieve as detailed in Test Method Q101, Steps 6.2.1 to 6.2.3. Ensure that any aggregations are broken up to pass a 9.50 mm sieve and any oversize material is retained.
 - 5.2.1 Where oversize is retained on the 19.0 mm sieve, determine its mass (m_{ow}) and the mass of the passing 37.5 mm (undersize) material (m_{uw}). Calculate the percentage oversize on a wet mass basis as follows:

$$P_{ow} = \frac{100m_{ow}}{m_{ow} + m_{uw}}$$

where P_{ow} = percentage by wet mass of oversize

m_{ow} = wet mass of oversize (g)

m_{uw} = wet mass of undersize (g)

- 5.3 Discard any material retained on the 19.0 mm sieve.
- 5.4 Prepare representative test portions of the sieved material as detailed in Test Method Q101, Steps 6.2.4 to 6.2.6 as follows:
 - a) two test portions of 13,000 g for slab compaction and determine the mass of each test portion (m_1)
 - b) test portion for hygroscopic moisture content
 - c) test portion for soil particle density
 - d) suitable number of test portions to determine the OMC and MDD.
- 5.5 Determine the hygroscopic moisture content (w_1) of the test portion prepared in Step 5.5 b) as detailed in Test Method AS 1289.2.1.1.
- 5.6 Determine the soil particle density (ρ_{st}) of the test portion prepared in Step 5.5 c) as detailed in Test Method AS 1289.3.5.1.
- 5.7 Determine the OMC and MDD of the test portion prepared in Step 5.5 d) as detailed in the relevant test method from Test Methods Q142A or Q142B as appropriate using a Type A mould.

6 Preparation of test portions

6.1 Determine the maximum dry density (MDD) and optimum moisture content (OMC) as detailed in Test Method Q142A or Q142B (Mould A) for each stabilising agent content identified at Step 5.7.

6.2 Materials with stabilising agents other than foamed bitumen

6.2.1 Determine the quantity of stabilising agent, then mix and condition each of the two test portions for slab compaction as detailed in Test Method Q135A.

6.3 Materials with foamed bitumen

6.3.1 Determine the quantity of stabilising agent, then mix and condition each of the two test portions for slab compaction as detailed in Test Method Q138A.

6.4 Materials without stabilising agent

The test specimens shall be prepared as follows:

6.5 For each of the two test portions for slab compaction calculate the dry mass of material as follows:

$$m_2 = \frac{100m_1}{100+w_1}$$

where m_2 = mass of dry material in test portion (g)

m_1 = mass of wet material in test portion (g)

w_1 = hygroscopic moisture content (%)

6.6 Using the procedure detailed in Test Method Q145A, calculate the target compaction moisture content (w_2) to achieve the nominated relative compaction and nominated relative moisture content or nominated DoS.

6.7 For each test portion calculate the mass of mixing water to be added as follows:

$$m_3 = \frac{(m_2 w_2)}{100} - (m_1 - m_2)$$

where m_3 = mass of mixing water to be added (g)

m_2 = mass of dry material in test portion (g)

w_2 = target compaction moisture content (%)

m_1 = mass of wet material in test portion (g)

6.8 Measure out the required mass of mixing water to be added (m_3).

6.9 Mix each of the two test portions with mixing water by either hand as detailed in Test Method Q135A Subsection 6.4 or by machine mixing as detailed in Test Method Q135A Subsection 7.2.

6.10 After mixing, place the mixture into a curing container. Cure for the time specified for the material (refer to Table 1) (Note 10.3).

7 Slab specimen compaction

The slab specimen shall be compacted as follows:

- 7.1 Using the procedure detailed in Test Method Q145A, calculate the mass of material per layer.
- 7.2 Assemble the mould and detachable base plate.
- 7.3 Determine the mass (m_1) of the mould and base plate. Attach the collar and fix the collar to the mould and, if required, lightly oil the internal surfaces to prevent material adhering to the mould.
- 7.4 At the end of the required curing / conditioning period, thoroughly remix the test portion by hand or riffle. Take a subsample and determine the achieved compaction moisture content (w_a) as detailed in Test Method AS 1289.2.1.1.
- 7.5 Insert the 50 mm height setting block into the slab compactor to set the thickness of the slab specimen.
- 7.6 Transfer the cured test portion to the mould, screed it flat without segregation using a trowel and level the material.
- 7.7 Place a piece of grease proof paper on the levelled material.
- 7.8 Apply sufficient air pressure to raise the compaction foot and transfer the mould and sample to the compaction table using the lifting device.
- 7.9 Fix the mould to the compaction table.
- 7.10 Move the compaction table until the compaction foot is aligned with the inside edge of the mould collar.
- 7.11 Set the pressure to 25 kPa and lower the compaction foot to rest on the material in the mould.
- 7.12 Compact the sample in the mould using the manufacturer's instructions to provide the following compaction sequence:
 - a) 5 oscillations at a pressure of 25 kPa
 - b) 5 oscillations at a pressure of 50 kPa
 - c) 10 oscillations at a pressure of 100 kPa
 - d) 10 oscillations at each additional increment of 100 kPa until the target slab thickness is attained across the whole of the slab specimen (Note 10.4) (Note 10.5).
- 7.13 Raise the compaction foot, remove the mould then remove and discard the grease proof paper.
- 7.14 Scarify the top of the compacted material to promote bonding with the overlying layer.
- 7.15 Transfer the second cured test portion to the mould, screed it flat without segregation using a trowel and level the material.
- 7.16 Remove the 50 mm height setting block. Replace with the 100 mm height setting block and repeat Steps 7.7 to 7.12.
- 7.17 Raise the compaction foot, move the compaction table to the end of its forward cycle and remove the mould.
- 7.18 Remove the collar and grease proof paper.
- 7.19 Determine the mass (m_2) of the mould, base plate and compacted material.

8 Calculations

Calculations shall be as follows:

- 8.1 For each specimen, the achieved dry density, achieved moisture content, achieved relative compaction, achieved percentage of OMC and achieved DoS as detailed in Test Method Q145A.

9 Reporting

The following shall be reported:

- 9.1 The percentage of oversize material retained on 19.0 mm sieve.
- 9.2 For each specimen, the achieved dry density, target dry density, achieved moisture content, target moisture content, target relative compaction, achieved relative compaction, nominated relative moisture content as a percentage of OMC, achieved percentage of OMC, nominated DoS and achieved DoS as detailed in Test Method Q145A.
- 9.3 The number of this test method, that is Q148.

10 Notes on method

- 10.1 The BP Slab Compactor satisfies the requirements of the segmental wheel compactor.
- 10.2 Before handling oil, the operator should consult the relevant SDS.
- 10.3 For a material prepared in a moist condition close to optimum moisture content, periods up to 2 hours may be adequate. However, if the material contains dry clay, periods of up to 7 days may be required. Thus, longer curing times will be required as the cohesion of a material increases.
- 10.4 Vibratory compaction may be used where it becomes apparent that compaction without vibration will not achieve the target slab thickness.
- 10.5 If the target compacted density cannot be achieved, calculate the height of the specimen above the top of the mould at three locations on each side of the mould (in the direction of travel) and recalculate the volume of specimen to determine the achieved dry density and achieved relative compaction.

Table 1 – Minimum curing time

Plasticity	Condition of prepared test portion	
	Sample moisture content within $w_2 \pm 2\%$	Sample moisture content outside $w_2 \pm 2\%$
Sands and granular material*	2 h	2 h
Low (LL ≤ 35%)	24 h	48 h
Medium (35 < LL ≤ 50%)	48	96 h (4 days)
High (LL > 50%)	96 h (4 days)	168 h (7 days)

* These can include naturally occurring sands and gravels, crushed rocks and manufactured materials with a fines (< 0.075 mm) content typically less than 12% and low plasticity.

w_2 = target compaction moisture content.

Test Method Q149: Deformation of granular material – wheel tracker

1 Source

This method was developed in-house but applies the principles of Austroads Asphalt Test AST 01-1999 *Deformation Resistance of Asphalt Mixtures by the Wheel Tracking Test* to granular materials.

2 Scope

This method describes the procedure for determining the susceptibility of granular materials to deformation under load. It involves monitoring the deformation that occurs in a granular sample undergoing simple harmonic motion when bearing a loaded wheel on its surface. The method is applicable to granular materials compacted in the laboratory.

3 Apparatus

Where appropriate, the working tolerances of particular apparatus are contained in Table 1.

The following apparatus is required:

3.1 Wheel tracker apparatus comprising the following:

- a) Loaded wheel mechanism, consisting of the following:
 - i. steel wheel fitted with a smooth solid rubber tread of thickness 115 mm and diameter of 202.5 mm and width 50 mm and hardness of 80 IRHD units
 - ii. means of loading the wheel to apply a force of 700 ± 20 N centrally and normal to the top surface of the test specimen, and
 - iii. with vertical play in the loaded wheel mechanism less than 0.25 mm.
- b) wheel tracker table, capable of moving in simple harmonic motion at a frequency of 21 cycles per minute over a travel distance of 250 mm (Note 7.1) and fitted with a means for fixing a test specimen of dimensions up to 305 mm length, 305 mm width and 100 mm thickness to the table
- c) rut depth measurement device, an electronic displacement measuring device having a minimum travel of 20 mm resolution of 0.1 mm
- d) means for continuously recording rut depth measurements at progressive numbers of wheel tracker cycles, and
- e) means for controlling the test specimen temperature to within $\pm 1^\circ\text{C}$ of the test temperature throughout the test.

4 Materials

The following material is required:

4.1 Plastic film, for covering the test specimen.

5 Procedure

The procedure shall be as follows:

5.1 Prepare the test specimen as detailed in Test Method Q148.

- 5.2 About one hour before loading the test specimen, turn the wheel tracker unit on and set the test temperature to 30°C and allow the chamber and loaded wheel mechanism and tracker table to equilibrate to the test temperature.
- 5.3 Fix the test specimen to the wheel tracker table.
- 5.4 Cover the test specimen with plastic to minimise moisture loss and conditioning specimen to the test temperature for one hour.
- 5.5 Remove the plastic and lower the loaded wheel to the surface of the test specimen and commence wheel tracking in accordance with the operating instructions for the wheel tracker apparatus.
- 5.6 Obtain a continuous record of the rut depth corresponding to different numbers of wheel tracker cycles.
- 5.7 Continue wheel tracking for a minimum of 5000 cycles (10,000 passes), or until:
 - a) the rut depth is in excess of 15 mm, or
 - b) loose material starts falling into the rut.

6 Reporting

The following shall be reported:

- 6.1 Description of the sample.
- 6.2 The type and source of the material.
- 6.3 Rut depth of the material at the completion of the test to the nearest 0.02 mm.
- 6.4 Layer thickness of the material to the nearest 1 mm.
- 6.5 Number of wheel tracker cycles.
- 6.6 The values of rut depth, to the nearest 0.2 mm, for the following cycle counts: 5, 50, 500, 1000, 2000, 3000, 4000 and 5000.
- 6.7 Semi-logarithmic plot of the rut depth (mm) as a function of the wheel tracker cycle number (n).
- 6.8 Test temperature to the nearest 1°C.
- 6.9 Reason for terminating test before specified cycles are completed (if required).
- 6.10 The number of this test method, that is Q149.

7 Notes on method

- 7.1 One cycle represents the outward and return passes of the loaded wheel, that is, two passes.

Table 1 - Dimensions and tolerances for compaction apparatus

Apparatus	Dimension	Tolerance
Loaded wheel - Rubber tread		
Thickness (mm)	11.5	± 1.5
Width (mm)	50.0	± 1.0
Hardness (IRHD)	80	± 10

Apparatus	Dimension	Tolerance
Loaded Wheel - Steel and rubber tread		
Diameter (mm)	202.5	± 2.5
Width (mm)	50.0	± 1.0
Wheel tracker table		
Motion frequency (cycles / minute)	21	± 0.2
Travel distance (mm)	250	± 20

Test Method Q250: Relative moisture ratio of soils and crushed rock

1 Source

This procedure was developed in-house using information contained within technical references.

2 Scope

This method describes the procedure for determining the relative moisture ratio of stockpiled or uncompacted materials. These materials may be quarry, in situ stabilised or plant mixed materials.

3 Definition

For the purpose of this method, the following definition shall apply:

- 3.1 Relative moisture ratio is the ratio of in situ moisture content to the laboratory optimum moisture content expressed as a percentage.

4 Procedure

The optimum moisture content and in situ moisture content shall be determined as follows:

4.1 Laboratory optimum moisture content

Assign or use previously assigned values of optimum moisture content (OMC) and, where appropriate, the percentage of oversize (P_{od}).

Where assigned values have either not been developed or are impractical, sample and test for optimum moisture content and percentage of oversize as detailed in Step 4.1.3.

4.1.1 New assigned values

Obtain samples of uncompacted material or stockpiled material and assign values of optimum moisture content and percentage of any oversize as detailed in Test Method Q144A.

4.1.2 Previously assigned values

Confirm and monitor the applicability of previously assigned values using the Assigned Values Check procedure detailed in Test Method Q144A.

4.1.3 One-for-one testing

Obtain samples of material following the sampling for moisture content (refer to Subsection 4.2).

Determine the optimum moisture content and percentage of oversize as detailed in Test Method Q142A or Q142B as appropriate.

4.2 Moisture content

- 4.2.1 Select sampling locations within the lot under consideration using Random Stratified Sampling: Selection of Location – Available Perimeter or Random Stratified Sampling: Selection of Location – Available Area (unless otherwise specified) as detailed in Test Method Q050.

- 4.2.2 Obtain sample and test for moisture content as follows:

- a) For quarry materials:
- obtain samples of material from stockpile using Test Method Q060.

- b) For plant mixed stabilised materials excluding foamed bitumen:
 - obtain samples of uncompacted material after spreading but before the start of compaction using Test Method Q061.
- c) For plant mixed foamed bitumen stabilised materials:
 - obtain samples of material from a production stockpile using Test Method Q060, or
 - obtain samples of uncompacted material after spreading but before the start of compaction using Test Method Q061.
- d) For in situ stabilised materials:
 - obtain samples of uncompacted material after spreading and the incorporation of all stabilising agents and water, but before the start of compaction using Test Method Q061.
- e) For earthworks materials excluding stabilised materials:
 - obtain samples of uncompacted material after spreading but before the start of compaction using Test Method Q061.

4.2.3 Determine the moisture content of the samples (w) as detailed in Test Method AS 1289.2.1.1 or one of the subsidiary Test Methods AS 1289.2.1.4 or AS 1289.2.1.6 for which a relationship with Test Method AS 1289.2.1.1 has been established and used in accordance with Test Method AS 1289.2.3.1.

5 Calculations

Calculations shall be as follows:

5.1 Adjust the laboratory optimum moisture content for oversize material as follows (Note 7.1):

$$OMC_a = OMC \frac{100 - P_{od}}{100}$$

- where
- OMC_a = adjusted laboratory optimum moisture content (%)
 - OMC = optimum moisture content assigned or obtained in the laboratory reference test (%)
 - P_{od} = percentage of oversize (dry basis)

5.2 Determine the relative moisture ratio as follows:

$$RMR_d = \frac{100w}{OMC_a}$$

- where
- RMR_d = relative moisture ratio (%)
 - w = in situ moisture content (%)
 - OMC_a = adjusted laboratory optimum moisture content (%) (Note 7.1)

6 Reporting

The following shall be reported for each test location within the lot:

6.1 Relative moisture ratio to the nearest 1%, if required.

- 6.2 In situ moisture content to the nearest 0.1%.
- 6.3 The optimum moisture content or adjusted optimum moisture content to the nearest 0.5%.
- 6.4 Percentage of dry oversize to the nearest 1% and, whether the value was assigned.
- 6.5 The sieve on which the oversize material is retained (19.0 mm or 37.5 mm).
- 6.6 Date when the optimum moisture content was assigned.

7 Notes on method

- 7.1 Where there is no oversize present in the material, $OMC_a = OMC$ and $OMC_a = OMC_e$, as applicable.

Test Method Q251A: Preparation and compaction of laboratory mix stabilised materials

1 Source

This method was developed in-house using techniques evolved through internal departmental research investigations.

2 Scope

This method describes the procedure to prepare and compact UCS specimens of soils and crushed rock which have been either modified or stabilised with a stabilising agent. The method has particular application as a laboratory design procedure. In the laboratory, prepare test specimens by compacting passing 19.0 mm material by standard or modified compactive effort or to a nominated dry density and moisture content, as detailed in Test Method Q145A. Where density/moisture parameters are not directly specified, use standard compactive effort.

3 Apparatus

Where appropriate, the working tolerances of particular apparatus are contained in Tables 1 and 2.

The following apparatus is required:

- 3.1 Mould assembly (Mould A), comprising a cylindrical metal mould having an internal diameter of 105 mm and an effective height of 115.5 mm, fitted with a detachable baseplate and a removable collar assembly about 60 mm high, both of which can be firmly attached to the mould.
- 3.2 Steel rammer, having a 50 mm diameter face. For standard compactive effort, a rammer with a drop mass of 2700 g and a drop height of 300 mm. For modified compactive effort, a rammer with a drop mass of 4900 g and a drop height of 450 mm. Alternatively use a mechanical compactor, provided it meets the essential requirements of drop height, mass and energy input. A mechanical compactor may be used provided the essential dimensions are adhered to and the rammer has a free vertical fall of the correct height with blows being uniformly distributed and in keeping with any prescribed cycle of blows. The design of the compactor allows attachment of the mould to a level and rigid support base. The difference between maximum dry density determinations using manual or mechanical compaction is less than 2%.
- 3.3 Balances:
 - a) balance of suitable capacity, with a resolution of at least 1 g and with a limit of performance within the range of ± 5 g, and
 - b) balance of suitable capacity to weigh stabilising agents, with a resolution of at least 0.1 g and with a limit of performance within the range of ± 0.5 g (Note 8.1).
- 3.4 Sieve, 19.0 mm and 9.50 mm conforming with ISO 3310.
- 3.5 Material height gauge. A flat steel bar, about 250 mm long, 25 mm wide and 1–3 mm thick is satisfactory (Note 8.2).

4 Sample preparation

The sample shall be prepared as follows:

- 4.1 Prepare the bulk sample as detailed in Section 5 of Test Method Q101 to produce a representative subsample of appropriate size. It may be necessary to dry the bulk sample before preparation so that the material is sufficiently dry to allow uniform mixing of the stabilising agent with the host material.
- 4.2 Screen the subsample on the 19.0 mm sieve as detailed in Test Method Q101, Steps 6.2.1 to 6.2.3, ensuring that any aggregations are broken up to pass a 9.50 mm sieve. Discard any material retained on the 19.0 mm sieve and thoroughly remix the material passing the 19.0 mm sieve.
- 4.3 Prepare at least three UCS compaction test portions and a single test portion for determining hygroscopic moisture content as detailed in Test Method Q101, Steps 6.2.4 to 6.2.6. Each UCS compaction test portion must be of sufficient quantity to mould three specimens and provide a subsample for determining the compaction moisture content (Notes 8.3, 8.4 and 8.5).
- 4.4 Where the UCS moulding moisture content and dry density are not specified, prepare sufficient additional test portions to undertake MDR testing as detailed in Test Method Q142A or Q142B as appropriate, as indicated in Table 2 (Note 8.6).

5 Moulding

The sample shall be moulded as follows:

- 5.1 Determine the MDD and OMC as detailed in Test Method Q142A or Q142B (Mould A) for each stabilising agent content identified at Step 5.4.
- 5.2 Where multiple MDR tests are performed using stabilising agent contents greater than zero percent, analyse these results as follows:
 - a) Plot separately MDD and OMC against stabilising agent content. Draw a line or curve of best fit through each plot.
 - b) Repeat any MDR test where its result is erratic within the set.
 - c) Interpolate values of dry density and moisture content from the respective plots to obtain the compaction dry density and compaction moisture content for each stabilising agent content used in the testing program.
- 5.3 Determine the quantity of stabilising agent, then mix and condition each UCS compaction test portion as detailed in Test Method Q135A (Notes 8.7 and 8.8).
- 5.4 Using the procedure detailed in Test Method Q145A, calculate the mass of wet mixture per layer, determine the achieved compaction moisture content, then mould three specimens, compacting each in three equal layers. Complete the compaction within 65 minutes, timed from the first addition of mixing water to the mixture of host material and stabilising agent.

6 Calculations

Calculations shall be as follows:

- 6.1 Using the achieved compaction moisture content, calculate the achieved compacted dry density and the achieved relative compaction for each specimen as detailed in Test Method Q145A.

7 Reporting

The following shall be reported:

7.1 General information:

- a) Source and description of the host material.
- b) Source, type, ATIC Registration number and quantity of the stabilising agent(s) (Note 8.9).
- c) Curing details including duration, temperature, relative humidity and moist and/or dry curing conditions.

7.2 For laboratory mixed material:

- a) target compacted dry density, achieved compacted dry density, achieved relative compaction, target compaction moisture content, achieved compaction moisture content and achieved percentage of OMC as detailed in Test Method Q145A
- b) compaction standard used, that is standard or modified.

7.3 The number of this test method, that is Q251A.

8 Notes on method

8.1 The balance referred to is suitable for most applications when adding stabilising agent to material. For small masses of material, a balance with a resolution which displays to one significant figure more than the mass being weighed and a limit of performance commensurate with the resolution will be required.

8.2 A material height gauge which allows monitoring of the height of compacted material relative to the top of a Mould A can be made from a steel bar and marked as follows:

8.2.1 Commencing at one end of the bar, measure and mark distances of:

- a) 5.5 mm for the upper range of the third layer
- b) 33.5 to 38.5 mm for the acceptable range of the second layer, and
- c) 72.5 to 77.5 mm for the acceptable range of the first layer.

8.2.2 Mark the face with the appropriate mould size (A).

8.3 A test portion mass of 10 kg will be adequate for determining UCS for most materials. A gravel may, require up to 12 kg while it may be possible to use as low as 8 kg for a heavy clay.

8.4 For cement and cementitious blends sufficient test portions should be available to straddle the UCS range in increments of 0.5 to 1.0% stabilising agent content. This will sometimes require more than three compaction test portions.

8.5 For lime stabilisation sufficient test portions should be available to straddle a range of lime contents in increments of 2.0% stabilising agent content. This will usually require five compaction test portions.

8.6 Usually four test portions are sufficient for each Q142A or Q142B test. For most materials, 2.5 kg should be adequate for each test portion mass. A gravel may, require up to 3 kg while it may be possible to use as low as 2 kg for a heavy clay.

8.7 When mixing and conditioning more than one test portion, sequence the work to comply with any time for conditioning and the time to completion of compaction. Measure both of these

times from the addition of the first increment of water to the mixture of soil and stabilising agent.

8.8 Test portions which do not contain stabilising agents are to be compacted at the completion of mixing the material and water.

8.9 This can be requested from the supplier of the cementitious materials. Further details are available from the Australian Technical Infrastructure Committee (ATIC), *Cementitious Materials Registration Scheme (CMRS), Registered Products List*.

Table 1 – Dimensions and tolerances of compaction apparatus

Apparatus	Dimension	Tolerance
Mould A		
Internal diameter (mm)	105.0	± 0.5*
Height (mm)	115.5	± 0.5*
Nominal volume (cm ³)	1000	± 15
Rammer		
Diameter; round foot (mm)	50	± 0.4
Area of rammer (mm ²)	1964	± 31
Standard Compaction (Mould A)		
Drop (mm)	300	± 2.0 ‡
Mass (kg)	2.7	± 0.01 ‡
Energy delivered per blow (J)	7.94	± 0.08
Number of layers	3	
Number of blows/layer	25	
Energy input (kJ/m ³)	596	± 14
Modified Compaction (Mould A)		
Drop (mm)	450	± 2.0 ‡
Mass (kg)	4.9	± 0.01 ‡
Energy delivered per blow (J)	21.62	± 0.08
Number of layers	3	
Number of blows/layer	42	
Energy input (kJ/m ³)	2703	± 60

* Either but not both of the tolerances may be exceeded provided that the specified tolerance on volume is not exceeded.

‡ Either but not both of the tolerances may be exceeded provided that the appropriate tolerance on energy delivered per blow is not exceeded.

Table 2 – Requirements for MDR tests

Range in stabilising agent	MDR test requirements
Range ≤ 4%	1 test at 0% stabilising agent, if applicable 1 test at the central stabilising agent content
Range > 4%	1 test at 0% stabilising agent, if applicable 1 test at the lowest stabilising agent content 1 test at the central stabilising agent content 1 test at the highest stabilising agent content

Test Method Q251B: Preparation and compaction of field mix stabilised materials

1 Source

This method was developed in-house using techniques evolved through internal departmental research investigations.

2 Scope

This method describes the procedure to prepare and compact UCS of soils and crushed rock which have been either modified or stabilised with a stabilising agent or are in their natural state. Use this method to compact field-mix materials in order to check field processes.

In the field, prepare test specimens by compacting passing 19.0 mm material using standard or modified compactive effort as required by the governing specifications.

3 Apparatus

Where appropriate, the working tolerances of particular apparatus are contained in Tables 1 and 2.

The following apparatus is required:

- 3.1 Mould assembly (Mould A), comprising a cylindrical metal mould having an internal diameter of 105 mm and an effective height of 115.5 mm, fitted with a detachable baseplate and a removable collar assembly about 60 mm high, both of which can be firmly attached to the mould.
- 3.2 Steel rammer, having a 50 mm diameter face. For standard compactive effort, a rammer with a drop mass of 2700 g and a drop height of 300 mm. For modified compactive effort, a rammer with a drop mass of 4900 g and a drop height of 450 mm. Alternatively use a mechanical compactor, provided it meets the essential requirements of drop height, mass and energy input. A mechanical compactor may be used provided the essential dimensions are adhered to and the rammer has a free vertical fall of the correct height with blows being uniformly distributed and in keeping with any prescribed cycle of blows. The design of the compactor allows attachment of the mould to a level and rigid support base. The difference between maximum dry density determinations using manual or mechanical compaction is less than 2%.
- 3.3 Level rigid foundation on which to compact the specimen, for example a sound concrete floor about 100 mm or more in thickness or a concrete block of at least 100 kg mass.
- 3.4 Balances:
 - a) balance of suitable capacity, with a resolution of at least 1 g and with a limit of performance within the range of ± 5 g, and
 - b) balance of suitable capacity to weigh stabilising agents, with a resolution of at least 0.1 g and with a limit of performance within the range of ± 0.5 g (Note 9.1).
- 3.5 Sieve, 19.0 mm and 9.50 mm complying with ISO 3310.
- 3.6 Material height gauge. A flat steel bar, about 250 mm long, 25 mm wide and 1 – 3 mm thick is satisfactory (Note 9.2).
- 3.7 Levelling plate, a steel plate having a diameter of about 140 mm and a thickness of about 20 mm.

3.8 Steel straightedge, about 250 mm long, 25 mm wide and 3 mm thick, preferably with one bevelled edge.

3.9 Rubber mallet.

4 Materials

The following materials are required:

4.1 Mould oil, a light oil such as Caltex Mould Oil 20 (Note 9.3).

5 Sample preparation

For field mixed materials sampled from either an insitu stabilising process or a plant-mixed process the procedure shall be as follows:

5.1 Sample the field mixed material as soon as possible after the completion of mixing and seal the bulk sample in an airtight container for transport to the moulding location.

5.2 Screen the sample on a 19.0 mm sieve as detailed in Test Method Q101, Steps 6.2.1 to 6.2.3, ensuring moisture loss is minimised.

5.3 Split out a UCS compaction test portion, as detailed in Test Method Q101, Steps 6.2.4 to 6.2.6, of sufficient quantity to compact three specimens and provide a subsample for determining the compaction moisture content (Note 9.4).

5.4 Place the test portion in an airtight container and put aside to precondition for 45 minutes, timed from commencement of when field mixing.

6 Moulding

6.1 Field mixed material – plant-mix

For field mixed materials sampled from a plant-mixed process the procedure shall be as follows:

6.1.1 Using the procedure detailed in Test Method Q145A, calculate the mass of wet mixture per layer, determine the achieved compaction moisture content, then mould three specimens simultaneously, compacting each in three equal layers. Simultaneous compaction is achieved by compacting the same layer in each mould one after the other. Complete compaction within 65 minutes, timed from the addition of the mixing water to the mixture of host material and stabilising agent (Notes 9.5 and 9.6).

6.2 Field mixed material – in situ-mix

For field mixed materials sampled from an insitu stabilising process the procedure shall be as follows:

6.2.1 Clean and assemble each mould and baseplate, lightly oiling the internal surfaces. Inspect and clean the rammer or mechanical compactor and ensure that it is free in the guide.

6.2.2 Determine the mass (m_1) of each mould and baseplate, attach the collars and place the assemblies on the rigid foundation.

6.2.3 At the end of the required conditioning period, spread the test portion on the mixing tray and thoroughly remix.

6.2.4 Obtain a subsample of the mixture and determine the achieved compaction moisture content as detailed in Test Method AS 1289.2.1.1 (w_a).

- 6.2.5 Mould the three specimens simultaneously in three equal layers using 25 rammer blows per layer for standard compaction or 42 rammer blows per layer for modified compaction, distributing the blows evenly over the surface of each layer. Simultaneous compaction is achieved by compacting the same layer in each mould one after the other. Compaction must be completed within 65 minutes, timed from when the mixing water was added to the mixture of the host material and stabilising agent.
- 6.2.6 For each mould, free the material from around the collar of the mould assembly, then carefully remove the collar.
- 6.2.7 Level the compacted specimens to the top of their respective mould using a straightedge. Employ the straightedge to patch any hollows developed in the surface using smaller sized material.
- 6.2.8 Determine the mass (m_2) of each mould, baseplate and compacted material.

7 Calculations

Calculations shall be as follows:

- 7.1 Using the achieved compaction moisture content, calculate the achieved compacted dry density as detailed in Test Method Q145A.

8 Reporting

The following shall be reported:

- 8.1 General information:
 - a) Source and description of the host material.
 - b) Source, type, ATIC Registration number and quantity of the stabilising agent(s) (Note 9.7).
- 8.2 For field mixed material:
 - a) Achieved compacted dry density and achieved compaction moisture content as detailed in Test Method Q145A.

9 Notes on method

- 9.1 The balance referred to is suitable for most applications when adding stabilising agent to material. For small masses of material a balance with a resolution which displays to one significant figure more than the mass being weighed and a limit of performance commensurate with the resolution will be required.
- 9.2 A material height gauge which allows monitoring of the height of compacted material relative to the top of a Mould A can be made from a steel bar and marked as follows:
 - 9.2.1 Commencing at one end of the bar, measure and mark distances of:
 - a) 5.5 mm for the upper range of the third layer
 - b) 33.5 to 38.5 mm for the acceptable range of the second layer, and
 - c) 72.5 to 77.5 mm for the acceptable range of the first layer.
 - 9.2.2 Mark the face with the appropriate mould size (A).
- 9.3 Before handling capping compounds or oil, the operator should consult the relevant SDS.

- 9.4 A test portion mass of 10 kg will be adequate for determining UCS for most materials. A gravel may, however, require up to 12 kg while it may be possible to use as low as 8 kg for a heavy clay.
- 9.5 It can be assumed that plant-mixed materials are sampled with a moisture content at target compaction moisture content and will be compacted to 100% of MDD. Therefore, the required mass of mixed and cured/conditioned wet material per layer can be calculated as follows:

$$M_1 = \frac{V \text{ MDD} (100 + \text{OMC})}{100 N}$$

- where M_1 = mass of wet material per layer (g)
- V = mould volume (cm³)
- MDD = maximum dry density (t/m³)
- w_2 = target compaction moisture content (%)
- OMC = optimum moisture content (%)
- N = number of layers.

This calculation is based on Test Method Q145A Step 5.1.

- 9.6 The MDD and target compaction moisture content values to be used when calculating the target compacted dry density and target compaction moisture content may be obtained from one of the following sources:
- assigned MDD obtained using Test Method Q144A
 - MDD obtained using Test Method Q142A or Q142B from a previous lot on the project
 - target compaction moisture content from mix design report, for most projects this will be OMC, but may be varied for some projects.
- 9.7 This can be requested from the supplier of the cementitious materials. Further details are available from the Australian Technical Infrastructure Committee (ATIC), *Cementitious Materials Registration Scheme (CMRS), Registered Products List*.

Table 1 – Dimensions and tolerances of compaction apparatus

Apparatus	Dimension	Tolerance
Mould A		
Internal diameter (mm)	105.0	± 0.5*
Height (mm)	115.5	± 0.5*
Nominal volume (cm ³)	1000	± 15
Rammer		
Diameter; round foot (mm)	50	± 0.4
Area of rammer (mm ²)	1964	± 31
Standard Compaction (Mould A)		
Drop (mm)	300	± 2.0 ‡
Mass (kg)	2.7	± 0.01 ‡
Energy delivered per blow (J)	7.94	± 0.08

Apparatus	Dimension	Tolerance
Number of layers	3	
Number of blows/layer	25	
Energy input (kJ/m ³)	596	± 14
Modified Compaction (Mould A)		
Drop (mm)	450	± 2.0 ‡
Mass (kg)	4.9	± 0.01 ‡
Energy delivered per blow (J)	21.62	± 0.08
Number of layers	3	
Number of blows/layer	42	
Energy input (kJ/m ³)	2703	± 60

* Either but not both of the tolerances may be exceeded provided that the specified tolerance on volume is not exceeded.

‡ Either but not both of the tolerances may be exceeded provided that the appropriate tolerance on energy delivered per blow is not exceeded.

Test Method Q251C: Preparation and compaction of soil

1 Source

This method was developed in-house using techniques evolved through internal departmental research investigations.

2 Scope

This method describes the procedure to prepare and compact UCS specimens of soils including recycled blend materials. In the laboratory, prepare test specimens by compacting passing 19.0 mm material by standard or modified compactive effort or to a nominated dry density and moisture content, as detailed in Test Method Q145A. Where density / moisture parameters are not directly specified, use standard compactive effort.

3 Apparatus

Where appropriate, the working tolerances of particular apparatus are contained in Tables 1 and 2.

The following apparatus is required:

- 3.1 Mould assembly (Mould A), comprising a cylindrical metal mould having an internal diameter of 105 mm and an effective height of 115.5 mm, fitted with a detachable baseplate and a removable collar assembly about 60 mm high, both of which can be firmly attached to the mould.
- 3.2 Steel rammer, having a 50 mm diameter face. For standard compactive effort, a rammer with a drop mass of 2700 g and a drop height of 300 mm. For modified compactive effort, a rammer with a drop mass of 4900 g and a drop height of 450 mm. Alternatively use a mechanical compactor, provided it meets the essential requirements of drop height, mass and energy input. A mechanical compactor may be used provided the essential dimensions are adhered to and the rammer has a free vertical fall of the correct height with blows being uniformly distributed and in keeping with any prescribed cycle of blows. The design of the compactor allows attachment of the mould to a level and rigid support base. The difference between maximum dry density determinations using manual or mechanical compaction is less than 2%.
- 3.3 Balances:
 - a) balance of suitable capacity, with a resolution of at least 1 g and with a limit of performance within the range of ± 5 g, and
 - b) balance of suitable capacity to weigh stabilising agents, with a resolution of at least 0.1 g and with a limit of performance within the range of ± 0.5 g.
- 3.4 Sieve, 19.0 mm and 9.50 mm conforming with ISO 3310.
- 3.5 Material height gauge. A flat steel bar, about 250 mm long, 25 mm wide and 1–3 mm thick is satisfactory (Note 8.1).

4 Sample preparation

The sample shall be prepared as follows:

- 4.1 Prepare the bulk sample as detailed in Section 5 of Test Method Q101 to produce a representative sub-sample of appropriate size. It may be necessary to dry the bulk sample before preparation so that the material is sufficiently dry to allow uniform mixing of the stabilising agent with the host material.
- 4.2 Screen the sub-sample on the 19.0 mm sieve as detailed in Test Method Q101, Steps 6.2.1 to 6.2.3, ensuring that any aggregations are broken up to pass a 9.50 mm sieve. Discard any material retained on the 19.0 mm sieve and thoroughly remix the material passing the 19.0 mm sieve.
- 4.3 Prepare at least one UCS compaction test portion and a single test portion for determining hygroscopic moisture content as detailed in Test Method Q101, Steps 6.2.4 to 6.2.6. Each UCS compaction test portion must be of sufficient quantity to mould three specimens and provide a sub-sample for determining the compaction moisture content (Note 8.2).
 - 4.3.1 Determine the hygroscopic moisture content (w_1) of the test portion prepared in Step 4.3 as detailed in Test Method AS 1289.2.1.1.
- 4.4 Where the UCS moulding moisture content and dry density are not specified, prepare sufficient additional test portions to undertake MDR testing as detailed in Test Method Q142A or Q142B as appropriate, using the specified curing time for the material (Table 2) (Note 8.3).

5 Moulding

The sample shall be moulded as follows:

- 5.1 Determine the MDD and OMC as detailed in Test Method Q142A or Q142B (Mould A).
- 5.2 For each test portion, calculate the dry mass of material as follows:

$$m_2 = \frac{100m_1}{100 + w_1}$$

- where
- m_2 = mass of dry material in test portion (g)
 - m_1 = mass of wet material in test portion (g)
 - w_1 = hygroscopic moisture content (%)

- 5.3 Using the procedure detailed in Test Method Q145A, calculate the target compaction moisture content (w_2) to achieve the nominated relative compaction and nominated relative moisture content.
- 5.4 For each test portion calculate the mass of mixing water to be added as follows:

$$m_3 = \frac{(m_2 w_2)}{100} - (m_1 - m_2)$$

- where
- m_3 = mass of mixing water to be added (g)
 - m_2 = mass of dry material in test portion (g)
 - w_2 = target compaction moisture content (%)

m_1 = mass of wet material in test portion (g)

- 5.5 Measure out the required mass of mixing water to be added (m_3).
- 5.6 Spread out the test portion on the mixing tray, add the mixing water to the material in small increments and combine thoroughly to form a uniform mixture (Note 8.4).
- 5.7 After mixing, place the mixture into a curing container. Cure for the time specified for the material (refer to Table 2) (Note 8.5). Use the hygroscopic moisture content (w_1) determined in Step 4.3.1 and the target compaction moisture content (w_2) determined in Step 5.3 to determine the curing time. Record the times of commencement and completion of the curing.
- 5.8 Using the procedure detailed in Test Method Q145A, calculate the mass of wet mixture per layer, determine the achieved compaction moisture content, then mould three specimens, compacting each in three equal layers.

6 Calculations

Calculations shall be as follows:

- 6.1 Using the achieved compaction moisture content, calculate the achieved compacted dry density and the achieved relative compaction for each specimen as detailed in Test Method Q145A.

7 Reporting

The following shall be reported:

- 7.1 General information:
 - a) source and description of the material, and
 - b) curing details including duration, temperature, relative humidity and moist and/or dry curing conditions.
- 7.2 For laboratory mixed material:
 - a) target compacted dry density, achieved compacted dry density, achieved relative compaction, target compaction moisture content, achieved compaction moisture content and achieved percentage of OMC as detailed in Test Method Q145A, and
 - b) compaction standard used, that is standard or modified.
- 7.3 The number of this test method, that is Q251C.

8 Notes on method

- 8.1 A material height gauge which allows monitoring of the height of compacted material relative to the top of a Mould A can be made from a steel bar and marked as follows:
 - 8.1.1 Commencing at one end of the bar, measure and mark distances of:
 - a) 5.5 mm for the upper range of the third layer
 - b) 33.5–38.5 mm for the acceptable range of the second layer, and
 - c) 72.5–77.5 mm for the acceptable range of the first layer.
 - 8.1.2 Mark the face with the appropriate mould size (A).

- 8.2 A test portion mass of 10 kg will be adequate for determining UCS for most materials. A gravel may require up to 12 kg while it may be possible to use as low as 8 kg for a heavy clay.
- 8.3 Usually four test portions are sufficient for each Q142A or Q142B test. For most materials, 2.5 kg should be adequate for each test portion mass. A gravel may require up to 3 kg while it may be possible to use as low as 2 kg for a heavy clay.
- 8.4 It is important to mix water thoroughly into the material and the test portion cured for sufficient time to allow the even distribution of water throughout the material.
- 8.5 Where the liquid limit has not been determined as detailed in Test Methods Q104A, Q104D or source records, use an estimate based on a visual / tactile assessment for estimating the curing time for the UCS test portions.

Table 1 – Dimensions and tolerances of compaction apparatus

Apparatus	Dimension	Tolerance
Mould A		
Internal diameter (mm)	105.0	± 0.5*
Height (mm)	115.5	± 0.5*
Nominal volume (cm ³)	1000	± 15
Rammer		
Diameter; round foot (mm)	50	± 0.4
Area of rammer (mm ²)	1964	± 31
Standard Compaction (Mould A)		
Drop (mm)	300	± 2.0 ‡
Mass (kg)	2.7	± 0.01 ‡
Energy delivered per blow (J)	7.94	± 0.08
Number of layers	3	
Number of blows/layer	25	
Energy input (kJ/m ³)	596	± 14
Modified Compaction (Mould A)		
Drop (mm)	450	± 2.0 ‡
Mass (kg)	4.9	± 0.01 ‡
Energy delivered per blow (J)	21.62	± 0.08
Number of layers	3	
Number of blows/layer	42	
Energy input (kJ/m ³)	2703	± 60

* Either but not both of the tolerances may be exceeded provided that the specified tolerance on volume is not exceeded.

‡ Either but not both of the tolerances may be exceeded provided that the appropriate tolerance on energy delivered per blow is not exceeded.

Table 2 – Minimum curing time

Plasticity	Condition of prepared test portion	
	Sample moisture content within $w_2 \pm 2\%$	Sample moisture content outside $w_2 \pm 2\%$
Sands and granular material*	2 h	2 h
Low ($LL \leq 35\%$)	24 h	48 h
Medium ($35 < LL \leq 50\%$)	48	96 h (4 days)
High ($LL > 50\%$)	96 h (4 days)	168 h (7 days)

* These can include naturally occurring sands and gravels, crushed rocks, manufactured materials and recycled material blends with a fines (< 0.075 mm) content typically less than 12% and low plasticity.

w_2 = target compaction moisture content.

Test Method Q252: Plastic properties of a soil

1 Source

This procedure was developed in-house using information contained within technical references.

2 Scope

This method describes the procedure for determining the plastic properties of soils.

The weighted plasticity index (WPI) is defined as the product of the plasticity index (PI) of a soil and the percentage of the soil finer than 0.425 mm.

3 Procedure

The procedure shall be as follows

- 3.1 Determine the plasticity index of a soil as detailed in Test Method AS 1289.3.3.1 or the cone plasticity index of a soil as detailed in Test Method AS 1289.3.3.2.
- 3.2 Determine the percent passing the 0.425 mm sieve as detailed in Test Method AS 1289.3.6.1 or AS 1289.3.6.3.

4 Calculations

Calculations shall be as follows:

- 4.1 Calculate the weighted plasticity index as follows:

$$WPI = I_p P_{0.425}$$

where WPI = weighted plasticity index of the soil (%)
 I_p = plasticity index of the soil (%)
 $P_{0.425}$ = percentage passing the 0.425 mm sieve

or

$$WPI = I_{CP} P_{0.425}$$

where WPI = weighted plasticity index of the soil (%)
 I_{CP} = cone plasticity index of the soil (%)
 $P_{0.425}$ = percentage passing the 0.425 mm sieve

5 Reporting

The following shall be reported:

- 5.1 Plasticity index or cone plasticity index.
- 5.2 Percent passing the 0.425 mm sieve.
- 5.3 Weighted plasticity index to the nearest 1%.
- 5.4 The number of this test method, that is Q252.

Test Method Q253: Particle size and shape properties of a soil

1 Source

This procedure was developed in-house using information contained within technical references.

2 Scope

This method describes the procedure for determining the particle size and shape properties of soils.

3 Procedure

The procedure shall be as follows:

- 3.1 Determine the particle size distribution of a soil as detailed in Test Methods AS 1289.3.6.1 and if required, AS 1289.3.6.3.

4 Calculations

Calculations shall be as follows:

- 4.1 Calculate the fines ratio as follows:

$$FR = \frac{P_{0.075}}{P_{0.425}}$$

- where FR = fines ratio
- $P_{0.075}$ = percent passing the 0.075 mm sieve
- $P_{0.425}$ = percent passing the 0.425 mm sieve

- 4.2 If the coefficient of uniformity or the coefficient of curvature are required, calculate the following particle size values:

- a) Calculate the particle size where 60% of particles are smaller as follows:

$$D_{60} = 10^{\left(\log D_2 + \frac{(60 - P_2)(\log D_1 - \log D_2)}{P_1 - P_2} \right)}$$

- where D_{60} = particle size where 60% of particles are smaller (mm)
- log = logarithm to base 10
- D_2 = largest sieve with less than 60% passing (mm)
- P_2 = percent passing D_2
- D_1 = smallest sieve with more than 60% passing (mm)
- P_1 = percent passing D_1

b) Calculate the particle size where 10% of particles are smaller as follows:

$$D_{10} = 10^{\left(\log D_2 + \frac{(10 - P_2)(\log D_1 - \log D_2)}{P_1 - P_2} \right)}$$

- where D_{10} = particle size where 10% of particles are smaller (mm)
 \log = logarithm to base 10
 D_2 = largest sieve with less than 10% passing (mm)
 P_2 = percent passing D_2
 D_1 = smallest sieve with more than 10% passing (mm)
 P_1 = percent passing D_1

c) Calculate the particle size where 30% of particles are smaller as follows:

$$D_{30} = 10^{\left(\log D_2 + \frac{(30 - P_2)(\log D_1 - \log D_2)}{P_1 - P_2} \right)}$$

- where D_{30} = particle size where 30% of particles are smaller (mm)
 \log = logarithm to base 10
 D_2 = largest sieve with less than 30% passing (mm)
 P_2 = percent passing D_2
 D_1 = smallest sieve with more than 30% passing (mm)
 P_1 = percent passing D_1

4.3 Calculate the coefficient of uniformity as follows:

$$C_u = \frac{D_{60}}{D_{10}}$$

- where C_u = coefficient of uniformity
 D_{60} = particle size where 60% of particles are smaller
 D_{10} = particle size where 10% of particles are smaller

4.4 Calculate the coefficient of curvature as follows:

$$C_c = \frac{D_{30}^2}{D_{10} D_{60}}$$

- where C_c = coefficient of curvature

D_{30} = particle size where 30% of particles are smaller

D_{10} = particle size where 10% of particles are smaller

D_{60} = particle size where 60% of particles are smaller

4.5 If required, calculate the grading coefficient as follows:

$$G_c = \frac{(P_{26.5} - P_{2.00})P_{4.75}}{100}$$

where G_c = grading coefficient (Note 9.1)

$P_{26.5}$ = percent passing the 26.5 mm sieve

$P_{2.00}$ = percent passing the 2.00 mm sieve

$P_{4.75}$ = percent passing the 4.75 mm sieve

5 Reporting

The following shall be reported:

- 5.1 Fines ratio to the nearest 0.01 units.
- 5.2 Coefficient of uniformity to the nearest 0.1 for results 1 or greater and to the nearest 0.01 for results less than 1.
- 5.3 Coefficient of curvature to the nearest 0.1 for results 1 or greater and to the nearest 0.01 for results less than 1.
- 5.4 Grading coefficient to the nearest 0.1 units.

6 Notes on method

- 6.1 The grading coefficient is defined in the *Unsealed Roads Manual*, Australian Road Research Board, 3rd Edition, March 2009, Table 3.7.

Test Method Q257: Modified compression test for pavement materials – Texas triaxial

1 Source

This method is based on Road and Maritime Services Test Method *T171: Modified Texas triaxial compression test for pavement materials*. It differs from this method by minor procedural variations, minor changes to reporting requirements and terminology used in Transport and Main Roads test methods.

2 Scope

This test method describes the procedure to determine the shearing resistance of pavement materials, that is, base and sub-base. It was originally based on the Texas Highway Department's Test Method *Tex 117-E-Triaxial Compression Tests for Disturbed Soils and Base Materials*.

The test applies an axial load to cylindrical specimens supported by various known normal stresses until failure occurs. The test is performed on the portion passing the 37.5 mm test sieve. Unless otherwise specified, test specimens are prepared at standard compaction with the following properties:

- 83 to 87% of Optimum Moisture Content (OMC), and
- 99 to 101% of Maximum Dry Density (MDD).

3 Apparatus

Where appropriate, the working tolerances of particular apparatus are contained in Table 1.

The following apparatus is required:

- 3.1 Loading equipment capable of applying a vertical load up to 50 kN, normal confining pressure of up to 100 kPa and able to deform the sample at a rate of 4.1 mm / minute consisting of the following:
 - a) Device for vertical load measurement conforming with the requirements of AS 2193 for Class A testing machines.
 - b) Vertical displacement measuring device conforming with the requirements of ISO 463 or JIS B 7503 with a scale interval of 0.1 mm and a minimum travel of 20 mm, or a displacement transducer of at least equal performance.
 - c) Axial cell with dimensions approximately 170 mm internal diameter and 300 mm height, fitted with air connection and tubular rubber membrane approximately 153 mm diameter.
 - d) Normal confining pressure controllable within 5 kPa of the required applied pressure using a device that meets the accuracy requirements of AS 1349 for industrial gauges.
 - e) A plunger with a spherical end.
 - f) Computer and data acquisition equipment capable of recording the data from the load and displacement to the required accuracy. Where an electronic data acquisition system is used to directly capture, record and analyse test data, it requires a precision at least equivalent to the apparatus replaced.
- 3.2 End blocks, two hollow metal end plate blocks of approximately 153 mm diameter.
- 3.3 Bearing plate, with spherical seat.

- 3.4 Air curing environment such as, sealed or moulded specimens, capable of maintaining a temperature of $23 \pm 2^\circ\text{C}$.
- 3.5 Calliper, capable of measuring the length and diameter of each specimen, with a resolution of at least 0.1 mm and conforming with the requirements of ISO 13385-1 or JIS B 7507.
- 3.6 Vacuum pump.
- 3.7 Compressed air supply with pressure regulating valve.
- 3.8 Mould assembly, comprising a cylindrical metal mould having an internal diameter of 153 ± 0.5 mm and internal effective height of 203 ± 0.5 mm. With a detachable baseplate and a removable collar having a height of about 50 mm, both of which can be firmly attached to, or removed from, the mould.
- 3.9 Rammer, a metal rammer having a 50 mm diameter face, a drop mass of 2700 g and a drop height of 300 mm. A mechanical compactor may be used provided the essential dimensions are adhered to and the rammer has a free vertical fall of the correct height with blows being uniformly distributed and in keeping with any prescribed cycle of blows. The design of the compactor allows attachment of the mould to a level and rigid support base. The difference between maximum dry density determinations using manual or mechanical compaction is less than 2%.
- 3.10 Sample extruder, such as a jack, lever frame or other device suitable for extracting compacted soil specimens from the mould.
- 3.11 Balance of suitable capacity, with a resolution of at least 1 g and with a limit of performance within the range of ± 5 g.
- 3.12 Mixing apparatus, such as steel tray, trowel, spatulas, scoop and water spray.
- 3.13 Metal dishes.
- 3.14 Sealable containers, suitable for curing soil samples.
- 3.15 Material height gauge. A flat steel bar, about 250 mm long, 25 mm wide and 1-3 mm thick is satisfactory (Note 11.1).
- 3.16 Sealable airtight containers suitable for curing moistened test samples.

4 Definitions

The following definitions shall apply:

- 4.1 Axial load – the sum of the applied load and the dead load and is applied along the vertical axis of the specimen.
- 4.2 Axial strain – the axial deformation of the specimen divided by the original height.
- 4.3 Compressive modulus – the slope of the straight-line portion of the axial stress-strain curve.
- 4.4 Normal stress – the force supplied by air in the cell and applied in a radial direction to the cylindrical specimen.
- 4.5 Mohr's diagram – a graphical construction used in analysing data from tests on bodies acted on by combined forces in static equilibrium.
- 4.6 Mohr's circle of failure – a stress circle constructed from principal stresses acting on the specimen at failure.

- 4.7 Mohr's envelope of failure – the common tangent to a series of failure circles constructed from different pairs of principal stresses required to fail the material.

5 Materials

The following material is required:

- 5.1 Mould oil, a light oil such as Caltex Mould Oil 20 (Note 11.2).

6 Sample preparation

The sample shall be prepared as follows:

- 6.1 Prepare the bulk sample as detailed in Section 5 of Test Method Q101 to produce a representative subsample of appropriate size.
- 6.2 Screen the subsample on the 37.50 mm sieve as detailed in Test Method Q101, Steps 6.2.1 to 6.2.3, ensuring that any aggregations are broken up to pass a 9.50 mm sieve. Discard any material retained on the 37.5 mm sieve and thoroughly remix the material passing the 37.5 mm sieve.
- 6.3 Prepare at least three compaction test portions and a single test portion for determining hygroscopic moisture content (W_1) as detailed in Test Method Q101, Steps 6.2.4 to 6.2.6. Each compaction test portion must be of sufficient quantity to mould a test specimen and provide a subsample for determining the compaction moisture content (Note 11.3).
- 6.4 Determine the soil particle density (ρ_{st}) of the test portion prepared in Step 4.4 c) as detailed in Test Method AS 1289.3.5.1.
- 6.5 If the OMC and MDD are not known, prepare and test additional test portions as detailed in Test Method Q142A (Note 11.4) using the specified curing time for the material (Table 2).

7 Compaction of specimens

7.1 Curing

- 7.1.1 For each test portion calculate the dry mass of material as follows:

$$m_2 = \frac{100m_1}{100 + w_1}$$

where m_2 = mass of dry material in test portion (g)
 m_1 = mass of wet material in test portion (g)
 w_1 = hygroscopic moisture content (%)

- 7.1.2 Using the procedure detailed in Test Method Q145A, calculate the target compaction moisture content (W_2) to achieve the nominated relative compaction and nominated relative moisture content.

7.1.3 For each test portion calculate the mass of mixing water to be added as follows:

$$m_3 = \frac{(m_2 w_2)}{100} - (m_1 - m_2)$$

where m_3 = mass of mixing water to be added (g)
 m_2 = mass of dry material in test portion (g)
 w_2 = target compaction moisture content (%)
 m_1 = mass of wet material in test portion (g)

7.1.4 Measure out the required mass of mixing water to be added (m_3).

7.1.5 Spread out the test portion on the mixing tray, add the mixing water to the material in small increments and combine thoroughly to form a uniform mixture (Note 11.5).

7.1.6 After mixing, place the mixture into a curing container. Cure for the time specified time for the material (refer to Table 2) (Note 11.6). Use the hygroscopic moisture content (w_1) determined in Step 5.1.4 and the target compaction moisture content (w_2) determined in Step 5.2.2 to determine the curing time. Record the times of commencement and completion of the curing.

7.2 Compaction

7.2.1 Undertake all necessary calculations, mould preparation and compaction of the test portion as detailed in Test Method Q145A. The test portion will be compacted in five layers.

7.2.2 Where the specimen contains more than 10% RAP, place the moulded specimen in an air curing environment and maintain a temperature of $23 \pm 2^\circ\text{C}$ for seven days to allow for the dissipation of pore pressures.

7.2.3 Where specimens are not tested immediately, take steps to ensure the moisture content remains constant. For example, cover the top of the specimens with plastic film and hold in place using the compaction collar. Where specimens are removed from the mould they may be wrapped in damp paper or cloth and sealed with plastic film.

7.2.4 Place the lower metal end plate block under the mould and eject the compacted specimen from the mould by sample extruder.

7.2.5 Measure the length (h_s) and diameter (d_s) of the specimen to the nearest 0.5 mm (Note 11.7).

7.2.6 Determine the combined mass of the upper metal end plate block and bearing plate (M_D).

7.2.7 Place the upper metal end plate block on top of the specimen and enclose the specimen in the Texas triaxial cell.

8 Testing of specimens

The Texas triaxial testing shall be performed as follows:

8.1 Use normal stresses (σ_3) of 10 kPa

- 8.2 Place the Texas triaxial cell and specimen on the load frame platen and centre the specimen with upper and lower metal end blocks in place on the platen.
- 8.3 Place and centre the bearing plate on the upper end block.
- 8.4 Raise the platen, align and seat the plunger into the spherical seat of the bearing plate.
- 8.5 Apply just enough load to obtain a perceptible reading on the load gauge and initialise the reading.
- 8.6 Connect the air-line to the Texas triaxial cell and apply and hold the specified normal stress to the specimen.
- 8.7 Attach the displacement measuring device and initialise the reading.
- 8.8 Apply the load at a deformation rate of 4.1 mm per minute. Record the load gauge (P_i) at each 0.5 mm increment of deformation (d_i) of the specimen. Continue loading until either the specimen fails, or 20.0 mm of deformation occurs. Stop the test and record the maximum load (P_{gauge}) (Note 11.8).
- 8.9 Remove the upper metal end plate block and bearing plate.
- 8.10 Remove the specimen from the Texas triaxial cell.
- 8.11 Break up the specimen and determine the moisture content (W_a) of the whole specimen in accordance with Test Method AS 1289.2.1.1.
- 8.12 Compact additional specimens as detailed in Steps 7.2.1 to 7.2.6 until specimens have been tested at the three additional normal stresses (σ_3) of 30, 60 and 90 kPa as detailed in Steps 8.2 to 8.11.

9 Calculations

Calculations shall be as follows:

- 9.1 Calculate the achieved compacted dry density and achieved relative compaction as detailed in Test Method Q145A.
- 9.2 Compare the achieved compacted dry density and target compacted dry density. If they differ by more than 0.02 t/m³, repeat the point using a new subsample.
- 9.3 Calculate the achieved compaction moisture content and the achieved percentage of OMC as detailed in Test Method Q145A.
- 9.4 Compare the achieved compaction moisture content and the target compaction moisture content. If they differ by more than 0.2%, repeat the point using a new subsample.

9.5 Strain and stress

- 9.5.1 Calculate the axial failure strain for each specimen as follows:

$$S = \frac{d_{\text{fail}}}{h}$$

where S = axial failure strain (%)

d_{fail} = total vertical axial deformation at failure (mm)

h_s = height of original specimen (mm)

9.5.2 Calculate the total vertical load at failure as follows (Note 11.9):

$$P_{\max} = P_{\text{gauge}} + \frac{(9.81M_D)}{1000}$$

where P_{\max} = total vertical load on the specimen at failure (kN)

P_{gauge} = maximum applied load measured by the load gauge (kN)

M_D = combined mass of the upper metal plate block and the bearing plate (g)

9.5.3 Calculate the corrected maximum vertical stress at failure strain as follows:

$$\sigma_1' = \frac{4P_{\max}}{\pi d_s^2} (1-S)$$

where σ_1' = corrected maximum vertical stress at failure (kPa)

P_{\max} = total vertical load on the specimen at failure (kN)

S = axial failure strain (%)

d_s = diameter of the end of the cylindrical specimen at the beginning of the test (m²)

9.6 Mohr's envelope of failure

9.6.1 Each specimen tested provides one pair of values (σ_1' , σ_3'). Calculate the co-ordinates of the point of maximum shear stress (p' , q') for each Mohr's circle as follows (Note 11.10):

$$p' = \frac{(\sigma_1' + \sigma_3')}{2}$$

$$q' = \frac{(\sigma_1' - \sigma_3')}{2}$$

where p' = normal stress at the centre of Mohr's circle (kPa)

q' = maximum shearing stress (kPa)

σ_1' = corrected maximum vertical stress at failure (kPa)

σ_3' = normal stress (kPa)

- 9.6.2 Determine the linear correlation of the failure envelope based on the maximum shear stress points on the Mohr's diagram. Compute the shear stress intercept (a), angle of slope (α) and the correlation coefficient (r) as follows:

$$a = \frac{\sum p_i'^2 \sum q_i' - (\sum p_i')(\sum p_i' q_i')}{n \sum p_i'^2 - (\sum p_i')^2}$$

$$\alpha = \tan^{-1} \left[\frac{n \sum p_i' q_i' - (\sum p_i')(\sum q_i')}{n \sum p_i'^2 - (\sum p_i')^2} \right]$$

$$r = \frac{n \sum p_i' q_i' - \sum p_i' \sum q_i'}{\sqrt{[n \sum p_i'^2 - (\sum p_i')^2] \cdot [n \sum q_i'^2 - (\sum q_i')^2]}}$$

- where
- a = shear stress intercept of the linear correlation on the Mohr's diagram (kPa)
 - α = angle of slope of the linear correlation on the Mohr's diagram ($^\circ$)
 - r = correlation coefficient
 - p' = normal stress at the centre of Mohr's circle (kPa)
 - q' = maximum shearing stress (kPa)
 - i = the i^{th} result for test series numbered from 1 to n
 - n = number of (p' , q') pair (that is, conforming tests)

- 9.6.3 If $r < 0.99$, examine the Mohr's circles and investigate the specimen moulding details, that is, moisture content and dry density, to determine whether a result can be justifiably removed from the analysis. Where a result is removed from the analysis note the justification and repeat Step 9.6.2.

- 9.6.4 Repeat the whole series if the resulting analysis has an $r < 0.99$.

- 9.6.5 Calculate the angle of shear resistance (ϕ_u) and apparent cohesion of the material (C_u) as follows:

$$\phi_u = \sin^{-1}(\tan \alpha)$$

$$C_u = \frac{a}{\cos(\phi_u)}$$

- where
- ϕ_u = angle of shear resistance ($^\circ$)
 - C_u = apparent cohesion of the material (kPa)
 - α = angle of slope of the linear correlation on the Mohr's diagram ($^\circ$)
 - a = shear stress intercept of the linear correlation on the Mohr's diagram (kPa)

9.7 Mean compressive modulus

9.7.1 The compressive modulus for each test carried out is determined as follows:

- a) Calculate the values and plot the axial stress (σ') and axial strain (S) relationship for a specimen.
- b) Calculate the compressive modulus as the slope of the linear section of the stress-strain relationship. However, if the stress-strain relationship is not linear, the compressive modulus is the slope of the straight line joining the point of zero axial strain to the point on the plot corresponding to 0.75% of the maximum axial strain (S).
- c) Repeat Steps 9.7.1 a) to b) for each specimen in the series.

9.7.2 The compressive modulus for each series of tests is the average value of the compressive moduli from each test.

9.8 Classification of Material

9.8.1 Plot the Mohr's envelope of failure $\tau_u = C_u + \sigma_n \tan(\phi_u)$ on the Texas triaxial classification chart (refer to RMS Test Method T171 Appendix A).

9.8.2 Classify the material as the Texas classification that is approximately tangential to the failure envelope. When the envelope of the failure falls between Texas classes, interpolate the classification to the nearest one-tenth of a classification (refer to RMS Test Method T171 Appendix A.1).

9.9 Interpolation of Texas Classification Number

9.9.1 When the envelope of failure is located within a Texas Classification, the classification number is to be interpolated using the graphical procedure in RMS Test Method T171 Appendix A.2.

10 Reporting

The following shall be reported:

10.1 For the sample:

- a) angle of shearing resistance (ϕ_u) to nearest 0.1°
- b) apparent cohesion (C_u) to nearest 0.1 kPa
- c) mean compressive modulus to nearest 0.1 MPa
- d) mean achieved relative compaction to nearest 0.1%
- e) mean achieved percentage of OMC to nearest 1%
- f) percent retained on 37.5 mm test sieve to nearest 1%
- g) Texas classification number to nearest 0.1
- h) maximum dry density to nearest 0.01 t/m³
- i) optimum moisture content to nearest 0.5%
- j) nominated dry density, target moisture content, nominated relative compaction and nominated relative moisture content as detailed in Test Method Q145A.

- 10.2 The values of the parameters below, for each specimen, for the following normal stresses; 10, 30, 60 and 90 kPa:
- a) compressive modulus to nearest 0.1 MPa
 - b) the achieved dry density, achieved moisture content, achieved relative compaction and achieved percentage of OMC as detailed in Test Method Q145A
 - c) moisture content after testing (W_a) to nearest 0.1%.
- 10.3 Any comment where removal of a result in determining the correlation in Step 6.2(c) is undertaken, and
- 10.4 The number of this test method, that is Q257.

11 Notes on method

- 11.1 A material height gauge, which allows monitoring of the height of compacted material relative to the top of a Texas Triaxial mould, can be made from a steel bar and marked as follows:
- 11.1.1 Commencing at one end of the bar, measure and mark distances of:
- a) 5.5 mm for the upper range of the fifth layer
 - b) 40.5 mm and 45.5 mm for the acceptable range of the fourth layer
 - c) 81.5 mm and 86.5 mm for the acceptable range of the third layer
 - d) 122.5 mm and 127.5 mm for the acceptable range of the second layer, and
 - e) 162.5 mm and 167.5 mm for the acceptable range of the first layer.
- 11.1.2 Mark the face with the appropriate mould size (T).
- 11.2 Before handling oils, the operator should consult the relevant SDS.
- 11.3 A test portion mass of 10 kg will be adequate for determining Triaxial characteristics for most materials. A gravel may, require up to 12 kg while it may be possible to use as low as 9.5 kg for a heavy clay.
- 11.4 Usually four test portions are sufficient for each Q142A or Q142B test. For most materials, 2.5 kg should be adequate for each test portion mass. A gravel may, require up to 3 kg while it may be possible to use as low as 2 kg for a heavy clay.
- 11.5 It is important to mix water thoroughly into the material and the test portion cured for sufficient time to allow the even distribution of water throughout the material.
- 11.6 Where the liquid limit has not been determined as detailed in Test Methods Q104A or Q104D, source records use an estimate based on a visual/tactile assessment for estimating the curing time for the CBR test portions.
- 11.7 For fragile materials the internal dimensions of the mould may be measured to avoid damaging the compacted specimen.
- 11.8 Failure is reached when the load gauge readings remain constant or decrease with further increments of deformation.
- 11.9 A correction is necessary because the area of the cross-section increases as the specimen is deformed. The assumption is that the specimen deforms at constant volume.
- 11.10 Usually there will be 4 maximum shear stress points (p' , q') corresponding to the four normal stresses of 10, 30, 60 and 90 kPa.

11.11 Only one point may be removed from the analysis.

Table 1 – Dimensions and tolerances for suitable moulds and rammer

Apparatus	Dimension	Tolerance
CBR machine		
Sample deformation rate (mm/min)	4.1	± 0.5
Mould		
Internal diameter (mm)	153.0	± 0.5 *
Effective height (mm)	203.0	± 0.5 *
Nominal volume (cm ³)	3730	± 25
Rammer		
Diameter; round foot (mm)	50	± 0.4
Area of rammer (mm ²)	1964	± 31
Drop (mm)	300	± 2.0 ‡
Mass (kg)	2.7	± 0.01 ‡

*Either but not both of the tolerances may be exceeded provided the specified tolerance on volume is not exceeded.

‡ Either but not both of the tolerances may be exceeded provided the appropriate tolerance on energy delivered per blow is not exceeded.

Table 2 – Minimum curing time

Plasticity	Condition of prepared test portion	
	Sample moisture content within $W_2 \pm 2\%$	Sample moisture content outside $W_2 \pm 2\%$
Sands and granular material*	2 h	2 h
Low (LL ≤ 35%)	24 h	48 h
Medium (35 < LL ≤ 50%)	48	96 h (4 days)
High (LL > 50%)	96 h (4 days)	168 h (7 days)

* These can include naturally occurring sands and gravels, crushed rocks and manufactured materials with fines (< 0.075 mm) content typically less than 12% and low plasticity.

W_2 = target compaction moisture content.

Test Method Q160: Water repellency of soil

1 Source

This method applies the principles of the water drop penetration time (WDPT) test developed by Bessel D. van't Woudty, 1959 and classifies the soils wettability using a classification developed by Louis W. Decker, 1988.

2 Scope

This method sets out the procedure for determining water repellency (hydrophobicity) by using the water drop penetration time (WDPT1) test.

A measured amount of water in droplets is applied to a dried, smoothed, levelled and uncompacted soil surface and the time that lapses before the droplets are absorbed is determined.

3 Apparatus

The following apparatus is required:

- 3.1 Oven of suitable capacity, capable of heating a sample of soil to $40 \pm 2^\circ\text{C}$.
- 3.2 Tray, suitable size for drying soil.
- 3.3 Standard medicine dropper.
- 3.4 Stopwatch.

4 Materials

The following materials are required:

- 4.1 Deionised or distilled water.

5 Procedure

The procedure shall be as follows:

- 5.1 Obtain a test portion of soil with a minimum volume of 300 mL.
- 5.2 Place the test portion on a tray and level to a smooth but uncompacted surface.
- 5.3 Place the test portion and tray in the oven and dry to a constant mass (Note 7.1).
- 5.4 Remove the test portion and tray from the oven and allow to cool to room temperature.
- 5.5 Using the standard medicine dropper, apply three water droplets to the surface of the from the test portion.
- 5.6 Determine the time it takes for the water to infiltrate (disappear) into the test portion and record as the water drop penetration time to the nearest second.

6 Reporting

Report the following:

- 6.1 Water drop penetration time to the nearest 1 second.
- 6.2 Water repellence class value (Table 1).
- 6.3 Water repellence rating description (if required).

7 Notes on method

7.1 Constant mass is achieved when, after the initial drying period, successive drying over 1 h periods gives rise to a weight loss of not more than 1% of the initial weight loss.

Table 1 - Soil water repellency class

Class	WDPT (seconds)	Water repellence rating
0	< 5	wettable; non-water repellent
1	5 – 60	slightly water repellent
2	> 60	strongly water repellent

Test Method Q161: Field dispersion indicator test of soil - slaking

1 Source

This method is based on the procedure described in the *SOILpak – Southern Irrigators - Readers' Note – Part C. Diagnosis of Soil, Chapter C7. Slaking and Dispersion*; NSW Department of Primary Industry, 1999.

2 Scope

This method sets out the method for determining slaking of a soil. Slaking is the breakdown of soil aggregates into smaller fragments when placed in water.

Slaking indicates a soils resistance to erosion and how well it maintains its structure when wetted. Slaking is the breakdown of air-dry soil aggregates (> 2 – 5 mm) into smaller micro-aggregates (< 0.25 mm) when immersed in water. Slaking occurs when soil aggregates are not strong enough to withstand internal stresses caused by rapid water uptake as a result of swelling clay particles; trapped and escaping air in soil pores. Slaking results in detached soil particles that fill soil pores and cause surface sealing - reducing infiltration and plant available water; and increasing runoff and erosion (Note 8.1).

3 Apparatus

The following apparatus is required:

- 3.1 Clear petri dish or similar.

4 Materials

The following materials are required:

- 4.1 Deionised or distilled water.

5 Procedure

The procedure shall be as follows:

- 5.1 From the sample select three soil aggregates of 5 - 10 mm diameter.
- 5.2 If moist, air dry the aggregates.
- 5.3 Fill a petri dish with 5 mm of deionised or distilled water or at least enough water to cover the soil aggregates.
- 5.4 Carefully place the three soil aggregates into the water.
- 5.5 Do not knock, disturb or place the petri dish in a windy position.
- 5.6 Determine the class of slaking at 5 and 120 minutes for each aggregate using Table 1.

6 Calculations

Calculate the following:

- 6.1 The highest class value from the three aggregates at 120 minutes and record as the slaking class.

7 Reporting

Report the Slaking class.

8 Notes on method

8.1 The slaking classes have been adapted from Soil Quality indicators; USDA Natural Resources Conservation Services, 2008.

Table 1 - Slaking class

Class	Aggregate description at 5 min.	Aggregate description at 120 min.
0	no change	no change
1	slight edge breakdown	slight edge breakdown
2	collapses in pieces	collapses in pieces
3	collapses into finer < 2 mm pieces	collapses into finer < 2 mm pieces
4	complete breakdown	complete breakdown

Test Method Q162 – Field dispersion indicator test of soil - clouding

1 Source

This method is based on the procedure described in the *SOILpak – Southern Irrigators - Readers' Note – Part C. Diagnosis of Soil, Chapter C7. Slaking and Dispersion*; NSW Department of Primary Industry, 1999.

2 Scope

This method describes the procedure for determining clouding (dispersion) of soil. Clouding is the separation of individual clay particles when placed in water.

When a sodic (dispersive) soil comes into contact with non-saline water, water is drawn between the clay layers causing the clay to swell so that individual clay layers separate from the soil aggregate, this process is known as dispersion.

Dispersion describes the behaviour of clay particles separating from one another in a moist soil. Dispersion causes soil aggregates to breakdown resulting in the clogging of soil pores by the dispersed clay particles. This results in the swelling of clay platelets and the collapse of clay aggregates.

Dispersion is often seen as 'muddy' or 'milky' water in dams and surface and runoff water (Note 8.1).

3 Apparatus

The following apparatus is required:

- 3.1 Clear petri dish or similar.

4 Materials

The following materials are required:

- 4.1 Deionised or distilled water.

5 Procedure

The procedure shall be as follows:

- 5.1 From the sample select three soil aggregates of 5-10 mm diameter.
- 5.2 If moist, air dry the aggregates.
- 5.3 Fill a petri dish with 5 mm of deionised or distilled water or at least enough water to cover the soil aggregates.
- 5.4 Carefully place the three soil aggregates into the water.
- 5.5 Do not knock, disturb or place the petri dish in a windy position.
- 5.6 Determine the class of clouding at 5 and 120 minutes for each aggregate using Table 1.
- 5.7 Record the presence of a milky ring around the aggregates, even if the soil collapses or bubbles.

6 Calculations

Calculate the following:

- 6.1 The highest class value from the three aggregates at 120 minutes and record as the clouding class.

7 Reporting

Report the Clouding class.

8 Notes on method

- 8.1 Dispersion only occurs in non-saline water or rainwater; hence the use of deionised or distilled water for testing for clouding.

Table 1 - Clouding class

Class	Aggregate description at 5 min.	Aggregate description at 120 min.
0	no clouding	no clouding
1	slight milky ring	slight milky ring
2	moderate milky ring	moderate milky ring
3	strong milky ring	strong milky ring
4	complete dispersion very strong milky ring	complete dispersion very strong milky ring

Test Method Q181C: Effective angle of internal friction at constant volume conditions for granular materials – coarse grained

1 Source

This method is based on ASTM D3080: *Standard Test Method for Direct Shear Test of Soils under Consolidated Drained Conditions*. It differs from this standard in the procedures for sample compaction, determination of failure criteria and the calculation and reporting of the test parameters. It also includes other minor procedural variations.

2 Scope

This method describes the procedure for the determination of the effective angle of internal friction at constant volume conditions (ϕ'_{cv}) of a disturbed sample of backfill material used in reinforced soil structures when compacted into a shearbox in accordance with the specification. This method is applicable only to granular (coarse grained) materials, such as those used in reinforced soil structures, as these best exhibit constant volume conditions during shearing.

The effective angle of friction is derived by linear regression and expressed as a line of best fit through the origin with a minimum of three individual tests at different values of normal stress.

3 Apparatus

The following apparatus is required:

- 3.1 Direct shear machine consisting of:
 - a) Base frame, motorised gear box unit, loading screw and 'frictionless' tracks
 - b) Shearbox assembly, with a minimum shearbox size of 300 mm square (Figure 1)
 - c) Force measuring device, capable of measuring the expected range of force applied to the specimen during shear with a resolution of not greater than 5 N and conforming to the requirements of a Class B device in AS 2193
 - d) Two displacement measuring devices, capable of measuring the expected ranges of travel of the change in height of the specimen and the horizontal displacement during shear and conforming to the requirements of Table 1, and
 - e) Vertical loading system, consisting of either a load hanger with masses or a hydraulic loading system capable of applying the required loads to an accuracy of $\pm 1\%$ of the required normal load. A system using masses should be checked on a regular schedule. Other systems of applying force will require a force indicating device such as a load cell conforming to the requirements of a Class A device in AS 2193.
- 3.2 Compaction rammer, with approximately 50 mm square end to enable compaction of material into the corners of the shearbox.
- 3.3 Sieves, 19.0 and 9.50 mm conforming with ISO 3310.
- 3.4 Timer, capable of measuring 15 second intervals with a resolution not exceeding 1 second.
- 3.5 Calliper, suitable for measuring the dimensions of the shearbox with a resolution not exceeding 0.1 mm and conforming with ISO 13385-1 or JIS B 7507.

4 Specimen preparation

The specimen shall be prepared as follows:

- 4.1 Prepare the bulk sample as detailed in Section 5 of Test Method Q101 to produce a representative sample of appropriate size.
- 4.2 Further prepare the material by screening the sample on a 19.0 mm sieve as detailed in Test Method Q101, Steps 6.2.1 to 6.2.3 to provide a minimum of 120 kg of material. Ensure that any aggregations are broken up to pass a 9.50 mm sieve and any retained 19.0 mm (oversize) material is discarded.
- 4.3 Prepare test portions of the sample by splitting as detailed in Test Method Q101B.
- 4.4 Determine the maximum particle size of the sample and ensure the following conforms:
 - a) minimum width for square specimens is 300 mm
 - b) specimen thickness not less than 120 mm, and
 - c) minimum specimen width to thickness ratio of 2:1.
- 4.5 Prepare representative subsamples and determine the placement dry density (ρ_{di}) and placement moisture content (ω_p) of the shear test specimens in accordance with Table 2.
- 4.6 Once the placement density and moisture have been established, obtain a minimum of three shear test subsamples by the method of preparation indicated in Table 2. Ensure the subsamples are of sufficient mass to firstly, determine the moisture content and adjust if necessary and secondly, fill the shearbox when compacted to the required placement density (Note 8.1).
- 4.7 Store the subsamples in airtight containers to prevent moisture variation prior to compaction. Determine the moisture content of the shear test subsamples in accordance with Test Method AS 1289.2.1.1. If necessary, adjust the moisture contents of the subsamples to achieve the required placement moisture, as detailed in Table 2. After any moisture adjustment, return the material to airtight containers and allow it to stand for the required curing time prior to again determining the moisture content.

5 Procedure

The procedure shall be as follows:

5.1 Selection and calibration of shearbox

The shearbox required for the test shall be of sufficient size to accommodate the test specimen as determined in Step 4.4. Measure the length and width of the shearbox to the nearest 0.1 mm and determine the net calibrated volume (V_c) of the shearbox as detailed in Step 6.1.3.

5.2 Normal stresses

Select three separate normal stresses for the test, evenly spaced over the range 100 to 300 kPa. Calculate the required normal loads as detailed in Step 6.2.

5.3 Set-up of test specimen

- 5.3.1 Lightly grease the contact surfaces between the upper and lower sections of the shearbox and then secure the sections using the two locking screws. Place the assembly in the carriage.

Insert the two parting screws into the designated holes in the top half of the shearbox until contact is made with the bottom half.

5.3.2 Place the perforated, metal, gridded baseplate in the bottom of the shearbox assembly and seat it firmly. The teeth of the gridded plate must be aligned perpendicular to the direction of travel.

5.3.3 Form each test specimen in the shearbox in three layers as follows:

- a) Determine the wet mass of the specimen and the wet mass required for each layer as detailed in Steps 6.3.1 and 6.3.2 respectively.
- b) Measure the required wet mass for the first layer and place the wet soil evenly in the shearbox, taking care to avoid segregation of the larger gravel particles.
- c) Tamp the layer to the required thickness using the square ended compaction rammer, ensuring uniform density throughout.
- d) Scarify the top of the layer and repeat this process for the subsequent two layers, ensuring the compacted layer boundaries are positioned so they are not coincident with the shear plane defined by the shearbox halves (Note 8.2). Compaction of the final layer should also allow for the embedment of the upper gridded plate, the top of which should finish flush with the top of the shearbox.

5.3.4 Place the loading cap and ball on top of the upper gridded plate.

5.4 Consolidation of the test specimen

5.4.1 Assemble the normal loading system such that it makes contact with the loading ball and cap transferring minimal load to the test specimen. When positioning the yoke hanger to contact the loading ball and cap, ensure it is level and that load is not transferred to the specimen prior to commencing consolidation.

5.4.2 Position a vertical displacement measurement device on top of the yoke hanger and align it with the vertical axis of the specimen. Adjust the measurement device so that it is near the upper end of its range of travel. At this point, set the device to a convenient value and record the measurement as the initial (zero) vertical displacement reading (r_i) (Note 8.3).

5.4.3 Fill the carriage with demineralised water.

5.4.4 Transfer the normal load directly to the specimen. Monitor the vertical deformation of the specimen by reading the vertical displacement device at the following time intervals: 0.25, 0.5, 1, 2, 4, 9, 16, 36, 64, 100 and 121 minutes from commencement of loading. Take readings for a minimum of 2 hours or until primary consolidation is substantially complete.

5.4.5 Plot vertical displacement against the square root of time and determine t_{100} by:

- a) Approximating the initial part of the curve by a straight line and extrapolating this line back to $t = 0$. The corresponding displacement represents 0 per cent primary consolidation.

- b) A second straight line is then drawn through this point so that the abscissa of the line is 1.15 times the abscissa of the straight line approximation of the initial part of the curve. The intersection of the new line with the displacement/square root of time curve corresponds to 90 per cent primary consolidation. The displacement at 100 per cent primary consolidation is one-ninth more than the difference in displacements between 0 and 90 per cent consolidation (Figure 2) (Note 8.4).

5.4.6 Calculate the time to failure (in minutes) as detailed in Step 6.5.1.

5.4.7 Calculate the rate of horizontal displacement in mm/minute as detailed in Step 6.5.3. The rate of displacement to be used during shearing is to be the lesser of this calculated value or 1 mm/minute.

5.5 Shearing of the test specimen

5.5.1 Advance the drive on the direct shear machine so that the upper half of the shearbox assembly contacts the load measuring device and apply a slight seating load. Set the load measuring device to zero.

5.5.2 Set the horizontal displacement device to the zero displacement position and record the initial horizontal displacement reading (ℓ_i).

5.5.3 Record the reading on the vertical displacement device as the initial (zero) reading immediately prior to shear (r_f).

5.5.4 Select a rate of travel on the direct shear machine to produce the calculated rate of horizontal displacement.

5.5.5 Remove any locking screws from the shearbox prior to shear and slightly separate the two box halves to ensure there is no contact between them during shearing (Note 8.5).

5.5.6 Commence shearing. As a minimum, record readings of shear load, vertical and horizontal displacement for every 0.2% of horizontal strain, that is, every 0.5 mm for the 300 mm box. Plot both shear load (P) and vertical displacement readings (r) against horizontal displacement (ℓ). Continue to take readings until the vertical displacement and shear load become constant or a minimum horizontal displacement of 15% of the length of the shearbox is attained.

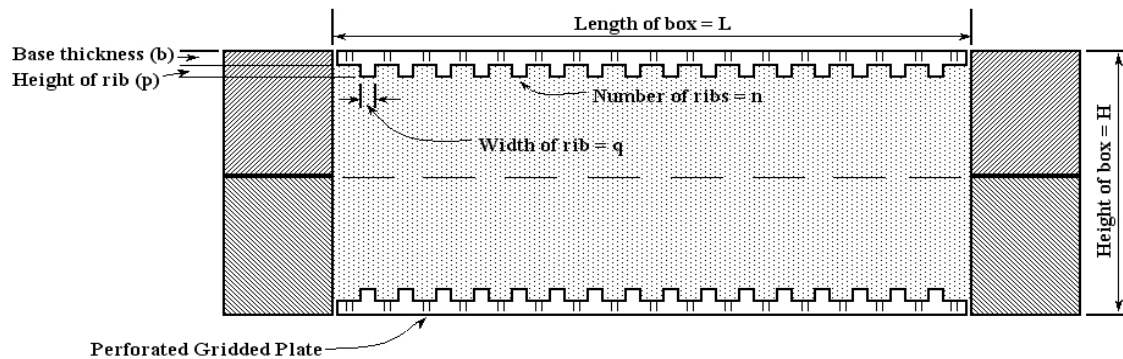
5.5.7 After completion of the test, remove the specimen from the shearbox and determine its moisture content (ω_f) in accordance with Test Method AS 1289.2.1.1.

5.5.8 Repeat Steps 5.3 to 5.5.7 for two other values of normal stress as selected in Step 5.2.

6 Calculations

Calculations shall be as follows:

6.1 Shearbox dimensions



6.1.1 Calculate the mean thickness of each gridded plate as follows:

$$\overline{h_p} = b + \frac{npq}{L}$$

- where
- $\overline{h_p}$ = mean plate thickness (mm)
 - b = thickness of base (mm)
 - n = number of ribs
 - p = height of rib (mm)
 - q = width of rib (mm)
 - L = length of shearbox (mm)

6.1.2 Calculate the net calibrated height of the shearbox as follows:

$$h_c = \left(H - (\overline{h_{p1}} + \overline{h_{p2}}) \right)$$

- where
- h_c = net calibrated height of shearbox (mm)
 - H = total height of shearbox (mm)
 - $\overline{h_{p1}}$ = mean thickness of bottom gridded plate (mm)
 - $\overline{h_{p2}}$ = mean thickness of top gridded plate (mm)

6.1.3 Calculate the net calibrated volume and cross-sectional area of the shearbox as follows:

$$V_c = h_c A$$

where V_c = net calibrated volume of shearbox (mm³)
 h_c = net calibrated height of shearbox (mm)
 A = cross-sectional area of the shearbox (mm²)

$$A = LW$$

where A = cross-sectional area of the shearbox (mm²)
 L = length of shearbox (mm)
 W = width of shearbox (mm)

6.2 Applied normal load

Calculate the normal load to be applied for each normal stress as follows:

$$F_n = \frac{\sigma_n A}{10^{-6}}$$

where F_n = normal load (kN)
 σ_n = required normal stress (kPa)
 A = cross-sectional area of the shearbox (mm²)

6.3 Mass of test specimen

6.3.1 Determine the wet mass of each test specimen as follows:

$$m_w = \frac{\rho_{di} V_c (100 + \omega_p)}{100,000}$$

where m_w = wet mass of specimen (g)
 ρ_{di} = required placement dry density (t/m³)
 V_c = net calibrated volume of shearbox (mm³)
 ω_p = required placement moisture content (%)

6.3.2 Calculate the wet mass of soil for a layer as follows:

$$m_{w1} = \frac{m_w h_1}{h_c}$$

where m_{w1} = wet mass of layer (g)
 m_w = wet mass of specimen (g)
 h_1 = thickness of compacted layer (mm)
 h_c = net calibrated height of shearbox (mm)

6.4 Density

6.4.1 Determine the volume of each specimen prior to shear as follows:

$$V_s = V_c - (A(r_f - r_i))$$

- where
- V_s = volume of specimen prior to shear (mm³)
 - V_c = net calibrated volume of shearbox (mm³)
 - A = area of shearbox (mm²)
 - r_f = vertical displacement immediately prior to commencing shearing (mm)
 - r_i = initial vertical displacement reading at set-up (mm)

6.4.2 Calculate the dry density for each specimen prior to shear as follows:

$$\rho_{ds} = \frac{\rho_{di} V_c}{V_s}$$

- where
- ρ_{ds} = dry density prior to shear (t/m³)
 - ρ_{di} = required placement dry density (t/m³)
 - V_c = net calibrated volume of shearbox (mm³)
 - V_s = volume of specimen prior to shear (mm³)

6.5 Rate of horizontal displacement

6.5.1 Calculate the time to failure of each specimen as follows:

$$t_f = 12.7 t_{100}$$

- where
- t_f = time to failure (minutes)
 - t_{100} = time required for 100% primary consolidation to occur (minutes)

6.5.2 Estimate the horizontal displacement required to reach constant volume conditions (Note 8.6).

6.5.3 Calculate the rate of horizontal displacement as follows:

$$\text{rate} = \frac{d_{cv}}{t_f}$$

- where
- d_{cv} = estimated horizontal displacement (mm)
 - t_f = calculated time to failure (minutes)

6.6 Effective angle of internal friction

6.6.1 From plots of vertical displacement against horizontal displacement and shear load against horizontal displacement, determine the horizontal displacement and the shear load at which the vertical displacement becomes constant for each.

6.6.2 Calculate the shear stress at constant vertical displacement for each specimen as follows:

$$\tau_{cv} = \frac{P_{cv}}{A} \times 10^{-6}$$

where τ_{cv} = shear stress at constant vertical displacement (kPa)

P_{cv} = shear load at constant vertical displacement (kN)

A = cross-sectional area of shear box (mm²)

6.6.3 Plot each calculated shear stress at constant vertical displacement, τ_{cv} on the y-axis against the corresponding normal stress at constant vertical displacement, σ_n on the x-axis using the same linear scale for both the y and x axes.

6.6.4 Determine an imposed line of regression through the origin in the form $y = a x$ using the plotted points

where

$$a = \frac{\sum xy}{\sum x^2}$$

6.6.5 Determine the effective angle of internal friction at constant volume conditions as follows:

$$\phi'_{cv} = \tan^{-1} a$$

where ϕ'_{cv} = effective angle of internal friction at constant volume conditions.

6.7 Stress/strain

6.7.1 Calculate the shear strains for each specimen as follows:

$$\gamma = \frac{100(l - l_i - d)}{h_c - (r_f - r_i)}$$

where γ = shear strain (%)

l = horizontal displacement gauge reading during shearing (mm)

l_i = initial horizontal displacement gauge reading (mm)

d = horizontal proving ring compression during shear (mm) (Note 8.7)

h_c = net calibrated height of shearbox (mm)

r_f = vertical displacement reading immediately prior to commencing shearing (mm)

r_i = initial vertical displacement reading at set-up (mm)

6.7.2 Calculate the volumetric strains for each specimen as follows:

$$\varepsilon_v = \frac{100(r - r_f)}{h_c - (r_f - r_i)}$$

where ε_v = volumetric strain (%)

r = vertical displacement reading during shearing (mm)

- r_f = vertical displacement reading immediately prior to commencing shearing (mm)
- h_c = net calibrated height of shearbox (mm)
- r_i = initial vertical displacement reading at set-up (mm)

6.7.3 Calculate the shear stresses, during shearing, for each specimen as follows:

$$\tau = \frac{P}{A} \times 10^6$$

- where τ = shear stress during shearing (kPa)
- P = shear load during shearing (kN)
- A = cross-sectional area (mm²)

7 Reporting

The following shall be reported:

- 7.1 The placement dry density for each specimen to the nearest 0.01 t/m³.
- 7.2 The placement moisture content for each specimen to the nearest 0.1%.
- 7.3 Plot of vertical displacement against root time showing consolidation curves for each of the applied normal loads.
- 7.4 The dry density prior to shear for each specimen to the nearest 0.01 t/m³.
- 7.5 Horizontal displacement at constant volume for each specimen to the nearest 0.01 mm.
- 7.6 Normal stress and shear stress at constant volume conditions for each specimen to the nearest 1 kPa.
- 7.7 Plot of shear stress (kPa) against normal stress (kPa) using the same linear scale for both horizontal and vertical axes with the imposed line of regression through the origin shown.
- 7.8 The effective angle of internal friction at constant volume conditions for the sample to the nearest 0.5°.
- 7.9 Plot of shear stress and volumetric strain against shear strain (Figure 3).
- 7.10 The moisture content for each specimen after shearing to the nearest 0.1%.
- 7.11 The test conditions and test type.
- 7.12 Specimen preparation details, including the method of placement and drainage conditions.
- 7.13 The rate of shearing (mm/minute).
- 7.14 The number of this test method, that is Q181C.

8 Notes on method

- 8.1 A subsample mass of about 30 kg should be sufficient for this purpose.
- 8.2 Layer thickness may vary for different shearboxes. However, layers should be thick enough to completely envelop the largest particles, but not so thick that a uniform compacted density is not achievable for their full depth.

- 8.3 Settlement is denoted as a positive value with decreasing specimen height resulting in an increase in the vertical displacement reading.
- 8.4 At times it may be difficult to draw a tangent to the early portion of the consolidation curve as this portion up to about 50% consolidation is not linear. The following technique is useful in providing a reasonable estimation of $\sqrt{t_{100}}$.
- 8.4.1 Locate the earliest point at which consolidation is substantially complete, that is, the point beyond which the vertical displacement vs root time curve virtually flattens out.
- 8.4.2 Bisect the horizontal distance between this point and the vertical axis. Read off the value on the horizontal axis corresponding to the halfway point. This value is the $\sqrt{t_{100}}$.
- 8.5 Separating the two halves of the shearbox is normally done by using parting screws. A gap of approximately 1 to 2 mm is normally sufficient.
- 8.6 For compacted soils, the horizontal displacement is estimated to be 15 to 25 mm for the 300 mm box.
- 8.7 Correction of horizontal displacement for compression in the shear load proving ring is only necessary if the horizontal displacement gauge is mounted independently of the carriage. No correction is necessary if using a load cell to capture shear load data.

Table 1 – Requirements for displacement measuring devices

Requirement	Minimum resolution (mm)	Maximum indicated error (%)	Maximum repeatability
Height of specimen	0.01	± 1.0	± 1.0
Horizontal displacement during shear	0.01	± 1.0	± 1.0

Table 2 – Conditions for specimen preparation

Maximum particle size	≤ 4.75 mm		> 4.75 mm	
Method of preparation	Q101B		Q101C	
% passing 0.075 mm*¹	< 5	≥ 5	< 5	≥ 5
Test Method to determine placement criteria	AS 1289.5.5.1	AS 1289.5.1.1	AS 1289.5.5.1	AS 1289.5.1.1
Placement dry density (ρ_{di})	70% Density Index	97% Maximum Dry Density	70% Density Index	97% Maximum Dry Density
Placement moisture (ω_p)	Sufficient to aid compaction	95-105% Optimum Moisture Content	Sufficient to aid compaction	95-105% Optimum Moisture Content
Minimum curing time	No requirement	3 hours	No requirement	3 hours

Note 1: * Material < 0.075 mm as a percentage of the passing 19.0 mm component of the sample

Figure 1 – Shearbox assembly (schematic)

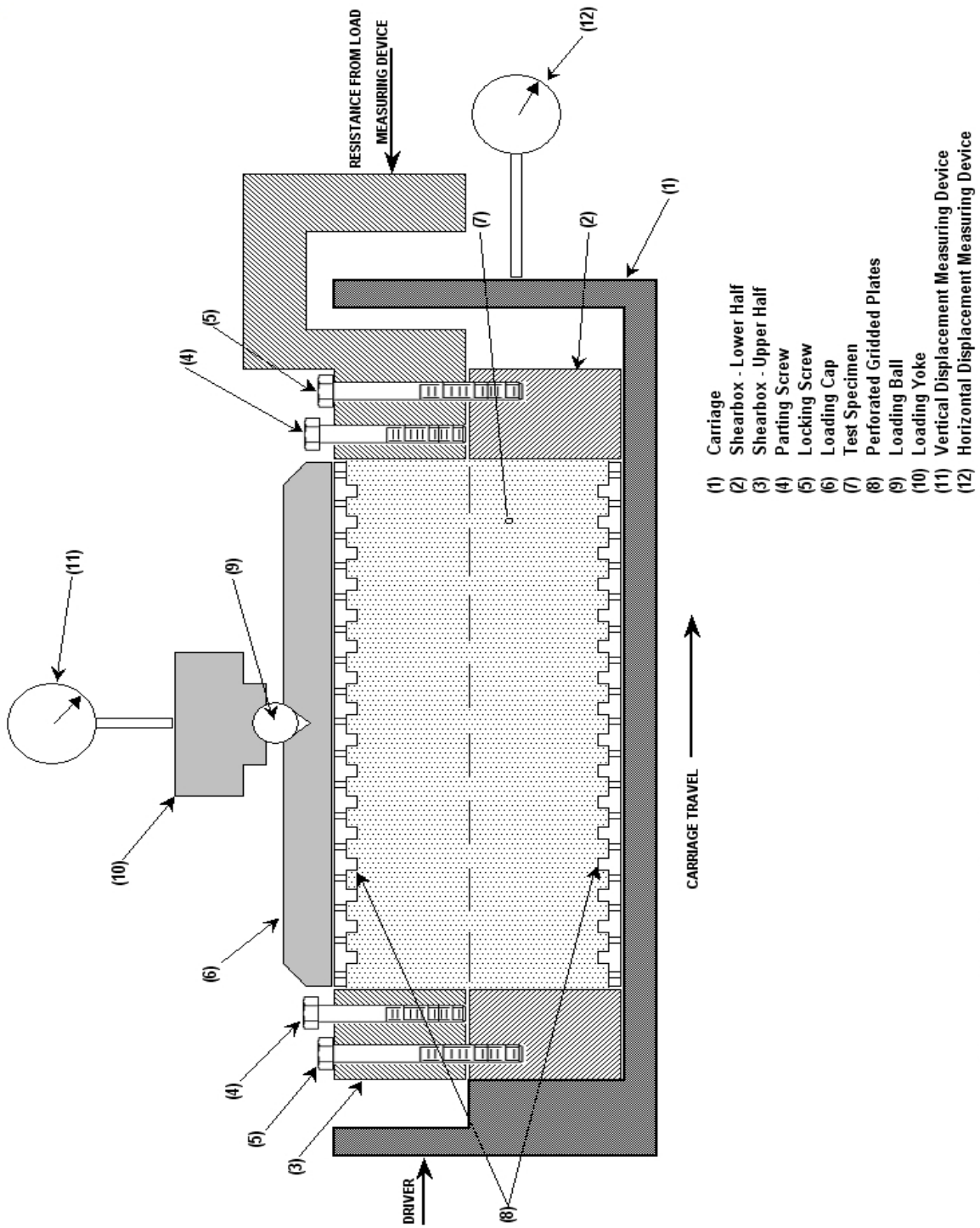


Figure 1 - Shearbox Assembly (Schematic)

Figure 2 – Consolidation point

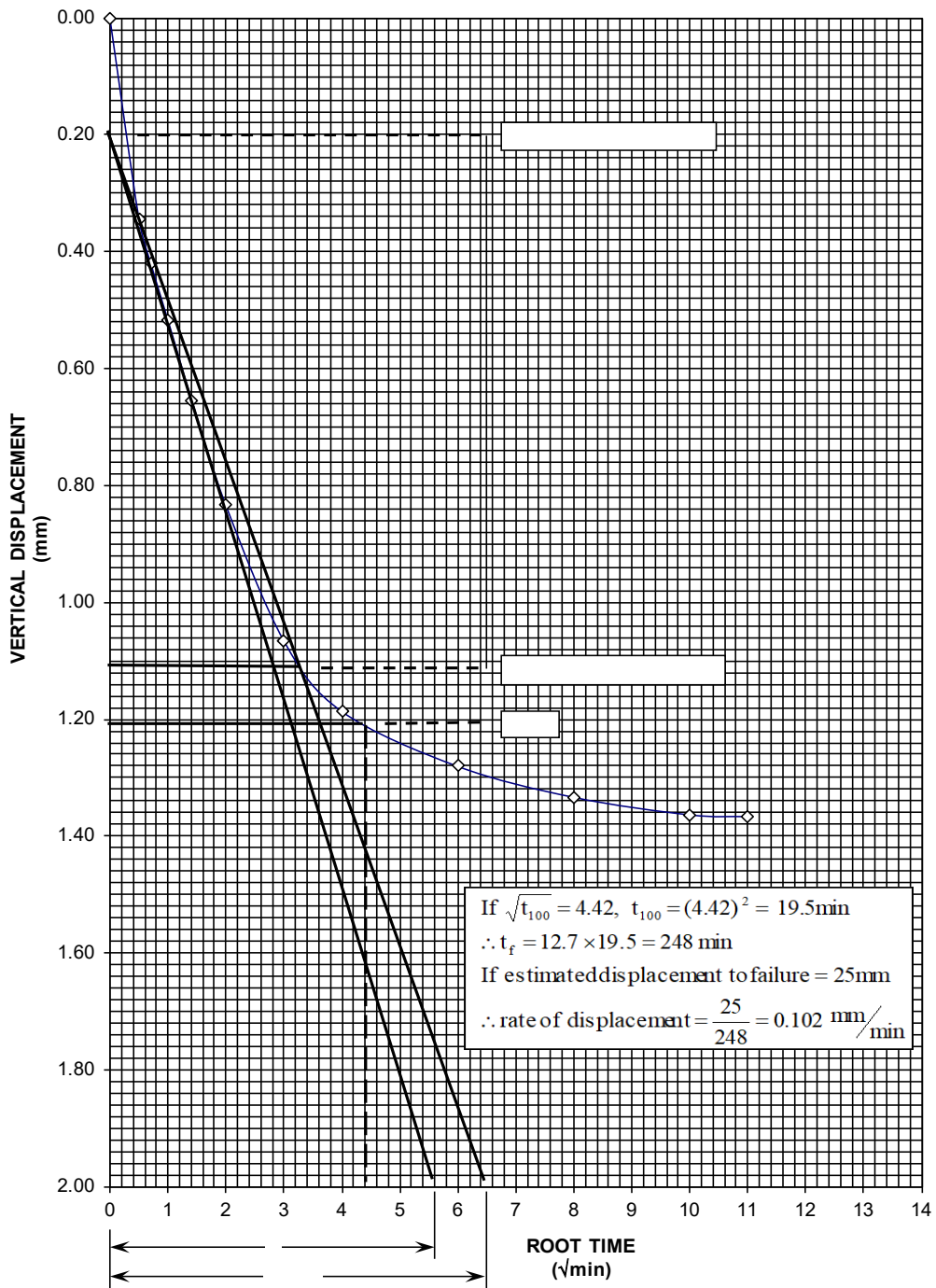
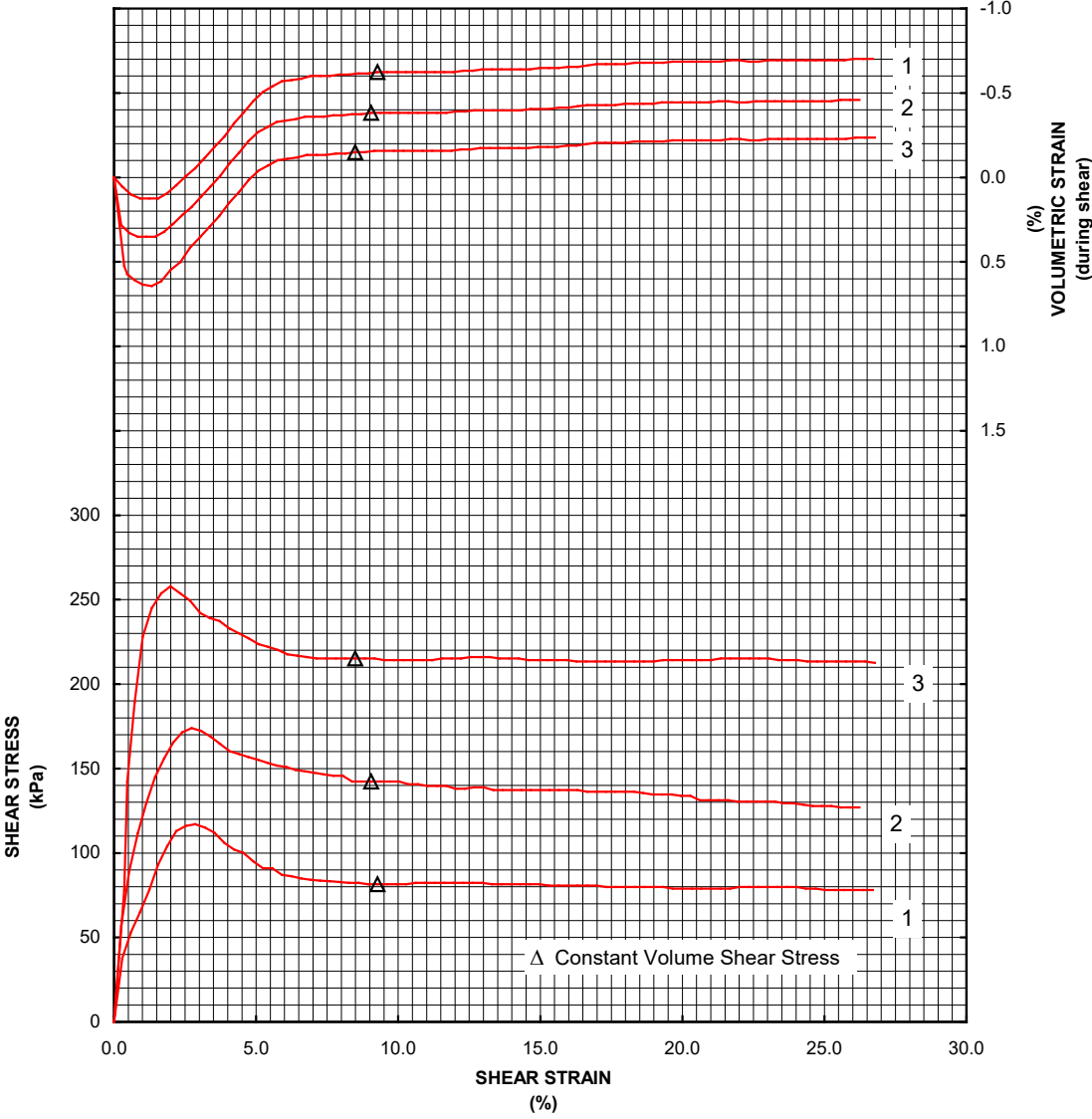


Figure 3 – Typical plot of test data



Test Method Q185: Brazilian compressive strength of rock

1 Source

This method is based on ISRM Part 2: *Suggested method for determining indirect tensile strength by the Brazil test*. It differs from this ISRM method in that the Brazilian compressive strength is determined.

2 Scope

This method describes the procedure for the determination of Brazilian compressive strength of a rock sample cut into at least two specimens.

3 Apparatus

The following apparatus is required:

- 3.1 Compression machine, conforming with the requirements for Class B of AS 2193 for that part of its operating range which corresponds to the maximum force applied to any test specimen. Equipped with an indicator of a resolution not exceeding 25 N and able to apply the required load at a uniform rate of application specified Section 5.
- 3.2 Brazil jig, consisting of the following:
 - a) upper and lower jaws each having an accurately machined inside face with the jaws contacting the disc-shaped rock specimen at diametrically opposed surfaces over an arc of approximately 10° at failure
 - b) lower segment mounted on a base having two perpendicular guide pins extending upwards
 - c) guide bushes on the upper segment located to direct the segments together without binding or loose motion on the guide pins
 - d) dimensions of the jaws having a radius of 1.5 times the specimen radius and a thickness of 1.1 times the specimen thickness, and
 - e) guide pin clearance of 0.10 mm for a 25 mm pin has been found to be sufficient (Table 1 and Figure 1).
- 3.3 Masonry saw.
- 3.4 Calliper, with a resolution of at least 0.1 mm and conforming with the requirements of ISO 13385-1 or JIS B 7507.
- 3.5 Marker.
- 3.6 Double thickness (0.2 - 0.4 mm) adhesive paper strip (masking tape) with a width equal to or slightly greater than the specimen thickness.

4 Specimen preparation

The specimen shall be prepared as follows:

- 4.1 Mark each sample to produce a suitable number of test specimens each with a thickness approximately equal to the specimen radius. Ten specimens are recommended, with two the minimum.
- 4.2 Using the saw, cut the required number of specimens.

- 4.3 Mark each specimen with a suitable identification.
- 4.4 Check each specimen and reject those that have:
 - a) end faces not flat to within 0.25 mm
 - b) cylindrical surfaces having tool marks and other irregularities greater than 0.025 mm, and
 - c) end faces not square and parallel to within 0.25°.
- 4.5 Measure the thickness of each test specimen at four points evenly spaced around the specimen and calculate the average thickness to 0.1 mm (t).
- 4.6 Measure the two diameters at right angles to each other and calculate the average diameter to 0.1 mm (d).
- 4.7 Wrap the test specimen around its periphery with one or two layers of masking tape.

5 Procedure

The procedure shall be as follows:

- 5.1 Clean the inside surfaces of the breaking head and lightly grease the guide pins.
- 5.2 Place the specimen in the jig such that the curved platens load the specimen diametrically and the defects of the test specimen are in the desired orientation, (for example, defects are usually oriented parallel or perpendicular to the direction of loading).
- 5.3 Select the load application rate such that the failure in the weakest rock occurs within 15-30 seconds. A loading rate of 200 N/sec. is recommended.
- 5.4 Apply the load continuously at a constant rate and record the maximum load at failure (P) along with the sketch, showing the location and orientation of failure plane.
- 5.5 Determine the moisture content of the specimen as detailed in Australian Standard Test Method AS 4133.1.1.1.

6 Calculations

- 6.1 Calculations shall be as follows:
- 6.2 Calculate the Brazilian compressive strength as follows:

$$BCS = \frac{P}{dt}$$

where BCS = Brazilian compressive strength (MPa)

P = maximum load at failure (N)

d = average diameter of the specimen (mm)

t = average thickness of the specimen (mm)

7 Reporting

The following shall be reported:

- 7.1 Brazilian compressive strength for each specimen in the sample, expressed to nearest to 0.01 MPa, together with the average result for the sample to nearest to 0.01 MPa.
- 7.2 Number of the specimens tested for the sample.

- 7.3 Orientation of the axis of loading with respect to specimen anisotropy, for example, bedding plane, foliation and so on.
- 7.4 Storage history and environment.
- 7.5 Mode of failure, test duration and stress rate.
- 7.6 Average specimen diameter and thickness to nearest 0.1 mm.
- 7.7 Moisture content to the nearest 0.1% (Note 8.1).
- 7.8 The number of this test method, that is Q185.

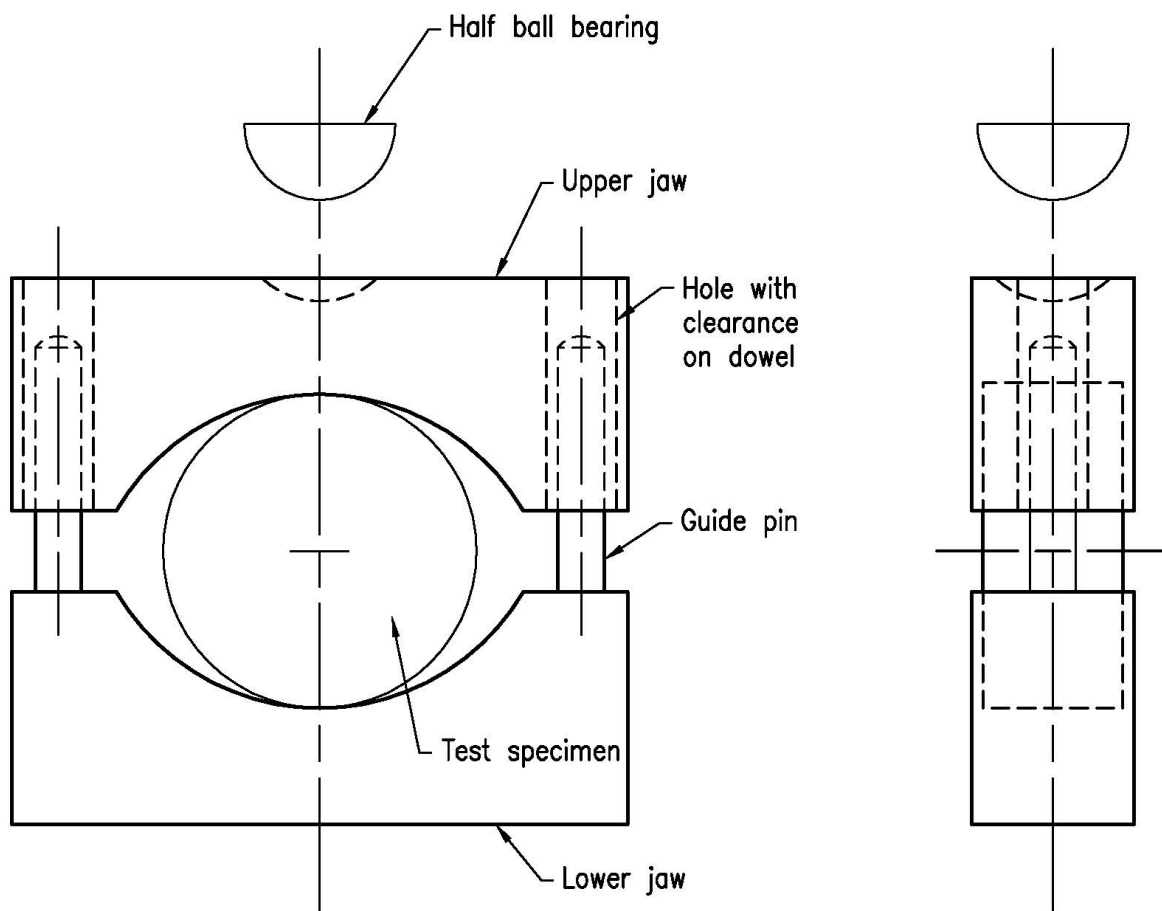
8 Notes on method

- 8.1 It is recognised that in some cases for some materials (for example, shale), it may be desired to test specimens in other moisture conditions, for example saturated or oven-dry at 110°C. Such conditions shall be noted in the test report.

Table 1 – Typical apparatus dimensions

Drill core diameter (mm)	Jaw radius (mm)	Jaw thickness (mm)
52	39	29
63	47	35
75	56	42

Figure 1 – Apparatus for Brazil test



Test Method Q188: Petrographic assessment of aggregates

1 Source

This method is based on ASTM C295: *Standard Guide for Petrographic Examination of Aggregates for Concrete* or AS 1141.65: *Alkali aggregate reactivity – Qualitative petrological screening for potential alkali silica reaction*, but has been modified for the petrographic assessment of source rocks and quarry products for the purposes of registration in the Transport and Main Roads Quarry Assessment and Registration System (QRS).

2 Scope

This method describes the additional requirements related to all the quarried materials used by the department, including concrete and asphalt aggregates, base and sub-base materials and various other specialised quarry products such as armour stone.

This method describes the procedure and/or terminology for the determination of the following in relation to quarried products:

- materials group
- asbestos content
- an initial evaluation of its Alkali Aggregate Reactivity (AAR) potential
- total sodic and potassic feldspar and other mineral content
- mica content of sands
- 'quartz' content
- sulphide mineral content
- content of moisture sensitive minerals, and clay minerals
- total carbonate content
- total glass content and natural glass / man-made glass proportion, and
- nomenclature to be used, particularly in relation to basalts.

The method is based upon petrographic examination of representative thin sections or grain mounts of the material. No attempt is made to describe in detail the techniques of section preparation, mineral identification and petrographic description since it is assumed that the test method will be used by operators with adequate qualifications and experience to undertake the work and using suitable published methods. In regard to the Alkali Silica Reactivity (ASR) potential in particular, this is, at best, only a first pass assessment; if a further assessment is required, then other specific ASR assessment tests should be used.

The aim of this document is to formalise and standardise, as far as is practical, the reporting of specific minerals, which may have deleterious or beneficial impacts on quarried materials

3 Definition of terms

Table 3 – Definition of Terms

Term	Definition
Acid Igneous group	An igneous rock containing more than 65% SiO ₂ typically consisting of quartz, feldspar, biotite. Includes Rhyolite, Rhyodacite, Dacite, Granite, Adamellite and Granodiorite Tuffs or pyroclasts (of same composition).

Term	Definition
Asbestos	One or more of the asbestos minerals (as defined in the <i>Work Health and Safety Act 2011</i> as being: actinolite, grunerite or amosite, anthophyllite, chrysotile, crocidolite and tremolite) occurring in their asbestiform habit. An asbestos mineral, but not in its asbestiform habit shall not be included as asbestos. A formal statement regarding asbestos is required for all quarry products.
ASR minerals (Alkali Silicate Reaction)	The following minerals or species are known to be susceptible to ASR (Note 8.1): <ul style="list-style-type: none"> • Tridymite and cristobalite • Strained quartz, quartz grains which show undulatory extinction when viewed under crossed polars. Where the extinction angle variation in the range of 10°–20° the grain is as classed as moderately strained, and > 20° is classed as highly strained. • Chert (arbitrarily defined herein as polycrystalline, cryptocrystalline or microcrystalline quartz with a grain size finer than 0.01 mm and includes chalcedony, flint), including finely crystalline acid volcanic lithics. • Opal, a siliceous gel-like material, extremely fine-grained, amorphous form of silica. • Siliceous volcanic glass containing reactive silica, silica free glass shall not be included.
Basic igneous group	An igneous rock containing between 44%–54% SiO ₂ typically consisting of plagioclase, pyroxene, olivine and quartz free. Includes Basalt, Dolerite and Gabbro and Tuffs or pyroclasts (of same composition).
Carbonate material content	Both the total carbonate content and the proportion of each of the carbonate minerals which are present in the sample. The following carbonate minerals are of particular interest: calcite, aragonite, magnesite, dolomite and siderite.
Clay (and similar) mineral content	The total content of clays and moisture sensitive minerals, including kaolinite, smectite, sericite, chlorite, iddingsite, illite and zeolites.
Coarse or fine gained product	For the purpose of this procedure a course gained product is one dominated by material coarser than 4.75 mm, while a fine-grained product is dominated by materials finer than 4.75 mm. In both cases some material finer or coarser than these limits may be included. In the case of fine concrete aggregates and fine asphalt aggregates the coarse / fine boundary is at 2.36 mm.
Duricrust	A hard siliceous or ferruginous or calcareous crust formed on a then-existing rock surface. In Queensland, this typically occurred during Tertiary Age, in semi-arid environments produced by the precipitation of silica (silcrete), iron oxides (ferricrete), or calcite (calcrete). The term 'laterite' is a general term: 'caliche' or 'hard pan' are also often used to describe essentially the same material, particularly if high ferruginous.
Fines	A classification term of the Material Group used to describe natural predominately sand deposits that generally pass through 2.36mm-size sieve.

Term	Definition
Glass	Percent of glass, either natural glass or man-made glass. Natural glass will only be present in volcanic source rocks while man-made glass will only be in samples of quarried products with recycled glass added as a source of fines or in fully recycled materials. In the case of natural glass it should be differentiated into Volcanic non-silica Glass (for example, Mesostasis or microlite) and Silica Saturated Glass or non-silica glass.
High sodium/potassium mineral content	The total percentage, and individual content, of high sodium feldspars (for example albite and oligoclase), potassic feldspars (for example orthoclase microcline, sanidine), feldspathoids (for example nepheline, leucite), and zeolites (for example natrolite). This is particularly applicable to acid igneous rocks.
Intermediate Igneous group	A rock which has formed by solidification from a melt or partial melt. An igneous rock containing between 54%–65% SiO ₂ typically consisting of plagioclase, amphibole, pyroxene and nil or minor quartz. Includes Trachyte, Trachyandesite, Andesite, Syenite, Diorite and Tuffs or pyroclasts (of same composition).
IUG	International Union of Geological Sciences
Lithology	The geological nomenclature of a rock on the basis of one or more of colour, grain size, texture and mineralogical composition.
Manufactured sand	Sand produced by crushing a rock source material in a quarry. Manufactured sand is commonly used as a partial replacement for natural sand in concrete aggregates. Manufactured sand is classified as a fine aggregate. May also be referred to as 'man-sand'.
Metamorphic group	A rock derived from a pre-existing rock by mineralogical, or structural changes in response to changes in the temperature and/or pressure. Includes Hornfels, Quartzite, Metagreywacke, Greenstone, Slate and Amphibolite
Mica content	Only for sands, is defined as percent of individual flakes of mica (of any type), in the total sand mass. Composite grains including some mica (but not all mica) are not to be included.
Materials Group	A classification system used in departmental Technical Specifications (for example, MRTS05) for rocks based on their mineralogy and mode of occurrence. These classes are similar to those of AS 1726 but differ in one fundamental way related to the classification of pyroclastic rocks. Such materials are placed in the same group as their volcanic equivalents rather than as in geological classification systems where they are classed as sediments (as in AS 1726). For Transport and Main Roads Technical Specification requirements, acceptable materials groups are: Acid Igneous, Intermediate Igneous, Basic Igneous, Metamorphic, Sedimentary, Duricrust, and Fines
Oversaturated	In relation to the classification of Basalts (Table 6.11), when excess silica is present within the glass.

Term	Definition
Quartz content	<p>For the purposes of this method, 'quartz' is defined to comprise the total of the following components: this is different from ASR minerals (Note 8.2):</p> <ul style="list-style-type: none"> • quartz which is present as single or compound mineral grains • only the quartz content of casts where quartz is locked in with other minerals in lithic clasts, not the total of all such clasts • chert (arbitrarily defined herein as polycrystalline, cryptocrystalline or microcrystalline quartz with a grain size finer than 0.01 mm, chalcedony, flint) • opal which may be present as mineral grains or as an infilling or mineral coating.
Sedimentary group	<p>A rock formed from loose sediments or by biological activity which have, via the process of lithification been transformed into rock. Including Limestone, Mudstone, Sandstone, Arenite, Chert. Pyroclastic rocks are not included in the sedimentary group but rather in their volcanic equivalents.</p>
Source Material Group	<p>A classification system used in departmental specifications for rocks based on their mineralogy and mode of occurrence. These classes are similar to those of AS 1726 but differ in one fundamental way related to the classification of pyroclastic rocks. Such materials are placed in the same group as their volcanic equivalents rather than as in geological classification systems where they are classed as sediments (as in AS 1726).</p>
Sulphide mineral content	<p>The total sulphide minerals content including the various iron sulphides and sulphides of the other metals. The most common sulphide mineral is pyrite, but another critical sulphide mineral is pyrrhotite. The sulphides mineral content is the sum of all sulphides not just pyrite.</p>

4 Apparatus

The following apparatus is required:

- facilities, adequate for the preparation of thin sections of rocks and epoxy stabilised blocks for sand
- microscope, a petrographic (polarising) microscope equipped with low, medium and high-power objectives, an ocular lens containing crosshairs and a mechanical stage suitable for incremental traversing
- a point counter, suitable for recording the number of points observed in the course of incremental traversing
- a binocular microscope for the examination of the sample generally under low power (\geq x50), and
- all microscopes should have the capacity to take colour images.

5 Procedure

5.1 The sample

Almost any type of sample could be used for a petrographic assessment; however, the sample used must be representative of all or part of the source rock in the quarry. If the sample is representative of part of a site, then the area of which it is representative should be clearly defined.

Potential sample types:

- Hand specimen (or core sample): The representativeness of such samples is a real issue, if hand specimens (or core samples) are used, then it would be expected that several such samples must be examined. A single sample is not adequate.
- Product samples: Product sample should be at least 20 kg sample of the highest quality product class produced at the quarry. Such sample should be either a sample of MRTS05 Sub type 2.1 or a sample of screenings (preferably 14 mm or 12 mm screenings) or a sample of coarse concrete aggregate.
- Fines: If the site is an exclusive source of fine aggregates (sand), a 2 kg sample of such fines is required. If the site produces manufactured sand, then a 2 kg sample of manufactured sand is required.
- Manufactured sand: Quarries producing manufactured sand must provide a sample of such a product for analysis.

Minimum sample requirements for QRS registration:

- Hard rock quarries producing a limited range of products but including paving materials and/or concrete aggregates. A 20 kg sample of coarse concrete aggregate or Subtype 2.1.
- Hard rock quarries producing a wide range of products. A 20 kg sample of screenings or coarse concrete aggregate and a 20 kg sample of Subtype 2.1.
- Hard rock quarry producing manufactured sand. A 2 kg representative sample of manufactured sand, in addition to the above.
- A proposed quarry site not yet in production. Either at least two hand specimens or core samples. Such samples should be collected by an experienced geo-professional who was involved in the assessment of the site and who can attest to the relevance of the samples to the proposed site.
- Natural Sand sources. A 2kg sample of sand.

5.2 Sand samples (fine aggregates, manufactured sand and natural sand)

- 5.2.1 Obtain two representative subsamples of the sand, each between 10–20 g, using a riffle splitter or by coning and quartering. To minimise segregation during handling, any dry sand sample must first be moistened with water so that it is damp, yet in a free-flowing condition. Ensure that sample division does not result in the removal of specific minerals (such as mica) during the process.
- 5.2.2 Using one entire sub-sample, mould and prepare a thin section using recognised techniques.
- 5.2.3 As well as determining the mineral content, also determine the content of glass.

5.3 Binocular examination

Where aggregates samples are used, the uniformity of the sample shall be assessed using a binocular microscope, or simply by eye. This procedure allows the sample to be divided into sub-samples of similar type. The percentage of each sub-type can then be determined, by counting or weighing the fragments of each type. Identification of each of these sub-types is generally undertaken using petrographic examination.

5.4 Sample preparation – rock hand specimen or crushed coarse aggregate

If a rock hand specimen, prepare one or more thin sections of the sample.

If a crushed coarse aggregate, first separate out representative sub-samples of each type as observed during binocular examination and, then prepare one or more thin sections containing a representative sample of each material sub-type.

5.5 Petrographic examination

In general, perform a petrographic examination of the thin section using transmitted polarised light microscopy, supplemented by binocular microscopic examination of the remaining material. Record sufficient petrographic observations on the morphology (grain size, shape, mineralogy) degree of deformation / straining, especially of quartz grains (mild, moderately or highly strained) and composition of the material to characterise the rock / sand for comparative purposes and to attract attention to any perceived deleterious characteristics. This essentially follows the requirements of C295. Estimates of major minerals shall be to the nearest 1% of the total sample.

Perform a point count (or estimate the proportion of each mineral in the grains) in the section of each of the previously identified grain types. The point count (if used) should involve sufficient observations to enable the percentages of the constituent minerals to be determined to the required precision.

For low frequency of occurrence minerals (each with less than 2% of the total sample), a higher point count density may be required, or estimations of occurrence should be made. For these minerals, the frequency of occurrence shall be reported to the nearest 0.2% of the total sample, unless otherwise stated.

6 Requirements

6.1 Sample

Details of the type or types of sample provided.

6.2 Materials Group

Several of the department's Technical Specifications have different limits, depending on the source material group (Acid igneous, Basic igneous, Intermediate igneous, Metamorphic, Sedimentary or Duricrust). Generally, source material group follows the requirements of AS 1726; however, there is one notable exception in that pyroclastic rocks are classified on the basis of their volcanic equivalents rather than being placed in the sedimentary group. In the case of naturally occurring sands, these should be placed in the 'Fines' materials group, rather than on the basis of the provenience of the sand. For manufactured sand, this should be placed in the same materials group as its source rock.

6.3 Quartz content

The quartz content (using the definition of quartz as contained in Section 3) shall be the sum total of all 'quartz' minerals expressed to the nearest 1% of the total sample.

6.4 ASR potential

The reported percent content of each of the ASR minerals, as defined in Section 2 above (for example opal, tridymite, cristobalite, chert (as defined herein) and strained quartz), shall each be determined and recalculated as a percentage of the Critical Concentration as defined in Table 6.4(a). These values are termed the partial ASR values. The partial ASR values shall then be added, to determine the total ASR value and the samples classification determined as detailed in Table 6.4(b).

Table 6.4(a) – ASR reactive minerals and critical concentrations

Mineral (or Mineral Type) as defined in Section 3	Reactivity	Critical Concentration
Opal	Substantial	< 0.5%
Tridymite	Substantial	< 1.0%
Cristobalite	Substantial	< 1.0%
Siliceous Volcanic Glass	Substantial	< 3.0%
Siliceous Volcanic Glass, where in the range 1% to 3%	Slow	3.0
Chert (as defined herein, includes chalcedony, flint and other species)	Slow	< 3.0%
Moderately Strained (optically) Quartz	Slow	< 5.0%
Highly Strained (optically) Quartz at < 5% of Qz concentration	Slow	< 5.0%
Highly Strained (optically) Quartz at > 5% of Qz concentration	Substantial	< 5.0%

Table 6.4(b) – ASR classification terminology

Total ASR Value	Reactivity Class	
	Slow > Substantial	Slow ≤ Substantial
	Terminology	
< 50	Innocuous	
50–100	Potentially reactive	
100–500	Slowly reactive	Substantially reactive
> 500	Substantially reactive	

ASR worked example

For example:

- Assume a sample consists of 0.6% cristobalite and 2.5% chert (as defined herein)
- Partial ASR value for cristobalite = $0.6/1.0 = 0.6$ = Partial ASR value 60 (substantial)
- Partial ASR value for chert = $2.5/3.0 = 0.83$ = Partial ASR value 83 (slow)
- Total ASR value = 143 and Slow > Substantial.

Classification: Slowly Reactive, since $100 < \text{ASR value} < 500$, and Slow \geq Substantial.

6.5 Asbestos

The presence or absence of asbestos in the sample. This is the 'asbestos minerals' existing in their asbestiform habit, not the presence of just 'asbestos minerals'. The requirement here relates to the observation of asbestos rather than an estimate of concentration. If no asbestos is observed, this should be explicitly stated; that is, 'No asbestos observed', otherwise 'Asbestos minerals observed'. No actual asbestos content is required as it is always expected to be very small < 1%.

6.6 High sodium / potassium minerals

The total content of these minerals (typically high sodic feldspar, potassic feldspars, potassic and sodic feldspathoids and potassic and sodic zeolites) in the sample shall be reported to the

nearest 1%, on the basis of point count or estimation. Only the total content is required, the individual contents may be required for compliance with Sub-section 7.1 and/or 7.2 of this test method.

6.7 Mica content of sand

The presence of mica flakes in sand shall be reported to the nearest 1%, based on either estimation or point count.

6.8 Sulphide content

During the examination of the sample, an estimate of the total sulphide content of the sample shall be made (either as an estimate or via point counts). The total estimated sulphide content shall be reported to the nearest 1%.

If, during the examination of the sample, the presence of even trace amounts of pyrrhotite are observed, then the concentration of this specific sulphide mineral shall also be reported to the nearest 0.1%.

6.9 Clays and moisture sensitive materials

The total content of clays and moisture sensitive minerals, generally secondary minerals, including kaolinite, smectite, chlorite, iddingsite, illite, kaolinite to the nearest 1%. The total estimated 'clay' content shall be reported to the nearest 1% via estimation or point count.

6.10 Carbonate content

Both the total carbonate content of the sample (to 1%) and the content of the various carbonate minerals observed in the sample. The total estimated 'Carbonate' content shall be reported to the nearest 1% via estimation or point count.

6.11 Nomenclature for Basalt

Generally, the nomenclature of rocks shall follow a standard geological classification system, such as the IUGS or similar system. Due to a number of issues with basaltic rocks, a detailed nomenclature for this group has been defined in Table 6.11, based on glass content and nature of the glass (that is, non-silica volcanic glass and saturated silica glass). If the percentage of Olivine is greater than 5% (>5%), olivine can be used as prefix in front of 'basalt'; for example, 'Glassy Olivine Basalt' (Note 8.3).

Table 6.11 – Basalt nomenclature

Non-Silica Glass Content	Saturated Silica Glass Content	Basalt Nomenclature
<1%	<1%	Basalt
<1%	1-5%	Slightly oversaturated basalt
<1%	>5%	Oversaturated basalt
1-5%	<1%	Slightly glassy basalt
1-5%	1-5%	Slightly oversaturated slightly glassy basalt
1-5%	>5%	Oversaturated slightly glassy basalt
>5%	<1%	Glassy basalt
>5%	1-5%	Slightly oversaturated glassy basalt
>5%	>5%	Oversaturated glassy basalt

Report the total content of glass to 1% and the natural glass to man-made glass proportion, based on either estimation or point count. Include whether the natural glass is a silica or non-silica glass.

7 Reporting

The following shall be reported:

7.1 General

- A basic petrographic description of the sample(s), incorporating observations on grain size, grain shape, fragment types, mineralogical assemblage including % occurrence, description, including lithology, primary rock forming minerals, accessory minerals and secondary minerals as per C295 and AS 1141.65.
- Where several lithologies are present in the sample, the percentage of each lithology and the description of each lithology shall be reported.
- The percent of mineral grains (or clasts) of various compositions.

7.2 Specific requirements

In addition to the general requirements detailed above, report the following specific requirements:

- the nature of the sample provided by the applicant
- the nomenclature of the rock (refer to specific requirements regarding Basalts) and possible origin
- the classification into one of the 'Source Material groups'
- any observations of asbestos minerals in their asbestiform habit, presence reported as either 'Asbestos observed' or 'No asbestos observed'
- ASR terminology classification as detailed in Tables 6.4(a) and 6.4(b), as well as the concentration of the various minerals used to derive the ASR classification
- the total percent of 'high sodium / potassium minerals' as defined in this test method to the nearest 1%
- mica content of sands reported to the nearest 1%
- total quartz content to the nearest 1% (as defined herein), as well as the components of this quartz content
- total sulphide content of the sample to the nearest 1% and any observation (or absence) of pyrrhotite, including the percentage of occurrence
- the total clay content (to 1%) of the sample and identification of (as far as is possible) clay mineral types
- total carbonate content and the sample and the percentage of the various carbonate minerals, to the nearest 1%
- total glass content of the sample to 1%, the proportion of recycled glass to natural glass to the nearest 1% and, in the case of natural glass, the nature of the glass; that is, siliceous or non-siliceous glass.

7.3 Other

Any pertinent comments which may bear on the perceived suitability of the material for its use as an aggregate or road making material.

7.4 The number of this test method, that is Q188.

8 Notes on method

8.1 Not all quartz is defined as an ASR mineral.

8.2 Not all quartz grains are ASR mineral grain.

8.3 The term 'oversaturated' refers to the silica content of the glass, not the entire rock.

Test Method Q191: Inspection of installed pavement drains - bore scope

1 Source

This test method applies the principles of the Virginia Department of Transport Test Method 108 and the supporting specification Virginia Department of Transport Road and *Bridge Specification Section 501 Underdrains*.

2 Scope

This test method outlines the procedure for inspection of a pipe or strip filter drain (pavement drain) by bore scope to determine its condition.

3 Apparatus

The following apparatus is required:

- 3.1 Bore scope, an optical device consisting of the following:
 - a) rigid or flexible tube with an eyepiece at one end and an objective lens at the other, linked together by a relay optical system
 - b) with a maximum diameter of 10 mm
 - c) with a length of camera cable of at least 20 m, and
 - d) capable of capturing clear video images with a minimum resolution of 10,000 pixels.
- 3.2 A device to electronically record the images from the bore scope onto suitable recording media.
- 3.3 Drain locator, to establish the distance from the outlet of any pavement drain deficiencies.

4 Procedure

The procedure shall be as follows:

- 4.1 Feed the bore scope through the pavement drain at a rate not exceeding 5 metres per minute (Note 7.2).
- 4.2 Progressively record the condition of the pavement drain in terms of the following deficiencies, if any:
 - a) penetration by guardrail posts, signposts, delineator posts and so on
 - b) sag in the longitudinal profile of the pavement drain as evidenced by ponding of water for continuous lengths of 3.0 m or greater
 - c) any blocked or crushed pavement drain that will not allow the passage of the bore scope, and
 - d) any partially blocked or partially crushed/split/cracked pavement drain for any length greater than 300 mm.
- 4.3 Using the drain locator, determine and record the location of any deficient condition detected in accordance with Step 4.2.
- 4.4 Electronically record on suitable media the inspection condition of the pavement drain as shown by the bore scope.
- 4.5 Record the total length of the pavement drain inspected.

5 Calculations

Calculations shall be as follows:

- 5.1 The total length of deficient condition recorded for the pavement drain.
- 5.2 The total length of deficient condition as a percentage of the total length of pavement drain inspected.

6 Reporting

The following shall be reported:

- 6.1 Inspection date.
- 6.2 Project identification.
- 6.3 Pavement drain location, for example, chainage/offset.
- 6.4 Pavement drain manufacturer and product name.
- 6.5 Pavement drain inspection length.
- 6.6 Location from the outlet and nature of any deficient condition in accordance with Step 4.2.
- 6.7 Length of deficient condition as a percentage of the total length inspected.

7 Notes on method

- 7.1 The optical system is usually surrounded by optical fibres contained within a rigid or flexible protective outer sheath to illuminate a remote object. An internal image of the remote object is formed by the objective lens and relayed to the eyepiece that magnifies the internal image and presents it to the viewer's eye.
- 7.2 Where an outlet location is inaccessible with the bore scope, visual inspection is permitted.

Test Method Q201: Flakiness index of aggregate

1 Source

This method applies the principles of AS 1141.15: *Flakiness index*. It differs from this standard by:

- a) not permitting the use of slotted sieves
- b) including 6.70 - 4.75 mm slots in the thickness gauge, and
- c) allowing a test fraction to be reduced to produce a test portion.

2 Scope

This method describes a procedure for determining the flakiness index of a general aggregate. The method applies to aggregates having a nominal size not greater than 63.0 mm.

3 Definitions

For the purpose of this method, the following definitions shall apply:

- 3.1 Mean dimension - the mean of the smallest sieve aperture through which the particle passes and the largest sieve aperture on which the particle is retained.
- 3.2 Flaky particle - a particle with a least dimension (thickness) less than 0.6 of its mean dimension.
- 3.3 Flakiness index - the percentage by mass of flaky particles.

4 Apparatus

The following apparatus is required:

- 4.1 Balance of suitable capacity, having a resolution of at least 1 g and with a limit of performance not exceeding ± 5 g.
- 4.2 Drying oven of suitable capacity, having a temperature of 105 - 110°C and complying with AS 1141.2.
- 4.3 Thickness (flakiness) gauge with apertures conforming to the dimensions shown in Table 1.
- 4.4 Sieves, 37.5 mm, 26.5 mm, 19.0 mm, 13.2 mm, 9.50 mm, 6.70 mm and 4.75 mm as required, complying with ISO 3310.
- 4.5 Sample dividers.
- 4.6 Sieve brushes.
- 4.7 Container of suitable size, for drying the test portion.
- 4.8 Dishes and trays.

5 Procedure

The procedure shall be as follows:

5.1 Particle size distribution

- 5.1.1 Prepare the bulk sample as detailed in Section 5 of Test Method Q101 to obtain a test portion that, when dry, will comply with the minimum mass requirement of Test Method Q103A Table 1 or AS 1141.11.1 Table 1 as appropriate.

- 5.1.2 Place the test portion in the container and dry in the oven to a constant mass.
- 5.1.3 In order to determine the sieves required, it is necessary to consult any applicable specification for the material under test.
- 5.1.4 Determine the particle size distribution of the sample as detailed in Test Method Q103A or AS 1141.11.1 (Note 8.1), using the sieves required in Step 5.1.3.

5.2 Test fractions from Q103A

- 5.2.1 Combine the size fractions retained on the sieves as necessary, into the fractions shown in Table 1.
- 5.2.2 Include all fractions which constitute five or more percent of the sample mass and are larger than 4.75 mm.
- 5.2.3 Obtain the mass of each test fraction as follows:
 - a) For fractions larger than 19.0 mm (that is, obtained from Test Method Q103A Subsection 6.1), determine the mass of each test fraction (m_1) between 19.0 and 63.0 mm.
 - b) Where the sample has not been coarse sieved or the passing 19.0 mm material has not been subsampled (that is, obtained from Test Method Q103A Step 7.2.3), determine the mass of each test fraction (m_1) between 4.75 and 19.0 mm.
 - c) Otherwise:
 - i. Determine the subsampled mass of each test fraction (m_2).
 - ii. Calculate the mass of each test fraction (m_1) between 19.0 and 4.75 mm as follows:

$$m_1 = m_2 \frac{M_T - M_c}{m_4 - m_3}$$

- where
- m_1 = mass of each test fraction (g)
 - m_2 = subsampled mass of each test fraction (g)
 - M_T = mass of sample from particle size distribution (g)
 - M_c = cumulative mass retained on the 19.0 mm sieve (g), obtained from Q103A.
 - m_3 = mass of container (g), obtained from Q103A.
 - m_4 = mass of container and test portion subsample (g), obtained from Q103A.

5.3 Test fractions from AS 1141.11.1

- 5.3.1 Combine the size fractions retained on the sieves as necessary, into the fractions shown in Table 1.
- 5.3.2 Include all fractions which constitute five or more percent of the sample mass and are larger than 4.75 mm.
- 5.3.3 Determine the mass of each test fraction (m_1).

5.4 Flakiness index

5.4.1 Using either a sample divider or by cone and quartering, obtain a test portion from each fraction to be tested:

- a) of at least 200 pieces of the predominant fraction, and
- b) of at least 100 pieces or the complete fraction for each of the remaining fractions, whichever provides the fewer pieces for testing.

5.4.2 Determine the mass of each test portion (m_5).

5.4.3 Test each portion by attempting to pass each piece of aggregate through the appropriate gauge slot using the size of the slot shown in Table 1.

5.4.4 Retain the aggregate passing through the slot and determine the mass of the aggregate passing the appropriate gauge slot (m_6).

6 Calculations

Calculations shall be as follows:

6.1 Calculate the total mass of sample from the particle size distribution as follows:

$$M_T = \sum m_1$$

where M_T = mass of sample from particle size distribution (g)

m_1 = mass of each test fraction (g)

6.2 For each test fraction calculate the percentage of aggregate passing each slot as follows:

$$P = \frac{m_6}{m_5} 100$$

where P = percentage of aggregate passing each slot

m_6 = mass of aggregate passing selected gauge slot (g)

m_5 = mass of test portion (g)

6.3 For each test fraction calculate the weighted percentage of aggregate passing each slot as follows:

$$P_w = \frac{Pm_1}{M_T}$$

where P_w = weighted percentage of aggregate passing each slot

P = percentage of aggregate passing each slot

m_1 = mass of each test fraction (g)

M_T = mass of sample from particle size distribution (g)

6.4 Calculate the flakiness index as follows:

$$FI = \sum P_w$$

where FI = flakiness index (%)

P_w = weighted percentage of aggregate passing each slot

7 Reporting

Report the flakiness index to the nearest 1%.

8 Notes on method

8.1 For ease in determining the flakiness index, it is advisable to keep the fractions retained on each sieve separated during the performance of Test Method Q103A or AS 1141.11.1.

Table 1 - Thickness gauge

Size fractions (mm)		Dimensions of rectangular slots	
Passing	Retained	Minimum length (mm)	Width *
63.0	53.0	90	34.8 ± 0.30
53.0	37.5	80	27.15 ± 0.30
37.5	26.5	70	19.20 ± 0.20
26.5	19.0	50	13.65 ± 0.20
19.0	13.2	40	9.66 ± 0.20
13.2	9.50	30	6.81 ± 0.10
9.50	6.70	20	4.86 ± 0.10
6.70	4.75	15	3.44 ± 0.10

* These widths are 0.6 times the mean of the limiting sieve sizes used to define the size fraction.

Test Method Q203: Polished aggregate friction value

1 Source

This method is based on AS 1141.40: *Polished aggregate friction value - Vertical road wheel machine*, and AS 1141.42: *Pendulum friction test*.

This method differs from AS 1141.40 in the specification of the polishing materials, the procedure used to select aggregate particles for the test and the aperture size of the slotted sieve.

This method differs from AS 1141.42 in the conditions for using rubber sliders where the requirements are based on *EN1097 - Tests for mechanical and physical properties of aggregates – Part 8: Determination of polished stone value*. The method also allows the use of the UK reference aggregate with assigned friction values as detailed in Austroads, “*Establishing a reference aggregate for aggregate polishing tests*”, AP-T212-12, August 2012.

2 Scope

This method describes the procedure for determining the polished aggregate friction value (PAFV) of a naturally occurring or artificially produced aggregate which is intended for use as a pavement surfacing material. It involves friction testing of prepared specimens of the aggregate following laboratory polishing.

3 Apparatus

Where appropriate, the working tolerances of particular apparatus are contained in Tables 1 and 2. Examples of the apparatus are shown in AS 1141.40 Figure 1 and AS 1141.42 Figure 2.

The following apparatus is required:

- 3.1 Accelerated polishing machine, vertical road wheel type rigidly mounted on a firm level base and comprised and constructed as follows:
 - a) Road wheel accommodating 14 specimens clamped on its periphery to form a surface of exposed aggregate particles of 45 mm in width and 406 mm in diameter. It is rotated at 320 revolutions/min.
 - b) Solid rubber-tyred wheel having, in the unused condition, a diameter of 225 mm, a width of 35 mm and a Shore A hardness of 60. It is brought to bear on the surface of the aggregate specimens mounted on the road wheel with a total force of 390 N. The force of 390 N is normally achieved by a weight having a mass of approximately 11.0 kg attached to the end of the arm. Two rubber tyres are required, one for coarse polishing with silicon carbide grit, and the other for fine polishing with optical emery. When in use, the rubber tyre will sit flat on the specimens and have minimum sideways movement and eccentricity. Discard the tyre when it shows signs of irregular wear or its Shore A hardness falls outside the specified range or its diameter falls below 210 mm.
 - c) Both the road wheel and the solid rubber-tyred wheel must be mounted vertically, aligned accurately to each other and be free to rotate without play in the bearings. The following limits apply:
 - i. the axes of rotation of the two wheels in both the horizontal and vertical planes are not more than 20 minutes of arc out of parallel (1 mm in 200 mm)

- ii. the planes of rotation through the centres of the two wheels (tracking planes), measured at the two axes of rotation, not more than 0.8 mm apart, and
- iii. abrasive grit feeder and water feed control capable of delivering abrasive and water between the road wheel and the rubber-tyred wheel at the prescribed feed rates.

3.2 Pendulum friction tester, comprising a tester and auxiliary scale constructed in accordance with details available from the Australian Road Research Board, Melbourne. All bearings and working parts of the instrument are enclosed as far as possible and all materials used suitably treated to prevent corrosion under wet conditions. Use and store the pendulum friction tester in a dust-free environment that is not subject to a large temperature variation. Calibrate the tester to ensure compliance with the following requirements at intervals not exceeding two years or when results obtained from the friction tester control specimens vary from the established values by more than three units. The tester, will consist of the following:

- a) Spring-loaded rubber slider mounted on the end of a pendulum so that the sliding edge is 515 mm from the axis of suspension. The sliding edge is square, clean cut and free from contamination. The rubber slider is to be 24 mm long, 32 mm wide and 6 mm thick with a rigid back. The rubber slider and rigid backing plate have a total mass of 20 g.
- b) Avoid handling of the surface of a rubber slider and, when not in use, sliders are stored in the dark at a temperature between 10°C and 25°C. Discard a slider when:
 - i. more than 12 months old from the date stamped on the slider
 - ii. it does not comply with the requirements of Table 2, or
 - iii. it does not comply with Step 5.6.8.
- c) The mass of the pendulum including the slider is 1.50 kg with the centre of gravity lying on the axis of the pendulum at a distance of 410 mm from the centre of suspension. Mount the slider on an axis set at an angle of 25 degrees to the horizontal when the pendulum is at the lowest point of its swing, so that only the rear edge of the slider contacts the test surface. The slider can turn about its axis without obstruction to follow unevenness of the surface. Spring load the slider against the test surface. The calibration procedure will set the nominal static force on the slider.
- d) Means for levelling the instrument.
- e) Means for raising and lowering the axis of suspension of the pendulum so that the slider can:
 - i. swing clear of the surface of the specimen, and
 - ii. be set to slide over a fixed length of the surface.
- f) Means for holding and releasing the pendulum so that it falls freely from a horizontal position.
- g) Pointer balanced about the axis of suspension, indicating the position of the pendulum throughout its forward swing and moving over the circular scale attached to the instrument. The mass of the pointer, excluding felt friction washers, is not more than 85 g. The friction in the pointer mechanism is adjustable so that, with the pendulum swinging freely from a horizontal position, will bring the outward tip of the pointer to rest on the forward swing of the pendulum at a point 10 mm below the horizontal, the point corresponding to the zero position on the attached circular scale, and
- h) Specimen holder for rigidly locating the specimens so that:

- i. the specimen is bisected by a vertical plane perpendicular to the frame of the instrument and passing through the axis of suspension of the pendulum
 - ii. the slider and pendulum will pass over the specimen in the direction of polishing, and
 - iii. the full width of the slider will contact only the polished area of the specimen over the full contact length as described in Step 5.8.6.
- 3.3 Drying ovens:
 - a) oven of suitable capacity, having a temperature of 45-50°C and complying with AS 1141.2, and
 - b) oven of suitable capacity, having a temperature of 105-110°C and complying with AS 1141.2.
- 3.4 Thermometer, a liquid-in-glass thermometer or other suitable temperature-measuring device with a temperature range including 0°C to 50°C, graduated in subdivisions of 1°C or less and have an uncertainty of no more than 0.5°C.
- 3.5 Moulds, accurately machined metal moulds for preparing longitudinally curved specimens of the following dimensions:
 - a) radius of curvature of the outer face of 203 mm
 - b) radius of curvature of the inner face equal to the periphery of the road wheel
 - c) outer face curved length of 90 mm
 - d) width of 45 mm, and
 - e) thickness of not less than 12 mm.
- 3.6 Sieve, a 9.50 mm sieve complying with ISO 3310.
- 3.7 Slotted sieve, having apertures of about 40 mm in length and 7.2 ± 0.1 mm in width.
- 3.8 Clock or timing device, preferably fitted with an alarm.
- 3.9 Water spray bottle, containing clean potable water.
- 3.10 Apparatus for specimen preparation for either of the following:
 - 3.10.1 Specimens prepared using sand-cement mortar:
 - a) three lengths of wire for each specimen, of about 1 mm in diameter and 75 mm in length
 - b) straight-edge steel screeding block, of about 200 mm in length, and
 - c) assorted equipment, such as spatula, stiff bristle brush, fine-haired brush, tray, rubber bands, thin plastic sheeting.
 - 3.10.2 Specimens prepared using resin:
 - a) disposable cups
 - b) metal plate accurately formed to the inner radius of the metal mould, a little larger than the mould and with holes drilled in it
 - c) weight of 2 kg minimum mass or clamp
 - d) two fine-haired brushes, of about 3 mm size, and
 - e) metal blade.

4 Materials

The following materials are required:

- 4.1 Reference aggregate, aggregate from a specified source for which the known polished aggregate friction value is within the range 48 to 54 or 43 to 49 (Note 8.1).
- 4.2 Black silicon carbide F320, oven dried at a minimum temperature of 105°C to a free flowing condition and complying with AS 4518.2 (Note 8.2).
- 4.3 Optical emery F600, oven dried at a minimum temperature of 105°C to a free flowing condition and complying with AS 4518.2 (Note 8.2).
- 4.4 Fine sand passing a 0.300 mm sieve.
- 4.5 Light oil (Note 8.2).
- 4.6 Materials for specimen preparation for either of the following:
 - 4.6.1 Specimens prepared using sand-cement mortar:
 - a) fresh high alumina cement (Note 8.2).
 - 4.6.2 Specimens prepared using resin:
 - a) polyester or epoxy resin and hardener (Note 8.2), and
 - b) solvent, such as a mixture of 90 per cent acetone and 10 per cent kerosene (by volume) to clean apparatus (Note 8.2).

5 Procedure

The procedure shall be as follows:

5.1 Test material preparation

- 5.1.1 Obtain a representative sample of the test material containing about 5 kg of material passing the 9.50 mm sieve.
- 5.1.2 Sieve the sample over the 9.50 mm sieve and discard the particles retained.
- 5.1.3 Sieve the material passing the 9.50 mm sieve over the slotted sieve and discard the material passing.
- 5.1.4 Wash the particles retained on the slotted sieve to remove surface dust and dry the particles at a temperature not exceeding 50°C.

5.2 Specimen preparation

- 5.2.1 Select the aggregate particles to be used in specimen preparation carefully so that the surface texture of the particles which are to be exposed to the polishing action of the tyre is typical of the average surface texture of the material under test. Select the particles as follows:
 - a) Sort sufficient of the aggregate particles prepared in Steps 5.1.1 to 5.1.4 to remove all particles having:
 - i. a very rough or very smooth surface texture, that is, texture exhibited by less than 5 per cent of the aggregate particles.
 - ii. a length greater than 20 mm.
 - iii. an inability to rest securely on their flattest face, that is, particles that rock when touched.

- b) Remove additional aggregate particles if necessary to ensure that, within the total number of particles rejected, there are equal numbers of roughly and smoothly textured particles.
 - c) Where the aggregate particles are derived from a non-homogeneous material, remove further particles if necessary to ensure that the proportional representation of the different materials in the selected and rejected particles is the same.
- 5.2.2 Place selected particles in the bottom of the mould with their flattest face downwards. Place the particles close together (almost touching) to form a stone mosaic but avoid regularity of pattern. About 35 to 50 particles will usually be required. For non-homogeneous materials, the proportional representation of the different materials within the specimen is to be the same as that determined in Step 5.2.1c).
- 5.2.3 Fill all interstices between the particles to roughly half of their depth with fine sand.
- 5.2.4 Complete specimen preparation using either sand-cement mortar or resin as follows:
- a) Sand-cement mortar:
 - i. Spray the assembly with a fine spray of water until the sand is thoroughly wet.
 - ii. Lightly oil the internal surfaces of the mould to the level of the sand.
 - iii. Using equal portions by mass of fine sand and high alumina cement, prepare a sand-cement mortar, mixed with sufficient water to provide a free-flowing consistency so that the mortar is able to penetrate easily between the particles.
 - iv. Partially fill the mould with mortar, lay three pieces of wire longitudinally and evenly spaced in the mould as reinforcement and fill the mould to overflowing.
 - v. After the mortar has set sufficiently to be worked without tearing but firm enough to retain its shape when not under pressure (between 3 hours and 6 hours), use the steel block to screed the mortar so that the surface becomes smooth and level with the curved sides of the mould.
 - vi. Cover the surface of the mortar in the mould with a water saturated cloth and allow it to cure for at least 24 hours.
 - vii. Mark the sample number on the specimen and remove the specimen from the mould. Use a stiff bristle brush and running water to remove sand from the interstices between the particles. If mortar has penetrated through to the surface of the specimen, completely remove the mortar or discard the specimen.
 - viii. Cure the specimen under water for about 4 days with the particle surface downwards.
 - b) Resin:
 - i. Level the sand in the mould with a fine-haired brush.
 - ii. Lightly oil the metal plate and top edges and all exposed internal surfaces of the mould.
 - iii. Mix the hardener and resin in a disposable cup in the proportions recommended by the manufacturer. The consistency of the mixture permits it to flow freely around the particles and, if necessary, thin the mixture with the solvent.

- iv. Fill the mould to overflowing with the mixed resin. Immediately press the metal plate against the mould, squeezing the surplus resin out through the holes in the plate. Remove surplus resin using the metal blade.
 - v. To prevent distortion of the resin during setting, press the metal plate against the mould using the weight or clamp. Allow the resin to set and cool (about 30 minutes after mixing).
 - vi. Mark the sample number on the specimen and remove the specimen from the mould. Use a stiff bristle brush and running water to remove sand from the interstices between the particles. If resin has penetrated through to the surface of the specimen, completely remove the resin or discard the specimen.
 - vii. Cure the specimen in air for at least 30 minutes.
- 5.2.5 Repeat Steps 5.2.2 to 5.2.4 to prepare four specimens for each sample and at least two reference specimens.
- 5.2.6 Clean the specimens thoroughly, soak them under water for 30 minutes and then test each specimen as follows:
- a) Install a conditioned rubber slider on the friction tester, ensuring the correct positioning of the two washers and spring.
 - b) Raise the axis of the suspension of the pendulum so that it swings freely. Adjust the friction rings in the pointer mechanism so that, when the pendulum and pointer are released from the right hand horizontal position, the pointer will zero repeatedly.
 - c) Position the specimen in the specimen holder.
 - d) Check that the trailing edge of the slider is parallel to the minor axis of the polished area of the specimen when the pendulum hangs freely at the bottom of its swing.
 - e) Adjust the height of the axis of suspension of the pendulum so that the entire trailing edge of the slider is in contact with the polished area of the specimen while traversing the specimen surface. The trailing edge of the slider is to be in contact with the specimen over an arc length of 75 ± 1 mm while traversing the curved surface.
 - f) Return the pendulum to its horizontal position and move the pointer against its stop.
 - g) Wet the surface of the specimen using the water spray bottle.
 - h) Release the pendulum from its horizontal position and allow the pendulum and pointer to swing over the specimen. To avoid damage to the slider, catch the pendulum on its return swing, lift the slider and return the pendulum to the horizontal position.
 - i) Multiply the reading on the auxiliary scale by 100 and record the value. Move the pointer against its stop.
 - j) Repeat Steps 5.2.6 g) to 5.2.6 h) to obtain values from five successive swings. Successive swings of the pendulum should always show the same or a lower friction value. If the second, third, fourth or fifth swing shows a higher value than any of the preceding values, a fault is indicated and must be rectified before proceeding. Usually, the fault is an increased contact length between slider and specimen. Check the contact length and reset if necessary.
 - k) Calculate the average of the last three values recorded for each specimen and record this average as the specimen mean value.

5.2.7 Accept the specimens provided that:

- a) the range of the four specimen mean values does not exceed 5 units.
- b) if the specimens are reference specimens, the specimen mean value falls within the range 65 to 80 (Panmure) or 60 to 68 (UK) inclusive.

Otherwise, reject one or more specimens as necessary and prepare additional specimens in accordance with Step 5.2 until a set of specimens is prepared which complies with these requirements.

5.3 Conditioning new rubber tyres

Condition new rubber tyres as follows:

5.3.1 Make up a road wheel of 14 used reference specimens. Avoid looseness of fit and ensure that the outer surface of the specimens is essentially continuous (see Step 5.4.2).

5.3.2 Assemble the accelerated polishing machine using the tyre required for coarse polishing. Polish the specimens as follows:

- a) Lower the rubber-tyred wheel to bear on the surface of the specimens and start the machine. It is preferable that polishing be carried out at an air temperature in the vicinity of 23°C.
- b) Adjust the grit feeder to feed silicon carbide onto the surface of the specimens at a rate of about 2.0 ± 0.5 g/min. Feed water onto the surface of the specimens at a rate of about four times the grit feed rate so that the abrasive and water are uniformly spread over the surface of the specimens (Note 8.3).
- c) Check the feed rate every 30 minutes by collecting a sample of the dry abrasive from the grit feeder for a 30 second period and weighing. Allow the polishing and water feed to continue during the sampling period. Adjust the feed rate as required.
- d) Interrupt the polishing after two hours and remove the used silicon carbide from the base of the machine and above the rubber tyre to prevent build-up and possible fouling. Continue the polishing as described in Steps 5.3.2 b) and 5.3.2 c) until the total polishing time is $3 \text{ h} \pm 1 \text{ min}$ (Note 8.4).
- e) Remove the machine guards, grit feeder, rubber-tyred wheel and road wheel and thoroughly clean these components and the machine. Remove the specimens from the road wheel and use a stiff bristle brush and running water to remove all traces of abrasive.
- f) Mark the direction of rotation of the tyre.

5.3.3 Assemble the accelerated polishing machine as described in Step 5.3.1 using the tyre required for fine polishing. Polish the specimens as described in Step 5.3.2 except that optical emery is used as the abrasive, feed rate checks are performed at 15 minute intervals and polishing is terminated after $2 \text{ h} \pm 1 \text{ min}$.

5.4 Polishing of specimens

5.4.1 Obtain and number the 14 specimens for the road wheel as follows:

- a) The two reference specimens are numbered 13 and 14.
- b) If polishing specimens from three samples, number consecutively 1 to 4, 5 to 8 and 9 to 12.

- c) If polishing specimens from two samples, number consecutively 1 to 4 and 5 to 8.
 - d) If polishing specimens from one sample, number consecutively 1 to 4.
 - e) If polishing fewer than three samples, use an appropriate number of dummy specimens to make up the number (Note 8.5). When these are used, number them 9 to 12 or 5 to 12 depending on whether four or eight dummy specimens are required.
 - f) Mark each specimen on the underside surface with an arrow in the longitudinal direction of rotation of the tyre.
- 5.4.2 Clamp the 14 specimens around the periphery of the road wheel in the following order and with the arrows pointing in the direction of road wheel rotation:
13, 4, 5, 8, 7, 1, 10, 14, 3, 11, 12, 2, 6, 9.
- If there is any looseness of fit, insert strips of thin plastic sheeting or similar material between adjacent specimens and between the underside of the specimens and the periphery of the road wheel as required. The outer surface of the specimens must form an essentially continuous strip of particles with a periphery of 406 mm diameter, upon which the rubber-tyred wheel is to ride freely without any bumping or slipping.
- 5.4.3 Assemble the accelerated polishing machine with the tyre conditioned with coarse abrasive, ensuring that the tyre rotates in the direction marked on its side during conditioning.
- 5.4.4 Lower the rubber-tyred wheel to bear on the surface of the specimens and start the machine. It is preferable that polishing be carried out at an air temperature in the vicinity of 23°C.
- 5.4.5 Adjust the grit feeder to feed silicon carbide onto the surface of the specimens at a rate of about 2.0 ± 0.5 g/min. Feed water onto the surface of the specimens at a rate of about four times the grit feed rate so that the abrasive and water are uniformly spread over the surface of the specimens (Note 8.3).
- 5.4.6 Check the feed rate every 30 minutes by collecting a sample of the dry abrasive from the grit feeder for a 30 second period and weighing. Allow the polishing and water feed to continue during the sampling period. Adjust the feed rate as required.
- 5.4.7 Interrupt the polishing after two hours and remove the used silicon carbide from the base of the machine and above the rubber tyre to prevent build-up and possible fouling. Continue the polishing as described in Steps 5.4.5 and 5.4.6 until the total polishing time is $3 \text{ h} \pm 1 \text{ min}$ (Note 8.4).
- 5.4.8 Remove the machine guards, grit feeder, rubber-tyred wheel and road wheel and thoroughly clean these components and the machine. Remove the specimens from the road wheel and use a stiff bristle brush and running water to remove all traces of abrasive.
- 5.4.9 Repeat Steps 5.4.2 to 5.4.8 except use optical emery as the abrasive, perform feed rate checks at 15 minute intervals and terminate polishing after $2 \text{ h} \pm 1 \text{ min}$ (Note 8.6).
- 5.4.10 Soak all specimens face downwards under water at a temperature of $23 \pm 2^\circ\text{C}$ for at least 30 minutes. At no time prior to friction testing, allow test specimens or reference specimens to dry out.
- 5.5 Adjusting the friction tester equipment**
- 5.5.1 Bring the pendulum apparatus, the contents of the water spray bottle and the temperature of the room in which friction testing is to be carried out to $23 \pm 2^\circ\text{C}$ at least two hours before friction testing and maintain at this temperature until testing is completed. Record the room

temperature at the time of testing. It is desirable that this temperature requirement is met. If this cannot be achieved, correct the results in accordance with Step 6.2.3.

- 5.5.2 Mount the friction tester on its base and adjust the levelling screws so that the levelling bubble is centred and the tester is appropriately aligned with the specimen.

5.6 Conditioning rubber sliders

Sliders are dry conditioned before their first use and may be reused provided they are wet conditioned and checked as detailed in Steps 5.6.6 to 5.6.8 (Note 8.7 and 8.8). Dry condition two new rubber sliders on the day of the test as follows:

- 5.6.1 Select a conditioning specimen (Note 8.9).
- 5.6.2 Install the first rubber slider on the friction tester, ensuring the correct positioning of the two washers and spring.
- 5.6.3 Perform dry conditioning of the first rubber slider as follows:
- Raise the axis of the suspension of the pendulum so that it swings freely. Adjust the friction rings in the pointer mechanism so that, when the pendulum and pointer are released from the right hand horizontal position, the pointer will zero repeatedly.
 - Position the specimen in the specimen holder so that the slider traverses the specimen against the direction of the arrow.
 - Check that the trailing edge of the slider is parallel to the minor axis of the polished area of the specimen when the pendulum hangs freely at the bottom of its swing.
 - Adjust the height of the axis of suspension of the pendulum so that the entire trailing edge of the slider is in contact with the polished area of the specimen while traversing the specimen surface. The trailing edge of the slider is to be in contact with the specimen over an arc length of 75 ± 1 mm while traversing the curved surface.
 - Return the pendulum to its horizontal position and move the pointer against its stop.
 - Release the pendulum from its horizontal position and allow the pendulum and pointer to swing over the specimen. To avoid damage to the slider, catch the pendulum on its return swing, lift the slider and return the pendulum to the horizontal position.
 - Perform Step 5.6.3 f) a further four times.
- 5.6.4 Repeat Steps 5.6.2 to 5.6.3 using the second rubber slider.
- 5.6.5 Install the first rubber slider on the friction tester, ensuring the correct positioning of the two washers and spring.
- 5.6.6 Perform wet conditioning of the first rubber slider as follows:
- Raise the axis of the suspension of the pendulum so that it swings freely. Adjust the friction rings in the pointer mechanism so that, when the pendulum and pointer are released from the right hand horizontal position, the pointer will zero repeatedly.
 - Position the specimen in the specimen holder so that the slider traverses the specimen against the direction of the arrow.
 - Check that the trailing edge of the slider is parallel to the minor axis of the polished area of the specimen when the pendulum hangs freely at the bottom of its swing.
 - Adjust the height of the axis of suspension of the pendulum so that the entire trailing edge of the slider is in contact with the polished area of the specimen while traversing the

specimen surface. The trailing edge of the slider is to be in contact with the specimen over an arc length of 75 ± 1 mm while traversing the curved surface.

- e) Return the pendulum to its horizontal position and move the pointer against its stop.
- f) Wet the surface of the specimen using the water spray bottle.
- g) Release the pendulum from its horizontal position and allow the pendulum and pointer to swing over the specimen. To avoid damage to the slider, catch the pendulum on its return swing, lift the slider and return the pendulum to the horizontal position.
- h) Repeat Step 5.6.6 g) until the slider has moved 20 times across the wet conditioning specimen.
- i) Note the readings from the last five swings, multiply each reading by 100 and record these values. Calculate the average of the last three values and record this average as the slider mean value.

5.6.7 Repeat Steps 5.6.5 to 5.6.6 for the second rubber slider.

5.6.8 Compare the slider mean values with the minimum acceptable value of 48 (Panmure) or 43 (UK) and proceed as follows:

- a) If the slider mean values for both sliders are not less than 48 (Panmure) or 43 (UK) and the two slider values differ by no more than two units, these sliders may be used in friction testing. If the slider values differ by more than two units, condition additional sliders until a pair of sliders complying with these requirements is available.
- b) If the slider mean value for one of the sliders is less than 48 (Panmure) or 43 (UK), the fault is assumed to be in the slider. Reject this slider and condition a replacement slider.
- c) If the slider mean values for both sliders are less than 48 (Panmure) or 43 (UK), the fault may lie with either the conditioning specimen or the friction tester. Reject the conditioning specimen and substitute a recently prepared conditioning specimen. Condition either the other edge of the sliders or new sliders if the other edge has previously been used, paying particular attention to the setting of the contact length of the slider with the specimen.
- d) If after a second conditioning run, both sliders have mean values less than 48 (Panmure) or 43 (UK), the fault is assumed to be in the friction tester or polishing procedures. Both slider edges are not be used and testing will not proceed until the fault is identified and remedied.

5.7 Friction tester checking

5.7.1 Soak the set of friction tester control specimens in water at a temperature of $23 \pm 2^\circ\text{C}$ for a period of at least 30 minutes (Note 8.10).

5.7.2 Perform the checking of the friction tester using the first of the conditioned rubber sliders as follows:

- a) Install a conditioned rubber slider on the friction tester, ensuring the correct positioning of the two washers and spring.
- b) Raise the axis of the suspension of the pendulum so that it swings freely. Adjust the friction rings in the pointer mechanism so that, when the pendulum and pointer are released from the right hand horizontal position, the pointer will zero repeatedly.
- c) Select a control specimen.

- d) Position the specimen in the specimen holder so that the slider traverses the specimen against the direction of the arrow.
 - e) Check that the trailing edge of the slider is parallel to the minor axis of the polished area of the specimen when the pendulum hangs freely at the bottom of its swing.
 - f) Adjust the height of the axis of suspension of the pendulum so that the entire trailing edge of the slider is in contact with the polished area of the specimen while traversing the specimen surface. The trailing edge of the slider is to be in contact with the specimen over an arc length of 75 ± 1 mm while traversing the curved surface.
 - g) Return the pendulum to its horizontal position and move the pointer against its stop.
 - h) Wet the surface of the specimen using the water spray bottle.
 - i) Release the pendulum from its horizontal position and allow the pendulum and pointer to swing over the specimen. To avoid damage to the slider, catch the pendulum on its return swing, lift the slider and return the pendulum to the horizontal position.
 - j) Multiply the reading on the auxiliary scale by 100 and record the value. Move the pointer against its stop.
- 5.7.3 Repeat Steps 5.7.2 h) to 5.7.2 j) to obtain values from five successive swings. Successive swings of the pendulum should always show the same or a lower friction value. If the second, third, fourth or fifth swing shows a higher value than any of the preceding values, a fault is indicated and must be rectified before proceeding. Usually, the fault is an increased contact length between slider and specimen. Check the contact length and reset if necessary.
- 5.7.4 Repeat Step 5.7.2 c) to 5.7.3 for the remaining control specimens.
- 5.7.5 Repeat Steps 5.7.2 to 5.7.4 for the second of the newly conditioned rubber sliders.
- 5.7.6 Record the air temperature to the nearest 1°C (T_1).
- 5.7.7 Calculate and correct the specimen mean value as detailed in Step 6.1 for each control specimen.
- 5.7.8 If any one of the friction tester control specimens has a corrected specimen mean value which is more than two units lower or one unit higher than its known value, discontinue testing until the cause of the discrepancy has been traced.

5.8 Friction testing

Perform friction testing of each specimen at a temperature of $23 \pm 2^{\circ}\text{C}$ as follows:

- 5.8.1 Install a conditioned rubber slider on the friction tester, ensuring the correct positioning of the two washers and spring.
- 5.8.2 Raise the axis of the suspension of the pendulum so that it swings freely. Adjust the friction rings in the pointer mechanism so that, when the pendulum and pointer are released from the right hand horizontal position, the pointer will zero repeatedly.
- 5.8.3 Select a specimen. Specimens are tested with the first conditioned slider in the following order except that dummy specimens are not tested:
13, 1, 3, 5, 7, 9, 11.
- 5.8.4 Position the specimen in the specimen holder so that the slider traverses the specimen against the direction of the arrow.

- 5.8.5 Check that the trailing edge of the slider is parallel to the minor axis of the polished area of the specimen when the pendulum hangs freely at the bottom of its swing.
- 5.8.6 Adjust the height of the axis of suspension of the pendulum so that the entire trailing edge of the slider is in contact with the polished area of the specimen while traversing the specimen surface. The trailing edge of the slider is to be in contact with the specimen over an arc length of 75 ± 1 mm while traversing the curved surface.
- 5.8.7 Return the pendulum to its horizontal position and move the pointer against its stop.
- 5.8.8 Wet the surface of the specimen using the water spray bottle.
- 5.8.9 Release the pendulum from its horizontal position and allow the pendulum and pointer to swing over the specimen. To avoid damage to the slider, catch the pendulum on its return swing, lift the slider and return the pendulum to the horizontal position.
- 5.8.10 Multiply the reading on the auxiliary scale by 100 and record the value. Move the pointer against its stop.
- 5.8.11 Repeat Steps 5.8.8 to 5.8.10 to obtain values from five successive swings. Successive swings of the pendulum should always show the same or a lower friction value. If the second, third, fourth or fifth swing shows a higher value than any of the preceding values, a fault is indicated and must be rectified before proceeding. Usually, the fault is an increased contact length between slider and specimen. Check the contact length and reset if necessary.
- 5.8.12 Repeat Steps 5.8.3 to 5.8.11 for the remaining specimens to be tested using the first conditioned slider.
- 5.8.13 Replace the slider with the second conditioned slider and repeat Steps 5.8.3 to 5.8.11 except that specimens are tested in the following order:
12, 10, 8, 6, 4, 2, 14.
- 5.8.14 Record the air temperature to the nearest 1°C (T_2).

6 Calculations

Calculations shall be as follows:

6.1 Control specimens

- 6.1.1 Calculate the average of the last three values recorded for each control specimen and record this average as the control specimen mean value.
- 6.1.2 Correct each control specimen mean value to 23°C :

$$\text{CSM}_C = \text{CSM}_T \left(\frac{T_1 + 100}{123} \right)$$

where CSM_C = control specimen mean value corrected to 23°C
 CSM_T = control specimen mean value at the test temperature
 T_1 = recorded air temperature ($^{\circ}\text{C}$)

6.2 Friction testing

- 6.2.1 Calculate the average of the last three values recorded for each specimen and record this average as the specimen mean value.

- 6.2.2 Calculate the average of the specimen mean values for each sample and record this value as the sample mean value to the nearest whole number. Reject any sample mean value for which the range of the specimen mean values exceeds five.
- 6.2.3 Correct each sample mean value to 23°C:

$$SMV_C = SMV_T \left(\frac{T_2 + 100}{123} \right)$$

- where SMV_C = sample mean value corrected to 23°C
 SMV_T = sample mean value at the test temperature
 T_2 = recorded air temperature (°C)

- 6.2.4 Reject all sample mean values from the test if the value of SMV_C for the reference aggregate falls outside the range of 48 to 54 (Panmure) or 43 to 49 (UK). New specimens will then be prepared, polished and tested (Note 8.11).
- 6.2.5 Calculate the PAFV for each sample as follows:

$$PAFV = SMV_C + PFV_R - SMV_R$$

- where $PAFV$ = polished aggregate friction value
 PFV_R = polished friction value of reference aggregate, Panmure = 51 and UK = 46
 SMV_C = sample mean value of the test aggregate corrected to 23°C
 SMV_R = sample mean value of the reference aggregate corrected to 23°C

7 Reporting

The following shall be reported:

- 7.1 The PAFV for the test sample to the nearest whole unit, for example PAFV=39.
- 7.2 The sample mean value corrected to a temperature of 23°C for the test sample prior to polishing.
- 7.3 Source of reference aggregate (Panmure or UK).
- 7.4 The PAFV and the initial sample mean value for the reference aggregate (Panmure or UK).
- 7.5 The air temperature at the time when the friction test was performed.

8 Notes on method

- 8.1 Reference specimens incorporating reference aggregate are used in the conditioning of a new tyre and as reference specimens in each test. It is convenient to prepare a number of reference specimens at the one time, storing those not immediately required. The reference aggregate may be either:
- 8.1.1 Australian Standard Reference Aggregate, known as Panmure basalt, which is available from either Australian Road Research Board, Melbourne or the Department of Transport and Main Roads, Herston, Queensland.
- 8.1.2 UK Reference Aggregate which is available from Wessex Engineering, United Kingdom.

- 8.2 Before handling silicon carbide, optical emery, oil, high alumina cement, polyester resin, epoxy resin, acetone or kerosene, the operator should consult the relevant SDS. Specimen moulds should only be prepared in a well ventilated room.
- 8.3 Silicon carbide or optical emery as appropriate is fed into a chute via a suitable feed mechanism and water is fed by gravity flow at an adjustable rate into the same chute. The feed rates and the positioning of the chute will be such that there will be no clogging of the chute. Continuously feed the mixture of abrasive and water directly onto the road wheel near, and ahead of, the point of contact with the rubber -tyred wheel in such a way there is a uniform spread of the abrasive and water over the surface of the specimens when the road wheel contacts the tyre.
- 8.4 If it is not possible for all the procedures involving polishing, soaking and testing to be carried out in a single working day, the preferred point to interrupt the procedure is after polishing with silicon carbide. Place the specimens under water overnight and commence the following day by polishing with optical emery and continue with soaking and testing without further interruptions.
- 8.5 Dummy specimens are specimens which have been polished and tested and would otherwise be discarded. They are used to make up the number of specimens to fourteen when fewer than twelve test specimens are to be polished.
- 8.6 Thorough cleaning of the specimens is often more difficult after polishing with optical emery than after polishing with silicon carbide, but it is even more important because the slightest trace of optical emery on or between the particles will cause a lowering of the polished aggregate friction value.
- 8.7 Two sliders are used in a test run to even out the effects of wear on a slider during a run and to facilitate differentiation between a faulty slider and a defective instrument. Each slider is reversible and has two edges which can be conditioned for use. Both edges may be used but not for the same test run and each edge is used on only one test run.
- 8.8 To commission new sliders, it is desirable to have access to reference specimens already tested and validated. In the absence of these, on the very first run, one of the specimens incorporating reference aggregate will be required to act as a conditioning specimen and this must not be soaked after polishing. Also in this case, if the specimen mean value of the conditioning specimen is below 48 (Panmure) or 43 (UK) or the sample mean value for the reference specimens is not within the range 48 to 54 (Panmure) or 43 to 49 (UK), it is necessary to discard the two sliders and all specimens from the run.
- 8.9 Conditioning specimens are specimens incorporating the reference aggregate which are prepared and polished in the same manner but not necessarily at the same time as test specimens. They are used to condition new rubber sliders for use in the friction tester. Reference specimens from a previous test run may be used provided that their PAFV is not less than 48 (Panmure) or 43 (UK).
- 8.10 Friction tester control specimens are a set of at least three previously used specimens of known values within the range of PAFV from 40 to 70.
- 8.11 In the event that the sample mean value of the reference specimens consistently falls outside the range of 48 to 54 (Panmure) or 43 to 49 (UK), attention should be paid to the air temperature at which the polishing is carried out (preferably 23°C) in the vicinity of the polishing machine.

Table 1 – Dimensions and tolerances for PAFV apparatus

Apparatus	Dimension	Tolerance
Road wheel		
Speed (revolutions / min)	320	± 5
Solid rubber-tyred wheel		
Diameter (mm)	225	± 2
Width (mm)	35	+2, -0
Hardness (Shore A)	60	± 5
Bearing force (N)	390	± 5
Pendulum friction tester		
Distance of sliding edge from axis of suspension (mm)	515	± 2
Length of rubber slider (mm)	24	± 1
Width of rubber slider (mm)	32	± 1
Thickness of rubber slider (mm)	6	± 1
Mass of rubber slider and backing plate (g)	20	± 5
Mass of slider and pendulum (kg)	1.50	± 0.03
Distance from centre of gravity of pendulum to the centre of suspension (mm)	410	± 5
Angle of slider to horizontal at lowest point of swing (°)	25	± 1
Mass of pointer (g)	85	maximum
Moulds		
Thickness of specimen produced (mm)	12	minimum
Slotted sieve		
Width of apertures (mm)	7.2	± 0.1

Table 2 – Properties of rubber slider

Property	Temperature (°C)				
	0	10	20	30	40
Resilience (%)*	44 to 49	58 to 65	66 to 73	71 to 77	74 to 79
Hardness (IRHD)+	55 ± 5	55 ± 5	55 ± 5	55 ± 5	55 ± 5

* Lupke rebound test in accordance with BS ISO 4662.

+ Hardness in accordance with BS ISO 48.

Test Method Q208B: Degradation factor of coarse aggregate

1 Source

This method applies the principles of AS 1141.25.2: *Degradation factor – Coarse aggregate*. It differs from this Australian Standard by minor alterations to the defined test portion and stock solution ingredients, by modifying the washing technique during preparation and after abrasion, and by directly calculating the degradation factor.

2 Scope

This method describes the procedure for the determination of the degradation factor of coarse aggregate (retained 2.36 mm sieve). The degradation factor indicates the aggregate quality by categorising the fines produced by the self-abrasion of the aggregate particles in the presence of water.

3 Apparatus

Where appropriate, the working tolerances of particular apparatus are contained in Table 1.

The following apparatus is required:

- 3.1 Shaker, a motorised shaker as illustrated in Figure 1.
- 3.2 Canister, a plastic canister fitted with a close fitting lid.
- 3.3 Test cylinder, a cylinder consisting of a transparent measuring tube and base, with a rubber or plastic stopper and graduated from the base to a height of 380 mm in increments of 5 mm.
- 3.4 Measuring cylinders:
 - 3.4.1 500 mL measuring cylinder graduated at 100 mL intervals with a rubber or plastic stopper.
 - 3.4.2 10 mL measuring cylinder graduated at 1 mL intervals.
- 3.5 Sieves:
 - 3.5.1 19.0 mm, 13.2 mm, 9.50 mm, 6.70 mm, 4.75 mm and 2.36 mm sieves complying with ISO 3310.
 - 3.5.2 2.36 mm sieve of 300 mm diameter and complying with ISO 3310.
 - 3.5.3 Reinforced 0.075 mm sieve of 300 mm diameter and complying with ISO 3310.
- 3.6 Funnel, a funnel having an internal diameter of approximately 325 mm.
- 3.7 Timer, a timer capable of measuring at least 20 minutes and reading in minutes and seconds.
- 3.8 Water sprayer, such as a vegetable sprayer connected to a mains pressure water supply.
- 3.9 Wash bottle with a fine jet.
- 3.10 Wash bowls, four metal bowls, approximately 180 mm diameter and 100 mm deep.
- 3.11 Drying oven of suitable capacity, having a temperature of 105-110°C and complying with AS 1141.2.
- 3.12 Balances:
 - a) balance of suitable capacity, having a resolution of at least 0.1 g and with a limit of performance within the range of ± 0.5 g, and

- b) balance of suitable capacity, having a resolution of at least 0.01 g and with a limit of performance within the range of ± 0.05 g for weighing reagents.

4 Reagents

The following reagents are required:

4.1 Stock solution:

- Prepare by dissolving 21.9 ± 0.2 g of calcium chloride hexahydrate (AR grade) and 48.0 ± 0.5 g of glycerine (99% glycerol (LR grade)) in distilled water and making up to 100 mL (Notes 10.1, 10.2, 10.3 and 10.4).

- 4.2 Record the date of preparation of the stock solution on the reagent bottle. Use the stock solution for 5 days from the date of preparation after which fresh stock solution needs to be prepared.

5 Sample preparation

The sample shall be prepared as follows:

- 5.1 Prepare the bulk sample as detailed in Section 5 of Test Method Q101 to produce a representative subsample of appropriate size.

- 5.2 Prepare a representative subsample to provide a test portion containing the fractions in Table 2 as follows:

- 5.2.1 Screen the subsample through each of the sieves listed in Table 2 in turn, breaking up aggregations of fines either by hand or by using a rubber pestle and mortar such that discrete particles are not broken.

- 5.2.2 Where difficulty exists in ascertaining whether particles are discrete or, in fact, aggregations of fines, a small number of such particles should be placed in water and boiled. If disaggregation occurs, such particles shall be considered as aggregations of fines.

- 5.2.3 Discard the material retained on the largest sieve and the material passing the smallest sieve.

- 5.2.4 Place the fractions in separate wash bowls and wash each fraction using clean water until all coatings of fines have been removed from the surface of the particles. Use the procedure and observe the precautions detailed below.

- a) Wash each fraction in turn as follows:

- i. Hold the bowl at about a 45° angle in a sink and use the water sprayer to wash the particles, changing the orientation of the bowl to expose all particles to the water stream.
- ii. Stop washing when the bowl is full and decant the wash water, ensuring only clay-sized particulates run to waste.
- iii. Repeat the washing and decanting until the surface of the particles first appear clean to the naked eye.

- b) While the wash water is usually clean once all coatings of fines have been removed, some discrete rock particles will slowly break down when subjected to a stream of water. This is evidenced by discolouration of the wash water. In such cases, discontinue washing once the surface of the particles first appear clean to the naked eye (Note 10.4).

- 5.2.5 Place each washed fraction in the oven in its wash bowl and dry until a constant mass has been reached, recording the mass at each weighing.

- 5.2.6 Reduce each dried fraction to the required mass as per Table 2, using appropriately sized sample splitters as detailed in Test Method Q101 Step 5.3. Ensure each resultant subsample is representative of the washed fraction and includes any rock fragments and fines. Combine the four fractions to produce the test portion.

6 Procedure

The procedure shall be as follows:

- 6.1 Rinse the canister, lid, funnel, measuring cylinders, the reinforced 2.36 and 0.075 mm sieves and the test cylinder with distilled water and allow the rinsed apparatus to drain.
- 6.2 Place the test portion in the canister, together with 200 mL of distilled water.
- 6.3 Place the lid on the canister and secure the assembly in the shaker.
- 6.4 Operate the shaker for 20 minutes.
- 6.5 After the 20 minutes shaking, empty the test portion into nested 2.36 mm and 0.075 mm sieves held in the funnel over the 500 mL measuring cylinder.
- 6.6 Wash out the canister with distilled water from the water sprayer and continue to wash the aggregate with the wash water from the canister and distilled water until the measuring cylinder is full to the 500 mL mark. In order that the maximum amount of fines is deposited into the measuring cylinder, use the procedure and observe the precautions detailed below.
- 6.6.1 Wash the canister and aggregate as follows:
- a) Use a minimum amount of water to wash the canister, placing larger particles into the 2.36 mm sieve by hand. Direct the canister wash water over the material retained on the 2.36 mm sieve.
 - b) Separate and hold the 2.36 mm sieve just above the 0.075 mm sieve. Tilt the 2.36 mm sieve so that the wash water is directed over the retained 0.075 mm material. Remove fines by lightly tapping the 2.36 mm sieve and sparingly rinsing with water.
 - c) Clean the retained 0.075 mm material with water, tilting the sieve to allow drainage.
 - d) Tilt the 0.075 mm sieve and direct wash water over the back of the sieve. Remove fines by lightly tapping the back of the 0.075 mm sieve and sparingly rinsing with water.
- 6.6.2 Since some wash water will be held on and between the aggregate particles retained on the sieves and will drain slowly, the spray rate must be reduced as the level in the cylinder approaches 500 mL to prevent overfilling. The aggregate may drain 50-100 mL of wash water after the washing has ceased, thus allowance should be made for this extra wash water to drain.
- 6.6.3 With some soft discrete rock particles, the wash water will not be clear after washing.
- 6.7 Using the 10 mL measuring cylinder, transfer 7 mL of stock solution into the graduated test cylinder.
- 6.8 Stopper the 500 mL measuring cylinder and bring all solids in the wash water into suspension by inverting the cylinder end to end about ten times allowing the bubble to travel completely from one end to the other each time.
- 6.9 Immediately pour the suspension into the test cylinder to the 380 mm mark and insert the stopper.

- 6.10 Mix the contents of the test cylinder by inverting the cylinder end to end, allowing the bubble to travel completely from one end to the other. This alternating end to end mixing cycle shall be repeated 20 times in approximately 35 seconds.
- 6.11 At the conclusion of the mixing period, place the test cylinder on a bench free from vibration, remove the stopper and start the timer. Allow the test cylinder to stand undisturbed for a period of 20 minutes \pm 10 seconds.
- 6.12 After the 20 minute period, estimate and record the height of the upper surface of the flocculate column (h) to the nearest 1 mm.

7 Calculations

Calculate the degradation factor (D) as follows:

$$D = \frac{100(380-h)}{380+1.75h}$$

where D = degradation factor
h = height of flocculate column (mm)

8 Reporting

Report the degradation factor to the nearest whole number.

9 Precision

The following criteria should be used to judge the acceptability of results (95% probability).

9.1 Repeatability

Duplicate tests by the same operator are acceptable if their results do not differ by more than four units.

9.2 Reproducibility

Independent test results obtained by different operators working in different laboratories on identical samples are acceptable if the results do not differ by more than 16 units.

10 Notes on method

- 10.1 Before handling the reagents, the operator should consult the relevant SDS.
- 10.2 Due to the very hygroscopic nature of calcium chloride hexahydrate, it will begin to dissolve in the water which it attracts, even in its original container once that has been opened. However, any undissolved crystals are able to be used by simply decanting any free solution from the calcium chloride hexahydrate container before use.
- 10.3 The stock solution may be prepared using anhydrous calcium chloride (11.1 ± 0.1 g) in place of calcium chloride hexahydrate. Due to the extremely hygroscopic nature of anhydrous calcium chloride, it must be kept in a desiccator or dried in an oven at 200°C before use.
- 10.4 Insufficient washing may retain clay fines as adherent coatings. These are released subsequently during the test. On the other hand, aggressive and prolonged washing may prematurely remove hydrophilic clay minerals from the rock structure due to leaching and abrasion.

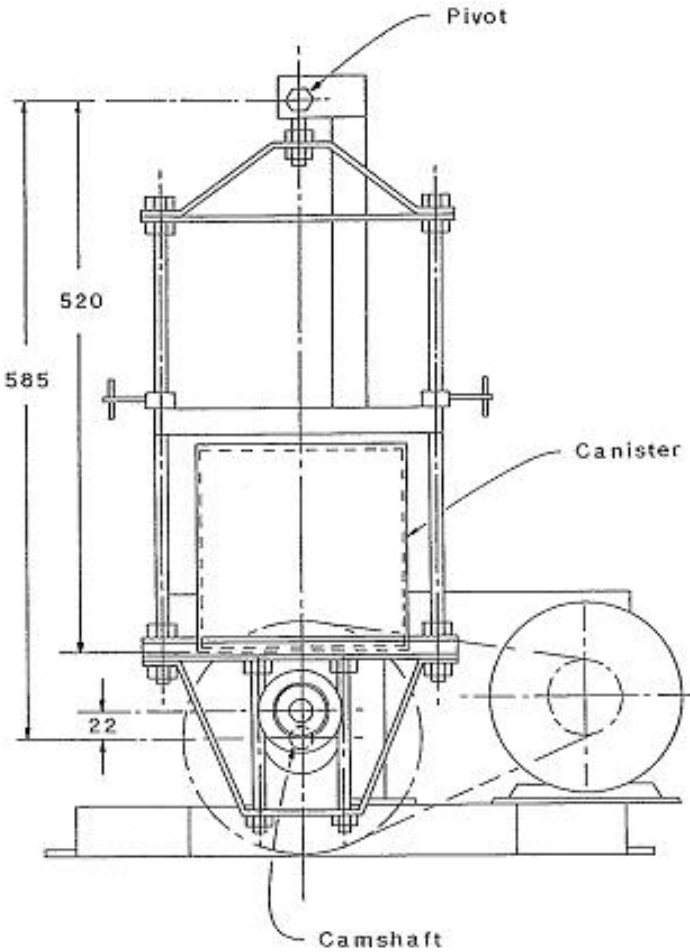
Table 1 – Specifications and working tolerances of apparatus

Item	Unit	Value	Working tolerance
Shaker			
Frequency	cycles/min	300	± 5
Throw (total)	mm	44	± 0.5
Pivot to base length	mm	520	± 5
Pivot to cam shaft length	mm	585	± 5
Canister			
Height	mm	150	approx.
Internal diameter	mm	190	± 5
Base thickness	mm	5	max.
Test cylinder			
Tube height	mm	430	approx.
Tube external diameter	mm	40	approx.
Tube internal diameter	mm	32	± 0.5

Table 2 – Mass of fractions required for test portions

Particle size (mm)	Mass of fraction (g)
13.2 to 9.50	250 ± 2.5
9.50 to 6.70	250 ± 2.5
6.70 to 4.75	250 ± 2.5
4.75 to 2.36	250 ± 2.5

Figure 1 – Motorised shaker



Test Method Q211: Binder absorption by aggregate

1 Source

This method was developed in-house using techniques evolved through internal departmental research investigations. It applies the principles of Test Method AS 1141.6.1: *Particle density and water absorption of coarse aggregate – weighing-in-water method*.

2 Scope

This method describes the procedure for determining the quantity of binder absorbed by an aggregate. Make two determinations of aggregate volume, one being the volume related to the aggregate particle density on a dry basis, and the other being the volume of the binder free aggregate following immersion of the aggregate in hot binder. Measure binder absorption by volume difference and expressed as a percentage by mass. The method is applicable to aggregates used in asphalt mix.

3 Apparatus

The following apparatus is required:

- 3.1 Test oven, an oven of suitable capacity to hold two sample containers and capable of maintaining a temperature of $150 \pm 5^\circ\text{C}$ for bitumen binders and $180 \pm 5^\circ\text{C}$ for polymer modified binders.
- 3.2 Drying oven, of suitable capacity, having a temperature of $105 - 110^\circ\text{C}$ and complying with AS 1141.2.
- 3.3 Balance, a top pan balance of suitable capacity, with a resolution of at least 0.1 g and with a limit of performance within the range of ± 0.5 g, and capable of below balance weighing.
- 3.4 Balance bench, equipped with a hole for below balance weighing.
- 3.5 Basket, a wire basket of suitable mesh and capacity to contain the aggregate sample.
- 3.6 Attachment, a non-absorbent device to suspend the wire basket under the balance and inside the water container.
- 3.7 Water container, a container fitted with an overflow and filled with clean water to the overflow. With suitable dimensions to allow the basket and sample container to be completely immersed without contacting any part of the container.
- 3.8 Sample containers, two containers of at least 4 L capacity fitted with wire handles.
- 3.9 Localised heating device, such as a heat and strip gun.
- 3.10 Thermometer, a partial or total immersion thermometer or other suitable temperature measuring device with a temperature range of at least $0 - 40^\circ\text{C}$ and graduated to 1°C or less with an uncertainty of no more than 0.5°C .
- 3.11 Stirrers, two suitable metal stirring rods or spatulas.
- 3.12 Sieve, 4.75 mm sieve complying with ISO 3310.

4 Materials

The following materials are required:

- 4.1 Cloth, suitable absorbent lintless cloth.

5 Sample preparation

The sample shall be prepared as follows:

- 5.1 Prepare the bulk sample as detailed in Section 5 of Test Method Q101 to produce a representative sample of appropriate size.
- 5.2 Further prepare the sample to produce four representative subsamples of about 1500 g retained on the 4.75 mm sieve as detailed in Test Method Q101, Subsection 6.3 for coarse fraction subsamples.

6 Bulk particle density

The following procedure shall be performed on two aggregate subsamples:

- 6.1 Immerse the aggregate subsample in water for at least 24 hours.
- 6.2 Remove the aggregate from soaking and place the aggregate one particle deep on a dry cloth.
- 6.3 Roll and wipe the particles until all visible films of water have been removed but the surfaces of the aggregate still appear damp (Note 10.1).
- 6.4 Determine the mass of the saturated surface-dry test portion (m_2).
- 6.5 Place the container directly below the hole in the balance bench and fill it until water escapes from the overflow.
- 6.6 Attach the basket to the balance so that it is completely immersed in water and determine the mass of the immersed basket (m_3).
- 6.7 Transfer the test portion to the basket and agitate the aggregate particles to remove any entrapped air.
- 6.8 Determine the mass of the immersed aggregate and basket (m_4).
- 6.9 Measure the temperature of the water in the container to the nearest 1°C.
- 6.10 Remove the aggregate from the basket and dry to a constant mass in the drying oven.
- 6.11 Determine the dry mass of the aggregate (m_1).

7 Binder absorption

The following procedure shall be performed on two aggregate subsamples:

- 7.1 Place the aggregate subsample in the drying oven and dry to a constant mass.
- 7.2 Heat the binder in the test oven until it is sufficiently fluid to pour, and pour approximately 1500 g binder into a sample container.
- 7.3 Place a stirring rod in the sample container and stir the binder to remove entrapped air. Remove any bubbles remaining on the surface of the binder using the localised heating device.
- 7.4 Allow the sample container to cool to room temperature in a dust free environment. Determine the mass of the sample container, binder and stirring rod (m_5).
- 7.5 Suspend the sample container from the balance and completely immerse it in the water container. Determine the mass of the immersed sample container, binder and stirring rod (m_6) (Note 10.2).

- 7.6 Measure the temperature of the water in the container to the nearest 1°C.
- 7.7 Dry the sample container using the lintless cloth and then place it in the test oven for four hours together with the aggregate subsample prepared in Step 7.1.
- 7.8 Remove the sample container and aggregate subsample from the oven. Carefully add the aggregate to the binder in the sample container with constant stirring, avoiding any loss of binder or aggregate.
- 7.9 Stir the mix for about 30 seconds using a circular stirring motion. Apply a localised heating device to the surface of the binder to remove any air bubbles.
- 7.10 Stir the mix progressively around the circumference of the sample container using a digging stirring motion. This involves moving the end of the stirring rod from a point of contact between the top surface of the binder and container wall, down the inside wall of the container, and along the base of the container towards its centre. Pull the stirring rod back through the binder, retracing the same path but without being fully removed from the sample (Note 10.3).
- 7.11 Apply a localised heating device to the surface of the binder to remove any air bubbles.
- 7.12 Repeat Steps 7.10 and 7.11 until no more than three air bubbles appear within 10 seconds of the completion of the stirring cycle.
- 7.13 Allow the sample container to cool to room temperature in a dust free environment. Determine the mass of the sample container, binder, stirring rod and aggregate (m_7).
- 7.14 Suspend the sample container from the balance and completely immerse it in the water container. Determine the mass of the immersed sample container, binder, stirring rod and aggregate (m_8) (Note 10.2).
- 7.15 Measure the temperature of the water in the container to the nearest 1°C.

8 Calculations

Calculations shall be as follows:

8.1 Particle density

- 8.1.1 Calculate the particle density on a dry basis for each of the two subsamples as follows:

$$\rho_{DI} = \frac{m_1 \rho_w}{m_2 - (m_4 - m_3)}$$

- where
- ρ_{DI} = subsample particle density on a dry basis (t/m^3)
 - m_1 = mass of dry aggregate (g)
 - ρ_w = density of the water at test temperature (t/m^3) (Table 1)
 - m_2 = mass of saturated surface-dry aggregate (g)
 - m_4 = mass of immersed basket and aggregate (g)
 - m_3 = mass of immersed basket (g)

- 8.2 Provided the results from the two subsamples do not differ by more than 0.030 t/m^3 , calculate the average result as the sample particle density (ρ_D) to the nearest 0.001 t/m^3 .

8.3 Binder absorption

8.3.1 Calculate the binder absorption for each of the two subsamples as follows:

$$b = 100\rho_B \left(\frac{1}{\rho_D} + \frac{(m_5 - m_6)}{(m_7 - m_5)\rho_1} - \frac{(m_7 - m_8)}{(m_7 - m_5)\rho_2} \right)$$

- where
- b = binder absorption (%)
 - ρ_B = density of binder (t/m³) (Note 10.4)
 - ρ_D = sample particle density on a dry basis (t/m³)
 - m_5 = mass of container, binder and stirring rod (g)
 - m_6 = mass of immersed container, binder and stirring rod (g)
 - m_7 = mass of container, binder, stirring rod and aggregate (g)
 - ρ_1 = density of the water at test temperature for m_6 (t/m³) (Table 1)
 - m_8 = mass of immersed container, binder, stirring rod and aggregate (g)
 - ρ_2 = density of the water at test temperature for m_8 (t/m³) (Table 1)

8.4 Provided the results from the two subsamples do not differ by more than 0.15 %, calculate the average result as the sample binder absorption to the nearest 0.01 percentage units.

9 Reporting

Report the binder absorption of the sample to the nearest 0.05 %.

10 Notes on method

- 10.1 Use a gentle current of air to accelerate drying but take care to avoid over-drying.
- 10.2 Prior to weighing, check the water container is filled to the overflow.
- 10.3 As the binder cools, the viscosity of the mix will increase. To avoid entrapment of air, slow the stirring of the mix.
- 10.4 If unknown, the binder density may be determined using Test Method Q331.

Table 1 – Water density

Test temperature (°C)	Water density (t/m ³)	Test temperature (°C)	Water density (t/m ³)
1	1.000	21	0.998
2	1.000	22	0.998
3	1.000	23	0.998
4	1.000	24	0.997
5	1.000	25	0.997
6	1.000	26	0.997
7	1.000	27	0.997
8	1.000	28	0.996

Test temperature (°C)	Water density (t/m³)	Test temperature (°C)	Water density (t/m³)
9	1.000	29	0.996
10	1.000	30	0.996
11	1.000	31	0.995
12	1.000	32	0.995
13	0.999	33	0.995
14	0.999	34	0.994
15	0.999	35	0.994
16	0.999	36	0.994
17	0.999	37	0.993
18	0.999	38	0.993
19	0.998	39	0.993
20	0.998	40	0.992

Test Method Q212B: Binder stripping value - modified plate

1 Source

This method was developed in-house and applies the principles of AS 1141.50 - 1998: *Resistance to stripping of cover aggregates from binders*.

2 Scope

This method determines the resistance to stripping of a bituminous binder from aggregate using a modified plate stripping test. It provides a more rapid estimate of binder stripping potential than that achieved using AS 1141.50. Exclusive use of either Test Method Q212B or AS 1141.50 should be made for any series of tests.

The test procedure may be varied to allow for testing with binder containing anti-stripping agents or precoated aggregates.

3 Apparatus

The following apparatus is required:

- 3.1 Test plates, metal plates of 150 mm diameter with raised edges (for example, press-on lids from 4 litre containers).
- 3.2 Balance of suitable capacity, having a resolution of at least 0.01 g and a limit of performance within the range of ± 0.05 g.
- 3.3 Drying oven of suitable capacity, having a temperature of 105-110°C and complying with AS 1289.0.
- 3.4 Oven of suitable capacity, capable of heating a sample of binder to a temperature of 135-140°C.
- 3.5 Oven of suitable capacity, thermostatically controlled at a temperature of $60 \pm 3^\circ\text{C}$.
- 3.6 Water bath, thermostatically controlled at a temperature of $50 \pm 1^\circ\text{C}$.
- 3.7 Fan, an electric fan to assist in air drying aggregate samples.
- 3.8 Pliers, suitable for extracting aggregate pieces from a bituminous binder.

4 Materials

The following materials are required (Note 9.1):

- 4.1 Bituminous binder, where there is no requirement for the class of binder to be used in the test, use Class 170 bitumen complying with AS 2008 or MRTS 17.
- 4.2 Cloth, suitable for cleaning test plates.
- 4.3 Mineral turpentine.
- 4.4 Acetone.

5 Preparation of test materials

5.1 Aggregates

Aggregate may be tested as received and or air dried in either the precoated or uncoated condition.

- 5.1.1 For aggregate to be tested in the as received condition, obtain a representative subsample which includes approximately 1 kg of the dominant particle size and seal it in an airtight container.
- 5.1.2 For aggregate to be tested in the air dried condition obtain a representative subsample which includes approximately 1 kg of the dominant particle size. Spread the aggregate subsample in a single layer in an oven tray and air dry overnight (alternatively the tray can be placed in front of a fan to expedite the drying process).

5.2 Binder

Heat about 200 g of the binder in the 135-140°C oven until it reaches pouring consistency.

5.3 Test plates

Remove any oil film or residue from the test plates, by cleaning each plate thoroughly with a cloth saturated in mineral turpentine, then rinse with acetone and allow to dry in a dust free environment.

6 Procedure

Perform the following procedure:

- 6.1 Pour 23.5-27.5 g portions of the binder onto each of two test plates, ensuring an even distribution of binder (Note 9.2).
- 6.2 Allow the prepared test plates to cool to room temperature in a dust free area.
- 6.3 Select 50 representative pieces of the dominant size fraction of the aggregate.
- 6.4 Firmly press 25 aggregate pieces into the binder layer in each of the two test plates.
- 6.5 Place the test plates in the 60°C oven for 1 hour, and then transfer to the water bath for 4 hours.
- 6.6 Remove the test plates from the water bath and immerse in water at room temperature for 30 minutes.
- 6.7 Remove one of the test plates from the water.
- 6.8 Extract an aggregate piece from the binder by hand or using the pliers as follows (Note 9.3):
 - 6.8.1 Extract the aggregate piece evenly with a direct upward pull and without any twisting or shoving motion.
 - 6.8.2 Where only collar or edge adhesion has taken place, ensure that the binder retained at the edge of the aggregate piece does not contact or overlay its underside before assessment of stripping is made.
- 6.9 Examine the underside of the aggregate piece and note the amount of binder adhering to it. Record it in one of the following categories:
 - a) completely stripped: <10 percent binder adhering
 - b) partly stripped: 10-90 percent binder adhering, and
 - c) no stripping: >90 percent binder adhering.
- 6.10 Repeat Steps 6.8 and 6.9 for the remaining aggregate pieces.
- 6.11 Repeat Steps 6.7 to 6.9 for the second test plate.

7 Calculations

7.1 For each test plate, count the number of aggregate pieces in each category.

7.2 Calculate the stripping value for each test plate as follows:

$$S_p = 4N_c + 2N_p$$

where S_p = Plate stripping value (%)

N_c = Number of aggregate pieces completely stripped

N_p = Number of aggregate pieces partly stripped

7.3 Provided the difference between the two plate stripping values is no greater than 10, average the two values and record this average as the binder stripping value to the nearest 1 percent (Note 9.4).

8 Reporting

Report the following, as appropriate:

8.1 Aggregate description including source and size fraction tested.

8.2 Binder description including source, type and class.

8.3 Test condition (as received or air dried).

8.4 Binder stripping value to the nearest 1 %.

9 Notes on method

9.1 Before handling bituminous binder, mineral turpentine or acetone, the operator should consult the relevant SDS.

9.2 If necessary, the test plates may be placed in the oven for a short time to attain an even binder film distribution.

9.3 Where adhesion is such that the aggregate piece cannot be extracted by hand or using the pliers, careful upward levering of the aggregate piece using a screwdriver or similar may be used.

9.4 If the difference is greater than 10, repeat the test. However, if the aggregate composition is highly variable, report the individual plate stripping values.

Test Method Q212C: Binder stripping value - immersion tray

1 Source

This method was developed in-house and applies the principles of AS 1141.50-1998: *Resistance to stripping of cover aggregate from binders*.

2 Scope

This method describes the procedure for determining the resistance to stripping of binder from aggregate using the immersion tray test. It is applicable to the assessment of the adhesion promoting properties of bitumen anti-stripping agents.

3 Apparatus

The following apparatus is required:

- 3.1 Test plates, metal plates of 150 mm diameter with raised edges (for example, press-on lids from 4 litre containers).
- 3.2 Balance, of suitable capacity, having a resolution of at least 0.01 g and a limit of performance within the range of ± 0.05 g.
- 3.3 Drying oven of suitable capacity, having a temperature of 105 - 110°C and complying with AS 1289.0.
- 3.4 Oven of suitable capacity, capable of heating a sample of binder to a temperature of 135 - 140°C.
- 3.5 Water bath, thermostatically controlled at a temperature of $40 \pm 1^\circ\text{C}$.
- 3.6 Sample container, a metal container of approximately 70 mm diameter and 250 mL volume.
- 3.7 Hotplate.
- 3.8 Pliers, suitable for extracting aggregate pieces from a bituminous binder.

4 Materials

The following materials are required (Note 9.1):

- 4.1 Aggregate, selected aggregate of 20 mm nominal size.
- 4.2 Bituminous binder, Class 170 bitumen complying with AS 2008 or MRTS 17, or other binder as specified.
- 4.3 Cutter, bitumen cutter oil complying with MRTS 19.
- 4.4 Cloth, suitable for cleaning test plates.
- 4.5 Mineral turpentine.
- 4.6 Acetone.

5 Preparation of test materials

The test materials shall be prepared as follows:

5.1 Aggregates

Wash and dry 30 representative pieces of the dominant size fraction of the aggregate.

5.2 Binder

Heat about 200 g of the binder in the 135-140°C oven until it reaches pouring consistency.

5.3 Test plates

Remove any oil or residue from the test plates by cleaning each plate thoroughly with a cloth saturated in mineral turpentine, then rinse with acetone and allow to dry in a dust free environment.

6 Procedure

The procedure shall be as follows:

- 6.1 Weigh into the sample container, the mass of anti-stripping agent required to produce the targeted anti-stripping agent concentration in 100 to 140 g binder, to the nearest 0.01 g.
- 6.2 Weigh into the sample container the mass of binder needed to produce the required anti-stripping agent concentration, to the nearest 1 g.
- 6.3 Transfer the sample container and contents to the hotplate and heat gently. Stir vigorously with a glass stirring rod for about 5 minutes.
- 6.4 Calculate the mass of cutter required to produce a cutter content of 7.5 percent by volume, to the nearest 0.1 g as follows:

$$M_C = \frac{7.5D_C M_B}{100D_B}$$

- where
- M_C = mass of cutter (g)
 - D_B = density of binder (t/m³)
 - D_C = density of cutter (t/m³)
 - M_B = mass of binder (g)

- 6.5 Add to the sample container the mass of cutter calculated in Step 6.4 and stir the contents vigorously to achieve complete solution (Note 9.2).
- 6.6 Check weigh the mass of the sample container and contents and add further cutter to compensate for any cutter loss during the heating and mixing process.
- 6.7 Combine repeated additions of cutter with continuous stirring until the required mass of cutter in the sample is obtained to the nearest 0.1 g (Note 9.3).
- 6.8 Pour 23.5 – 27.5 g portions of the prepared sample onto each of three test plates and spread the sample on each test plate as quickly as possible to form a continuous and even film distribution over the plate (Note 9.4).
- 6.9 Allow the three test plates to cool to room temperature in a dust free area and then immerse to a depth of at least 25 mm in the water bath for at least 20 minutes.
- 6.10 Select one of the test plates and firmly press 10 pieces of aggregate into the binder in the test plate while the plate remains immersed in the water bath. After a further 10 to 12 minutes of immersion, remove the test plate from the water bath.

- 6.11 Extract an aggregate piece from the binder by hand or using the pliers as follows (Note 9.5):
 - 6.11.1 Extract the aggregate piece evenly, with a direct upward pull without any twisting or shoving motion.
 - 6.11.2 Where only collar or edge adhesion has taken place, ensure that the binder retained at the edge of the aggregate piece does not contact or overlay its underside before assessment of stripping is made.
- 6.12 Examine the underside of the aggregate piece and note the amount of binder adhering to it.
- 6.13 Rate the quantity of binder adhering on a scale of 0 to 10, with 10 being full cover.
- 6.14 Repeat Steps 6.11 to 6.13 for each of the remaining aggregate pieces.
- 6.15 Sum the ratings for all 10 aggregate pieces and record the total as the binder adhesion in percent.
- 6.16 Repeat Steps 6.10 to 6.15 for the remaining two test plates (Notes 9.6 and 9.7).

7 Calculations

Calculations shall be as follows:

- 7.1 Calculate the stripping result for each test plate to the nearest 1 % by subtracting the binder adhesion result from 100.
- 7.2 If the difference between the stripping results of the three test plates is less than 20 %, calculate the average of the three results to the nearest 1 % and record it as the stripping value.
- 7.3 If the difference between the stripping results of the three test plates exceeds 20 % but two of the results agree within 10 %, calculate the average of these two results to the nearest 1 % and record it as the stripping value.
- 7.4 If the difference between the stripping results of the three test plates exceeds 20 % and no two results agree within 10 %, repeat the test.

8 Reporting

Report the stripping value to the nearest 1 %.

9 Notes on method

- 9.1 Before handling bituminous binder, mineral turpentine, acetone or cutter, the operator should consult the relevant SDS.
- 9.2 If the contents have cooled so that thorough mixing is difficult, gentle warming of the contents is permitted.
- 9.3 It is important that the correct quantity of cutter is added to the binder. Varying quantities of cutter will lead to varying binder viscosities which have considerable influence on the stripping value obtained.
- 9.4 If the sample on the test plate has cooled so that spreading of the sample to form a continuous film over the test plate is difficult, minimal warming of the test plate in the oven is permitted. However, under no circumstances should a hotplate be used for this purpose.

- 9.5 Where adhesion is such that the aggregate piece cannot be extracted by hand or using the pliers, careful upward levering of the aggregate piece using a screwdriver or similar may be used.
- 9.6 Alternatively, Steps 6.10 to 6.15 for the three test plates may be performed in parallel.
- 9.7 Where the stripping value for more than one aggregate type is required, the test plate may be returned to the water bath for 20 minutes and then reused for Steps 6.10 to 6.15. However, avoid those areas previously occupied on the binder surface by aggregate pieces. In this way, the test plate may be used for up to three aggregate types.

Test Method Q216: Degree of aggregate precoating

1 Source

This method was developed in-house using techniques evolved through internal departmental research investigations.

2 Scope

This method describes a procedure for the visual assessment of the percentage of aggregate surface covered by a precoating agent. It is applicable to aggregate retained on the 4.75 mm sieve.

3 Apparatus

The following apparatus is required:

- 3.1 Sieve, 4.75 mm, complying with ISO 3310.
- 3.2 Drying oven of suitable capacity, having a temperature of 45-50°C and complying with AS 1141.2.
- 3.3 Container of suitable size, for drying the test portion.
- 3.4 Suitable gloves, for handling the precoated aggregate (Note 7.1).

4 Procedure

The procedure shall be as follows:

- 4.1 Prepare the bulk sample as detailed in Section 5 of Test Method Q101 to produce a representative test portion of appropriate size.
- 4.2 Place the test portion in the container and dry in the oven.
- 4.3 Screen the test portion on a 4.75 mm sieve to produce an unwashed coarse fraction.
- 4.4 Using either a sample divider or by cone and quartering, obtain a test portion from the material retained on the 4.75 mm sieve, of at least 100 particles.
- 4.5 Spread the test portion on a clean flat surface of sufficient area to permit easy inspection.
- 4.6 Assess the proportion of the surface area of each particle covered by the precoating agent and record the value to the nearest 10 percentage units (a_i).
- 4.7 Retain the particles and determine the number of particles in the test portion (n).

5 Calculations

- 5.1 Calculate the degree of aggregate precoating as follows:

$$P_{PC} = \frac{\sum a_i}{n}$$

- where
- | | | |
|----------|---|---|
| P_{PC} | = | degree of aggregate precoating (%) |
| a_i | = | percentage of surface area of each particle covered by precoating agent |
| n | = | number of particles in the test portion |

6 Reporting

Report the degree of aggregate precoating to the nearest 1%.

7 Notes on method

- 7.1 Before handling the precoated aggregate, the operator should consult the relevant SDS for the precoating agent used.

Test Method Q227: Pull-out force for surfacing aggregate

1 Source

This method has been adapted from one of the techniques described from a similar test published in the 1994 South African *Sabita Manual: Technical Guidelines for Seals using Homogeneous Modified Binders*.

2 Scope

This method provides for the determination of an average pull-out force required to dislodge cover aggregate pieces from a bituminous binder on a sprayed seal to assess the level of bonding of the aggregate to the binder surface. Data on pull-out force could prove useful in general sealing work in indicating the degree of early trafficking control required on freshly laid seals.

3 Apparatus

The following apparatus is required:

- 3.1 Spring balance, having a capacity of 1000 g, with a resolution of at least 10 g, fitted with a zeroing adjustment (Notes 8.1 and 8.2).
- 3.2 Crocodile clip, 50 mm in length, with maximum stiffness in grip and with an attached wire or string line, approximately 0.5 m long.
- 3.3 Infrared thermometer, with a resolution of at least 0.2°C over the range from 10°C to 80°C.
- 3.4 Safety glasses.

4 Preparation for testing

- 4.1 Select at least twelve test positions of approximately equal spacing along a length of seal of essentially homogeneous condition (Note 8.3).
- 4.2 Connect the crocodile clip to the spring balance by the attached line.
- 4.3 Hold the spring balance such that the zero point of the spring balance scale is at about eye level (Note 8.4).
- 4.4 Attach the crocodile clip to an individual loose stone of a size representative of that to be tested, zero the spring balance and discard the stone.

5 Procedure

Perform the following at each test position:

- 5.1 Measure and record the surface temperature (T) to the nearest 0.2°C using the infrared thermometer.
- 5.2 Select a typically bound stone from each test position and attach the crocodile clip to the stone. The stone selected should be of suitable shape to permit effective gripping of the clip.
- 5.3 Wearing the safety glasses, slowly raise the upper portion of the balance using a smooth action to apply a pull-out rate of about 20 g/second. Monitor the scale carefully and continue the load application until the stone becomes detached (Note 8.5).
- 5.4 Record the maximum force reading as the pull-out force (f_1).

- 5.5 Estimate the amount of embedment into the binder of the detached stone by the height of binder on the stone and record this value as a percentage of the height of the stone. For this purpose, record a value of 50% for a stone half embedded in the binder and a value of 10% if only the complete base of the stone is coated with binder (Note 8.6).

6 Calculations

- 6.1 Apply a temperature correction factor to the pull-out force recorded at each test position to correct the pull-out force to 40°C as follows (Note 8.7):

$$\log f_2 = \log f_1 - 0.05(40 - T)$$

where f_2 = pull-out force (g) corrected to 40°C

f_1 = pull-out force (g)

T = surface temperature (°C)

- 6.2 Examine the values of log pull-out force corrected to 40°C for all test positions and eliminate any values which are extraordinarily high or low in comparison to the remaining values within the data set.
- 6.3 Average the remaining values of the log pull-out force and take the antilog of this average value to determine the typical pull-out force over the site.
- 6.4 Determine the average height of binder on the stones used to determine the typical pull-out force over the site.

7 Reporting

Report the following values and general information:

- 7.1 Typical pull-out force to the nearest 10 g.
- 7.2 Average height of binder to the nearest 1%.
- 7.3 The number of this test method, that is Q227.

8 Notes on method

- 8.1 A Kern Model No. 41000 is regarded as a suitable spring balance.
- 8.2 When field conditions provide pull-out forces generally above 1000 g, for example, cooler temperatures, large or strongly interlocked aggregate pieces, tough binders and so on, an alternative spring balance of higher force capacity will be required.
- 8.3 The general location of each test position may be determined by pacing the appropriate distance.
- 8.4 The tester will normally carry out testing in either a sitting or squatting position.
- 8.5 If the stone twists during the test to cause a significantly reduced pull-out force, the result should be discarded, and another stone tested from the same general area of the test position.
- 8.6 In many instances, the stone is not embedded evenly within the binder and, for such cases, the recorded height is an estimated average around all sides of the stone.
- 8.7 The temperature correction factor of -0.05 used relates to conventional binders.

Test Method Q228: Mill abrasion of aggregate

1 Source

This method is based on a test procedure described in "*CP Rail specification for evaluating processed rock, slag and gravel ballasts (Appendix A)*", Canadian Pacific Ltd, Montreal, 1981. It differs from this procedure in only minor procedural variations.

2 Scope

This method describes the procedure for determining the mill abrasion value of coarse aggregates using a wet attrition technique. If required, the method also allows the calculation of an abrasion number using the mill abrasion value and the Los Angeles value.

3 Apparatus

Where appropriate, the working tolerances of particular apparatus are contained in Table 1.

The following apparatus is required:

- 3.1 Drying oven of suitable capacity, having a temperature of 105 - 110°C and complying with AS 1141.2.
- 3.2 Wire brush.
- 3.3 Jaw crusher.
- 3.4 Scalping screen, a 9.50 mm sieve is suitable.
- 3.5 Sieves, 37.5 mm, 26.5 mm, 19.0 mm and 4.75 mm as required, complying with ISO 3310.
- 3.6 Containers suitable for washing test fractions.
- 3.7 Balance of suitable capacity, having a resolution of at least of 1 g and a limit of performance within the range of ± 5 g.
- 3.8 Sample splitters.
- 3.9 Measuring cylinder of suitable capacity.
- 3.10 Mill abrasion tumbler capable of revolving a 5 litre porcelain jar about its longitudinal axis at 33 ± 2 revolutions per minute for a total of 10,000 revolutions. The jar will be fitted with a lid to hold water and an external diameter of 230 mm.
- 3.11 Reinforced 0.075 mm sieve of 300 mm diameter and complying with ISO 3310.
- 3.12 Oven tray.

4 Materials

The following material is required:

- 4.1 Distilled water.

5 Sample preparation

The sample shall be prepared as follows:

- 5.1 Thoroughly wash and dry the sample before using the wire brush to remove any adhering fines or soft weathered rock.
- 5.2 Crush the sample by gradually reducing the maximum particle size to 50 mm.

- 5.3 Sieve the crushed sample over an appropriately sized scalping screen and discard any material passing the screen.
- 5.4 If the material retained on the scalping screen is not homogenous, remove and discard any particles which are at variance with the bulk of the sample (Note 9.1).
- 5.5 Further crush the retained material, gradually reducing its size until nearly all material passes the 37.5 mm sieve and a range of particle sizes in keeping with the requirements of Table 2 is produced.
- 5.6 Prepare a representative subsample to provide a test portion containing the fractions as follows:
 - 5.6.1 Screen the subsample through each of the sieves listed in Table 2, in turn. Discard the material retained on the largest sieve and the material passing the smallest sieve.
 - 5.6.2 Place the fractions in separate wash containers and wash each fraction using clean water until all coatings of fines have been removed from the surface of the particles and the wash water is clear (Note 9.2).
- 5.7 Place each washed fraction in the oven and dry until a constant mass has been reached.
- 5.8 Reduce each dried fraction to the required mass as per Table 2, using appropriately sized sample splitters as detailed in Test Method Q101. Combine the two fractions to produce the test portion and determine the mass of the test portion (m_1).

6 Procedure

The procedure shall be as follows:

- 6.1 Place the test portion in the porcelain jar, together with 3 litres of distilled water.
- 6.2 Place the lid on the porcelain jar and secure the assembly in the tumbler.
- 6.3 Operate the tumbler for 10,000 revolutions.
- 6.4 Decant the wash water from the porcelain jar into the nested 4.75 mm and 0.075 mm sieves.
- 6.5 Remove the larger particles from the jar by hand and place on the 4.75 mm sieve.
- 6.6 Wash out the jar with water and continue to wash the particles with the wash water from the jar until the water from the jar is clear.
- 6.7 Continue washing the particles on each sieve until the wash water passing the 0.075 mm sieve is clear.
- 6.8 Place the washed material into a drying tray and dry the material retained on the 0.075 mm sieve until a constant mass is reached and record the dry mass (m_2).

7 Calculations

Calculations shall be as follows

- 7.1 Calculate the mill abrasion value as follows:

$$MA = \frac{m_1 - m_2}{m_1} 100$$

where MA = Mill Abrasion value

- m_1 = original washed and dried test portion (g)
 m_2 = dried sample retained 0.075 mm (g)

7.2 If required, calculate the Abrasion Number using the results from the Los Angeles Test and the Mill Abrasion Test as follows:

$$AN = LAA + (5 MA)$$

- where AN = Abrasion Number
 LAA = Los Angeles Abrasion value (from test method AS 1141.23)
 MA = Mill Abrasion value

8 Reporting

The following shall be reported:

- 8.1 Report the Mill Abrasion value to the nearest 0.1.
 8.2 Report the Abrasion Number to the nearest whole number, if required.

9 Notes on method

- 9.1 The scalping process is intended to simulate the anticipated quarry practice by removing from the sample such material which would not be representative of the quarried product. The aperture of the scalping screen should be selected on this basis.
 9.2 Some discrete rock particles will slowly break down when agitated in water. This is evidenced by discolouration of the wash water. In such cases, discontinue washing after all coatings of fines have been removed.

Table 1 – Working tolerances for apparatus

Apparatus	Value	Tolerance
Mill abrasion tumbler		
Speed (rpm)	33	±2
Porcelain Jar		
External diameter (mm)	230	±10
Volume (L)	5	nominal

Table 2 – Mass of fractions required for test portion

Particle size (mm)	Mass of fraction (g)
37.5 – 26.5	1500 ± 15
26.5 – 19.0	1500 ± 15

Test Method Q229A: Resistance to degradation by abrasion of fine aggregate

1 Source

This method is based on a test method ASTM D7428: *Resistance of fine aggregate to degradation by abrasion in the Micro-Deval apparatus*. It differs from this procedure in the sizing of test fraction, not using a reference aggregate, performing the test in duplicate and other minor procedural variations.

2 Scope

This method describes the procedure for determining the resistance to abrasion of fine aggregate using a wet attrition technique. The method uses a combination of abrasion and grinding with steel balls in the presence of water using a Micro-Deval apparatus.

3 Apparatus

Where appropriate, the working tolerances of particular apparatus are contained in Table 1. Examples of the apparatus are shown in ASTM D 6928 Figure 1.

The following apparatus is required:

- 3.1 Drying oven of suitable capacity, having a temperature of 105 - 110°C and complying with AS 1141.2.
- 3.2 Sieves:
 - 3.2.1 4.75 mm, 2.36 mm, 1.18 mm, 0.600 mm, 0.300 mm, 0.150 and 0.075 mm as required, complying with ISO 3310.
 - 3.2.2 Reinforced 0.075 mm sieve complying with ISO 3310 (Note 9.1).
- 3.3 Containers suitable for washing test fractions.
- 3.4 Balance of suitable capacity, having a resolution of at least of 0.1 g and a limit of performance within the range of ± 0.5 g.
- 3.5 Sample splitters.
- 3.6 Measuring cylinder of suitable capacity with graduations no larger than 50 mL.
- 3.7 Micro-Deval abrasion machine capable of revolving a 5 litre abrasion jar about its longitudinal axis at 100 ± 5 revolutions per minute for a total of 1,500 revolutions.
- 3.8 Abrasion jar, stainless steel of 5 L capacity fitted with a lid to hold water, an external diameter of 198 mm and an internal height of 173.5 mm. The inside and outside surfaces need to be smooth and have no observable ridges or indentations.
- 3.9 Abrasion charge consisting of stainless steel ball of 9.5 mm diameter and with sufficient numbers for a 1250 g charge for each jar.
- 3.10 Oven tray.

4 Materials

The following materials are required:

- 4.1 Distilled water.
- 4.2 Silica sand.

5 Sample preparation

The sample shall be prepared as follows:

- 5.1 Prepare the bulk sample as detailed in Section 5 of Test Method Q101 to produce a representative sample of appropriate size.
- 5.2 Further prepare the sample to produce sufficient washed materials to produce two subsamples of the size and quantity specified in Table 2 as detailed in Test Method Q101, Subsection 6.5 for specified fraction subsamples (Note 9.2).
- 5.3 Place the washed subsamples in the drying oven, dry to a constant mass and cool to room temperature.
- 5.4 Combine the washed and dried subsamples to produce the test portions.

6 Procedure

The procedure shall be as follows:

- 6.1 Determine the mass of the test portion (m_1).
- 6.2 Place the test portion in the abrasion jar, together with 0.75 ± 0.05 litres of distilled water (Note 9.3).
- 6.3 Store the abrasion jar in an air-conditioned room at $23 \pm 3^\circ\text{C}$ for at least 1 hour.
- 6.4 Add the mass of charge specified in Table 2 to the abrasion jar. Place the lid on the abrasion jar and place the abrasion jar in the abrasion machine.
- 6.5 Operate the machine for the appropriate number of revolutions specified in Table 2.
- 6.6 Remove the abrasion jar from the machine.
- 6.7 Decant the wash water from the abrasion jar into the nested 1.18 mm and 0.075 mm sieves.
- 6.8 Carefully pour the sample and abrasion charge over the sieves. Wash out the jar with water until the water from the jar is clear. Take care to remove the entire sample from the jar.
- 6.9 Continue washing and agitation of the particles with the wash water from the jar until the water from the jar is clear and all material smaller than 0.075 mm passes that sieve.
- 6.10 Remove the abrasion charge from the washed sample.
- 6.11 Place washed material retained on the 1.18 mm and 0.075 mm sieves in a drying tray and dry the material until a constant mass is reached and record the dry mass (m_2).
- 6.12 Repeat Steps 6.1 to 6.11 for the second test portion.

7 Calculations

Calculations shall be as follows:

- 7.1 Calculate the percent loss as follows:

$$PL = \frac{m_1 - m_2}{m_1} 100$$

where PL = percent loss (%)
 m_1 = original washed and dried test portion (g)

$$m_2 = \text{dried sample retained 0.075 mm (g)}$$

7.2 Calculate the percent loss from the two test portions.

8 Reporting

Report the percent loss to the nearest 0.1%.

9 Notes on method

- 9.1 Because of the ease with which a 0.075 mm sieve can be damaged, the use of a special washing sieve, in which the sieve cloth is reinforced underneath with a coarser sieve or punched plate screen, is recommended.
- 9.2 Some discrete rock particles will slowly break down when agitated in water. This is evidenced by discolouration of the wash water. In such cases, discontinue washing after all coatings of fines have been removed.
- 9.3 Before using the abrasion jar and charge for the first time, condition the abrasion jar and charge by running the apparatus with 500 g of silica sand and 0.75 litres of distilled water for four hours. It may be necessary from time to time to re-condition the abrasion jar and charge. The conditioning process should give the abrasion jar and charge a “frosted” appearance.

Table 1 – Working tolerances for apparatus

Apparatus	Value	Tolerance
Micro-Deval abrasion machine		
Speed (rpm)	100	±5
Abrasion charge		
Diameter (mm)	9.5	±0.5
Abrasion Jars		
External diameter (mm)	198	±4
Internal height (mm)	173.5	±3.5
Volume (L)	5	nominal

Table 2 – Mass of fractions, abrasion charge and revolutions required for test portion

Maximum size (mm)	Fraction size (mm)	Mass of fraction (g)	Mass of charge (g)	Revolutions (rpm)
4.75	4.75 - 2.36	50 ± 0.5	1250 ± 5	1,500 ± 10
	2.36 – 1.18	125 ± 1		
	1.18 – 0.600	125 ± 1		
	0.600 – 0.300	100 ± 1		
	0.300 – 0.150	75 ± 1		
	0.150 – 0.075	25 ± 0.5		

Test Method Q229B: Resistance to degradation by abrasion of coarse aggregate

1 Source

This method is based on a test method AASHTO T327: *Resistance of coarse aggregate to degradation by abrasion in the Micro-Deval apparatus*. It differs from this procedure in the sizing of test fraction, not using a reference aggregate, performing the test in duplicate and other minor procedural variations.

2 Scope

This method describes the procedure for determining the resistance to abrasion of coarse aggregate using a wet attrition technique. The method uses a combination of abrasion and grinding with steel balls in the presence of water using a Micro-Deval apparatus.

3 Apparatus

Where appropriate, the working tolerances of particular apparatus are contained in Table 1. Examples of the apparatus are shown in ASTM D 6898 Figure 1.

The following apparatus is required:

- 3.1 Drying oven of suitable capacity, having a temperature of 105 - 110°C and complying with AS 1141.2.
- 3.2 Sieves, 19.0 mm, 16.0 mm, 13.2 mm, 9.50 mm, 6.70 mm, 4.75 mm and 1.18 mm as required, complying with ISO 3310.
- 3.3 Containers suitable for washing test fractions.
- 3.4 Balance of suitable capacity, having a resolution of at least of 0.1 g and a limit of performance within the range of ± 0.5 g.
- 3.5 Sample splitters.
- 3.6 Measuring cylinder of suitable capacity with graduations no larger than 50 mL.
- 3.7 Micro-Deval abrasion machine capable of revolving a 5 litre abrasion jar about its longitudinal axis at 100 ± 5 revolutions per minute for a total of 9,500 to 12,000 revolutions.
- 3.8 Abrasion jar, stainless steel of 5 L capacity fitted with a lid to hold water, an external diameter of 198 mm and an internal height of 173.5 mm. The inside and outside surfaces need to be smooth and have no observable ridges or indentations.
- 3.9 Abrasion charge consisting of stainless steel ball of 9.5 mm diameter and with sufficient numbers for a 5000 g charge for each jar.
- 3.10 Oven tray.

4 Materials

The following material is required:

- 4.1 Distilled water.

5 Sample preparation

The sample shall be prepared as follows:

- 5.1 Prepare the bulk sample as detailed in Section 5 of Test Method Q101 to produce a representative sample of appropriate size.
- 5.2 Further prepare the sample to produce sufficient washed materials to produce two subsamples of the size and quantity specified in Table 2 as detailed in Test Method Q101, Subsection 6.5 for specified fraction subsamples (Note 9.1).
- 5.3 Place the washed subsamples in the drying oven, dry to a constant mass and allow to cool to room temperature.
- 5.4 Combine the washed and dried subsamples to produce the test portions.

6 Procedure

The procedure shall be as follows:

- 6.1 Determine the mass of the test portion (m_1).
- 6.2 Place the test portion in the abrasion jar, together with 2.00 ± 0.05 litres of distilled water.
- 6.3 Store the abrasion jar in an air-conditioned room at $23 \pm 3^\circ\text{C}$ for at least 1 hour.
- 6.4 Add the mass of charge specified in Table 2 to the abrasion jar. Place the lid on the abrasion jar and place the abrasion jar in the abrasion machine.
- 6.5 Operate the machine for the appropriate number of revolutions specified in Table 2.
- 6.6 Remove the abrasion jar from the machine.
- 6.7 Decant the wash water from the abrasion jar into the nested 4.75 mm and 1.18 mm sieves.
- 6.8 Carefully pour the sample and abrasion charge over the sieves. Wash out the jar with water until the water from the jar is clear. Take care to remove the entire sample from the jar.
- 6.9 Continue washing and agitation of the particles with the wash water from the jar until the water from the jar is clear and all material smaller than 1.18 mm passes that sieve.
- 6.10 Remove the abrasion charge from the washed sample.
- 6.11 Place washed material retained on the 4.75 mm and 1.18 mm sieves in a drying tray and dry the material until a constant mass is reached and record the dry mass (m_2).
- 6.12 Repeat Steps 6.1 to 6.11 for the second test portion.

7 Calculations

Calculations shall be as follows:

- 7.1 Calculate the abrasion loss as follows:

$$AL = \frac{m_1 - m_2}{m_1} 100$$

- where
- | | | |
|-------|---|--|
| AL | = | abrasion loss (%) |
| m_1 | = | original washed and dried test portion (g) |
| m_2 | = | dried sample retained 1.18 mm (g) |

7.2 Calculate the average abrasion loss from the two test portions.

8 Reporting

The following shall be reported:

8.1 Abrasion loss to the nearest 0.1%.

8.2 Maximum size of aggregate tested (mm).

9 Notes on method

9.1 Some discrete rock particles will slowly break down when agitated in water. This is evidenced by discolouration of the wash water. In such cases, discontinue washing after all coatings of fines have been removed.

Table 1 – Working tolerances for apparatus

Apparatus	Value	Tolerance
Micro-Deval abrasion machine		
Speed (rpm)	100	± 5
Abrasion charge		
Diameter (mm)	9.5	± 0.5
Abrasion Jars		
External diameter (mm)	198	± 4
Internal height (mm)	173.5	± 3.5
Volume (L)	5	nominal

Table 2 – Mass of fractions, abrasion charge and revolutions required for test portion

Maximum size (mm)	Fraction size (mm)	Mass of fraction (g)	Mass of charge (g)	Revolutions (rpm)
19.0	19.0 – 16.0	375 ± 1	5000 ± 5	12,000 ± 100
	16.0 – 13.2	375 ± 1		
	13.2 – 9.5	750 ± 3		
16.0	13.2 – 9.5	750 ± 3	5000 ± 5	10,500 ± 100
	9.5 – 6.7	375 ± 1		
	6.7 – 4.75	375 ± 1		
13.2	9.5 – 6.7	750 ± 3	5000 ± 5	9,500 ± 100
	6.7 – 4.75	750 ± 3		

Test Method Q230: Particle size distribution and shape – rock

1 Source

This method applies the principles of ASTM Test Method D5519: *Standard Test Method for Particle Size Analysis of Natural and Man-Made Riprap Materials* and AS 1141.14: *Particle shape by proportional calliper*.

2 Scope

This method describes the procedure for taking samples of rock to be used for products such as rock pitching, rip rap, gabion rock, mattress rock and spill through rock to determine, in the field, the particle size distribution and if required the shape of the rock.

3 Definitions

For the purpose of this method, the following definitions shall apply:

- 3.1 Elongated rock is one having a ratio of length to width greater than the calliper ratio adopted.
- 3.2 Flat rock is one having a ratio of width to thickness greater than the calliper ratio adopted.
- 3.3 Flat and elongated rock is one having a ratio of length to width and a ratio of width to thickness greater than the calliper ratio adopted.
- 3.4 Length, width and thickness are, respectively, the greatest, intermediate and least dimensions of any rock, as measured along mutually perpendicular directions, that is, they are the principal dimensions of the circumscribing rectangular prism.
- 3.5 Non-cubical rock is one having a ratio of length to thickness greater than the calliper ratio adopted.

4 Apparatus

Where appropriate, the working tolerances of particular apparatus are contained in Tables 1 and 2.

The following apparatus is required:

- 4.1 Weighing device:
 - 4.1.1 Platform balance of suitable capacity, with a readability and limit of performance of not less than the requirements of Table 1, or
 - 4.1.2 Registered weighbridge of suitable capacity, with a verified scale interval (e) of at least 20 kg and a maximum permissible error (MPE) within the range of ± 100 kg.
- 4.2 Sieves and/or templates:
 - 4.2.1 Single-opening templates made from steel rod, steel bar or similar rigid material, with square apertures of 500 mm, 300 mm, 250 mm, 200 mm and 150 mm. Add hand-grips or handles for ease of use. For larger size rock, it is useful to use C-shaped templates representing the sieve aperture and the diagonal of the sieve aperture. Refer to ASTM D5519 Figure 1 for an example of a single opening sieve template and a C-shaped template.
 - 4.2.2 Sieves, perforated plate sieves, 120 mm, 100 mm and 75.0 mm complying with ISO 3310-2.
- 4.3 Transport vehicle capable of conveying the individual or groups of the individual sorted rock from the sampling point to the test area and from the test area to the weighbridge.

- 4.4 Handling equipment such as forklift or loaders, or similar, for sampling, transporting, assisting in the sorting, loading for transport, weighing and other tasks associated with the test.
- 4.5 Tape measure for determining particle size dimensions to estimate mass.
- 4.6 Test area, sufficiently large to allow placement of the test sample, areas, bins or containers to place the sorted materials and adequate to allow the transport vehicle and handling equipment to operate safely. The test area should have a smooth surface, such as concrete, to prevent the loss of fines and provide a suitable working surface.
- 4.7 Proportional callipers, of suitable size with ratios of 2:1 and 3:1. Refer to ASTM D5519 Figure 1 for an example of a proportional calliper.
- 4.8 Containers suitable for holding and weighing finer fractions.
- 4.9 Spray paint for marking larger rock.
- 4.10 Tags and markers or small signs for identifying fractions.
- 4.11 Hand tools including crowbars, shovels and so on.
- 4.12 Gloves, glasses and dust masks.

5 Sampling

- 5.1 The sampling shall be performed as follows:
- 5.2 Taking into account the type of material to be sampled and the type and scope of testing, prepare a sampling plan to provide a representative sample of the material. The plan should be appropriate for existing conditions, available resources and requirements of the specification. The sampling process is to provide a representative sample of the material.
- 5.3 Using a tape measure estimate the maximum particle size within the material. Determine the minimum mass of sample from Table 1 or by calculation (Note 10.1).
 - 5.3.1 Determine the mass of the empty truck from a registered weighbridge (m_1) or the mass of empty containers using a balance (m_1).
 - 5.3.2 A single sample is taken for testing and placed in the transport vehicle or containers.
 - 5.3.3 Determine the mass of the truck and sample (m_2) from a registered weighbridge or the mass of containers and sample using a balance (m_2).

6 Procedure

The procedure shall be as follows:

6.1 Particle size distribution

- 6.1.1 In order to determine the sieves/templates required, it is necessary to consult any applicable specification for the material under test. The number of sieves/templates used should not be less than four.
- 6.1.2 Move the sample to the test location and for samples with rocks larger than 200 mm spread the sample in a thin layer.
- 6.1.3 Determine the mass of the truck/containers to be used for holding each fraction and record the mass (m_c)

- 6.1.4 Place each individual rock on a sieve or template to determine the sizes that the rock will pass and be retained on. Alternately the template may be placed over the rock to determine its size. If rock shape is being determined as detailed in Subsection 6.2, test each rock with the proportional calliper to determine if it is flat, elongated and flat and elongated.
- 6.1.5 Either place the rocks into separate piles or containers for each fraction. Tools or mechanical equipment may be used to move larger rocks, or alternatively, larger rocks may be marked using a colour code rather than sorting and moving them. This eliminates the need to move a rock before loading and weighing. If rock shape is being determined as detailed in Subsection 6.2, it may be necessary further separate each fraction into additional piles or containers for the flat, elongated and flat and elongated rocks.
- 6.1.6 As each container is filled, weigh on the balance and record the mass of the container and fraction (m_a).
- 6.1.7 For coarse fractions, load the material for a fraction onto the truck. Determine the mass of the truck and fraction from a registered weighbridge (m_a).
- 6.1.8 Continue size separation and weighing until the total gradation sample has been processed.

6.2 Particle shape

- 6.2.1 Include all fractions which constitute ten or more percent of the sample mass and are larger than 75.0 mm.
- 6.2.2 Select the proportional calliper with the required ratio (Note 10.2).
- 6.2.3 Test each of the rocks in each of the fractions prepared for measurement, using the proportional calliper as follows:
 - a) Set the largest opening equal to the width of the rock. If the thickness of the rock can be placed within the smaller opening, the particle is deemed to be flat.
 - b) Set the largest opening equal to the length of the rock. If the width of the rock can be placed within the smaller opening, the particle is deemed to be elongated.
 - c) Set the largest opening equal to the length of the rock. If the thickness of the rock can be placed within the smaller opening, the particle is deemed to be non-cubical.
 - d) Retain the rocks and sort the rocks in each fraction being measured into the following four types, flat, elongated, flat and elongated, non-cubical and neither flat nor elongated nor non-cubical.
- 6.2.4 Determine the masses of the flat (m_3), elongated (m_4), flat and elongated types (m_5) and non-cubical (m_6).

7 Calculations

Calculations shall be as follows:

7.1 Particle size distribution

- 7.1.1 Calculate the mass retained for each fraction as follows:

$$m_r = \sum (m_a - m_c)$$

where m_r = individual mass retained for each fraction (kg)

m_a = mass of truck/container and fraction (kg)

m_c = mass of truck/container (kg)

7.1.2 Calculate the cumulative mass retained for each fraction as follows:

$$M = \sum m_r$$

where M = cumulative mass retained in each fraction (kg)

m_r = individual mass retained for each fraction (kg)

7.1.3 Calculate the cumulative percent retained for each fraction as follows:

$$P_r = \frac{100M}{\sum (m_2 - m_1)}$$

where P_r = cumulative percent retained for each fraction (%)

M = cumulative mass retained in each fraction (kg)

m_2 = mass of truck/container and sample (kg)

m_1 = mass of truck/container (kg)

7.1.4 Calculate the percent passing each fraction (to nearest 0.1%) as follows:

$$P = 100 - P_r$$

where P = cumulative percent passing for each fraction (%)

P_r = cumulative percent retained for each fraction (%)

7.2 Misshapen rocks

7.2.1 Calculate the total mass of sample to be from the particle size distribution from fractions which constitute ten or more percent of the sample mass and are larger than 75.0 mm as follows:

$$M_T = \sum m_r$$

where M_T = mass of sample from particle size distribution (kg)

m_r = individual mass retained for each test fraction (kg)

7.2.2 For each test fraction calculate the percentage of flat rocks as follows:

$$P_f = \frac{m_3}{m_r} 100$$

where P_f = percentage of flat rocks

m_3 = mass of flat rocks in each test fraction (kg)

m_r = individual mass retained for each test fraction (kg)

7.2.3 For each test fraction calculate the percentage of elongated rocks as follows:

$$P_e = \frac{m_4}{m_f} 100$$

- where P_e = percentage of elongated rocks
 m_4 = mass of elongated rocks in each test fraction (kg)
 m_r = individual mass retained for each test fraction (kg)

7.2.4 For each test fraction calculate the percentage of flat and elongated rocks as follows:

$$P_{fe} = \frac{m_5}{m_f} 100$$

- where P_{fe} = percentage of flat and elongated rocks
 m_5 = mass of flat and elongated rocks in each test fraction (kg)
 m_r = individual mass retained for each test fraction (kg)

7.2.5 For each test fraction calculate the percentage of non-cubical rocks as follows:

$$P_{nc} = \frac{m_6}{m_f} 100$$

- where P_{nc} = percentage of non-cubical rocks
 m_6 = mass of non-cubical rocks in each test fraction (kg)
 m_r = individual mass retained for each test fraction (kg)

7.2.6 For each test fraction calculate the weighted percentage of flat rocks as follows:

$$P_{wf} = \frac{P_f m_r}{M_T}$$

- where P_{wf} = weighted percentage of flat rocks
 P_f = percentage of flat rocks
 m_r = individual mass retained for each test fraction (kg)
 M_T = mass of sample from particle size distribution (kg)

7.2.7 For each test fraction calculate the weighted percentage of elongated rocks as follows:

$$P_{we} = \frac{P_e m_r}{M_T}$$

- where P_{we} = weighted percentage of elongated rocks
 P_e = percentage of elongated rocks
 m_r = individual mass retained for each test fraction (kg)

M_T = mass of sample from particle size distribution (kg)

7.2.8 For each test fraction calculate the weighted percentage of flat and elongated as follows:

$$P_{Wfe} = \frac{P_{fe} m_r}{M_T}$$

where P_{Wfe} = weighted percentage of flat and elongated rocks
 P_{fe} = percentage of flat and elongated rocks
 m_r = individual mass retained for each test fraction (kg)
 M_T = mass of sample from particle size distribution (kg)

7.2.9 For each test fraction calculate the weighted percentage of flat and elongated as follows:

$$P_{Wnc} = \frac{P_{nc} m_r}{M_T}$$

where P_{Wnc} = weighted percentage of non-cubical rocks
 P_{nc} = percentage of non-cubical rocks
 m_r = individual mass retained for each test fraction (kg)
 M_T = mass of sample from particle size distribution (kg)

7.3 Calculate the misshapen rocks as follows:

$$MR = \sum P_{Wf} + \sum P_{We} + \sum P_{Wfe}$$

where MR = misshapen rocks (%)
 P_{Wf} = weighted percentage of flat rocks
 P_{We} = weighted percentage of elongated rocks
 P_{Wfe} = weighted percentage of flat and elongated rocks

7.4 Calculate the non-cubical rocks as follows:

$$NCR = \sum P_{Wnc}$$

where NCR = non-cubical rocks (%)
 P_{Wf} = weighted percentage of flat rocks
 P_{We} = weighted percentage of elongated rocks
 P_{Wfe} = weighted percentage of flat and elongated rocks

8 Records

The following shall be recorded:

- 8.1 Date of sampling.
- 8.2 Material type.
- 8.3 Source of material.
- 8.4 Nominal size (mm).
- 8.5 Sampling location including GPS reference if required.
- 8.6 Amount of material represented.
- 8.7 For material sampled in stockpile, the lot identification.
- 8.8 Name of sampler.
- 8.9 Reference to the sampling plan.
- 8.10 For material in a stockpile, a dimensioned plan of the lot showing sample location together with points of reference.
- 8.11 Any other relevant information.

9 Reporting

The following shall be reported:

- 9.1 For sampling report the following:
 - 9.1.1 Date of sampling.
 - 9.1.2 Material type.
 - 9.1.3 Source of material.
 - 9.1.4 Sampling location.
 - 9.1.5 Lot identification.
 - 9.1.6 Reference to the sampling plan.
- 9.2 For testing report the following values and information:
 - 9.2.1 The percent passing each fraction to the nearest 1 percent.
 - 9.2.2 The misshapen rocks in the sample to the nearest 1 percent (if required).
 - 9.2.3 The weighted percentage of flat, elongated and flat and elongated rocks and non-cubical rocks to the nearest 0.1 percent (if required).
 - 9.2.4 Calliper ratio's used.

10 Notes on method

- 10.1 The mass of the test sample should be large enough to ensure a representative gradation is obtained with a desired level of accuracy. It should be large enough so that the addition or loss of the largest rock would not change the results by more than a specified percentage. For example if the largest expected rock is 400 mm, then to provide an effect on the test results of 1% or less the sample size should be greater than 13,164 kg while an effect of 2% or less would require a sample size of 6,582 kg. Sample size can be calculated as follows:

$$m_{\min} = \frac{1}{2} \left(1 + \frac{\pi}{6} \right) D^3 \rho_{\text{st}} 1000 \frac{100}{P}$$

- where m_{\min} = minimum sampler size (kg)
 D = diameter of largest expected rock (m)
 ρ_{st} = apparent particle density (t/m³)
 P = effect on accuracy of addition/loss of largest rock (%)

For Table 1 of this method the effect on accuracy is assumed to be 2% and the apparent particle density is 2.700 t/m³.

10.2 A separate calliper ratio may be required for non-cubical rocks.

Table 1 – Test portion and balance requirements

Maximum particle size (mm)	Minimum test portion mass (kg)	Balance resolution (kg)	Balance limit of performance (kg)
500	12000	-	-
300	5600	-	-
250	1600	-	-
200	800	-	-
150	300	-	-
120	150	0.01	± 0.05
100	100	0.01	± 0.05

Table 2 – Template size requirements

Nominal aperture size (mm)	Tolerance for aperture (mm)
500	± 6.0
300	± 6.0
250	± 5.0
200	± 4.0
150	± 3.0

Test Method Q303A: Preparation of asphalt core samples

1 Source

This method was developed in-house and applies techniques evolved through internal departmental research investigations.

2 Scope

This method describes the procedure for the preparation of asphalt core samples prior to testing. It involves cleaning, separation and sectioning of the core samples as appropriate using a hammer and bolster. For preparation using a masonry saw, refer to Test Method AS 2891.1.2.

3 Definition

For the purpose of this method, the following definition shall apply:

- 3.1 Constant mass - when air drying, a core sample is considered to have reached a constant mass when the difference between successive determinations of mass, after a further 24 hours drying, is not more than 0.03 percent.

4 Apparatus

The following apparatus is required:

- 4.1 Hammer and bolster.
4.2 Stiff wire brush.
4.3 Marking crayon.

5 Procedure

Core sample shall be prepared as follows.

- 5.1 Remove any base material, seal, tack coat or other foreign matter from the core sample using the hammer and bolster. Take care when chipping to avoid damaging the sample.
- 5.2 Brush the top and bottom surfaces of the core sample with the wire brush to remove any remaining foreign matter and to expose fresh binder.
- 5.3 Where different asphalt layers within the core sample are required to be separated, perform the following procedure:
- place the bolster along the junction of the two layers and strike firmly with the hammer
 - rotate the sample through 180° and repeat Step 5.3 a)
 - rotate the sample through 90° and repeat Step 5.3 a)
 - repeat Steps 5.3 b) and 5.3 c) until the two layers are separated.
- 5.4 The core sample needs to be dry when performing tests influenced by moisture content, for example, compacted density, voids properties. If dry samples are required:
- air dry the core sample or core sample sections as appropriate to constant mass, or
 - vacuum dry the core sample or core sample sections as detailed in Test Method Q324.
- 5.5 Mark the core sample or core sample sections as appropriate with an identification number.

Test Method Q303B: Preparation of asphalt mix from a core sample

1 Source

This method was developed in-house using basic asphalt sampling principles and techniques evolved through internal departmental research investigations.

2 Scope

This method describes the procedure for obtaining a representative sample of the asphalt within a compacted asphalt pavement from a core sample taken from the pavement.

3 Apparatus

The following apparatus is required:

- 3.1 Oven, of suitable capacity, having a temperature of about 150°C.
- 3.2 Sampling tube, rigid metal tube of 125 mm internal diameter having a bevelled or sharpened edge at one end and a length of about 200 mm.
- 3.3 Sample tray, a flat-bottomed tray of sufficient capacity to contain the mix comprising the asphalt core sample.

4 Procedure

The procedure shall be as follows:

- 4.1 Determine which of the top and bottom surfaces of the core sample has the greater surface texture and place the core sample on the sample tray with this surface downwards.
- 4.2 Place the sample tray containing the core sample in the oven.
- 4.3 Heat the core sample just sufficiently to allow ready separation of the mix particles without binder drainage or loss of shape (Note 5.1).
- 4.4 Remove the sample tray containing the softened but intact core sample from the oven.
- 4.5 Carefully position the bevelled or sharpened end of the sampling tube centrally against the upper surface of the core sample. With sufficient downward force and gentle rotation back and forth, carefully ease the sampling tube through the entire length of the core sample, progressively removing material on the outside of the tube and ensuring that:
 - a) if most of a particle is on the inside of the tube, the particle is included with the mix within the tube
 - b) if most of a particle is on the outside of the tube, the particle is included with the mix outside the tube, and
 - c) if the tube bisects a particle, the particle should be included with the mix either within the tube or outside the tube so that 50% of all such particles are included with the mix within the tube and 50% with the mix outside the tube.
- 4.6 Discard all mix outside the sampling tube.
- 4.7 Retain the mix within the sampling tube as a representative portion of the mix within the core sample.

5 Notes on method

- 5.1 The heating time will vary according to the sample dimensions. For 150 mm diameter core samples, a heating time of 15 to 30 minutes at 150°C is usually adequate.

Test Method Q304A: Permeability of asphalt - ponding method

1 Source

This method was developed in-house using techniques evolved through internal departmental research investigations (Waters, T.J., *Permeability of Asphalt – Ponding Method, Report TT306, 1999*).

2 Scope

This method describes the procedure for the laboratory determination of the permeability of asphalt using the ponding method. It is applicable to cylindrical asphalt specimens of 100 mm or 150 mm diameter, either cored from the pavement or manufactured in the laboratory. It is restricted to asphalt having permeability values within the range of 0.1 to 3000 $\mu\text{m/s}$.

3 Definition

For the purpose of this method, the following definition shall apply:

- 3.1 Constant mass - when air drying, a core sample is considered to have reached a constant mass when the difference between successive determinations of mass, after a further 24 hours drying, is not more than 0.03 percent.

4 Apparatus

The following apparatus is required:

- 4.1 Balance of suitable capacity, with a resolution of at least 0.1 g and with a limit of performance within the range of ± 0.5 g.
- 4.2 Laboratory permeameter, a clear perspex cylinder of known internal diameter having a wall thickness of about 3 mm and a length of 225 mm with etched measuring marks at 165 mm and 185 mm (Figure 1). The external diameter of the cylinder needs to be either 100 mm or 150 mm, matching the diameter of the asphalt specimen.
- 4.3 Funnel, of appropriate dimensions to contain the asphalt specimen (Figure 1).
- 4.4 Tripod, of appropriate dimensions to support the collection funnel, sample and cylinder above the beaker.
- 4.5 Beaker, of 200 mL capacity.
- 4.6 Container, of 1 L capacity and fitted with a pouring lip.
- 4.7 Stopwatch or other suitable timing device, with a resolution not exceeding 0.1 seconds.
- 4.8 Spatula, to apply silicone sealant to the cylinder and sample.
- 4.9 Calliper, suitable for measuring the dimensions of the asphalt specimen, with a resolution not exceeding 0.1 mm and complying with AS 1984 or JIS B 7507.

5 Materials

The following materials are required:

- 5.1 Silicone sealant (Note 9.1).

6 Procedure

The procedure shall be as follows:

- 6.1 If the specimen is not dry or has been extracted using Subsection 7.2 (wet coring method) of Test Method AS 2891.1.2, dry the specimen as follows:
 - a) air dry the specimen to constant mass, or
 - b) vacuum dry the specimen as detailed in Test Method Q324.
- 6.2 Measure the thickness of the specimen using the calliper at eight evenly distributed points around the perimeter and calculate the average thickness to the nearest 0.1 mm.
- 6.3 Measure the diameter of the specimen using the calliper at four evenly distributed points around the perimeter and calculate the average diameter to the nearest 0.1 mm.
- 6.4 Apply a thin layer of silicone sealant to completely seal the circumferential wall of the asphalt specimen.
- 6.5 Apply silicone sealant to the bottom edge of the cylinder and place the cylinder centrally on top of the specimen. Use additional sealant as required to seal the join between the cylinder and the specimen, ensuring that the sealant does not penetrate inside the cylinder.
- 6.6 Allow the silicone sealant to cure to a firm and tack-free state.
- 6.7 Position the funnel in the tripod and then seat the test specimen and attached cylinder in the funnel in an upright position.
- 6.8 Using the container, pour water into the cylinder until the water level is above 185 mm.
- 6.9 Allow the water to run through the specimen for 5 minutes or until the water level drops about 50 mm (Note 9.2).
- 6.10 Pour additional water into the cylinder until the water level is just above 185 mm.
- 6.11 Record the time taken for the water level to drop from 185 mm to 165 mm to the nearest 0.1 seconds.
- 6.12 Repeat Steps 6.10 to 6.11 twice (Notes 9.3 and 9.4).

7 Calculations

Calculations shall be as follows:

- 7.1 Calculate the average of the three time measurements to the nearest 0.1 seconds.
- 7.2 Calculate the volume of the cylinder between the 165 mm and 185 mm marks to the nearest 0.1 mL as follows:

$$V = \frac{\pi D^2}{200}$$

where V = volume of cylinder between 165 mm and 185 mm marks (mL)

D = internal diameter of cylinder (mm)

- 7.3 Calculate the flow rate as follows (Note 8.5):

$$F = \frac{V}{t}$$

where F = flow rate (mL/s)

- V = volume of cylinder between 165 mm and 185 mm marks (mL)
 t = average time for water level to drop from 185 mm to 165 mm (s)

7.4 Calculate the effective head of water as follows (Note 8.5):

$$h_e = \frac{h_1 + h_2}{2}$$

- where h_e = effective head (mm)
 h_1 = initial head (mm)
 h_2 = final head (mm)

In the usual case when the initial head is 185 mm and the final head is 165 mm, the effective head will be 175 mm.

7.5 Calculate the hydraulic gradient as follows:

$$i = \frac{h_e + L}{L}$$

- where i = hydraulic gradient
 h_e = effective head (mm)
 L = thickness of specimen (mm)

7.6 Calculate the cross-sectional area of the specimen as follows:

$$A_s = \left(\frac{\pi D_s^2}{4} \right) 10^{-6}$$

- where A_s = cross-sectional area of specimen (m²)
 D_s = diameter of specimen (mm)

7.7 Calculate the permeability as follows:

$$k = \frac{F}{A_s i}$$

- where k = permeability (μm/s)
 F = flow rate (mL/s)
 A_s = cross-sectional area of specimen (m²)
 i = hydraulic gradient

8 Reporting

The following shall be reported:

- 8.1 Whether the sample is a core or a laboratory prepared specimen.
 8.2 Test location including a longitudinal (chainage) and a lateral (offset) reference, where the sample is a core.
 8.3 Mix and compaction details, where the sample is a laboratory prepared specimen.

- 8.4 Permeability to three significant figures ($\mu\text{m/s}$).
- 8.5 The permeability category and description (Table 1).

9 Notes on method

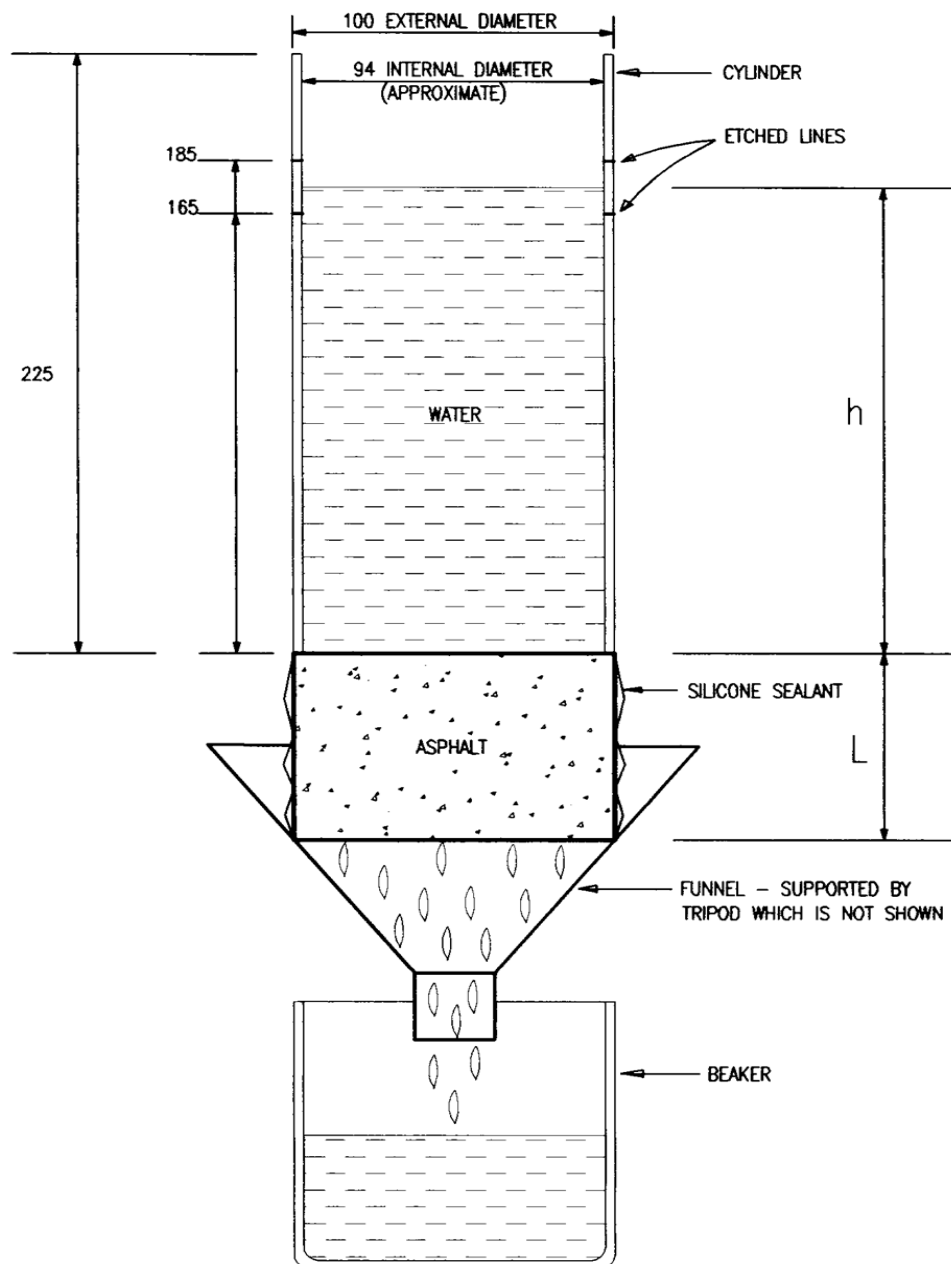
- 9.1 Before handling the silicone sealant, the operator should consult the relevant SDS.
- 9.2 If there is no change in the water level after 5 minutes, omit Steps 5.10 to 5.12 and Clause 6, and record the permeability as 0 $\mu\text{m/s}$.
- 9.3 For asphalt of very low permeability (Table 1), a single time measurement will suffice and Steps 5.12 and 6.1 may be omitted.
- 9.4 Steps 5.10 to 5.12 provide a measure of the flow rate of water through the specimen. Where the flow rate is slow (say less than 0.05 mL/s), an alternative approach may be used involving a single measurement of the volume of water collected in a beaker positioned beneath the specimen over a specified time period. The effective head will then be the average of the initial and final head over the period when the water volume is collected beneath the specimen.

Table 1 – Permeability category and description

Permeability ($\mu\text{m/s}$)	Category	Description
0	-	Impermeable
0.01 - 0.10	A1	Very low permeability
0.11 - 1.00	A2	Low permeability
1.00 - 10.0	B	Moderately permeable
10.1 - 100	C	Permeable
101 - 1000	D	Moderately free draining

Figure 1 – Laboratory permeameter

(Dimensions in millimetres)



Test Method Q304B: Assessment of asphalt permeability

1 Source

This method was developed in-house but utilises test specimen preparation based on AS 2891.2.2: *Sample preparation - Compaction of asphalt test specimens using a gyratory compactor*, and permeability testing in accordance with Test Method Q304A.

2 Scope

This method sets out the procedure for determining the permeability of asphalt mix corresponding to a specific level of relative compaction. It involves establishing the relationship between permeability and air voids through permeability testing of asphalt test specimens prepared at three compaction levels using a gyratory compactor.

3 Apparatus

Where appropriate, the working tolerances of particular apparatus are contained in Table 1.

The following apparatus is required:

- 3.1 Gyratory compactor, capable of applying a vertical loading stress of 240 kPa to a test specimen in a mould at a rate of 60 rpm and at a fixed angle of 2° for 100 mm diameter specimens and 3° for 150 mm diameter specimens measured at the centre of the height of the mould. The compactor needs to be fitted with the means for providing a continuous readout of test specimen height with the number of compaction cycles.
- 3.2 Specimen mould assembly, as described in AS 2891.2.2 for 100 mm and 150 mm diameter test specimens.
- 3.3 Wearing discs, steel discs of thickness 0.9 mm and diameter 99.8 mm or 149.8 mm as appropriate.
- 3.4 Specimen extractor, of suitable design to enable the test specimen to be removed intact from the mould.
- 3.5 Oven, thermostatically controlled at a temperature of 150°C.
- 3.6 Balance of a suitable capacity, having a resolution of at least 0.1 g and with a limit of performance within the range of ± 0.5 g.
- 3.7 Thermometer, a partial immersion thermometer or other suitable temperature measuring device having a temperature range which includes 150°C, and graduated to 1°C or less with an uncertainty of no more than 0.5°C.
- 3.8 Assorted mixing and handling apparatus, such as steel trays, trowels, spatulas and scoops.

4 Materials

The following materials are required:

- 4.1 Paper discs, having a diameter of about 100 mm.
- 4.2 Lubricant, suitable light oil for lubricating the paper discs (Note 8.1).

5 Procedure

The procedure shall be as follows:

- 5.1 Determine the maximum density of the mix in accordance with Test Method Q307A.

- 5.2 Select a target relative compaction level of 91% as determined in accordance with Test Method Q314.
- 5.3 Select the appropriate specimen mould assembly for the particular mix nominal size and place it in the oven for a period of at least 1 hour.
- 5.4 Remove the mould assembly from the oven and position a lubricated paper disc on the lower wearing disc in the mould.
- 5.5 Using the maximum density of the mix, the dimensions of the mould assembly and the test specimen height relevant to the mix nominal size in Table 2, estimate the quantity of mix required to provide the target relative compaction level.
- 5.6 Transfer this quantity of mix into the mould and return the mould assembly to the oven for 60 ± 10 minutes.
- 5.7 Remove the mould assembly from the oven, place a thermometer in the mix and measure the temperature. Provided that the temperature is within $150 \pm 3^{\circ}\text{C}$, level the mix in the mould and place a lubricated paper disc on the mix surface (Note 8.2).
- 5.8 Place the upper wearing disc and top platen on the mix in the mould, position the mould assembly in the gyratory compactor and lock the mould assembly in place.
- 5.9 Compact the mix in the mould assembly until the test specimen height relevant to the mix nominal size in Table 2 is reached.
- 5.10 Remove the mould assembly from the gyratory compactor and take off the upper platen.
- 5.11 Allow the mould to cool sufficiently in air and then remove the test specimen from the mould using the specimen extractor, while ensuring the test specimen remains intact and shows no deformation.
- 5.12 Determine the compacted density and air voids of the test specimen in accordance with Test Method Q306C and Test Method Q311 respectively.
- 5.13 Repeat Steps 5.3 to 5.12 until three test specimens are prepared having an air voids of $9 \pm 1\%$.
- 5.14 Repeat Steps 5.3 to 5.12 using a target compaction level of 93% until three test specimens are prepared having an air voids of $7 \pm 1\%$.
- 5.15 Repeat Steps 5.3 to 5.12 using a target compaction level of 95% until three test specimens are prepared having an air voids of $5 \pm 1\%$.
- 5.16 Remove the silicone sealant from each of the nine test specimens and determine the permeability of each in accordance with Test Method Q304A.
- 5.17 Do not accept any of the nine test specimens determined to be impermeable or have a very low permeability as defined in Test Method Q304A for the assessment of asphalt permeability. When not accepted, prepare a replacement test specimen using an appropriate lower relative compaction as described in Steps 5.3 to 5.12, and test its permeability as described in Step 5.16.

6 Calculations

Calculations shall be as follows:

- 6.1 Using the permeability and air voids results for each test specimen, determine the linear regression relationship between log permeability and air voids.

- 6.2 Accept the relationship determined in Step 6.1 provided that its coefficient of determination (r^2) satisfies the relevant minimum value of Table 3. Otherwise, test additional test specimens prepared at appropriate air voids within the range of 5 to 9%, as described in Steps 5.3 to 5.12 and 5.16 to 6.1, until the requirements of Table 3 are met.
- 6.3 Where required, calculate the permeability value corresponding to a specific value of air voids from this relationship.

7 Reporting

The following shall be reported:

- 7.1 The air voids and permeability test results for each test specimen.
- 7.2 The linear regression relationship between log permeability and air voids.
- 7.3 Where required, the permeability value corresponding to a specific value of air voids to the nearest 1 $\mu\text{m/s}$.

8 Notes on method

- 8.1 Before handling the oil, the operator should consult the relevant SDS.
- 8.2 If the temperature of the mix falls below the compaction temperature range, the mix may be reheated. This will involve returning the mould assembly containing the mix to the oven until it reaches oven temperature and then repeating Step 5.7.

Table 1 - Specifications and working tolerances of apparatus

Item	Unit	Value	Working tolerance
Gyratory compactor			
Load application rate	rpm	60	± 5
Wearing disk			
Diameter	mm	99.8 or 149.8	± 0.1
Thickness	mm	0.9	± 0.02
Oven			
Temperature	$^{\circ}\text{C}$	150	± 5

Table 2 - Test specimen height

Mix nominal size	Unit	Value	Working tolerance
DG14	mm	50	± 2
DG20	mm	65	± 2
DG28	mm	90	± 2

Table 3 - Coefficient of determination (r^2) minimum values

Number of test results	Minimum value	Number of test results	Minimum value
9	0.636	15	0.411
10	0.585	16	0.388
11	0.540	17	0.367
12	0.501	18	0.348
13	0.467	19	0.331
14	0.437	20	0.315

Test Method Q305: Stability, flow and stiffness of asphalt – Marshall

1 Source

This method is based on AS 2891.5: *Determination of stability and flow – Marshall Procedure*. It differs from this Australian Standard by extending the range of asphalt mixes tested with companion alterations to test specimen preparation, apparatus requirements and some other procedural variations.

2 Scope

This method sets out the procedure for preparing test specimens of freshly mixed asphalt (either produced in the laboratory or at a mixing plant) by the Marshall procedure and determining stability, flow and stiffness values of the specimens using the Marshall apparatus. It is applicable to asphalt mixes not exceeding 20 mm nominal size.

3 Apparatus

Where appropriate, the working tolerances of particular apparatus are contained in Tables 1 and 2. An example of the 101.6 mm breaking head is in AS 2891.5 Figure 1 with tolerances included in Clause 4 (b).

The following apparatus is required:

3.1.1 Specimen mould assembly, consisting of:

- a) a cylindrical steel or brass compaction mould having an internal diameter of 101.6 mm, a height of 89 mm and a thickness of 6 mm
- b) a mould base with a thickness of 18 mm, and
- c) an extension collar having an internal diameter of 101.6 mm, a height of 70 mm and a thickness of 6 mm.

3.1.2 Hand compaction hammer, consisting of, a flat circular tamping face having a diameter of 98.5 mm, and a sliding weight with a mass of 4.53 kg and a free fall of 457 mm (Notes 9.1, 9.2 and 9.3)

3.1.3 Hand compaction pedestal, consisting of:

- a) A wooden block, of approximate dimensions 200 mm square and 450 mm thick, capped by a steel plate of approximate dimensions 300 mm square and 25 mm thick, with an air-dry density of 720 kg/m³.
- b) The steel plate securely attached to the block which is secured to a solid concrete floor or slab. Suitable guides for restraining the compaction mould and locating the compaction hammer centrally during compaction may be attached to the block.

3.2 Specimen extrusion jack, consisting of a hydraulic jack fitted with a plate on the ram and located within a metal frame that retains the mould during extrusion of a test specimen. The dimensions of the plate are 100 mm diameter and 6 mm thick for 101.6 mm test specimens.

3.3 Breaking head, consisting of upper and lower cylindrical segments each having an accurately machined inside cylinder face. The lower segment mounted on a base having two perpendicular guide pins extending upwards. Guide bushes on the upper segment are located to direct the segments together without binding or loose motion on the guide pins.

- 3.4 Marshall testing machine, gear driven at a constant speed to give a rate of travel on the platen of 51 mm/min when the force is being applied, and capable of applying forces up to at least 22 kN. The machine is fitted with one of the following measurement systems (Note 9.4):
- a) Elastic proving ring and two flow gauges. The proving ring inserted between the breaking head and the loading beam or crosshead to measure the force on the test specimen. It has a capacity of at least 22 kN with a resolution of at least 0.002 mm and complying with a Class A device for forces up to 4.5 kN and complying with a Class B device for forces between 4.5 kN and its maximum loading. The flow gauges are placed on the guide pins of the breaking head and are capable of measuring the vertical deformation of the test specimen from the onset of load. The gauges have a scale interval of no more than 0.1 mm, or
 - b) Load cell and transducer and appropriate continuous recording device of a capacity and accuracy at least equivalent to that of the proving ring and flow gauges described in Step 3.6.1.
- 3.5 Water bath, mechanically agitated and maintained at a temperature of 60°C. The bath is at least 150 mm deep and fitted with a perforated shelf about 50 mm from the bottom.
- 3.6 Oven, thermostatically controlled at an operating temperature corresponding to the appropriate compaction temperature specified in Table 3.
- 3.7 Hotplate, suitable for heating the mixing apparatus.
- 3.8 Balance of suitable capacity, with a resolution of at least 0.1 g and with a limit of performance within the range of ± 0.5 g.
- 3.9 Thermometer, a partial immersion thermometer or other suitable temperature measuring device having a temperature range which includes the appropriate range of Table 3, and graduated to 1°C or less with an uncertainty of no more than 0.5°C.
- 3.10 Measuring device, suitable for the measurement of the height of test specimens and with a resolution not exceeding 1 mm.
- 3.11 Marker.
- 3.12 Mixing apparatus, such as steel tray, steel trowel, spatulas and scoop.

4 Materials

The following materials are required:

- 4.1 Lubricant, suitable grease or viscous oil for lubricating the compaction moulds (Note 9.5).
- 4.2 Paper segments, of sufficient size to cover the mould base.

5 Preparation

Perform the following for each test specimen to be prepared:

- 5.1 Bring the oven to an operating temperature corresponding to the compaction temperature specified for the binder and asphalt type in Table 3.
- 5.2 Assemble the compaction mould (Note 9.6).
- 5.3 Place the compaction mould in the oven for approximately 1 hour.
- 5.4 Place the appropriate mixing apparatus on the hotplate.

- 5.5 Using the expected compacted density for the mix, calculate the required mass of the mix for the compaction mould to give the desired specimen height of 63.5 mm (Note 9.7).
- 5.6 Prepare the mix in accordance with Subsection 8.2 of Test Method AS 2891.1.1.
- 5.7 Remove the compaction mould from the oven and position a paper segment on the base within the mould.
- 5.8 Transfer the mix into the mould and level the surface of the mix, taking care to avoid segregation.
- 5.9 Place the mould in the oven for 60 ± 5 minutes.
- 5.10 Remove the mould from the oven and measure the mix temperature (Note 9.8). Provided the temperature of the mix is within the compaction temperature range specified in Table 3, position a paper segment on the surface of the mix (Note 9.9).
- 5.11 Transfer the compaction mould to the compaction pedestal and compact the mix using the specified number of blows of the compaction hammer at a rate of 60 to 70 blows per minute with the hammer axis held vertically (Note 9.2). Where the number of blows is not specified, use 50 blows.
- 5.12 Remove the collar and base then reassemble the compaction mould with the test specimen inverted (Note 9.10).
- 5.13 Compact the mix further using the specified number of blows of the compaction hammer at a rate of 60 to 70 blows per minute (Note 9.2). Where the number of blows is not specified, use 50 blows.
- 5.14 Remove the collar and base plate from the compaction mould and paper segments from the test specimen (where relevant), and mark the face of the test specimen clearly with an identification number (Note 9.11).
- 5.15 Allow the mould to cool in air and then extrude the test specimen.

6 Testing of specimens

- 6.1 Remove any lip formed around the edges of each test specimen without damage to the test specimen.
- 6.2 Measure the height of each test specimen at four points evenly spaced around the specimen and calculate the average height to the nearest 1 mm. Discard any test specimen having an average height outside the range of 57 to 70 mm (Note 9.12).
- 6.3 Clean the inside surfaces of the breaking head and lightly grease the guide pins.
- 6.4 Place the breaking head segments (where practicable) and test specimens in the water bath for 30 to 40 minutes.
- 6.5 Remove the breaking head segments from the water bath (where relevant) and complete Steps 6.6 and 6.7 within 30 seconds. If Steps 6.6 and 6.7 are not completed within 30 seconds of removal from the water bath and no load has been applied to the test specimen, return the breaking head (where practicable) and test specimen to the water bath for at least 10 minutes and repeat Steps 6.5 to 6.7. If the test specimen is removed from the water bath for more than five minutes, repeat Steps 6.4 to 6.7.
- 6.6 Remove a test specimen from the water bath and place it centrally on its side in the lower segment of the breaking head. Place the upper segment of the breaking head on the test specimen and place the complete assembly centrally on the Marshall testing machine.

- 6.7 Zero the measurement system, start the Marshall testing machine and perform the test as follows:
- 6.7.1 For the proving ring and flow gauge system, apply the load until shear failure causes the proving ring dial gauge reading to decrease. Remove the flow gauges immediately from the breaking head and record the dial gauge reading to the nearest division and the flow gauge readings to the nearest 0.1 mm.
- 6.7.2 For the load cell and transducer system, where there is provision to capture and review load cell and transducer readings at specific time intervals, perform the following:
- a) Apply the load and record load cell and transducer readings at intervals of 0.01 s until shear failure causes the load cell reading to decrease.
 - b) Determine the first four successive load cell readings where:
 - i. the range of the four readings does not exceed 0.1 kN, or
 - ii. the range of the four readings exceeds 0.1 kN but the fourth reading is lower than the first reading.
 - c) Record the first of these four successive readings as the test load cell reading.
 - d) Determine the transducer reading corresponding to the test load cell reading, adjust it for any seating error and record the adjusted reading as the test transducer reading.
- 6.7.3 For the load cell and transducer system, where there is no provision to capture and review load cell and transducer readings at specific time intervals, apply the load until shear failure causes the load cell reading to decrease. Record the load cell and transducer readings corresponding to the maximum load cell reading. For some asphalt mix types, for example, stone mastic asphalt, the load cell reading may not decrease after shear failure. In cases where the plotted curve plateaus or continues to increase at a near constant rate following shear failure, record the load cell and transducer readings that correspond to the point where the curve generally attains its ultimate constant slope. In this case, deduct any seating error from the transducer reading
- 6.8 Repeat Steps 6.6 to 6.7.3 for each of the remaining test specimens.

7 Calculations

7.1 Stability

- 7.1.1 Calculate the load (L) applied to each test specimen at shear failure to the nearest 0.1 kN using as appropriate:
- a) the recorded dial gauge reading and the calibration relationship for the proving ring as determined in Step 6.7.1, or
 - b) the test load cell reading as determined in Step 6.7.2.
- 7.1.2 Calculate the stability of each test specimen to the nearest 0.1 kN as follows:

$$S=LF$$

where	S	=	stability of test specimen (kN)
	L	=	load at shear failure (kN)
	F	=	correction factor of Table 4 according to the height of the test specimen

- 7.1.3 Calculate the stability of the asphalt as the average of the test specimen stability values to the nearest 0.1 kN.

7.2 Flow

- 7.2.1 Calculate the flow of each test specimen at shear failure to the nearest 0.1 mm using as appropriate:

- a) the average of the two flow gauge readings recorded in Step 6.7.1, or
- b) the test transducer reading as determined in Step 6.7.2.

- 7.2.2 Calculate the flow of the asphalt as the average of the test specimen flow values to the nearest 0.1 mm.

7.3 Stiffness

Calculate the stiffness of the asphalt to the nearest 0.1 kN/mm as follows:

$$\text{Stiffness} = \frac{\text{stability of the asphalt}}{\text{flow of the asphalt}}$$

8 Reporting

Report the following:

- 8.1 Stability to the nearest 0.1 kN.
- 8.2 Flow to the nearest 0.1 mm.
- 8.3 Stiffness to the nearest 0.1 kN/mm.
- 8.4 The number of blows applied to each face of the test specimens during compaction.
- 8.5 The number of this test method, that is Q305.

9 Notes on method

- 9.1 Where a mechanical compactor is used instead of the hand compactor, the mass, free fall and design of the hammer foot should be identical to those of the hand compaction hammer and the automatic compactor should be securely anchored to a concrete base.
- 9.2 Where a mechanical compactor is used, it should be calibrated against hand compaction to determine the number of blows equivalent to the specified number of blows of hand compaction. Calibration checks should be performed on a regular basis and the difference between the density results obtained using the mechanical and hand compaction method should be no greater than 0.01 t/m³. Calibration should be conducted using quartered samples of the mix.
- 9.3 To ensure free fall of the weight is maintained, the shaft of the hammer should be thoroughly cleaned and dried after each set of compaction blows.
- 9.4 The apparatus described in Step 3.4 a) is unsuitable for testing stone mastic asphalt. Use the apparatus described in Step 3.4 b) for this purpose.
- 9.5 Before handling the lubricant, the operator should consult the relevant Safety Data Sheet (SDS).
- 9.6 The cylinder, base and collar may be lightly greased prior to assembly to prevent asphalt mix adhering to the mould.

- 9.7 For 101.6 mm diameter mould, approximately 1250 g is usually required.
- 9.8 For mixes susceptible to loss of binder by the draindown effect, for example, open graded asphalt, the mix in the mould may be tipped out, then returned to the mould and levelled to evenly distribute the binder, taking care to avoid segregation.
- 9.9 The paper segment may be lightly greased prior to placement on the mix to prevent asphalt mix adhering to the compaction hammer.
- 9.10 Where the paper segments have been lightly greased, they may be removed from the test specimen.
- 9.11 For coarsely graded mixes, for example, open graded asphalt, removal of the base plate may be delayed until the mould has cooled.
- 9.12 Any discarded test specimen should be replaced with an additional test specimen prepared in accordance with Steps 5.1 to 6.2.

Table 1 – Compaction equipment dimensions

Compaction equipment	Dimension	Tolerance
Compaction mould		
Internal diameter of cylinder (mm)	101.6	± 0.2
Internal diameter of collar (mm)	101.6	± 0.2
Wall thickness (mm)	6	minimum
Compaction hammer		
Mass of sliding weight (kg)	4.53	± 0.02
Free fall of sliding weight (mm)	457	± 1
Diameter of tamping face (mm)	98.5	± 0.1
Compaction pedestal		
Wooden block, air dry density (kg/m ³)	720	± 50

Table 2 – Test apparatus requirements

Apparatus	Requirement	Tolerance
Marshall testing machine		
Rate of travel (mm/min)	51	± 3
Water bath		
Temperature (°C)	60	± 1
Oven		
Temperature (°C)	Table 3	± 5

Table 3 – Mix compaction temperatures

Binder	Asphalt type	Compaction temperature (°C)
Class 170 bitumen	Dense graded	142 ± 3
Class 170 bitumen	Open graded	120 ± 3
Class 320 bitumen	Dense graded, stone mastic	150 ± 3
Class 320 bitumen	Open graded	125 ± 3
Class 600 bitumen	Dense graded	155 ± 3
M1000/320 multigrade bitumen	Dense graded	155 ± 3
Polymer modified binder	Dense graded, stone mastic	160 ± 3
Polymer modified binder	Open graded	140 ± 3

Table 4 – Factors for correcting Marshall stability for specimen height

Specimen height (mm)	Correction factor (F)		Specimen height (mm)	Correction factor (F)	
	101.6 mm	150 mm		101.6 mm	150 mm
57	1.19	1.3	64	0.99	0.99
58	1.16	1.25	65	0.96	0.96
59	1.13	1.2	66	0.94	0.92
60	1.1	1.15	67	0.92	0.89
61	1.07	1.11	68	0.9	0.87
62	1.04	1.06	69	0.88	0.84
63	1.01	1.02	70	0.86	0.82

Test Method Q306B: Compacted density of dense graded asphalt - presaturation

This test shall be performed in accordance with AS 2891.9.2: *Determination of bulk density of compacted asphalt – Presaturation method*, except that the following shall apply:

- a) the requirements of Clause 6(a) shall not apply when testing prepared production mix.

Test Method Q306C: Compacted density of asphalt - silicone sealed

1 Source

This method was developed in-house using techniques evolved through internal departmental research investigations (Waters T.J., *Voids in Asphaltic Concrete, Report TT99, February 1986*). It applies the principles of Test Method Q306A-2001: *Compacted Density of Dense Graded Asphalt (Wax Sealed)*.

2 Scope

This method describes a procedure for determining the compacted density of asphalt. It is applicable to asphalt samples of all asphalt types either compacted in the laboratory or cut from the pavement. The method is non-destructive and removal of the sealant following testing allows the testing of the sample for other properties.

3 Definition

For the purpose of this method, the following definition shall apply:

- 3.1 Constant mass - when air drying, a core sample is considered to have reached a constant mass when the difference between successive determinations of mass, after a further 24 hours drying, is not more than 0.03 percent.

4 Apparatus

The following apparatus is required:

- 4.1 Balance, a top pan balance of suitable capacity, with a resolution of at least 0.1 g and with a limit of performance within the range of ± 0.5 g. Testing in accordance with Subsection 6.2, will require the balance to be capable of below balance weighing.
- 4.2 Balance bench, equipped with a hole for below balance weighing.
- 4.3 Thermometer, a partial or total immersion thermometer or other suitable temperature measuring device having a temperature range which includes the test temperature, and graduated to 1°C or less with an uncertainty of no more than 0.5°C.
- 4.4 Attachment, a non-absorbent device to suspend the asphalt sample, for example, nylon or wire loop, wire support frame.
- 4.5 Spatula, to apply the sealant to the sample.
- 4.6 Fan, an electric fan to disperse vapours emanating from the sealant during the curing period.
- 4.7 Water container, fitted with an overflow and of suitable dimensions to allow complete immersion of the sample without contacting any part of the container (Subsection 6.2 only).
- 4.8 Water container, of sufficient volume to contain the asphalt sample (Subsection 6.3 only).
- 4.9 Laboratory stand and clamp (Subsection 6.3 only).

5 Material

The following material is required:

- 5.1 Sealant, an acetic cure silicone sealant of known density to the nearest 0.001 t/m³ (Note 8.1).

6 Procedure

The procedure shall be as follows:

6.1 Sample preparation

- 6.1.1 Where the sample is a core sample, prepare as detailed in Test Method Q303A or AS 2891.1.2 Clause 8.
- 6.1.2 Dry the sample as follows:
 - a) air dry the core sample or core sample sections as appropriate to constant mass (Note 9.2), or
 - b) vacuum dry the core sample or core sample sections as detailed in Test Method Q324.
- 6.1.3 Determine the mass of the sample (m_1).
- 6.1.4 Apply silicone sealant to approximately one-half of the surface area of the sample to achieve a smooth and even finish (Note 9.3).
- 6.1.5 Place the sample in front of a fan and allow the sealant to cure to a firm and tack-free state.
- 6.1.6 Apply silicone sealant to the remainder of the sample to achieve a smooth and even finish (Note 9.3). A guide to the mass of sealant required for different sample heights, diameters and air voids is given in Table 1.
- 6.1.7 Allow the sealant to cure (Note 9.4).
- 6.1.8 Inspect the sealed sample, apply silicone sealant to any unsealed areas and allow the sealant to cure.
- 6.1.9 Determine the mass of the sealed sample (m_2).

6.2 Density measurement using below balance weighing

- 6.2.1 Place the container directly below the hole in the balance bench, fill it until water escapes from the overflow and allow the excess water to run to waste.
- 6.2.2 When water has ceased dripping from the overflow, fit the attachment to the balance, allow the remainder of the attachment to be immersed in the water container, and zero the balance.
- 6.2.3 Using the attachment, suspend the sealed sample from the balance and gently lower it into the water container until completely immersed, taking care to ensure that the suspended sample hangs free of the sides and bottom of the container.
- 6.2.4 Add additional water if necessary until water escapes from the overflow, and allow the excess water to run to waste.
- 6.2.5 When water has ceased dripping from the overflow, determine the mass of the immersed sealed sample (m_3).
- 6.2.6 Record the temperature of the water in the container to the nearest 1°C.

6.3 Density measurement using above balance weighing

- 6.3.1 Add sufficient water to the container to completely immerse the sample. Place the container and water on the balance and zero the balance.
- 6.3.2 Position the laboratory stand and clamp so that the clamp is directly above the container on the balance.

- 6.3.3 Suspend the sealed sample from the clamp and gently lower it into the water container until completely immersed, taking care to ensure that the suspended sample hangs free of the sides and bottom of the container.
- 6.3.4 Determine the mass of the immersed sealed sample and attachment (m_3), noting the height of water on the attachment at the time of weighing.
- 6.3.5 Remove the sample from the water container and zero the balance.
- 6.3.6 With the attachment immersed to the same depth as noted in Step 6.3.4, determine the mass of the suspended attachment (m_4).
- 6.3.7 Record the temperature of the water in the container to the nearest 1°C.

7 Calculations

Calculations shall be as follows:

7.1 Below balance weighing

Calculate the compacted density of the sample as follows:

$$D_c = \frac{m_1}{\frac{(m_2 - m_3)}{D_w} - \frac{(m_2 - m_1)}{D_s}}$$

- where D_c = compacted density of sample (t/m^3)
- m_1 = mass of sample (g)
- m_2 = mass of sealed sample (g)
- m_3 = mass of immersed sealed sample (g)
- D_w = density of water at test temperature (t/m^3) (Table 2)
- D_s = density of silicone sealant (t/m^3)

7.2 Above balance weighing

Calculate the compacted density of the sample as follows:

$$D_c = \frac{m_1}{\frac{(m_3 - m_4)}{D_w} - \frac{(m_2 - m_1)}{D_s}}$$

- where D_c = compacted density of sample (t/m^3)
- m_1 = mass of sample (g)
- m_2 = mass of sealed sample (g)
- m_3 = mass of immersed sealed sample and attachment (g)
- m_4 = mass of immersed attachment (g)
- D_w = density of water at test temperature (t/m^3) (Table 2)

$$D_s = \text{density of silicone sealant (t/m}^3\text{)}$$

8 Reporting

Report the compacted density of the sample to the nearest 0.001 t/m³.

9 Notes on method

9.1 Before handling any sealant, the operator should consult the relevant SDS.

9.2 A core sample may be assumed to be dry and not require drying to constant mass where:

- The core sample has been taken from the asphalt pavement using Subsection 7.3 (dry coring method) of Test Method AS 2891.1.2, and
- The asphalt pavement from which the core sample has been taken has remained dry since placement.

9.3 During the application of the silicone sealant, it is important that no air is trapped between the silicone sealant layer and the surface of the sample.

9.4 For 100 mm diameter asphalt cores or laboratory manufactured samples, the minimum curing period may be determined from the following expression:

$$C = \frac{(M-30)}{10} + 0.5$$

where C = minimum curing time (hours)

M = mass of silicone sealant to the nearest 5 g

For 150 mm diameter asphalt cores or laboratory manufactured samples, the minimum curing period for the same mass of sealant will be about 0.54C. For other asphalt samples, the minimum curing period may be estimated from the above expression using relative surface area considerations.

Table 1 – Guide to the mass of silicone sealant required for test samples

Sample height (mm)	Mass of silicone sealant (g)					
	Sample air void content (%)			Sample air void content (%)		
	< 5	5-8	> 8	< 5	5-8	> 8
	Sample diameter 100 mm			Sample diameter 150 mm		
≤ 20	20 - 30	30 - 45	40 - 60	55 - 65	65 - 80	75 - 95
21 - 30	25 - 35	35 - 50	45 - 65	60 - 70	70 - 85	80 - 100
31 - 40	30 - 40	40 - 55	50 - 70	70 - 80	80 - 105	90 - 110
41 - 50	35 - 45	45 - 60	55 - 75	75 - 85	85 - 105	95 - 110
51 - 60	40 - 50	50 - 65	60 - 80	85 - 95	95 - 110	105 - 125
61 - 70	45 - 55	55 - 70	65 - 85	90 - 100	100 - 115	110 - 130
71 - 80	50 - 60	60 - 75	70 - 90	100 - 110	110 - 125	120 - 140

Sample height (mm)	Mass of silicone sealant (g)					
	Sample air void content (%)			Sample air void content (%)		
	< 5	5-8	> 8	< 5	5-8	> 8
	Sample diameter 100 mm			Sample diameter 150 mm		
81 - 90	55 - 65	65 - 80	75 - 90	105 - 115	115 - 130	125 - 145
91 - 100	60 - 70	70 - 85	80 - 100	115 - 125	125 - 140	135 - 155

Table 2 – Density of water

Temperature (°C)	Density (t/m ³)	Temperature (°C)	Density (t/m ³)	Temperature (°C)	Density (t/m ³)
0	0.9998	14	0.9992	28	0.9962
1	0.9999	15	0.9991	29	0.9959
2	0.9999	16	0.9989	30	0.9957
3	1.0000	17	0.9988	31	0.9953
4	1.0000	18	0.9986	32	0.9950
5	1.0000	19	0.9984	33	0.9947
6	0.9999	20	0.9982	34	0.9944
7	0.9999	21	0.9980	35	0.9940
8	0.9999	22	0.9978	36	0.9937
9	0.9998	23	0.9975	37	0.9933
10	0.9997	24	0.9973	38	0.9930
11	0.9996	25	0.9970	39	0.9926
12	0.9995	26	0.9968	40	0.9922
13	0.9994	27	0.9965		

Test Method Q306D: Compacted density of asphalt - mensuration

This test shall be performed in accordance with AS 2891.9.3: *Determination of bulk density of compacted asphalt – Mensuration method*.

Test Method Q306E: Compacted density of asphalt - nuclear gauge

This test shall be performed in accordance with Test Method N04: *Compacted Density of Asphalt* contained within the department's *Nuclear Gauge Testing Manual*.

Test Method Q307A: Maximum density of asphalt – water displacement

This test shall be performed in accordance with AS 2891.7.1: *Determination of maximum density of asphalt – Water displacement method* except as follows:

- Add the following to Clause 6 (a) "For nominal size mix 20 mm or greater, a pycnometer of about 3 L capacity may be used".

Test Method Q308A: Binder content and aggregate grading of asphalt – reflux method

1 Source

This method applies the principles of AS 2891.3.1: *Binder content and aggregate grading - Reflux method*.

2 Scope

This method describes the procedure for the determination of the binder content of asphalt by solvent extraction and, subsequently, the particle size distribution of the aggregate by sieve analysis.

3 Apparatus

Where appropriate, the working tolerances of particular apparatus are contained in Table 1.

The following apparatus is required:

3.1 Balances:

- a) balance of suitable capacity, with a resolution of at least 0.1 g and with a limit of performance within the range of ± 0.5 g, and
- b) balance of suitable capacity, with a resolution of at least 0.001 g and with a limit of performance within the range of ± 0.005 g.

3.2 Oven of suitable capacity, thermostatically controlled to operate at a temperature of at least 105°C.

3.3 Centrifuge, an electric centrifuge capable of holding at least two 15 mL aliquots.

3.4 Hotplate, capable of maintaining a temperature of 305°C (Note 10.1).

3.5 Fume cupboard.

3.6 Flask, conical flask of 2 L capacity with a ground glass neck of at least 55 mm diameter and fitted with a stopper.

3.7 Condenser, double surface condenser to fit the neck of the flask.

3.8 Beaker, of at least 100 mL capacity.

3.9 Containers, two flat-bottomed aluminium containers of approximate dimensions 100 mm diameter and 75 mm depth and equipped with tightly fitting slip-on lids.

3.10 Metal tray, of sufficient capacity to contain the aggregate.

3.11 Sieves, 37.5 mm, 26.5 mm, 19.0 mm, 13.2 mm, 9.50 mm, 6.70 mm, 4.75 mm, 2.36 mm, 1.18 mm, 0.600 mm, 0.300 mm, 0.150 mm, 0.075 mm and reinforced 0.075 mm as required complying with ISO 3310.

3.12 Sieve brush.

3.13 Mechanical sieve shaker (optional).

4 Materials

The following materials are required:

4.1 Solvent, toluene commercial grade (Notes 10.2 and 10.3).

4.2 Washing solvent such as kerosene, mineral turpentine or similar (optional) (Note 10.2).

5 Procedure – binder content

The following procedure shall be conducted on a single test portion for asphalt of nominal size less than 20 mm and on two test portions for asphalt of nominal size 20 mm or larger (Note 10.4).

- 5.1 Weigh the flask with stopper and record the mass to the nearest 0.1 g (m_1).
- 5.2 If necessary, warm the test sample just sufficiently by heating, preferably in the oven, to loosen the mass of material.
- 5.3 Obtain a representative sample of approximately 1200 g by coning and quartering in accordance with Section 8 of Test Method AS 2891.1.1.
- 5.4 With the flask held at an angle of about 45 degrees, transfer the sample to the flask and allow it to cool. Weigh the flask with stopper and record the mass to the nearest 0.1 g (m_2).
- 5.5 Add a quantity of solvent to the flask at least equivalent in mass to the sample mass.
- 5.6 Fit the reflux condenser to the flask and gently warm the flask and contents on the hotplate in the fume cupboard to dissolve the binder (Note 10.5). Shake the flask frequently during this refluxing operation to prevent binder from caking on the bottom of the flask.
- 5.7 Allow the flask to cool to room temperature with the condenser still in position. Remove the condenser and fit the stopper.
- 5.8 Weigh the flask and stopper and record the mass to the nearest 0.1 g (m_3).
- 5.9 Perform the following procedure on two aliquots:
 - 5.9.1 Using the beaker, transfer an aliquot of at least 15 mL of the solution from the flask to the centrifuge tube(s). Stopper the tube(s) immediately and centrifuge to separate any suspended mineral matter.
 - 5.9.2 Weigh a container with lid and record the mass to the nearest 0.001 g (m_4).
 - 5.9.3 Pour the supernatant liquid from the centrifuge tube(s) into the container, taking care not to disturb the settled mineral matter, and fit the lid. Weigh the container immediately and record the mass to the nearest 0.001 g (m_5).
 - 5.9.4 Remove the lid and place the container on the hotplate maintained at a temperature of $305 \pm 10^\circ\text{C}$ in the fume cupboard to evaporate the solvent. Continue the heating for two minutes after fumes are first seen to rise from the binder (Notes 10.1 and 10.6).
 - 5.9.5 Remove the container from the hotplate, replace the lid and allow the container to cool to room temperature.
 - 5.9.6 Weigh the container and lid and record the mass to the nearest 0.001 g (m_6).

6 Calculations – binder content

Calculations shall be as follows:

- 6.1 Calculate the binder content based on each aliquot to the nearest 0.01% as follows:

$$B_a = \frac{(m_3 - m_2)(m_6 - m_4)100}{(m_5 - m_6)(m_2 - m_1)}$$

where	B_a	=	binder content based on one aliquot (%)
	m_3	=	mass of flask and stopper, asphalt sample and solvent (g)
	m_2	=	mass of flask and stopper and asphalt sample (g)
	m_6	=	mass of container and lid and binder (g)
	m_4	=	mass of container and lid (g)
	m_5	=	mass of container and lid and supernatant liquid (g)
	m_1	=	mass of flask and stopper (g)

6.2 Asphalt of nominal size < 20 mm

6.2.1 Provided the difference between the binder contents based on the two aliquots is less than 0.06%, calculate the binder content of the sample (B) as the average of the two results to the nearest 0.01%. Where the difference between the binder contents based on the two aliquots is 0.06 % or greater, repeat Subsection 5.9.

6.3 Asphalt of nominal size ≥ 20 mm

6.3.1 Provided the difference between the binder contents based on the two aliquots from each portion is less than 0.06%, calculate the binder content of each portion as the average of the two results to the nearest 0.01%. Where the difference between the binder contents based on the two aliquots is 0.06 % or greater, repeat Subsection 5.9.

6.3.2 Calculate the binder content of the sample (B) as the average binder content of the two portions to the nearest 0.01%.

7 Procedure – particle size distribution

The procedure shall be as follows:

7.1 Load on sieves

Overloading of sieves may affect the accuracy of results and damage the sieves. The maximum loads on sieves at completion of sieving are set out in Table 2. To prevent overloading:

- use sieves with a larger diameter
- use additional sieves, or
- divide the mass retained on the sieve into two or more portions of a mass less than the recommended loading in Table 2 and pass the separate portions through the sieve.

7.2 Methods of sieve shaking

7.2.1 Perform sieving by hand or with a mechanical shaker. Material retained on 19 mm or larger sieves may be manipulated by hand.

7.2.2 When conducting sieving by hand, employ a lateral and vertical motion accompanied by a slight jarring action to keep the sample moving continuously over the sieve. Particles 19.0 mm or larger may be placed by hand to pass the sieves.

- 7.2.3 When sieving is conducted using a mechanical sieve shaker, sieving is carried out for such time as will give a comparable result to hand sieving, which is generally 12 - 15 minutes.
- 7.2.4 At the end of sieving, hand sieve each portion retained until the mass passing each sieve in one minute is less than 1% of the mass of material retained on that sieve.

7.3 Sieving

- 7.3.1 Pour the solution from the flask over the reinforced 0.075 mm sieve and discard the solvent and fines passing the sieve. Retain as much as is possible of the flask's contents in the flask for further washing.
- 7.3.2 Add solvent or a washing solvent to the flask and shake the flask vigorously.
- 7.3.3 Repeat Steps 7.3.1 and 7.3.2 until the sample is free from binder (Note 10.7).
- 7.3.4 Transfer the bulk of the contents in the flask to the tray, dry on the hotplate and cool to room temperature.
- 7.3.5 Using solvent or washing solvent, transfer any aggregate remaining in the flask to the 0.075 mm reinforced sieve. Dry the aggregate retained on the sieve. Transfer it to the tray using a sieve brush.
- 7.3.6 Pass the contents of the tray through the sieves appropriate to the asphalt type and nominal size.
- 7.3.7 Weigh the aggregate retained on each sieve and record the mass retained (m_r) to the nearest 0.1 g. For asphalt of nominal size ≥ 20 mm, sum the mass retained on each sieve for each of the two portions and record this combined mass as the individual mass retained.

8 Calculations – particle size distribution

Calculations shall be as follows:

8.1 Asphalt of nominal size < 20 mm

- 8.1.1 Calculate the total mass of aggregate to the nearest 0.1 g as follows:

$$m = \frac{(m_2 - m_1)(100 - B)}{100}$$

- where m = total mass of aggregate (g)
- m_2 = mass of flask and asphalt sample (g)
- m_1 = mass of flask (g)
- B = binder content of sample (%)

8.2 Asphalt of nominal size ≥ 20 mm

- 8.2.1 Calculate the mass of each portion to the nearest 0.1 g as follows:

$$m_d = m_2 - m_1$$

- where m_d = mass of portion (g)
- m_2 = mass of flask and asphalt sample (g)
- m_1 = mass of flask (g)

- 8.2.2 Calculate the total mass of sample as the combined mass of the two portions to the nearest 0.1 g as follows:

$$m_s = m_{d1} + m_{d2}$$

where m_s = total mass of sample (g)
 m_{d1} = mass of first portion (g)
 m_{d2} = mass of second portion (g)

- 8.2.3 Calculate the total mass of aggregate to the nearest 0.1 g as follows:

$$m = \frac{m_s (100 - B)}{100}$$

where m = total mass of aggregate (g)
 m_s = total mass of sample (g)
 B = binder content of sample (%)

- 8.3 Calculate the cumulative mass retained on each sieve as follows:

$$M = \sum m_r$$

where M = cumulative mass retained on a particular sieve (g)
 m_r = individual mass retained on each sieve (g)

- 8.4 Calculate the cumulative per cent passing each sieve as follows:

$$P_p = 100 - \frac{100M}{m}$$

where P_p = cumulative percent passing a particular sieve (%)
 M = cumulative mass retained on a particular sieve (g)
 m = total mass of aggregate (g)

9 Reporting

The following shall be reported:

9.1 Binder content

Report the binder content of the sample to the nearest 0.05%.

9.2 Particle size distribution

Report the cumulative per cent passing all sieves to the nearest 1% for values 10%, and to the nearest 0.1% for values < 10%.

10 Notes on method

- 10.1 Depending on the type of binder within the sample and/or container size, it may be necessary to vary the temperature of the hotplate and time of fuming of the binder film. The appropriate

hotplate temperature and fuming time can be determined by calibrating against solutions of known binder content.

- 10.2 Before handling toluene or other solvent, the operator should consult the relevant SDS.
- 10.3 An alternative solvent may be used provided that:
- it meets occupational health and safety requirements, and
 - it can be demonstrated that use of the solvent achieves equivalent test results.
- 10.4 Asphalt having a nominal size less than 20 mm may also be tested using two test portions. In this case, the calculations of Subsections 6.3 and 8.2 apply.
- 10.5 If the aggregate in the bottom of the flask is clean, then all the binder has been dissolved. If the aggregate retains a coating of binder then the refluxing should be continued until the aggregate is clean. For mixes containing slag or other absorptive type aggregates, it may be necessary to heat the mixture for periods up to eight hours in order to extract all traces of absorbed or occluded binder.
- 10.6 Where fumes are not evident within ten seconds of the appearance of a ripple of bubbles across the surface of the binder, continue heating for two minutes from this point.
- 10.7 To enhance drying of the aggregate, acetone may be used in the final washing of the sample (Note 10.2).

Table 1 – Working tolerances for apparatus

Apparatus	Requirement	Tolerance
Hotplate		
Temperature distribution (°C)	305	± 10

Table 2 – Maximum sieve loading

AS Sieve (mm)	Maximum loading (g)	
	200 mm diameter	300 mm diameter
37.5	1000	2220
26.5	800	1800
19.0	600	1200
16.0	500	1050
13.2	400	900
9.50	250	600
6.70	230	500
4.75	200	400
2.36	150	300
1.18	100	-
0.600	75	-
0.300	50	-
0.150	40	-
0.075	25	-

Test Method Q308C: Binder content and aggregate grading of emulsion based cold mix

1 Source

This method applies the principles of water content determination described in AS 2891.10: *Moisture content of asphalt* to the drying of a sample before the determination of binder content and particle size distribution.

2 Scope

This method describes the procedure for the determination of the binder content and aggregate grading of cold mix which has been prepared using bituminous emulsion and has negligible volatile oils content, for example, bituminous slurry surfacing. The method involves extraction of residual water in the mix and determination of the binder content by solvent extraction and the particle size distribution of the aggregate by sieve analysis.

3 Apparatus

The following apparatus is required:

- 3.1 Balance of suitable capacity, with a resolution of at least 0.1 g and with a limit of performance within the range of ± 0.5 g.
- 3.2 Drying oven of suitable capacity, having a temperature of 105–110°C conforming with AS 1141.2.
- 3.3 Metal tray, of sufficient capacity to contain the sample.
- 3.4 Spatula.

4 Procedure

The procedure shall be as follows:

- 4.1 Obtain a representative sample that conforms with the minimum mass requirements of AS 2891.3.1 Table 1 by coning and quartering in accordance with Section 8 of Test Method AS 2891.1.1.
- 4.2 Place the sample into the tray and place the tray and sample into the drying oven and dry to a constant mass.
- 4.3 Using the dry sample from Step 4.2, determine the binder content of the sample and particle size distribution in accordance with either Test Method AS 2891.3.1, Q308A, @308D or AG:PT/T234 as appropriate (Note 6.1).

5 Reporting

The following shall be reported:

5.1 Binder content

Report the binder content of the sample as detailed in Test Method AS 2891.3.1, Q308A, Q308D or AG:PT/T234 and the test method used.

5.2 Particle size distribution

Report the particle size distribution of the sample as detailed in Test Method AS 2891.3.1, Q308A, Q308D or AG:PT/T234 and the test method used.

5.3 Include a statement on the report 'Sample dried in 110°C oven before testing'.

5.4 The number of this test method, that is Q308C.

6 Notes on method

6.1 If binder drainage occurs during drying, remove the binder from the tray with a spatula and return to the sample before commencing the binder content and particle size distribution testing.

Test Method Q308D: Binder content and aggregate grading of asphalt – ignition oven

This test shall be performed in accordance with Austroads Test Method AG:PT/T234: *Asphalt binder content (ignition oven method)* except as follows:

- add the following note to Clause 3a. "For certain heat sources, for example, infrared, an ignition oven temperature lower than 540°C may be applicable".

Test Method Q309: Preparation and testing of asphalt mix

1 Source

This method was developed in-house using techniques evolved through internal departmental research investigations into laboratory mix preparation and evaluation.

2 Scope

This method describes the procedure for the laboratory preparation and testing of asphalt mix designs. It is applicable to both the design and assessment processes associated with asphalt mix design registration.

3 Apparatus

The following apparatus is required:

- 3.1 Mixer, a mechanical mixer comprising a mixing bowl of sufficient capacity to contain an asphalt mix, and an appropriate stirrer that will not cause excessive breakdown of the aggregates and filler. A Hobart dough mixer of 35 L capacity equipped with a heavy-duty wire whip stirrer has been found suitable.
- 3.2 Balance of suitable capacity, with a resolution of at least 1 g and with a limit of performance within the range of ± 5 g.
- 3.3 Drying oven of suitable capacity, having a temperature of 105 - 110°C and complying with AS 1289.0.
- 3.4 Oven of suitable capacity and capable of heating a sample of binder to a temperature of 160 - 180°C.
- 3.5 Hotplate.
- 3.6 Heating container, metal container able to be heated to the required temperature (see Step 7.3) and of sufficient capacity to contain the aggregates and added filler.
- 3.7 Heat source, for heating the aggregates and filler to about 220°C where a bitumen binder is to be used, and to about 240°C where a polymer modified binder is to be used, for example gas burner.
- 3.8 Thermometer, a partial immersion thermometer or other suitable temperature measuring device having a temperature range of at least 150 - 250°C and graduated to 1°C or less with an uncertainty of no more than 0.5°C.
- 3.9 Quartering table, a heated metal tray of appropriate dimensions to contain an asphalt mix. A tray of dimensions 750 mm square has been found suitable.
- 3.10 Mixing tools, assorted metal scoops, trowels and spatulas.
- 3.11 Containers, metal or heavy-duty plastic containers of sufficient capacity to contain the aggregate size fractions. Containers of length 420 mm, width 280 mm and height 150 mm have been found suitable.
- 3.12 Sample dividers, riffles with slot widths of approximately 50 mm, 25 mm, 13 mm and 7 mm.
- 3.13 Sieves, 37.5 mm, 26.5 mm, 19.0 mm, 13.2 mm, 9.50 mm, 6.70 mm, 4.75 mm, 2.36 mm, 1.18 mm, 0.600 mm, 0.300 mm, 0.150 mm, 0.075 mm and reinforced 0.075 mm as required complying with ISO 3310.

- 3.14 Mechanical sieve shaker (optional).
- 3.15 A means for washing the aggregate size fractions.

4 Materials

The following materials are required:

- 4.1 Aggregate components: coarse aggregates, fine aggregates and sand (as appropriate) of the required quantities (see Step 5.6).
- 4.2 Added filler components: fly ash, hydrated lime, baghouse fines or other material of the required quantities (see Step 5.7) (Note 9.1).
- 4.3 Binder: bitumen complying with MRTS 17, polymer modified binder complying with MRTS 18 or other specified binder (Note 9.1).
- 4.4 Other components: fibres and additives (where appropriate) (Note 9.1).

5 Preparation of aggregates and added filler

The aggregates and added filler shall be prepared as follows:

- 5.1 Where necessary, dry the aggregate and added filler components comprising the mix design in the oven.
- 5.2 Determine the total quantity of aggregates and filler required for mix preparation (M).
- 5.3 Where RAP is a component of the mix design, determine the grading and binder content of a representative sample of the RAP material in accordance with Test Method Q308A.
- 5.4 Where RAP is a component of the mix design, calculate the quantity of aggregates and filler in the RAP material as follows:

$$M_{RA} = \frac{M P_R (100 - B_R)}{10^4}$$

- where M_{RA} = mass of RAP aggregates and filler (g)
- M = required mass of aggregates and filler (g)
- P_R = proportion of the RAP component in the mix design (%)
- B_R = binder content of the RAP component (%)

- 5.5 Calculate the quantity of aggregates and filler required, excluding that in any RAP component, as follows:

$$M_T = M - M_{RA}$$

- where M_T = total mass of aggregates and added filler excluding RAP (g)
- M = required mass of aggregates and filler (g)
- M_{RA} = mass of RAP aggregates and filler (g)

- 5.6 Calculate the required mass of each aggregate component to the nearest 1 g as follows (Note 9.2):

$$M_A = \frac{P_A M_T}{(100 - P_R)}$$

- where M_A = required mass of the aggregate component (g)
 P_A = proportion of the aggregate component in the mix design (%)
 M_T = total mass of aggregates and added filler excluding RAP(g)
 P_R = proportion of the RAP component in the mix design (%)

- 5.7 Calculate the required mass of each added filler component to the nearest 1 g as follows (Note 9.2):

$$M_F = \frac{P_F M_T}{(100 - P_R)}$$

- where M_F = required mass of the added filler component (g)
 P_F = proportion of the added filler component in the mix design (%)
 M_T = total mass of aggregates and added filler excluding RAP (g)
 P_R = proportion of the RAP component in the mix design (%)

- 5.8 Obtain the required masses of the aggregate components calculated in Step 5.6 by riffing and then combine these masses into a single sample. Added filler components are not introduced at this stage.
- 5.9 Sieve the combined sample to obtain the size fractions of Table 1 or Table 2 as appropriate using the procedure of Test Method AS 1141.11.1, and place each sieved size fraction into a separate labelled aggregate container.
- 5.10 Wash each size fraction, excepting the material passing 0.075 mm, over a nest of two sieves comprising a sieve corresponding to the retained size fraction and the reinforced 0.075 mm sieve. Wash each size fraction until the wash water is clear.
- 5.11 Wash, dry and resieve all material retained on the 0.075 mm sieve over the sieves used in Step 5.9 in accordance with Test Method AS 1141.11.1. Combine and thoroughly mix the material retained on each sieve with the corresponding size fraction obtained in Step 5.10.
- 5.12 Dry each size fraction in the drying oven (Note 9.3).
- 5.13 Determine the particle size distribution of each added filler component in accordance with Test Method AS 1141.11.1.
- 5.14 Sieve the required mass of each added filler component into the relevant size fractions of Table 1 or Table 2 as appropriate using the procedure of Test Method AS 1141.11.1, and place each sieved size fraction into a separate labelled filler container.

6 Calculation of mix component masses

Calculations shall be as follows:

6.1 Aggregates and added filler components

- 6.1.1 Record the grading of the mix (Note 9.4).
- 6.1.2 Calculate the percentage in each of the relevant size fractions (P_s) of Table 1 or Table 2 as appropriate for the mix grading.
- 6.1.3 Calculate the required mass of each added filler component for each size fraction to the nearest 1 g as follows:

$$M_{FS} = \frac{P_{FS} M_F}{100}$$

- where M_{FS} = required mass of added filler size fraction (g)
- P_{FS} = proportion in the size fraction for the added filler determined from Step 5.13 (%)
- M_F = required mass of added filler calculated in Step 5.7 (g)

- 6.1.4 Calculate the total mass of added filler (M_{FST}) for each size fraction by summing the relevant M_{FS} values for all added filler components.
- 6.1.5 Calculate the required masses of each aggregate size fraction to the nearest 1 g as follows (Note 9.5):

$$M_{AS} = \frac{P_S M_T}{100} - M_{FST} - \frac{M_{RA} P_{RS}}{100}$$

- where M_{AS} = required mass of aggregate size fraction (g)
- P_S = proportion in the size fraction calculated in Step 6.1.2 (%)
- M_T = total mass of aggregate and added filler in the mix (g)
- M_{FST} = total mass of added filler for the size fraction (g)
- M_{RA} = mass of RAP aggregates and filler calculated in Step 5.4 (g)
- P_{RS} = proportion in the size fraction for the RAP material determined from Step 5.3 (%)

6.2 Binder

Record the design binder content of the mix. Where required for dense graded asphalt, calculate the high and low tolerance binder contents by applying the appropriate maximum permitted variations of Table 3 to the design binder content.

7 Preparation of mix

The mix shall be prepared as follows:

- 7.1 Prepare the mixing bowl as follows:
- 7.1.1 Following use of the bowl in mixing aggregate, filler and binder components, empty the bowl and scrape adhering fines from the mixing area within the bowl while allowing a thin coating of binder to remain on the inside surface of the bowl.
- 7.1.2 Preheat the mixing bowl on the hotplate or in the oven.
- 7.2 Weigh the required masses of each size fraction calculated in Steps 6.1.3 and 6.1.5 for a particular mix into the heating container.
- 7.3 Heat the container and contents to the appropriate temperature (Table 4). During the heating process, mix the contents periodically using the scoop to provide an even temperature distribution (Note 9.6).
- 7.4 Heat sufficient binder (and RAP material where applicable) for the mix in the oven to the appropriate temperature (Table 4).
- 7.5 Weigh the heated mixing bowl and record the mass (m_1) to the nearest 1 g.
- 7.6 Remove the container from the heat source and empty the contents carefully into the mixing bowl, ensuring that any fines adhering to the container are returned to the mix by brushing.
- 7.7 With the contents of the mixing bowl at the appropriate temperature (Table 4), weigh the mixing bowl and contents and record the mass (m_2) to the nearest 1 g.
- 7.8 Where RAP is a component of the mix design, calculate the required mass of RAP material for the mix to the nearest 1 g as follows:

$$M_R = \frac{P_R(m_2 - m_1)}{(100 - P_R)}$$

- where M_R = required mass of RAP material (g)
- P_R = proportion of RAP in the mix (%)
- m_2 = mass of mixing bowl and contents (g)
- m_1 = mass of mixing bowl (g)

- 7.9 Remove the RAP material from the oven and add the required mass of representative RAP material (M_R) to the mixing bowl.
- 7.10 Using a scoop or trowel, thoroughly stir the contents of the mixing bowl and then form a crater in the centre of the contents of the mixing bowl.
- 7.11 Calculate the required mass of binder for the mix to the nearest 1 g as follows:

$$M_B = \frac{P_B(m_2 - m_1)}{100 - P_B} - \frac{B_R M_R}{100}$$

- where M_B = required mass of binder (g)
- P_B = proportion of binder in the mix design (%)
- m_2 = mass of mixing bowl and contents (g)
- m_1 = mass of mixing bowl (g)

B_R = binder content of the RAP material (%)

M_R = required mass of RAP material (g)

For stone mastic asphalt, add the fibre component of the mix to the heated contents of the mixing bowl immediately prior to addition of the binder. Where a bituminous pelletised fibre is used, adjust the quantity of binder added to the mix to allow for the binder contribution from the fibre.

- 7.12 Remove the binder from the oven, stir the binder and pour the required mass of binder (M_B) into the crater.
- 7.13 Mechanically mix the contents of the mixing bowl for 90 seconds at the slowest speed.
- 7.14 Stop the mixer and return any binder rich fines adhering to the stirrer and walls of the mixing bowl to the mix by scraping with the trowel or spatula.
- 7.15 Mechanically mix the contents of the mixing bowl for a further 90 seconds at the slowest speed.
- 7.16 Transfer the mix from the mixing bowl to the quartering table. Return any material adhering to the stirrer and mixing bowl to the mix by scraping with the trowel or spatula.
- 7.17 Obtain representative portions of the mix in accordance with Section 8 of Test Method AS 2891.1.1 and prepare test specimens in accordance with Section 5 of Test Method Q305, two for DG28 mix and four for all other mixes.
- 7.18 Remove any lip formed around the edges of each test specimen without damage to the test specimen.
- 7.19 Determine the compacted density of each test specimen in accordance with Test Method Q306C.
- 7.20 Where required, determine the stability, flow and stiffness of the test specimens in accordance with Test Method Q305.
- 7.21 Where required for open graded asphalt and stone mastic asphalt, prepare a 2 kg sample of mix in accordance with Steps 7.1 to 7.16 and test the mix for binder drainage in accordance with Test Method Q310.
- 7.22 Where required for open graded asphalt, test the four specimens for abrasion loss in accordance with Test Method AG:PT/T236.
- 7.23 Prepare a 2 kg sample of mix in accordance with Steps 7.1 to 7.16 and determine the maximum density in accordance with Test Method Q307A.
- 7.24 Where required (excepting open graded asphalt), combine the mix from all test specimens, dry the mix, obtain a representative sample of the combined mix and determine the binder content and grading of the sample in accordance with Test Method Q308A.
- 7.25 Using the corresponding compacted density and maximum density values for each test specimen, determine the air voids for each test specimen in accordance with Test Method Q311.
- 7.26 Calculate the average air voids and average compacted density for the test specimens, and determine the remaining voids properties for the mix in accordance with Test Method Q311.

- 7.27 For tolerance mixes, if the test results for the mix meet the specified requirements within the maximum testing variation limits of Table 5, the mix shall be deemed to comply.

8 Reporting

Report all test results obtained for the mix.

9 Notes on method

- 9.1 Before handling fillers, binders, fibres and additives, the operator should consult the relevant SDS.
- 9.2 M_T should normally be about 50 kg for asphalt nominal size < 20 mm and about 70 kg for asphalt nominal size \geq 20 mm.
- 9.3 The time required to dry the size fractions in the 105-110°C oven will be dependent on the properties of the aggregate. Drying overnight will normally be sufficient, although longer drying periods may be required for aggregates having high water absorption values.
- 9.4 Where a tolerance mix is to be prepared for dense graded asphalt, calculate the coarse and/or fine gradings by applying the appropriate maximum permitted variations of Table 3 to the design grading.
- 9.5 Some breakdown of the aggregates in the mix may occur during the mixing process. Where this breakdown is significant for particular aggregates, an appropriate reduction in the calculated mass of aggregate for the percentage passing 0.075 mm may be necessary.
- 9.6 Mixing for 30 seconds following each 15 minute heating period has been found adequate.

Table 1 - Size fractions for dense graded asphalt

Sieve size (mm)	Size fraction (mm)				
	DG7	DG10	DG14	DG20	DG28
37.5	-	-	-	-	37.5 - 26.5
26.5	-	-	-	26.5 - 19.0	26.5 - 19.0
19.0	-	-	19.0 - 13.2	19.0 - 13.2	19.0 - 13.2
13.2	-	13.2 - 9.50	13.2 - 9.50	13.2 - 9.50	13.2 - 9.50
9.50	9.50 - 6.70	9.50 - 6.70	9.50 - 4.75	9.50 - 4.75	9.50 - 4.75
6.70	6.70 - 4.75	6.70 - 4.75	-	-	-
4.75	4.75 - 2.36	4.75 - 2.36	4.75 - 2.36	4.75 - 2.36	4.75 - 2.36
2.36	2.36 - 1.18	2.36 - 1.18	2.36 - 1.18	2.36 - 1.18	2.36 - 1.18
1.18	1.18 - 0.600	1.18 - 0.600	1.18 - 0.600	1.18 - 0.600	1.18 - 0.600
0.600	0.600 - 0.300	0.600 - 0.300	0.600 - 0.300	0.600 - 0.300	0.600 - 0.300
0.300	0.300 - 0.150	0.300 - 0.150	0.300 - 0.150	0.300 - 0.150	0.300 - 0.150
0.150	0.150 - 0.075	0.150 - 0.075	0.150 - 0.075	0.150 - 0.075	0.150 - 0.075
0.075	< 0.075	< 0.075	< 0.075	< 0.075	< 0.075

Table 2 – Size fractions for stone mastic and open graded asphalt

Sieve size (mm)	Size fraction (mm)			
	SM10	SM14	OG10	OG14
19.0	-	19.0 - 13.2	-	19.0 - 13.2
13.2	13.2 - 9.50	13.2 - 9.50	13.2 - 9.50	13.2 - 9.50
9.50	9.50 - 6.70	9.50 - 6.70	9.50 - 6.70	9.50 - 6.70
6.70	6.70 - 4.75	6.70 - 4.75	6.70 - 4.75	6.70 - 4.75
4.75	4.75 - 2.36	4.75 - 2.36	4.75 - 2.36	4.75 - 2.36
2.36	2.36 - 1.18	2.36 - 1.18	2.36 - 1.18	2.36 - 1.18
1.18	1.18 - 0.600	1.18 - 0.600	1.18 - 0.300	1.18 - 0.300
0.600	0.600 - 0.300	0.600 - 0.300	-	-
0.300	0.300 - 0.150	0.300 - 0.150	0.300 - 0.075	0.300 - 0.075
0.150	0.150 - 0.075	0.150 - 0.075	-	-
0.075	< 0.075	< 0.075	< 0.075	< 0.075

Table 3 - Maximum permitted variation for dense graded asphalt

Sieve size (mm)	Variation (% by mass)	Sieve size (mm)	Variation (% by mass)
≥ 9.50	± 7	0.600	± 4
6.70	± 6	0.300	± 3
4.75	± 6	0.150	± 2
2.36	± 5	0.075	± 1
1.18	± 4		
Binder content (%)		± 0.3*	

* May be tightened to achieve specification compliance

Table 4 - Temperatures for laboratory mix production

Component	Asphalt type	Temperature (°C)*	
		Component	Mixing bowl
Class 320 bitumen	Dense graded, stone mastic	160 - 170	210 - 230
Class 320 bitumen	Open graded	160 - 170	180 - 190
Class 600 bitumen	Dense graded	160 - 170	210 - 230
Multigrade bitumen	Dense graded	160 - 170	210 - 230
A5S polymer modified binder	Dense graded, stone mastic	170 - 180	230 - 250
A5S polymer modified binder	Open graded	170 - 180	200 - 210
Reclaimed asphalt pavement	Dense graded	160 - 170	210 - 230

* For binders other than those listed, the appropriate temperatures may be interpolated/extrapolated based on binder viscosities

Table 5 - Maximum testing variations for dense graded asphalt tolerance mixes

Test method	Property	Maximum testing variation
Q305	Stability (kN)	± 0.3
	Flow (mm)	± 0.1
	Stiffness (kN/mm)	± 0.1
Q311	Air voids (%)	± 0.2
	Voids in mineral aggregate (%)	± 0.3
	Voids filled with binder (%)	± 0.9

Test Method Q310: Binder drainage of asphalt mix

1 Source

This method applies the principles of AUSTRROADS Bituminous Mixtures Test AG:PT/T235: *Asphalt binder drain-off*.

2 Scope

This method determines the propensity of asphalt to lose binder by the draindown effect. It involves heating a sample of representative mix in an oven at a temperature close to that at which the mix will normally be handled and determining the weight of binder remaining when the mix is emptied from the sample container.

3 Apparatus

Where appropriate, the working tolerances of particular apparatus are contained in Table 1.

The following apparatus is required:

- 3.1 Oven of suitable capacity, capable of maintaining the test temperature (Note 8.1).
- 3.2 Balance of suitable capacity, having a resolution of at least 0.1 g and with a limit of performance within the range of ± 0.5 g.
- 3.3 Beaker, glass beaker of 1 litre capacity.
- 3.4 Beaker cover, a watchglass or can lid of suitable size.
- 3.5 Filter funnel, a glass filter funnel.
- 3.6 Metal tray, capable of holding at least 1 kg of mix.
- 3.7 Heat resistant gloves (Note 8.2).

4 Materials

The following materials are required:

- 4.1 Filter paper, Whatman No. 1 or equivalent.
- 4.2 Mineral turpentine (Note 8.3).

5 Procedure

The procedure shall be as follows:

- 5.1 Weigh a 1 litre beaker and record the mass to the nearest 0.1 g (m_1) (Note 8.2).
- 5.2 Prepare a representative sample of 1000 ± 100 g of mix in accordance with Section 8 of Test Method AS 2891.1.1 and place it in the beaker.
- 5.3 Weigh the beaker and mix and record the mass to the nearest 0.1 g (m_2).
- 5.4 Cover the beaker and place it in the oven for 60 ± 1 minutes.
- 5.5 Remove the beaker from the oven with minimal disturbance of the contents.
- 5.6 Remove the cover and immediately upend the beaker over the metal tray. Allow the mix to empty from the beaker without the use of any shaking or vibration for 10 ± 1 seconds and then return the beaker to the upright position.

- 5.7 Weigh the beaker and record the mass to the nearest 0.1 g (m_3).
- 5.8 Add sufficient mineral turpentine to the beaker to dissolve the binder.
- 5.9 Weigh a filter paper and record the mass to the nearest 0.1 g (m_4).
- 5.10 Filter the solution and transfer the entire contents of the beaker to the filter paper using additional mineral turpentine as required.
- 5.11 Wash the residue on the filter paper with mineral turpentine until it is free of binder.
- 5.12 Dry the filter paper ensuring no loss of residue.
- 5.13 Weigh the filter paper and residue and record the mass to the nearest 0.1 g (m_5).

6 Calculations

Calculate the binder drainage of the sample to the nearest 0.01% as follows:

$$BD = \frac{100(m_3 + m_4 - m_1 - m_5)}{(m_2 - m_1)}$$

- where BD = binder drainage (%)
- m_3 = mass of beaker, binder and residue (g)
- m_4 = mass of filter paper (g)
- m_1 = mass of beaker (g)
- m_5 = mass of filter paper and residue (g)
- m_2 = mass of beaker and mix (g)

7 Reporting

Report the binder drainage of the sample to the nearest 0.01%.

8 Notes on method

- 8.1 Appropriate test temperatures are 150°C (bitumen binder) and 175°C (polymer modified binder) for open graded asphalt, and 175°C (bitumen binder) and 185°C (polymer modified binder) for stone mastic asphalt. However, the test temperature used must be aligned with the maximum mix temperature as defined in the relevant asphalt specification.
- 8.2 All equipment including gloves used for holding hot apparatus must be very clean. The sensitivity of the test means that a smear of binder on the beaker can substantially affect the result.
- 8.3 Before handling mineral turpentine, the operator should consult the relevant SDS.

Table 1 – Working tolerances for apparatus

Apparatus	Dimension	Tolerance
Oven		
Test Temperature (°C)	Note 8.1	± 5

Test Method Q311: Voids properties for compacted asphalt

1 Source

This method applies the principles of AS 2891.8: *Voids and volumetric properties of compacted asphalt mixes*. It differs from this Australian Standard in that binder absorption is determined either directly or indirectly from water absorption as well as via calculation from values of aggregate particle density, binder density and asphalt maximum density.

2 Scope

This method describes the procedure for calculation of the voids relationships for a sample of compacted asphalt. It requires prior determination of the compacted density, maximum density and binder content of the sample, the density of the binder and the binder absorption of the aggregate.

3 Procedure

The procedure shall be as follows:

- 3.1 Determine the compacted density of the sample (D_C) in accordance with Test Method Q306B, Q306C, Q306D or Q306E as appropriate, and record the value to the nearest 0.001 t/m^3 .
- 3.2 Determine the maximum density of the sample (D_M) in accordance with Test Method Q307A and record the value to the nearest 0.001 t/m^3 .
- 3.3 Determine the binder content of the sample (B) in accordance with Test Method Q308A or Q308D as appropriate and record the value to the nearest 0.01%.
- 3.4 Determine the density of the binder in the sample (D_B) in accordance with Test Method Q331 and record the value at 25°C to the nearest 0.001 t/m^3 (Note 6.1).
- 3.5 Determine the binder absorption of the aggregate in accordance with either Test Method Q211 or Q316, or using an established binder absorption/water absorption relationship, and record the value to the nearest 0.01% (Notes 6.2, 6.3 and 6.4). Where binder absorption is determined using a binder absorption/water absorption relationship, determine the water absorption of the coarse fraction (retained 4.75 mm) (WA_c) and fine fraction (passing 4.75 mm and retained 0.075 mm) (WA_f) in accordance with Test Methods AS 1141.6.1 and AS 1141.5 respectively, and record these values to the nearest 0.01%.

4 Calculations

- 4.1 Calculate the percentage by volume of air voids in the sample to the nearest 0.1 as follows:

$$AV = 100 \left(1 - \frac{D_C}{D_M} \right)$$

where AV = air voids (%)

D_C = compacted density of the sample (t/m^3)

D_M = maximum density of the sample (t/m^3)

4.2 Calculate the percentage by volume of effective binder in the sample to the nearest 0.1 using the appropriate calculation as follows (Note 6.4):

4.2.1 For binder absorption of the aggregate determined using Test Method Q211 or an established binder absorption/water absorption relationship:

$$V_B = \frac{D_C}{D_B} \left(B - b_a + \frac{B b_a}{100} \right)$$

where V_B = effective binder volume (%)
 D_C = compacted density of the sample (t/m³)
 D_B = density of the binder (t/m³)
 B = binder content of the sample (%)
 b_a = binder absorption of the aggregate (% by mass of aggregate)

4.2.2 For binder absorption of the aggregate determined using Test Method Q316:

$$V_B = \frac{D_C}{D_B} (B - b_m)$$

where V_B = effective binder volume (%)
 D_C = compacted density of the sample (t/m³)
 D_B = density of the binder (t/m³)
 B = binder content of the sample (%)
 b_m = binder absorption of the aggregate (% by mass of mix)

4.3 Calculate the percentage by volume of voids in the mineral aggregate in the sample to the nearest 0.1 as follows:

$$VMA = AV + V_B$$

where VMA = voids in the mineral aggregate (%)
 AV = air voids (%)
 V_B = effective binder volume (%)

4.4 Calculate the percentage by volume of voids filled with binder in the sample to the nearest 0.1 as follows:

$$VFVB = \frac{100V_B}{VMA}$$

where $VFVB$ = voids filled with binder (%)
 V_B = effective binder volume (%)
 VMA = voids in the mineral aggregate (%)

- 4.5 When performing a number of tests on a lot, calculate the maximum and minimum characteristic percentage by volume of air voids as detailed in Test Method Q020.

5 Reporting

Report the following values:

- 5.1 Air voids to the nearest 0.1%.
- 5.2 Voids in the mineral aggregate to the nearest 0.1%.
- 5.3 Voids filled with binder to the nearest 0.5%.
- 5.4 The minimum characteristic percentage by volume of air voids as detailed in Test Method Q020, if required.
- 5.5 The maximum characteristic percentage by volume of air voids as detailed in Test Method Q020, if required.

6 Notes on method

- 6.1 Where the density of the binder is unknown and circumstances do not allow its determination, assume a value of 1.040 t/m³.
- 6.2 Where the binder absorption of the aggregate in the sample is to be obtained using Test Method Q211 but is known from previous determination, further testing in accordance with Q211 is unnecessary.
- 6.3 Where the binder absorption of the aggregate in the sample is to be obtained using an established binder absorption/water absorption relationship, the following calculation may be used:

$$b_a = 0.55WA$$

where b_a = binder absorption of the aggregate (% by mass of aggregate)
 WA = water absorption of the aggregate (%)

WA may be calculated using either of the following that assume the filler component to have an absorption value equivalent to the average of the coarse and fine aggregate absorption values.

- a) Where water absorption values are available for the coarse and fine fractions of the combined aggregate, calculate the water absorption of the aggregate as follows.

$$WA = \frac{P_c WA_c + P_f WA_f}{P_c + P_f}$$

where WA = water absorption of the aggregate (%)
 P_c = proportion of coarse aggregate (%)
 WA_c = water absorption of coarse aggregate (%)
 P_f = proportion of fine aggregate (%)
 WA_f = water absorption of fine aggregate (%)

- b) Where water absorption values are available for the coarse and fine fractions of each individual aggregate component of the combined aggregate, calculate the water absorption as follows:

$$WA = \sum_{i=1}^N P_i WA_i$$

- where
- WA = water absorption of the aggregate (%)
 - P_{filler} = proportion of added filler (%)
 - P_i = proportion of the i^{th} aggregate component in the combined aggregate (%)
 - WA_i = water absorption of i^{th} aggregate component calculated using Test Method AS 1141.6.1 (%)
 - n = number of aggregate components

- 6.4 Where binder absorption of the aggregate is determined using Test Method Q211 or an established binder absorption/water absorption relationship, it is expressed as a percentage by mass of aggregate. To convert from percentage by mass of aggregate to percentage by mass of mix, the following calculation may be used:

$$b_m = b_a - \frac{Bb_a}{100}$$

- where
- b_m = binder absorption of the aggregate (% by mass of mix)
 - b_a = binder absorption of the aggregate (% by mass of aggregate)
 - B = binder content of the sample (%)

Test Method Q315: Sensitivity of asphalt to water

1 Source

This method applies the principles of Austroads Test Method AG:PT/T232: *Stripping potential of asphalt – Tensile strength ratio*.

2 Scope

This method describes the procedure for the determination of the stripping potential of asphalt in the presence of water. The effect of water on the indirect tensile strength of moisture conditioned specimens is expressed as a ratio of the indirect tensile strength determined from dry specimens. It is applicable to asphalt having a nominal size no greater than 20 mm.

3 Apparatus

The following apparatus is required:

- 3.1 Mechanical mixer and accessories to prepare the asphalt in accordance with Test Method AS 2891.2.1.
- 3.2 Compaction equipment required to compact the asphalt specimens in accordance with either Test Method AS 2891.2.2 or Test Method Q305.
- 3.3 Marshall testing machine, breaking head and associated measurement system to load an asphalt specimen at 51 ± 3 mm per minute.
- 3.4 Loading blocks, as described in Test Method AS 2891.13.1.
- 3.5 Balance of suitable capacity, having a resolution of at least 0.1 g and with a limit of performance within the range of ± 0.5 g.
- 3.6 Freezer, maintained at a temperature of $-18 \pm 3^\circ\text{C}$ and of sufficient capacity to contain three test specimens.
- 3.7 Constant temperature environment, a cabinet or room maintained at a temperature of $25 \pm 1^\circ\text{C}$.
- 3.8 Water baths, two baths maintained at temperatures of $25 \pm 1^\circ\text{C}$ and $60 \pm 1^\circ\text{C}$ and of sufficient capacity to contain three test specimens.
- 3.9 Vacuum system, capable of applying a partial vacuum of 13 – 67 kPa absolute pressure.
- 3.10 Vacuum dessicator.
- 3.11 Thermometer, a partial or total immersion thermometer or other suitable temperature measuring device with a temperature range of at least 0 to 40°C and graduated to 1°C or less with an uncertainty of no more than 0.5°C .
- 3.12 Thermometer, a partial or total immersion thermometer or other suitable temperature measuring device with a temperature range of at least -20 to 0°C and graduated to 1°C or less with an uncertainty of no more than 0.5°C .
- 3.13 Callipers.
- 3.14 Measuring cylinder, of 10 mL capacity.

4 Materials

The following materials are required:

- 4.1 Plastic cling wrap, thick leak proof plastic bags and masking tape, suitable for sealing asphalt specimens.
- 4.2 Cloth, a damp cloth which has been soaked in water and then wrung out.

5 Procedure

The procedure shall be as follows:

- 5.1 Obtain an 8 kg sample of either plant production mix sampled as detailed in Test Method Q301, or laboratory manufactured mix prepared using the components and nominated binder content and grading for the mix design in accordance with the procedures described in Test Methods Q309 and AS 2891.2.1.
- 5.2 Prepare six 100 mm diameter compacted specimens to a height of 65 ± 1 mm and an air voids content of $8 \pm 1\%$ using the required mass of laboratory manufactured mix compacted in accordance with Test Method AS 2891.2.2 or Test Method Q305.
- 5.3 Determine the maximum density of the remainder of the laboratory manufactured mix in accordance with Test Method Q307A.
- 5.4 Measure the height (H) and diameter (D) of each specimen using the callipers and record the values to the nearest 1 mm.
- 5.5 Weigh each specimen and record the mass to the nearest 0.1 g (m_1).
- 5.6 Determine the compacted density of each specimen in accordance with Test Method Q306B or Q306C, and record the volume of the specimen (V_d). If Test Method Q306B is used to determine compacted density, the following applies:
 - a) the period of immersion for each specimen shall be 3 to 5 minutes instead of minimum 5 minutes, and
 - b) the three specimens to be tested dry (Step 5.8) shall be allowed to air dry to the original dry mass prior to conditioning in the 25°C constant temperature environment (Step 5.20).
- 5.7 Determine the air voids of each specimen in accordance with Test Method Q311. If the air voids for the compacted specimens falls outside the range of $8 \pm 1\%$, repeat preparation of the mix and use an adjusted number of gyratory cycles or Marshall blows to produce specimens within the required air voids range.
- 5.8 Divide the six specimens into two sets of three specimens such that each set has similar average air voids.
- 5.9 Select one set of three specimens, place the specimens on their sides under water in the vacuum desiccator and record the temperature of the water to the nearest 1°C.
- 5.10 Apply vacuum to partially saturate the specimens to between 55% and 80% saturation (Note 8.1).
- 5.11 Dry each of the three specimens to a surface-dry condition by quickly blotting the surface of the specimen with the damp cloth. The purpose of blotting with the damp cloth is to remove excess water beaded on the surface. It is not intended that water is drawn from the void spaces so the blotting needs to be done lightly and as quickly as possible.

- 5.12 Weigh each of three specimens and record the mass to the nearest 0.1 g (m_2).
- 5.13 Wrap each of the three specimens in several layers of plastic cling wrap.
- 5.14 Place each wrapped specimen into a separate plastic bag containing 10 mL water and seal the bag using masking tape.
- 5.15 Place the plastic bags containing the specimens in the freezer for 18 ± 1 hours, ensuring that the wrapped specimens are not in contact with each other.
- 5.16 Transfer the three specimens from the freezer to the 60°C water bath. As soon as possible after placement in the water bath, remove the plastic bag and wrapping from the specimens, and allow the specimens to soak in the bath for 24 ± 1 hours.
- 5.17 Transfer the three specimens to the 25°C water bath, ensuring they are not in contact and leave them in the bath for 120 ± 5 minutes (Note 8.2).
- 5.18 Remove a specimen from the water bath and immediately test it in accordance with the procedure described in Sections 5 and 6 of Test Method Q305, except that loading blocks shall be used instead of the breaking head. Record the maximum load for each specimen to the nearest 0.1 kN.
- 5.19 Repeat Step 5.18 for the two remaining moisture conditioned specimens.
- 5.20 Condition the remaining set of three dry specimens in the 25°C constant temperature environment for 120 ± 5 minutes (Note 8.3).
- 5.21 Remove a specimen from the constant temperature environment and immediately test it in accordance with the procedure described in Sections 5 and 6 of Test Method Q305, except that loading blocks shall be used instead of the breaking head. Record the maximum load for each specimen to the nearest 0.1 kN.
- 5.22 Repeat Step 5.21 for the two remaining dry specimens.

6 Calculations

Calculations shall be as follows:

- 6.1 Calculate the degree of saturation for each of the three moisture conditioned specimens as follows:

$$SP = \frac{10000(m_2 - m_1)}{AV D_w V_d}$$

- where SP = degree of saturation of partially saturated specimens (%)
- m_2 = mass of partially saturated specimen (g)
- m_1 = mass of dry specimen (g)
- AV = air voids of specimen (%)
- D_w = density of water in the vacuum desiccator (t/m^3) (Table 1)
- V_d = volume of specimen (cm^3)

- 6.2 Calculate the tensile strength for each of the dry and moisture conditioned specimens using as follows:

$$S = \frac{2P10^6}{\pi HD}$$

- where S = tensile strength of specimen (kPa)
 P = maximum load for specimen (kN)
 H = height of specimen (mm)
 D = diameter of specimen (mm)

6.3 Calculate the average tensile strengths for the three soaked specimens (S_w) and for the three dry specimens (S_d) to the nearest 10 kPa.

6.4 Determine the tensile strength ratio as follows:

$$TSR = \frac{100S_w}{S_d}$$

- where TSR = tensile strength ratio (%)
 S_w = average tensile strength of the moisture conditioned specimens (kPa)
 S_d = average tensile strength of the dry specimens (kPa)

7 Reporting

The following shall be reported:

- 7.1 The air voids of each specimen to the nearest 0.1%.
 7.2 The degree of saturation of each partially saturated specimen to the nearest 0.1%.
 7.3 The average tensile strengths for the moisture conditioned specimens and for the dry specimens to the nearest 10 kPa.
 7.4 The tensile strength ratio to the nearest 1%.

8 Notes on method

- 8.1 Partial saturation between 55% and 80% will normally require about 30 seconds under vacuum. A partial vacuum of 13 – 67 kPa absolute pressure is approximately equivalent to a -88 to -34 kPa reading on a vacuum gauge at sea level.
 8.2 To ensure that the conditioning period does not exceed 125 minutes prior to testing (see Steps 5.18 to 5.19), it may be necessary to stagger transfer of the specimens to the water bath.
 8.3 To ensure that the conditioning period does not exceed 125 minutes prior to testing (see Steps 5.21 to 5.22), it may be necessary to stagger transfer of the specimens to the constant temperature environment.

Table 1 - Density of water

Temperature (°C)	Density (t/m ³)	Temperature (°C)	Density (t/m ³)	Temperature (°C)	Density (t/m ³)
0	0.9998	14	0.9992	28	0.9962
1	0.9999	15	0.9991	29	0.9959
2	0.9999	16	0.9989	30	0.9957
3	1.0000	17	0.9988	31	0.9953
4	1.0000	18	0.9986	32	0.9950
5	1.0000	19	0.9984	33	0.9947
6	0.9999	20	0.9982	34	0.9944
7	0.9999	21	0.9980	35	0.9940
8	0.9999	22	0.9978	36	0.9937
9	0.9998	23	0.9975	37	0.9933
10	0.9997	24	0.9973	38	0.9930
11	0.9996	25	0.9970	39	0.9926
12	0.9995	26	0.9968	40	0.9922
13	0.9994	27	0.9965		

Test Method Q316: Binder absorption of asphalt mix components

1 Source

This method is based on the procedure for binder absorption calculation contained within AS 2981.8: *Voids and volumetric properties of compacted asphalt mixes*.

2 Scope

This method sets out a procedure for calculation of the binder absorption within a sample of asphalt mix. It requires prior determination of the binder content, aggregate grading and maximum density of sample, density of binder, particle density on a dry basis of the coarse aggregate and fine aggregate, apparent particle density of the filler and the proportions of coarse aggregate, fine aggregate and filler in the combined aggregate of the sample.

3 Procedure

The procedure shall be as follows:

- 3.1 Determine the total binder content (B) and aggregate grading of the sample of asphalt mix in accordance with Test Method Q308A or Q308D as appropriate and record the binder content value to the nearest 0.01%.
- 3.2 Determine the maximum density of the sample of asphalt mix (D_m) in accordance with Test Method Q307A and record the value to the nearest 0.001 t/m³.
- 3.3 Determine the density of the binder in the sample (D_B) in accordance with Test Method Q331 and record the value at 25°C to the nearest 0.001 t/m³ (Note 6.1).
- 3.4 Determine the particle density on a dry basis of the coarse aggregate (retained 4.75 mm) (ρ_c) in accordance with Test Method AS 1141.6.1 and record the value to the nearest 0.001 t/m³.
- 3.5 Determine the particle density on a dry basis of the fine aggregate (passing 4.75 mm and retained 0.075 mm) (ρ_f) in accordance with Test Method AS 1141.5 and record the value to the nearest 0.001 t/m³.
- 3.6 Determine the apparent particle density of the filler (ρ_{fill}) in accordance with Test Method AS1141.7 and record the value to the nearest 0.001 t/m³.
- 3.7 Determine the proportions of coarse aggregate (retained 4.75 mm) (P_c), fine aggregate (passing 4.75 mm and retained 0.075 mm) (P_f) and filler (P_{fill}) in the combined aggregate and record these values to the nearest 0.1%.

4 Calculations

Calculations shall be as follows:

- 4.1 Calculate the particle density of the combined mineral aggregate to the nearest 0.001 t/m³ as follows:

$$\rho_a = \frac{100}{\frac{P_c}{\rho_c} + \frac{P_f}{\rho_f} + \frac{P_{fill}}{\rho_{fill}}}$$

- where
- ρ_a = particle density of combined aggregate (t/m³)
 - P_c = proportion of coarse aggregate (%)
 - ρ_c = particle density of coarse aggregate on a dry basis (t/m³)
 - P_f = proportion of fine aggregate (%)
 - ρ_f = particle density of fine aggregate on a dry basis (t/m³)
 - P_{fill} = proportion of filler (%)
 - ρ_{fill} = apparent particle density of filler (t/m³)

- 4.2 Calculate the binder absorption of the aggregate in the sample to the nearest 0.01% as follows:

$$b_m = B - D_B \left(\frac{100}{D_m} - \frac{(100-B)}{\rho_a} \right)$$

- where
- b_m = binder absorption of the aggregate (% by mass of mix)
 - B = binder content of the sample (%)
 - D_B = density of the binder (t/m³)
 - D_m = maximum density of the sample (t/m³)
 - ρ_a = particle density of combined aggregate (t/m³)

5 Reporting

Report binder absorption to the nearest 0.05%.

6 Notes on method

- 6.1 Where the density of the binder is unknown and circumstances do not allow its determination, assume a value of 1.040 t/m³.

Test Method Q317: Binder film index of asphalt

1 Source

This method applies the principles of Austroads Test Method AG PT/T237: *Binder film index*.

2 Scope

This method sets out a procedure for calculation of the binder film index of a sample of asphalt. It requires prior determination of the binder content and aggregate grading of the sample, density of the binder, binder absorption of the aggregate, particle density on a dry basis of the coarse aggregate and fine aggregate, apparent particle density of the filler and the proportions of coarse aggregate, fine aggregate and filler in the combined aggregate of the sample.

3 Procedure

The procedure shall be as follows:

- 3.1 Determine the particle density on a dry basis of the coarse aggregate (retained 4.75 mm) (ρ_c) in accordance with Test Method AS 1141.6.1.
- 3.2 Determine the particle density on a dry basis of the fine aggregate (passing 4.75 mm and retained 0.075 mm) (ρ_f) in accordance with Test Method AS 1141.5.
- 3.3 Determine the apparent particle density of the filler (passing 0.075 mm) (ρ_{fill}) in accordance with Test Method AS 1141.7 and record the value to the nearest 0.001 t/m³.
- 3.4 Determine the proportions of coarse aggregate (retained 4.75 mm) (P_c), fine aggregate (passing 4.75 mm and retained 0.075 mm) (P_f) and filler (passing 0.075 mm) (P_{fill}) in the combined mineral aggregate and record these values to the nearest 0.1%.
- 3.5 Determine the binder content and aggregate grading of the asphalt sample in accordance with Test Method Q308A or Q308D as appropriate and record the binder content value to the nearest 0.01%.
- 3.6 Determine the binder absorption of the aggregate either in accordance with Test Method Q211 or Q316, or using an established binder absorption/water absorption relationship, and record the value to the nearest 0.01% (Notes 6.1, 6.2 and 6.3). Where binder absorption is determined using a binder absorption/water absorption relationship, determine the water absorption of the coarse fraction (retained 4.75 mm) (WA_c) and fine fraction (passing 4.75 mm and retained 0.075 mm) (WA_f) in accordance with Test Methods AS 1141.6.1 and AS 1141.5 respectively, and record these values to the nearest 0.01%.
- 3.7 Determine the density of the binder in the sample (D_B) in accordance with Test Method Q331 and record the value at 25°C to the nearest 0.001 t/m³ (Note 6.4).

4 Calculations

Calculations shall be as follows:

4.1 Calculate the particle density of the combined aggregate to the nearest 0.001 t/m³ as follows:

$$\rho_a = \frac{100}{\frac{P_c}{\rho_c} + \frac{P_f}{\rho_f} + \frac{P_{fill}}{\rho_{fill}}}$$

- where ρ_a = particle density of combined aggregate (t/m³)
 P_c = proportion of coarse aggregate (%)
 ρ_c = particle density of coarse aggregate on a dry basis (t/m³)
 P_f = proportion of fine aggregate (%)
 ρ_f = particle density of fine aggregate on a dry basis (t/m³)
 P_{fill} = proportion of filler (%)
 ρ_{fill} = apparent particle density of filler (t/m³)

4.2 Calculate the surface area factor for the combined aggregate as follows:

$$A = 0.20482(2 + 0.02a + 0.04b + 0.08c + 0.14d + 0.30e + 0.60f + 1.60g)$$

- where A = surface area factor
 a = proportion passing 4.75 mm (%)
 b = proportion passing 2.36 mm (%)
 c = proportion passing 1.18 mm (%)
 d = proportion passing 0.600 mm (%)
 e = proportion passing 0.300 mm (%)
 f = proportion passing 0.150 mm (%)
 g = proportion passing 0.075 mm (%)

4.3 Calculate the effective binder content of the sample to the nearest 0.01% as follows:

$$B_e = B - b_m$$

- where B_e = effective binder content of the sample (%)
 B = binder content of the sample (%)
 b_m = binder absorption of the aggregate (% by mass of mix)

4.4 Calculate the binder film index of the sample to the nearest 0.1 as follows:

$$T_F = \frac{\rho_a B_e 10^3}{2.65 D_B (100 - B) A}$$

- where T_F = binder film index

ρ_a	=	particle density of combined aggregate (t/m ³)
B_e	=	effective binder content of the sample (%)
B	=	binder content of the sample (%)
D_B	=	density of the binder (t/m ³)
A	=	surface area factor for the combined aggregate

5 Reporting

Report binder film index to the nearest 0.1.

6 Notes on method

6.1 Where the binder absorption of the aggregate in the sample is to be obtained using Test Method Q211 but is known from previous determination, further testing in accordance with Q211 is unnecessary.

6.2 Where the binder absorption of the aggregate in the sample is to be obtained using an established binder absorption/water absorption relationship, the following calculation may be used. This assumes the filler component to have an absorption value equivalent to the average of the coarse and fine aggregate absorption values.

$$b_a = \frac{0.55(P_c WA_c + P_f WA_f)}{(P_c + P_f)}$$

where b_a = binder absorption of the aggregate (% by mass of aggregate)

P_c = proportion of coarse aggregate (%)

WA_c = water absorption of coarse aggregate (%)

P_f = proportion of fine aggregate (%)

WA_f = water absorption of fine aggregate (%)

6.3 Where binder absorption of the aggregate is determined using Test Method Q211 or an established binder absorption/water absorption relationship, it is expressed as a percentage by mass of aggregate. To convert from percentage by mass of aggregate to percentage by mass of mix, the following calculation may be used:

$$b_m = b_a - \frac{Bb_a}{100}$$

where b_m = binder absorption of the aggregate (% by mass of mix)

b_a = binder absorption of the aggregate (% by mass of aggregate)

B = binder content of the sample (%)

6.4 Where the density of the binder is unknown and circumstances do not allow its determination, a value of 1.040 t/m³ may be assumed.

Test Method Q318: Mix volume ratio of stone mastic asphalt

1 Source

This method was developed in-house using information contained within technical references.

2 Scope

This method describes the procedure for calculation of the mix volume ratio for SM14 and SM10 stone mastic asphalt. This ratio is defined as the volume of the components other than the coarse aggregate within a compacted mix expressed as a proportion of the volume of air voids contained within the coarse aggregate in a dry rodded condition. The coarse aggregate is defined as the fraction retained 4.75 mm for SM14 mix, and 2.36 mm for SM10 mix. The method requires determination of the binder content and grading of the mix, the particle density on a dry basis of the coarse aggregate, the compacted unit mass of the coarse aggregate and the compacted density of the mix.

3 Procedure

The procedure shall be as follows:

- 3.1 Determine the total binder content (B) and aggregate grading of the mix in accordance with Test Method Q308A or Q308D as appropriate. Record the proportion of coarse aggregate in the total aggregate (P_c) to the nearest 0.1%.
- 3.2 Determine the particle density on a dry basis of the coarse aggregate (ρ_D) in accordance with Test Method AS 1141.6.1.
- 3.3 Determine the average compacted bulk density of the coarse aggregate (ρ_C) in accordance with Test Method AS 1141.4 with the exception that the test shall be performed in triplicate and the average compacted bulk density shall be recorded to the nearest 0.001 t/m^3 .
- 3.4 Determine the compacted density of the mix (D_C) in accordance with Test Method Q306C and record the value to the nearest 0.001 t/m^3 .

4 Calculations

Calculations shall be as follows:

- 4.1 Calculate the volume of coarse aggregate in the mix to the nearest 0.1% using as follows:

$$V_c = \frac{P_c D_C (100 - B)}{100 \rho_D}$$

where	V_c	=	volume of coarse aggregate in the mix (%)
	P_c	=	proportion of coarse aggregate in the total aggregate (%)
	D_C	=	compacted density of the mix (t/m^3)
	B	=	total binder content of the mix (%)
	ρ_D	=	particle density on a dry basis of the coarse aggregate (t/m^3)

- 4.2 Calculate the void volume in the compacted coarse aggregate to the nearest 0.1% using as follows:

$$V_v = 100 \left(1 - \frac{\rho_c}{\rho_D} \right)$$

- where V_v = void volume in the compacted coarse aggregate in the dry rodded condition (%)
 ρ_c = average compacted bulk density of the coarse aggregate (t/m^3)
 ρ_D = particle density on a dry basis of the coarse aggregate (t/m^3)

- 4.3 Calculate the mix volume ratio for the mix to the nearest 0.01 as follows:

$$MVR = \frac{100 - V_c}{V_v}$$

- where MVR = mix volume ratio
 V_c = volume of coarse aggregate in the mix (%)
 V_v = void volume in the compacted coarse aggregate (%)

5 Reporting

Report the mix volume ratio to the nearest 0.01.

Test Method Q321: Fixed and free binder in asphalt

1 Source

This method was developed in-house using measures evolved through internal departmental research investigations.

2 Scope

This method sets out a procedure for calculation of the fixed and free binder in a sample of asphalt. Fixed binder represents that portion of the binder that is immobilised by the filler. Free binder represents that portion of the binder that is neither absorbed by the aggregate nor immobilised by the filler. Prior determination is required of the binder content and compacted density of the sample, density of the binder, binder absorption of the aggregate, apparent particle density and voids of the combined filler, and the proportion of combined filler in the sample.

3 Procedure

The procedure shall be as follows:

- 3.1 Determine the binder content of the sample (B) in accordance with Test Method Q308A or Q308D as appropriate and record the value to the nearest 0.01%.
- 3.2 Determine the binder absorption of the aggregate either in accordance with Test Method Q211 or Q316, or using an established binder absorption/water absorption relationship, and record the value to the nearest 0.01% (Notes 6.1, 6.2 and 6.3). Where binder absorption is determined using a binder absorption/water absorption relationship, determine the water absorption of the coarse fraction (retained 4.75 mm) (WA_c) and fine fraction (passing 4.75 mm and retained 0.075 mm) (WA_f) in accordance with Test Methods AS 1141.6.1 and AS 1141.5 respectively, and record these values to the nearest 0.01%.
- 3.3 Determine the density of the binder in the sample (D_B) in accordance with Test Method Q331 and record the value at 25°C to the nearest 0.001 t/m³ (Note 6.4).
- 3.4 Determine the compacted density of the sample (D_c) in accordance with Test Method Q306B or Q306C as appropriate and record the value to the nearest 0.001 t/m³.
- 3.5 Determine the proportion of the combined filler (P_{fill}) as a percentage of the total aggregate and filler in the sample and record the value to the nearest 0.1%.
- 3.6 Determine the apparent particle density of the combined filler (ρ_{fill}) in accordance with Test Method AS 1141.7 and record the value to the nearest 0.001 t/m³.
- 3.7 Determine the voids in dry compacted filler for the combined filler (V) in accordance with Test Method AS 1141.17 and record the value to the nearest 0.1%.

4 Calculations

Calculations shall be as follows:

4.1 Calculate the effective binder volume in the sample to the nearest 0.1% as follows:

$$V_B = \frac{D_C}{D_B} (B - b_m)$$

- where V_B = effective binder volume (% by volume of mix)
 D_C = compacted density (t/m³)
 D_B = density of the binder (t/m³)
 B = binder content (% by mass of mix)
 b_m = binder absorption of the aggregate (% by mass of mix) (Note 6.3)

4.2 Calculate the fixed binder volume in the sample to the nearest 0.1% as follows:

$$V_f = \frac{P_{fill} V D_C}{\rho_{fill} (100 - V) 100} (100 - B)$$

- where V_f = fixed binder volume (% by volume of mix)
 P_{fill} = proportion of the combined filler (% by mass of aggregate and filler)
 V = voids in dry compacted filler (%)
 D_C = compacted density (t/m³)
 ρ_{fill} = apparent particle density of the combined filler (t/m³)
 B = binder content (% by mass of mix)

4.3 Calculate the fixed binder fraction in the sample to the nearest 0.01 as follows:

$$f_B = \frac{V_f}{V_B}$$

- where f_B = fixed binder fraction
 V_f = fixed binder volume (% by volume of mix)
 V_B = effective binder volume (% by volume of mix)

4.4 Calculate the free binder volume in the sample to the nearest 0.1% as follows:

$$V_F = V_B - V_f$$

- where V_F = free binder volume (% by volume of mix)
 V_B = effective binder volume (% by volume of mix)
 V_f = fixed binder volume (% by volume of mix)

4.5 Calculate the free binder fraction in the sample to the nearest 0.01 as follows:

$$F_B = \frac{V_F}{V_B}$$

- where F_B = free binder fraction
 V_F = free binder volume (% by volume of mix)
 V_B = effective binder volume (% by volume of mix)

5 Reporting

The following shall be reported:

- 5.1 Effective binder volume to the nearest 0.1%.
- 5.2 Free binder volume to the nearest 0.1%.
- 5.3 Fixed binder fraction to the nearest 0.01.
- 5.4 Fixed binder volume to the nearest 0.1% (where required).
- 5.5 Free binder fraction to the nearest 0.01 (where required).

6 Notes on method

- 6.1 Where the binder absorption of the aggregate in the sample is to be obtained using Test Method Q211 but is known from previous determination, further testing in accordance with Q211 is unnecessary.
- 6.2 Where the binder absorption of the aggregate in the sample is to be obtained using an established binder absorption/water absorption relationship, the following calculation may be used:

$$b_a = 0.55WA$$

- where b_a = binder absorption of the aggregate (% by mass of aggregate)
 WA = water absorption of the aggregate (%)

WA may be calculated using either of the following which assume the filler component to have an absorption value equivalent to the average of the coarse and fine aggregate absorption values.

- a) Where water absorption values are available for the coarse and fine fractions of the combined aggregate, calculate the water absorption of the aggregate as follows:

$$WA = \frac{P_c WA_c + P_f WA_f}{P_c + P_f}$$

- where WA = water absorption of the aggregate (%)
 P_c = proportion of coarse aggregate (%)
 WA_c = water absorption of coarse aggregate (%)

- P_f = proportion of fine aggregate (%)
 WA_f = water absorption of fine aggregate (%)

b) Where water absorption values are available for the coarse and fine fractions of each individual aggregate component of the combined aggregate, calculate the water absorption as follows:

$$WA = \sum_{i=1}^n P_i WA_i$$

- where WA = water absorption of the aggregate (%)
 P_i = proportion of the i^{th} aggregate component in the combined aggregate (%)
 WA_i = water absorption of i^{th} aggregate component calculated using Test Method AS 1141.6.1(%)
 n = number of aggregate components

6.3 Where binder absorption of the aggregate is determined using Test Method Q211 or an established binder absorption/water absorption relationship, it is expressed as a percentage by mass of aggregate. To convert from percentage by mass of aggregate to percentage by mass of mix, the following calculation may be used:

$$b_m = b_a - \frac{Bb_a}{100}$$

- where b_m = binder absorption of the aggregate (% by mass of mix)
 b_a = binder absorption of the aggregate (% by mass of aggregate)
 B = binder content of the sample (%)

6.4 Where the density of the binder is unknown and circumstances do not allow its determination, a value of 1.040 t/m³ may be assumed.

Test Method Q322: Gyrotory compaction curve of asphalt

1 Source

This method is based on AS 2891.2.2: *Sample preparation - Compaction of asphalt test specimens using a gyrotory compactor*. It differs from this Australian Standard in that it specifies a set number of compaction cycles and includes some apparatus and procedural variations.

2 Scope

This method sets out the procedure for determining the compaction curve relating specimen height and number of compaction cycles for mixes compacted with a gyrotory compactor. It is applicable to asphalt mixes not exceeding 20 mm nominal size.

3 Apparatus

Where appropriate, the working tolerances of particular apparatus are contained in Table 1.

The following apparatus is required:

- 3.1 Gyrotory compactor, capable of applying a vertical loading stress of 240 kPa to a test specimen in a mould at a rate of 60 rpm and at a fixed angle of 2° measured at the centre of the height of the mould. The compactor shall be fitted with the means for providing a continuous readout of test specimen height with the number of compaction cycles.
- 3.2 Specimen mould assembly, as described in AS 2891.2.2 for 100 mm diameter test specimens.
- 3.3 Wearing discs, steel discs of diameter 99.8 mm and thickness of 0.9 mm.
- 3.4 Specimen extractor, of suitable design to enable the removal of the test specimen intact from the mould.
- 3.5 Oven, thermostatically controlled at a temperature of 150°C.
- 3.6 Balance of a suitable capacity, having a resolution of at least 0.1 g and with a limit of performance within the range of ± 0.5 g.
- 3.7 Thermometer, a partial immersion thermometer or other suitable temperature measuring device having a temperature range which includes 150°C, and graduated to 1°C or less with an uncertainty of no more than 0.5°C.
- 3.8 Assorted mixing and handling apparatus, such as steel trays, trowels, spatulas and scoops.

4 Materials

The following materials are required:

- 4.1 Paper discs, having a diameter of about 100 mm.
- 4.2 Lubricant, suitable light oil for lubricating the paper discs (Note 8.1).

5 Compaction procedure

The procedure shall be as follows:

- 5.1 Place the specimen mould assembly in the oven for a period of at least 1 hour.
- 5.2 Remove the mould assembly from the oven and position a lubricated paper disc on the lower wearing disc in the mould.

- 5.3 Transfer about 1250 g mix into the mould and return the mould assembly to the oven for 60 ± 10 minutes.
- 5.4 Remove the mould assembly from the oven, place a thermometer in the mix and measure the temperature. Provided the temperature is within $150 \pm 3^\circ\text{C}$, level the mix in the mould and place a lubricated paper disc on the mix surface (Note 8.2).
- 5.5 Place the upper wearing disc and top platen on the mix in the mould, position the mould assembly in the gyrotory compactor and lock the mould assembly in place.
- 5.6 Compact the mix in the mould assembly with 350 cycles of gyrotory compaction, providing a continuous plot of specimen height against number of cycles.
- 5.7 Remove the mould assembly from the gyrotory compactor and take off the upper platen.
- 5.8 Allow the mould to cool sufficiently in air and then remove the test specimen from the mould using the specimen extractor, while ensuring the test specimen remains intact and shows no deformation.
- 5.9 Prepare a further three test specimens using the procedure of Steps 5.1 to 5.8.
- 5.10 Where the air voids of the mix at 350 cycles is required, determine the following:
 - 5.10.1 The compacted density of each of the test specimens compacted to 350 cycles in accordance with Test Method Q306C.
 - 5.10.2 The maximum density of the mix in accordance with Test Method Q307A.

6 Calculations

Where required, calculate the following:

- 6.1 The air voids at 350 cycles for each test specimen to the nearest 0.01% in accordance with Test Method Q311 using the compacted density and maximum density values determined in Step 5.10.
- 6.2 The compacted density at a specified number of cycles for each test specimen to the nearest 0.001 t/m^3 as follows:

$$D_{\text{CN}} = \frac{D_{\text{C350}} H_{\text{350}}}{H_{\text{N}}}$$

- where
- D_{CN} = compacted density of the test specimen at the specified number of cycles (t/m^3)
 - D_{C350} = compacted density of the test specimen at 350 cycles (t/m^3)
 - H_{350} = height of the test specimen at 350 cycles (mm)
 - H_{N} = height of the test specimen at the specified number of cycles (mm)

- 6.3 The air voids at the specified number of cycles for each test specimen to the nearest 0.01% in accordance with Test Method Q311, using the compacted density determined in Step 6.2 and the maximum density determined in Step 5.10.2.
- 6.4 The air voids at 350 cycles for the mix to the nearest 0.1% as the average of the air voids results determined in Step 6.1.
- 6.5 The air voids at the specified number of cycles for the mix to the nearest 0.1% as the average of the air voids results determined in Step 6.3.

7 Reporting

The following shall be reported:

- 7.1 The compaction curves of the four test specimens showing the relationship between test specimen height and the number of compaction cycles.
- 7.2 Where required, the air voids at 350 cycles for the mix to the nearest 0.1%.
- 7.3 Where required, the air voids at the specified number of cycles for the mix to the nearest 0.1%.

8 Notes on method

- 8.1 Before handling the oil, the operator should consult the relevant SDS.
- 8.2 If the temperature of the mix falls below the compaction temperature range, the mix may be reheated. This will involve returning the mould assembly containing the mix to the oven until it reaches oven temperature and then repeating Step 5.4.

Table 1 – Specifications and working tolerances of apparatus

Item	Unit	Value	Working tolerance
Gyratory compactor			
Gyrator angle	degrees	2	± 0.1
Load application rate	rpm	60	± 5
Vertical loading stress	kPa	240	± 10
Wearing disc			
Diameter	mm	99.8	± 0.1

Test Method Q323: Equivalent compaction temperature for warm mix asphalt

1 Source

This method is based on the procedure outlined in *Warm mix asphalts: tips and tricks developed by professionals for professionals* (German Asphalt Paving Association (DAV) 2009). It also makes reference to Australian Standard Test Methods AS 2891.2.2 and AS 2891.9.2, and Transport and Main Roads Test Methods Q305, Q306B and Q306C.

2 Scope

This method sets out the procedure for determining the equivalent compaction temperature for WMA, by means of comparing and matching the compacted densities of HMA mix prepared with and without the WMA technology. The method requires prior preparation of sufficient quantities of WMA mix (HMA with the WMA technology) and HMA mix (reference mix). It allows test specimens to be compacted using either gyratory or Marshall compaction.

3 Apparatus

3.1 The equipment required for this test method is listed in the following references:

- a) Q305 - Stability, flow and stiffness of asphalt - Marshall
- b) Q306B - Compacted density of dense graded asphalt - presaturation
- c) Q306C - Compacted density of asphalt - silicone sealed
- d) AS 2891.2.2 - Methods of sampling and testing asphalt - Sample preparation - Compaction of asphalt test specimens using a gyratory compactor, and
- e) AS 2891.9.2 - Methods of sampling and testing asphalt - Determination of bulk density of compacted asphalt - Presaturation method

4 Procedure

The procedure shall be as follows:

4.1 Compaction method

Select either the gyratory compaction method (AS 2891.2.2) or the Marshall compaction method (Q305) as appropriate.

4.2 Specimen preparation

4.2.1 Reference mix specimens

From the sample of HMA mix, compact at least three reference mix specimens in accordance with the relevant method (AS 2891.2.2 or Q305) at the standard compaction temperature appropriate for the HMA mix design (for example, $150 \pm 3^\circ\text{C}$ for mix containing C320 bitumen).

4.2.2 WMA specimens

From the sample of WMA mix, compact at least three WMA specimens at each of several compaction temperatures (for example, 110, 120, 130, 140 and $150 \pm 3^\circ\text{C}$) in accordance with the relevant method (AS 2891.2.2 or Q305).

4.3 Compacted density measurement of specimens

4.3.1 Reference mix specimens:

- a) Determine the compacted density to the nearest 0.001 t/m^3 of each specimen prepared in Subsection 4.2.1, in accordance with Test Method AS 2891.9.2, Q306B or Q306C.
- b) Calculate the average compacted density for the reference mix specimens to the nearest 0.001 t/m^3 and record this as the mix reference density.

4.3.2 WMA specimens

- a) Determine the compacted density to the nearest 0.001 t/m^3 of each specimen prepared in Subsection 4.2.2, in accordance with Test Method AS 2891.9.2, Q306B or Q306C.
- b) For each set of WMA specimens prepared at each compaction temperature, calculate the average compacted density to the nearest 0.001 t/m^3 .

4.4 Equivalent compaction temperature for WMA

- 4.4.1 Plot the average compacted density results of the WMA specimens determined in Subsection 4.3.2(b) against the corresponding compaction temperatures to create a compacted density-temperature curve for WMA, similar to that shown in Figure 1.
- 4.4.2 Add the average compacted density of reference mix specimens data point determined in Subsection 4.3.1 (b) to the same graph.
- 4.4.3 As illustrated in Figure 1, determine the temperature corresponding to this reference mix density on the density-temperature curve for WMA. Record this temperature as the calculated equivalent compaction temperature for WMA.

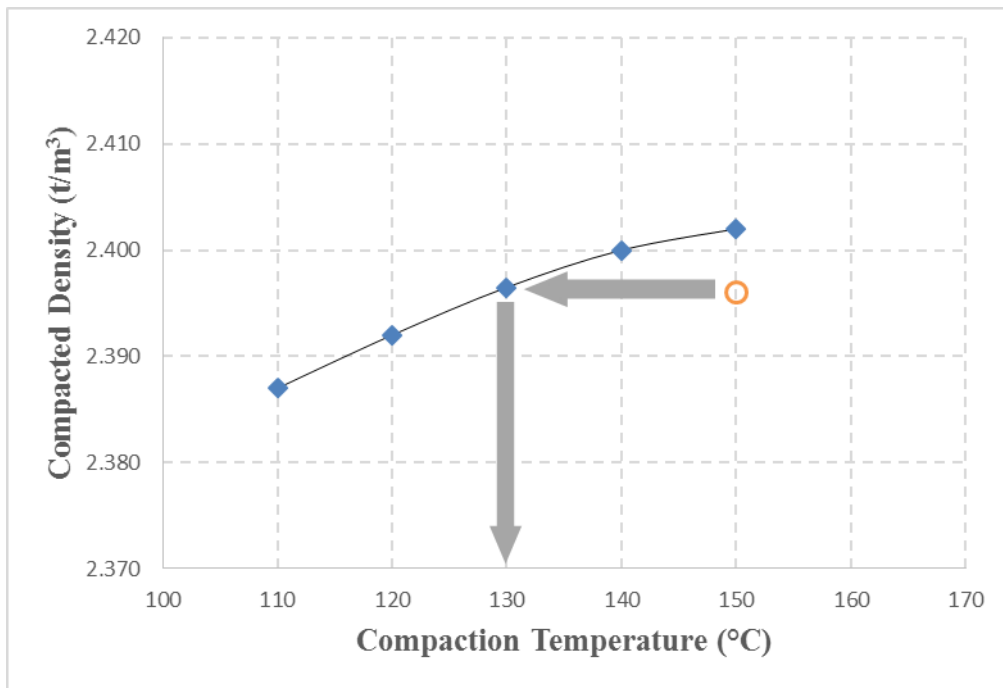
4.5 Validation of calculated equivalent compaction temperature

- 4.5.1 Compact at least three WMA specimens at the calculated equivalent compaction temperature in accordance with the relevant method (AS 2891.2.2 or Q305).
- 4.5.2 Determine the compacted density to the nearest 0.001 t/m^3 of each of the validation specimens in accordance with Test Method AS 2891.9.2, Q306B or Q306C.
- 4.5.3 Calculate the average compacted density for the validation specimens to the nearest 0.001 t/m^3 and record this as the mix validation density.
- 4.5.4 If the difference between the mix validation density and the mix reference density is $\leq 0.3\%$ of the mix reference density, accept the calculated equivalent compaction temperature as being validated.
- 4.5.5 If the difference between the mix validation density and the mix reference density is $> 0.3\%$ of the mix reference density, repeat the procedure.

5 Reporting

Report the validated equivalent compaction temperature for the WMA to the nearest 5°C .

Figure 1 - Compacted density versus compaction temperature



Test Method Q324: Rapid drying of compacted asphalt specimens - vacuum

1 Source

This method is based on ASTM D7227: *Standard practice for rapid drying of compacted asphalt specimens using vacuum drying apparatus.*

2 Scope

This method describes a procedure for drying compacted asphalt specimens using a vacuum drying apparatus. It is applicable to a range of laboratory compacted and field specimens including cylindrical, slab and prism specimens.

3 Apparatus

The following apparatus is required:

- 3.1 Absorptive cloth for drying the surface of the specimens.
- 3.2 Vacuum apparatus meeting the following requirements:
 - a) chamber of suitable capacity for asphalt specimens. With a vacuum pump capable of evacuating the chamber and maintaining a pressure of 6 Torr or less. With automatic vacuum, airflow and temperature control features to ensure drying of the specimens at close to room temperatures (Note 5.1).
 - b) water removable plate, used for removing free water from the bottom of the vacuum chamber, and
 - c) electronic cold trap with an airflow divider, used for trapping water before it enters the vacuum pump.
- 3.3 Balance, a top pan balance of suitable capacity, with a resolution of at least 0.1 g and with a limit of performance within the range of ± 0.5 g.
- 3.4 Thermometer, an infra-red having a temperature range which includes the range of 15-30 °C and graduated to 1°C or less with an uncertainty of no more than 0.5°C.

4 Procedure

The procedure shall be as follows:

4.1 Checking vacuum apparatus

- 4.1.1 Follow the manufacturer's recommendations for warm-up and self-test procedures.
- 4.1.2 Using an absorptive cloth dry the cold trap and specimen chamber.
- 4.1.3 Operate the unit without any specimens and check the pressure reading on the display is 6 Torr or less. If the indicated pressure is higher than 6 Torr, check the system for oil level and quality, seals or water in the chamber.

4.2 Drying specimens

- 4.2.1 Using the infra-red thermometer check the specimen temperature is in the range of 15 - 30°C. If not place the specimens in a room temperature environment until the surface temperature lies within the range of 15 - 30°C.
- 4.2.2 Using an absorptive cloth remove any excess water from the surface of the specimen.

- 4.2.3 Determine the wet mass of the specimen (m_1).
- 4.2.4 Place the specimen on top of a specimen support plate, or on a mesh shelf within the chamber.
- 4.2.5 Close the vacuum chamber and using the controls start the drying process.
- 4.2.6 Remove the specimen from the vacuum chamber and determine the dry mass of the specimen (m_2).
- 4.2.7 Return the specimen to the vacuum chamber and dry for at least another 15 minutes.
- 4.2.8 Repeat Steps 4.2.5 to 4.2.7 until such time that the specimen has reached constant mass (Notes 5.2 and 5.3).
- 4.2.9 At the completion of the drying process, remove the cold trap lid and the airflow divider plate and wipe out any free standing water in the cold trap.

5 Notes on method

- 5.1 Since the specimen cools during the evaporation process, making water harder to evaporate at low temperature, it is important to have suitable temperature controls in the chamber to ensure the specimen remains at close to room temperature. Automatic controls within the unit allow the specimen to remain at close to room temperature by periodically allowing a flow of warm air to enter the vacuum chamber. Cycling between vacuum and airflow conditions allows the specimen to dry in a short period of time. Completely saturated specimens can be dried in about 30 minutes. The typical cycling times are 30 to 180 seconds of vacuum operation followed by 30 to 120 seconds of airflow.
- 5.2 A sample is considered to have reached a constant mass when the difference between successive weighings, after a further 15 minutes vacuum drying, is not more than 0.03 percent.
- 5.3 Some vacuum apparatus are factory calibrated to sense a "dry specimen condition". For these apparatus Steps 4.2.7 and 4.2.8 may be omitted provided the manufacturers procedure for determining and checking the dry specimen condition is followed.

Test Method Q325: Stability of asphalt – Hamburg wheel tracking device (HWTD)

1 Source

This method applies the principles of AASHTO T324 – *Hamburg Wheel-Track Testing of Compacted Hot Mix Asphalt (HMA)*.

2 Scope

This method describes the procedure for determining the stability of asphalt mixes under loading while submerged in water. It involves monitoring the deformation (rutting) that occurs in an asphalt sample undergoing wheel tracking motion with loaded steel wheels. The method is applicable to asphalt mix either manufactured in the laboratory or sampled from an existing asphalt pavement, and can be performed using asphalt slabs, cores or laboratory manufactured specimens.

The test is used to determine the susceptibility to failure by means of moisture damage, poor binder properties or structural weakness of the sample in the presence of high temperatures and/or water.

3 Apparatus

The following apparatus is required:

3.1 Wheel Tracker, Hamburg Wheel Tracking Device comprising the following:

- a) loaded wheel mechanism, consisting of a single or dual steel wheel of diameter 203 mm and width 47 mm. Including a means of loading the wheel so that an applied force of 705 ± 4.5 N is central and normal to the top surface of the test specimen
- b) the wheel making 52 ± 2 passes (26 ± 1 cycles) across the specimen per minute, travelling across at least the central 230 mm of the sample
- c) test base that should accommodate the fitting of mounting systems up to 400 mm in length and 300 mm in width. There should be (at least) the capabilities to cater for samples from 50 mm to 100 mm in thickness
- d) rut depth measurement device, an electronic displacement measuring device, preferably a LVDT having a minimum travel of 20 mm and a limit of performance within the range of ± 0.15 mm
- e) a means for continuously recording rut depth measurements at progressive numbers of wheel tracker cycles – at least every 100 cycles with more regular readings in the first 100 cycles (for example, at 1, 2, 3, 4, 5, 6, 7, 8, 9, 10, 20, 30, 40, 50, 60, 70, 80, 90, 100, 200, 300 and so on cycles)
- f) water bath, a water bath controlled to within $\pm 1^\circ\text{C}$ of the test temperature. Fitted with an overflow device and of sufficient capacity to contain a test specimen with the water level a minimum of 20 mm above it
- g) a mounting system that allows rigid fixing of either moulds containing asphalt slabs, laboratory prepared specimens or cores to the device, and
- h) core test moulds (Figure 1) consist of the following, metal moulds with internal dimensions of 360 mm by 300 mm. In addition to the metal mould are moulds that consist of a high-density polymer or plastic material that snugly fits into the metal mould does not allow for shifting of the specimen during testing. The mould should be able to accommodate two core or Servopac specimens of 150 mm diameter and thickness of

50–100 mm, with the edge of each specimen cut such that the moulds are flush against each other.

- 3.2 Segmental wheel compactor, capable of:
- a) Applying a loading of 1000 to 30 000 N to within 500 N. The compaction device is in the form of a freely rotating wheel segment of diameter 1200 ± 200 mm. The foot of the compaction device having an arc length of 400 mm and a width of 300 mm. The compaction foot able to be moved vertically and set to a specified height above the base of the compaction mould. With an option of vibratory compaction and of sufficient rigidity that it will not deform under load over the operating range (Note 9.1).
 - b) Compaction table, having an oscillating speed of between 10 and 25 oscillations per minute, and sufficient travel to ensure even compaction of the asphalt in the mould. With provision to firmly attach the compaction mould.
 - c) Compaction moulds, metal moulds of internal dimensions 400 mm length, 300 mm width and of sufficient depth to accommodate the slab specimen mix prior to compaction. To achieve sufficient depth it is allowable to fix a collar to the top of the mould during compaction.
- 3.3 Lifting device, to move a compaction mould (with or without mix) to and from the compaction table or Wheel Tracking Device.
- 3.4 Ovens, for heating asphalt and binder, maintained to within $\pm 3^{\circ}\text{C}$ of the design mix temperature to allow for attainment of target compaction density.
- 3.5 Balance of suitable capacity, with a resolution of at least 1 g and with a limit of performance of ± 5 g and capable of below balance weighing for slab specimens.
- 3.6 Balance of suitable capacity, with a resolution of at least 0.1 g and with a limit of performance of ± 0.5 g and capable of below balance weighing for core or Servopac specimens.
- 3.7 Servopac gyratory compactor, capable of compacting cylindrical pat specimens of 150 mm diameter to a pre-determined thickness and density.
- 3.8 Saw, diamond tipped masonry saw for cutting samples to size (if required).
- 3.9 Laboratory tools for specimen preparation, a ruler to measure specimens, a marking medium to identify specimens and a digital camera to document samples before and after testing.
- 3.10 Straight edge for striking off plaster.

4 Materials

The following materials are required:

- 4.1 Sealant, acetic cure silicone sealant of known density to the nearest 0.001 t/m^3 (Note 9.2).
- 4.2 Silicone grease (Note 9.2).
- 4.3 Regulation course material, a mixture of Plaster of Paris and fine sand (Note 9.2).
- a) for application to the base of the test specimen, a homogeneous mixture by volume of 5 parts of Plaster of Paris, 5 parts fine sand and 3.5 parts potable water, and
 - b) to fill the gap between the test specimen and the sides of the mould, a homogeneous mixture by volume of 5 parts of Plaster of Paris, 5 parts fine sand and 7 parts potable water.
- 4.4 Potable water.

5 Preparation

The test specimens shall be prepared as follows:

5.1 Each test with a dual-wheel Hamburg device requires two slab specimens or four core/ pat specimens (arranged in two sets of two cores in core mould). Samples can either be manufactured in the laboratory or sampled from a pavement. For each sample:

5.1.1 Determine the bulk density of the specimens as detailed in Test Method AS 2891.9.2.

5.1.2 For laboratory manufactured specimens determine the maximum density of the asphalt mix as detailed in Test Method AS 2891.7.1 (Note 9.2)

5.1.3 Determine the air void content of the specimens as detailed in Test Method AS 2891.8.

5.2 Laboratory manufactured slab specimens

5.2.1 Prepare slab specimens manufactured in the laboratory as detailed in Test Method AG:PT/T220. Laboratory manufactured test specimens will have a thickness of 50 – 100 mm and be between 4–30 days old at the time of testing.

5.2.2 Secure the asphalt slab in the Hamburg test mould.

5.3 Laboratory manufactured pat specimens

5.3.1 Prepare laboratory manufactured pat specimens using the Servopac compactor device as detailed in Test Method AS 2891.2.2 to a thickness of 40 - 100 mm, with the specimen thickness to be at least twice the nominal aggregate size. Allow compacted specimens to cool at room temperature on a clean, flat surface for 24 hours.

5.3.2 Cut the pat specimens, with the saw, along a secant or chord line (see Figure 3) so that when joined together in the moulds there is minimal gap between the cut faces of each specimen.

5.3.3 If required, invert the specimens and place them face down in the high density polyethylene moulds.

5.3.4 Prepare the regulation course material and pour it over the inverted cores to fill the moulds. Strike off any excess material using the straight edge so that the regulation course material provides a smooth and even surface level with the edges of the moulds. Allow to cure for 24 hours.

5.3.5 Secure the high density polyethylene mould and specimens in the Hamburg mould prior to testing.

5.4 Field sampled slab specimens

5.4.1 Slab specimens sampled from the pavement will have minimum dimensions of 300 mm length, 300 mm width and a minimum thickness of 40 mm for DG14 or 50 mm for DG20 and a maximum thickness of 90 mm. The specimens will consist of a single layer of material and have no discontinuities. Examine slab specimens for any defects caused through sampling and reject if cracks are visible to the naked eye or if the geometry of the specimen is compromised through spalling of corners and edges. Indicate the rolling or traffic direction clearly indicated on the upper surface.

5.4.2 For slab specimens having dimensions greater than 400 mm length and 300 mm width, cut a test specimen measuring about 400 by 300 mm from the central portion of the slab specimen using the masonry saw, and discard the remainder.

5.4.3 Remove the base of the compaction mould.

- 5.4.4 Invert the test specimen and place it centrally within the raised test mould.
- 5.4.5 Prepare the regulation course material and pour it over the inverted test specimen to fill the test mould. Strike off any excess material using the straight edge so that the regulation course material provides a smooth and even surface level with the upper edges of the test mould.
- 5.4.6 Allow the regulation course material to set.
- 5.4.7 If the dimensions of the asphalt specimen and mould differ by more than 0.5 mm fill the gap with regulation course material.
- 5.4.8 Remove any regulation course material from the top surface of the test specimen.
- 5.4.9 Carefully remove the test specimen from the compaction mould and secure it in the test mould.

5.5 Field sampled core specimens

- 5.5.1 Core specimens will have a minimum diameter of 140 mm and a minimum depth of 40 mm for DG14 and 50 mm for DG20 Asphalt.
 - 5.5.2 If required, cut the core specimen to give a height equal to the height of the high density polyethylene moulds. Otherwise prepare the core specimen as detailed in Test Method Q303A or AS 2891 Clause 8.
 - 5.5.3 Cut the core specimens, with the saw, along a secant or chord line (see Figure 3) so that when joined together in the moulds there is minimal gap between the cut faces of each specimen.
 - 5.5.4 If the core heights are less than the thickness of the mould, invert the specimens and place them face down in the mould.
 - 5.5.5 Prepare the regulation course material and pour it over the inverted cores to fill the mould. Strike off any excess material using the straight edge so that the regulation course material provides a smooth and even surface level with the edges of the mould. Allow to cure for 24 hours.
 - 5.5.6 Secure the high density polyethylene mould and specimens in the Hamburg mould prior to testing.
- 5.6 Identify each sample with a marker and if required photograph each sample before and after testing.

6 Procedure

The procedure shall be performed on each of the test specimens as follows:

- 6.1 Fit the mould and specimen into the wheel tracking device.
- 6.2 Turn on the wheel tracking device and enter the project information.
- 6.3 Set the test temperature, maximum rut depth and termination cycles.
- 6.4 Condition the test specimen at the test temperature for a minimum of 120 minutes but no more than 12 hours.
- 6.5 At the commencement of testing but prior to the cycles starting ensure the LVDT is zeroed.
- 6.6 Begin the automated testing program and monitor the rut depth progression over the first 50 – 100 cycles.

- 6.7 Allow the wheel tracker to run until the predetermined number of cycles or maximum rut depth have been achieved.
- 6.8 Remove the sample and base frame from the device and remove the specimen from the frame by loosening the bolts.
- 6.9 Clear the water bath of any loose material and drain if required.
- 6.10 Take photos of each whole sample after testing. Cut the sample into quarters and take photographs of all internal faces of the specimen.

7 Calculations

- 7.1 Plot the rut depth vs cycles for each test and identify the creep and stripping sections (if any) of the curve (Figure 2).
- 7.2 Calculate the following:
 - 7.2.1 Calculate the slope (m_c) and intercept (C_c) of the creep section of the curve.
 - 7.2.2 Calculate the slope (m_s) and intercept of the stripping (C_s) section of the curve.
 - 7.2.3 Calculate the stripping inflection point as follows:

$$SIP = \frac{C_s - C_c}{m_c - m_s}$$

- where SIP = stripping inflection point (cycles)
- C_s = intercept of stripping section of curve (mm)
- C_c = intercept of creep section of curve (mm)
- m_c = slope of creep section of curve (mm/cycle)
- m_s = slope of stripping section of curve (mm/cycle)

8 Reporting

Report the following values and general information:

- 8.1 Specimen source and form (laboratory or field; slab, pat or core).
- 8.2 Age of the specimen.
- 8.3 Number of cycles completed.
- 8.4 Rut depth (mm) at termination cycles.
- 8.5 Test temperature.
- 8.6 Air voids of specimen (%).
- 8.7 Number of cycles at stripping inflection point.
- 8.8 The number of this test method, that is Q325.

9 Notes on method

- 9.1 The Controls Slab Compactor satisfies the requirements of the segmental wheel compactor.

9.2 Before handling the sealant, silicon grease or plaster of paris, the operator should consult the relevant SDS.

Figure 1 – Core test mould

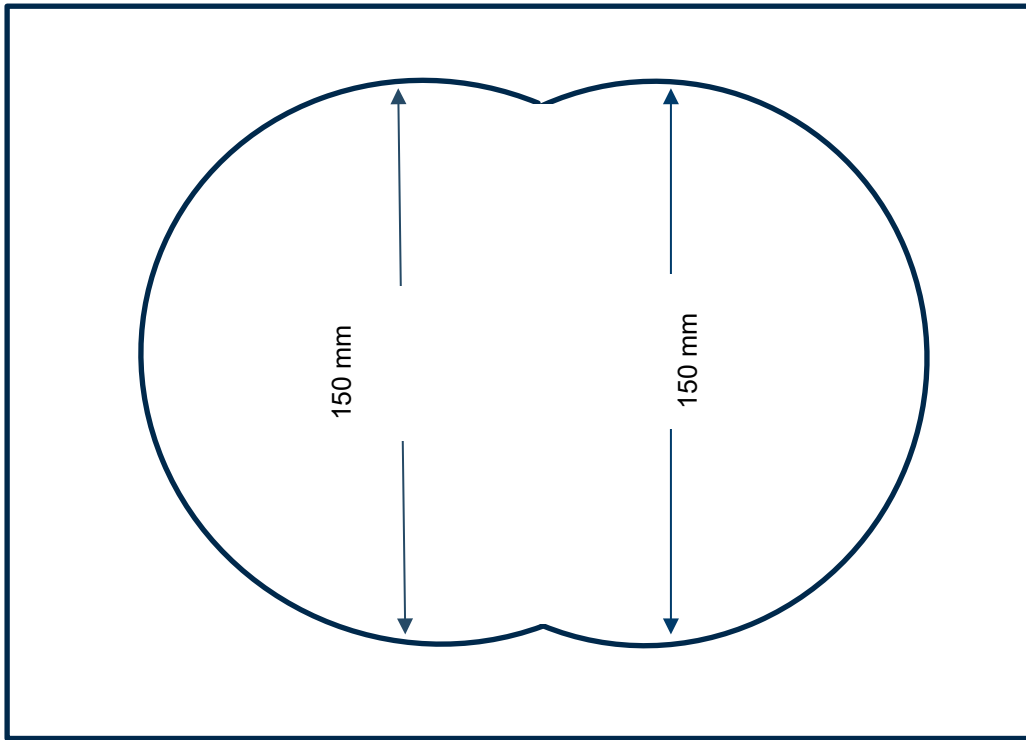


Figure 2 – Example of rut depth v cycles plot

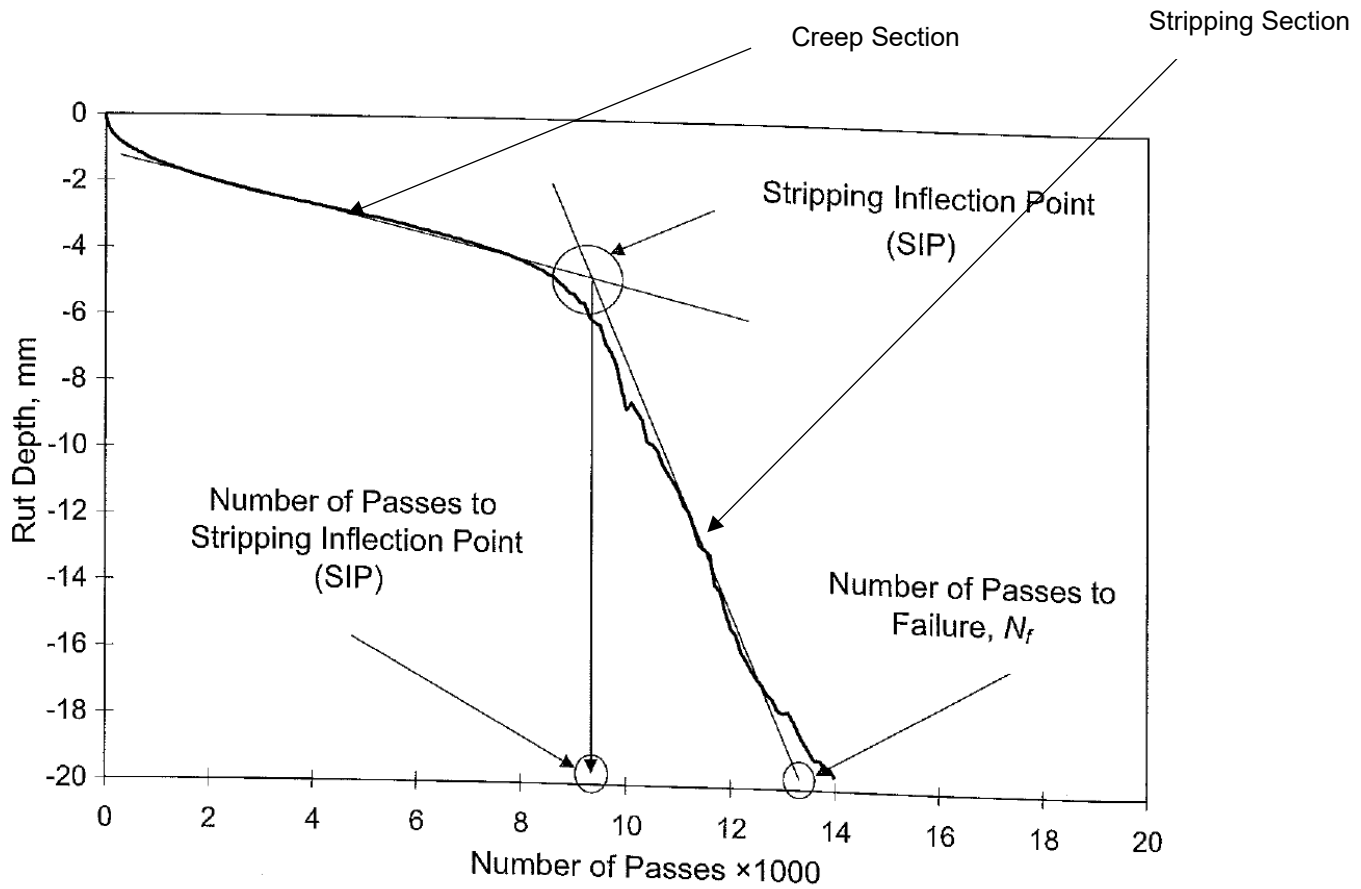
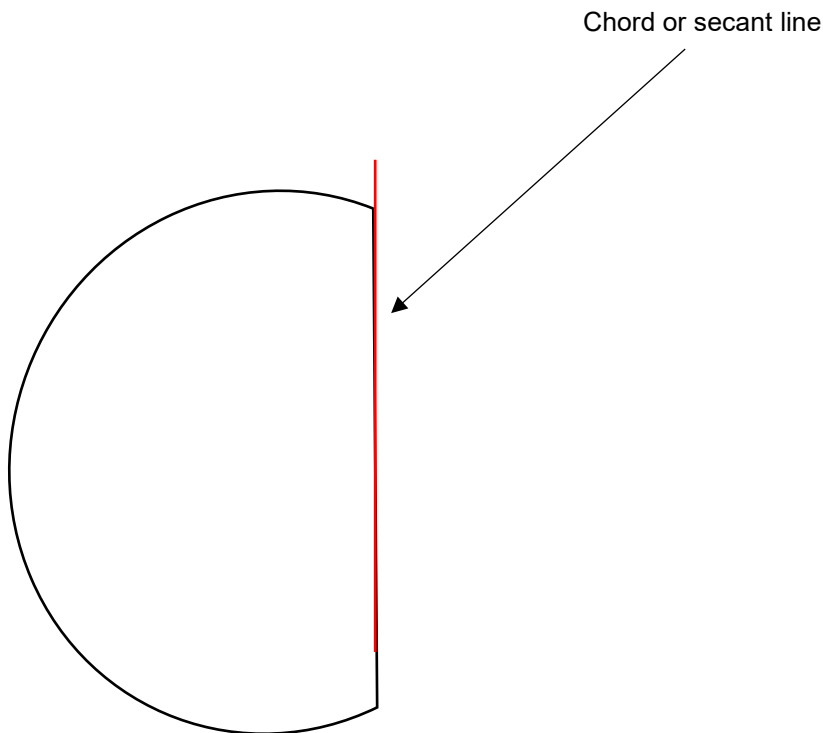


Figure 3 – Diagram showing the chord or secant line



Test Method Q331: Density of bitumen

This test shall be performed in accordance with AS 2341.7: *Determination of density using a density bottle*, except as follows:

- a) A balance having a resolution of at least 0.0001 g and a limit of performance within the range of ± 0.0005 g may be used.
- b) The density at 25°C may also be reported.
- c) The density may also be reported in kg/L or t/m³ to the nearest 0.0001 as follows:

$$\rho \text{ (kg/L)} = \frac{\rho \text{ (kg/m}^3\text{)}}{1,000} \quad \text{and} \quad \rho \text{ (t/m}^3\text{)} = \frac{\rho \text{ (kg/m}^3\text{)}}{1,000}$$

Test Method Q350: SBS content of polymer modified binder

1 Source

This method was developed in-house using the principles of Attenuated Total Reflection-Fourier Transform Infrared (ATR-FTIR) Spectroscopy.

2 Scope

This method sets out a procedure using ATR-FTIR analysis for determining the poly-styrene-butadiene-styrene (SBS) content of PMB. The method applies a calibration based on Kraton® 1101 cs SBS polymer and Class 320 bitumen. The method is applicable to polymer modified binder samples and to bound samples such as asphalt that contain a polymer modified binder component. For bound samples containing a polymer modified binder component, extraction of the binder from the sample is required prior to ATR-FTIR testing.

3 Apparatus

The following apparatus is required:

- 3.1 ATR-FTIR instrument and a peak area integration software package.
- 3.2 Balance of suitable capacity, having a resolution of at least 0.1 g with a limit of performance within the range of ± 0.5 g.
- 3.3 Shaker, a mechanical shaker fitted with automatic timing.
- 3.4 Drying oven of suitable capacity, having a temperature of about 40°C.
- 3.5 Vials, glass vials fitted with an airtight cap and of sufficient capacity to contain the sample (Note 10.1).
- 3.6 Glass plates, having minimum dimensions of 15 mm length, 15 mm width and 5 mm thickness.
- 3.7 Pipette, of 10 mL capacity.
- 3.8 Pasteur pipettes.
- 3.9 Fume hood.

4 Materials

The following materials are required:

- 4.1 Solvent resistant gloves.
- 4.2 Soft tissue paper.

5 Reagents

The following reagents are required (Note 10.2):

- 5.1 Carbon disulphide (AR grade).
- 5.2 Isopropanol (AR grade).
- 5.3 Mineral turpentine.

6 Sample preparation

Prepare the sample for ATR-FTIR analysis using the procedure described in Subsections 6.1 or 6.2 as appropriate.

6.1 Binder samples

The procedure for testing binder samples shall be as follows:

- 6.1.1 Place a glass vial on the balance and tare the balance.
- 6.1.2 Obtain a representative sample of approximately 2 g of the binder.
- 6.1.3 Transfer the sample to the glass vial and record the mass to the nearest 0.1 g.
- 6.1.4 Pipette 10 mL carbon disulphide into the vial and fit the cap.
- 6.1.5 Dissolve the binder by shaking the vial for at least one hour at room temperature on a mechanical shaker.
- 6.1.6 Using a pasteur pipette in a fume hood, extract a portion of the solution from the top half of the vial and transfer two drops of the extract to the centre of a glass plate, restricting the spread of the extract to as small a diameter as possible.
- 6.1.7 Allow the solution on the glass plate to dry (Note 10.3).
- 6.1.8 Repeat Steps 6.1.6 to 6.1.7 until an adequate thickness of binder on the glass plate has been achieved (Note 10.4).
- 6.1.9 Heat the glass plate and binder in the 40°C oven for one hour.
- 6.1.10 Repeat Steps 6.1.6 to 6.1.9 to prepare a duplicate binder sample for ATR-FTIR analysis.

6.2 Bound samples

The procedure for testing bound samples shall be as follows:

- 6.2.1 Place a glass vial on the balance and tare the balance.
- 6.2.2 Obtain a representative sample of approximately 20 g of the bound material (Note 10.5).
- 6.2.3 Transfer the sample to the glass vial and record the mass to the nearest 0.1 g.
- 6.2.4 Pipette 10 mL carbon disulphide into the vial and fit the cap.
- 6.2.5 Dissolve the binder by shaking the vial for at least one hour at room temperature on a mechanical shaker.
- 6.2.6 Transfer the vial to a fume hood and allow it to stand undisturbed for at least one hour.
- 6.2.7 Using a pasteur pipette, extract a portion of the solution from the top half of the vial and transfer two drops of the extract to the centre of a glass plate, restricting the spread of the extract to as small a diameter as possible.
- 6.2.8 Allow the solution on the glass plate to dry (Note 10.3).
- 6.2.9 Repeat Steps 6.2.7 to 6.2.8 until an adequate thickness of binder on the glass plate has been achieved (Note 10.4).
- 6.2.10 Heat the glass plate and binder in the 40°C oven for one hour.
- 6.2.11 Repeat Steps 6.2.7 to 6.2.10 to prepare a duplicate binder sample for ATR-FTIR analysis.

7 Procedure

The procedure shall be as follows:

7.1 Instrument set-up

Set up the ATR-FTIR spectrophotometer as appropriate using the general requirements as detailed in Table 1.

7.2 ATR-FTIR measurement

Perform the following with reference to the instrument's operating instructions.

- 7.2.1 Check the instrument energy level to confirm it is within specification.
- 7.2.2 Check the surface of the diamond window to confirm that it is clean and then obtain a background spectrum, that is, no sample applied.
- 7.2.3 Select one of the glass plates containing the binder sample and place it centrally over the diamond window on the instrument, ensuring complete contact between the window and the binder (Note 10.6).
- 7.2.4 Obtain a spectrum of the binder sample and carefully remove the glass plate and binder from the instrument.
- 7.2.5 Remove all residual binder from the diamond window and sample platform by thorough cleaning using mineral turpentine and then soft tissue paper.
- 7.2.6 Repeat Steps 7.2.3 to 7.2.5 for the remaining glass plate and binder.

8 Calculations

Calculations shall be as follows:

- 8.1 Using a relevant peak area integration software package and the "both ends" option, determine the areas of the peaks at 966 cm⁻¹, 911 cm⁻¹, 808 cm⁻¹ and 697 cm⁻¹ for each of the two spectra.
- 8.2 Calculate the SBS content corresponding to the peak area data for each of the two spectra as follows:

$$S = \frac{28.42P_{697}}{P_{966} + P_{911} + P_{808} + P_{697}}$$

- where
- | | | |
|------------------|---|-----------------------------------|
| S | = | SBS content (%) |
| P ₆₉₇ | = | peak area at 697 cm ⁻¹ |
| P ₉₆₆ | = | peak area at 966 cm ⁻¹ |
| P ₉₁₁ | = | peak area at 911 cm ⁻¹ |
| P ₈₀₈ | = | peak area at 808 cm ⁻¹ |

- 8.3 Calculate the SBS content of the sample as the average of the SBS contents determined for the two spectra.

9 Reporting

Report the SBS content to the nearest 0.1%.

10 Notes on method

- 10.1 Cylindrical glass vials of 16 mm internal diameter and 55 mm height (25 mL) have been found suitable for binder samples (Step 6.1.2) and for bound samples (Step 6.2.2) having a nominal size up to 14 mm. For bound samples of larger nominal size, glass vials of larger internal diameter may be required.
- 10.2 Before handling reagents, the operator must consult the relevant SDS.
- 10.3 It is only necessary to allow the binder film to dry to a condition that allows more extract to be dropped onto the glass plate.
- 10.4 The aim is to provide a spot of binder on the glass plate which is just sufficient to completely cover the diamond window of the ATR-FTIR. A spot of about 5 mm in diameter and of sufficient thickness to prevent the passage of light will be required.
- 10.5 For asphalt core samples, a representative sample should be obtained in accordance with Test Method Q303B.
- 10.6 To reduce the amount of binder adhering to the sample platform on the instrument, a thin paper or aluminium foil spacer may be used to separate much of the binder from the sample platform. The spacer should have dimensions no smaller than the glass plate and contain a hole in the centre slightly larger than the diamond window. This will allow complete contact between the binder and diamond window while limiting contact between the binder and sample platform.

Table 1 – Set-up of ATR-FTIR spectrophotometer

Component/condition	Requirements	Component/conditions	Requirements
Detector	DTGS KBr	Beam splitter	KBr
Source	IR-Turbo	Accessory	Smart orbit
Window	Diamond	Gain setting	8.0
Aperture	100	Velocity	0.6329
Scan range	1100-625 cm ⁻¹ *	Number of scans	32

* A full range scan of 4000-525 cm⁻¹ may also be used

Test Method Q361: Sedimentation of bituminous emulsion

1 Source

This method is based on AS 2341.27 – 1996: *Method for Determination of Sedimentation*. It differs from this Australian Standard in that it uses the difference between values of residue from evaporation to determine the sedimentation value. It also includes a defined sample mixing procedure prior to testing, as detailed in Main Roads Internal Report R2504, to ensure the sample when tested replicates a "fresh" emulsion condition.

2 Scope

This method sets out a procedure for determining the degree of sedimentation of bituminous emulsion on standing undisturbed. It provides a means of evaluating the tendency for the two phases of emulsion to separate with time.

3 Apparatus

The following apparatus is required:

- 3.1 Mixing container, a 5 L plastic pail having approximate dimensions of diameter 200 mm at the top and 180 mm at the bottom, and height 190 mm.
- 3.2 Mechanical stirrer, fitted with a helix shaped paddle having approximate dimensions of 140 mm in diameter and 140 mm depth, and capable of stirring the sample at 125 rpm (Figure 1).
- 3.3 Balance of suitable capacity, having a resolution of at least 0.001 g and with a limit of performance within the range of ± 0.005 g.
- 3.4 Measuring cylinders, two glass measuring cylinders of 500 mL capacity and 50 ± 5 mm outside diameter, graduated at 5 mL intervals. Each cylinder shall be fitted with a stopper and two glass stopcocks at the 50 mL and 450 mL graduation marks.
- 3.5 Beaker, of 2 L capacity.
- 3.6 Bitumen content containers, four flat-bottomed cylindrical metal containers of 500 mL capacity.
- 3.7 Stirring rods, four glass stirring rods.

4 Procedure

The procedure shall be as follows:

- 4.1 Obtain a representative sample of the bituminous emulsion of about 3 L and transfer it to the mixing container (Note 7.1).
- 4.2 Position the mechanical stirrer over the sample so that the paddle is placed centrally within the sample with a gap of about 1 cm between the bottom of the paddle and the bottom of the pail.
- 4.3 Stir the sample at 125 rpm for 10 minutes.
- 4.4 Immediately transfer about 1200 mL of the sample to the 2 L beaker and then fill the two measuring cylinders to the 500 mL mark.
- 4.5 Stopper the cylinders and allow them to stand undisturbed at room temperature for three days.
- 4.6 Place a stirring rod into each of two bitumen content containers, weigh each container and record the mass to the nearest 0.001 g.

- 4.7 Open the top stopcock on one of the measuring cylinders and collect the top 50 mL portion of the sample in one of the two bitumen content containers, taking care not to disturb the remainder of the sample.
- 4.8 Open the bottom stopcock and discard the next 400 mL of sample, taking care not to disturb the remainder of the sample.
- 4.9 Thoroughly stir the portion remaining in the measuring cylinder and pour it into the second bitumen content container.
- 4.10 Repeat Steps 4.6 to 4.9 for the sample in the second measuring cylinder.
- 4.11 Determine the residue from evaporation of the portion in each bitumen content container in accordance with AS 2341.23.

5 Calculations

Calculate the sedimentation of the sample as follows:

$$S = \frac{B_1 + B_2 - A_1 - A_2}{2}$$

- where
- S = sedimentation (%)
 - B_1, B_2 = residue from evaporation for the two bottom layer portions (%)
 - A_1, A_2 = residue from evaporation for the two top layer portions (%)

6 Reporting

Report the sedimentation of the sample to the nearest 0.1%.

7 Notes on method

- 7.1 It is preferable that the container used for sampling is the mixing container described in Step 3.1 which is then fitted with a lid. Where this is not possible, the sample must be thoroughly stirred and mixed to a homogeneous condition prior to transfer to the mixing container.

Figure 1 – Mechanical stirrer paddle



Test Method Q364: Recovery of polymer modified binder from polymer modified emulsion

1 Source

This method is based on outcomes from internal laboratory investigations as reported in the Transport and Main Roads Internal Report R2523: *Investigation of Test Methods for Recovering Polymer Modified Binder from Polymer Modified Bituminous Emulsion*.

2 Scope

This method describes the recovery of polymer modified binder from polymer modified emulsion. It involves separation of the binder by ethanol precipitation, and removal of the aqueous phase by draining and subsequent evaporation in an oxygen free environment using either a vacuum oven or a nitrogen purged oven. The recovery process is not expected to impact on the properties of the polymer modified binder. The method includes determination of the polymer modified binder content of the emulsion.

3 Apparatus

The following apparatus is required:

- 3.1 Mixing container, a 5 L plastic pail having approximate dimensions of diameter 200 mm at the top and 180 mm at the bottom, and height 190 mm.
- 3.2 Mechanical stirrer, fitted with a helix shaped paddle having approximate dimensions of diameter 140 mm and height 140 mm, and capable of stirring the sample at 125 rpm (Figure 1).
- 3.3 Balance of suitable capacity, with a resolution of at least 0.01 g and with a limit of performance within the range of ± 0.05 g.
- 3.4 Vacuum oven (optional – Subsection 5.2 only), fitted with a vacuum measuring device and thermostatically controlled over a temperature range including 100°C.
- 3.5 Vacuum system (optional – Subsection 5.2 only), comprising a vacuum tube connected to a vacuum pump capable of producing an absolute pressure of about 4 kPa with a suitable ice water trap located between the vacuum pump and vacuum oven.
- 3.6 Nitrogen purged oven (optional – Subsection 5.3 only), thermostatically controlled over a temperature range including 100 to 130°C, and fitted with a nitrogen gas supply and circulation system. The purging outlet of the oven should be fed into a fume extraction system, for example, fume cupboard.
- 3.7 Trays, silicon rubber trays having approximate dimensions of 200 mm length, 200 mm width and 50 mm depth.
- 3.8 Spatula, stainless steel spatula having approximate dimensions of length 150 mm and width 15 mm.
- 3.9 Beakers, glass beakers of 500 mL capacity.
- 3.10 Measuring cylinder, a glass measuring cylinder of 250 mL capacity.
- 3.11 Container, metal container fitted with a lid and of sufficient capacity to store the recovered binder.
- 3.12 Gloves, rubber gloves suitable for handling the recovered binder.

4 Materials

The following materials are required:

- 4.1 Breaking agent, methylated spirits (industrial grade) or ethanol (LR grade).

5 Procedure

The procedure shall be as follows:

5.1 Sample preparation

- 5.1.1 Determine the total mass of binder to be recovered for testing.

- 5.1.2 Calculate the mass of emulsion required for binder recovery as follows (Note 8.1):

$$M = \frac{1.5M_B}{0.75}$$

where M = mass of emulsion required (g)

M_B = moisture content of soil

- 5.1.3 Transfer the emulsion sample to the mixing container (Note 8.2).
- 5.1.4 Position the mechanical stirrer within the mixing container so that the paddle is located centrally with a gap of about 10 mm between the bottom of the paddle and the bottom of the container.
- 5.1.5 Stir the sample in the mixing container using the mechanical stirrer at 125 rpm for at least 10 minutes.
- 5.1.6 At the completion of stirring, immediately pour a quantity of emulsion not less than that calculated in Step 5.1.2 into a tared beaker(s).
- 5.1.7 Record the mass of emulsion in the beaker(s) to the nearest 0.01 g (m_e).
- 5.1.8 Transfer a portion of the emulsion from the beaker into a tared silicon rubber tray. This portion should be about 120 g for the vacuum oven method (Subsection 5.2) and about 80 g for the nitrogen purged oven method (Subsection 5.3).
- 5.1.9 Repeat Step 5.1.7 until all of the emulsion in the beaker(s) has been transferred to the trays.
- 5.1.10 Add breaking agent to the residual emulsion in the beaker to separate the binder and aqueous phases.
- 5.1.11 Add a volume of breaking agent to the measuring cylinder approximating the volume of emulsion in each tray.
- 5.1.12 While stirring the emulsion in one of the trays with the spatula, slowly add the breaking agent from the measuring cylinder to separate the binder and aqueous phases.
- 5.1.13 Repeat Step 5.1.11 for each of the remaining trays.
- 5.1.14 Using the spatula, decant the aqueous phase from each of the trays, taking care to ensure none of the binder phase is included.
- 5.1.15 Transfer the binder phase from the beaker and spatula to one of the trays, rinsing with water as required.
- 5.1.16 Remove the binder phase from each tray and hand wash it by kneading and flushing with tap water until foaming ceases.

- 5.1.17 Transfer the binder phase back to each tray and form it into a thin layer to match the size of the tray.
- 5.1.18 Dry the binder phase on each tray using the procedure described in Subsection 5.2 or 5.3 as appropriate.

5.2 Vacuum oven method

- 5.2.1 Place each tray in the vacuum oven at 100°C.
- 5.2.2 Gradually increase the vacuum to maximum, taking care to avoid excessive foaming, and allow the sample to be dried at maximum vacuum for two hours.
- 5.2.3 Remove the trays from the vacuum oven and allow them to cool.
- 5.2.4 Invert the samples in the trays then dry them in the vacuum oven at 100°C under maximum vacuum for one hour.
- 5.2.5 Remove the trays from the vacuum oven and allow them to cool to room temperature.
- 5.2.6 Remove the recovered binder from each tray and place it in a tared metal container.
- 5.2.7 Weigh the recovered binder and record the mass to the nearest 0.01 g (m_b).

5.3 Nitrogen purged oven method

- 5.3.1 Place each tray in the oven set at a temperature of 120°C under nitrogen purging for two hours (Note 8.3).
- 5.3.2 Remove the trays from the oven and allow them to cool.
- 5.3.3 Invert the samples in the trays then dry them in the oven at 120°C under nitrogen purging for one hour.
- 5.3.4 Remove the trays from the oven and allow them to cool to room temperature.
- 5.3.5 Remove the recovered binder from each tray and place it in a tared metal container.
- 5.3.6 Weigh the recovered binder and record the mass to the nearest 0.01 g (m_b).

6 Calculation

Calculations shall be as follows:

- 6.1 Calculate the polymer modified binder content of the emulsion as follows:

$$\text{PMB} = \frac{m_b}{m_e} 100$$

where PMB = polymer modified binder content (%)
 m_e = mass of emulsion (g)
 m_b = mass of recovered binder (g)

7 Reporting

Report the polymer modified binder content of the emulsion to the nearest 0.1%.

8 Notes on method

- 8.1 This calculation assumes a polymer modified binder content of 75% for the emulsion. A factor of 1.5 is applied to account for variation between the assumed and actual binder contents, as well as for potential binder losses during the recovery process and in the preparation of binder samples for testing.
- 8.2 To achieve efficient mixing without spillage under the stirring conditions of Step 5.1.5, sample sizes of 3 to 4 L can be accommodated in the mixing container. For larger sample sizes, representative sub-sampling or mixing with the mechanical stirrer directly in the sample container should be used. For smaller sample sizes, a longer mixing period in conjunction with manual stirring may be required.
- 8.3 At a temperature of 120°C, the sample should flow to uniformly cover the tray. If this does not occur, the oven temperature may be increased to as high as 130°C provided that it is returned to 120°C as soon as sufficient flow is achieved.

Figure 1 – Mechanical stirrer paddle



Test Method Q372: Cutter content of bituminous materials - modified Dean and Stark

1 Source

This method was developed in-house using techniques evolved through internal investigations, based on information and conditions implemented around the particular apparatus used.

2 Scope

This method sets out the procedure for the determination of the cutter content of bituminous materials using a modification to the Dean and Stark method of water extraction.

Internal investigations have indicated that the recovery of cutter from bituminous materials is not affected by cutter concentration. However, the extractive efficiency of this method is reduced for cutter products from the heavier fraction of the distillation range. The recovery efficiencies of this method for different cutter products are detailed in Table 1.

3 Apparatus

The following apparatus is required:

- 3.1 Balance of suitable capacity, with a resolution of 0.1 g and with a limit of performance within the range of ± 0.5 g.
- 3.2 Balance of suitable capacity, with a resolution of 0.01 g and with a limit of performance within the range of ± 0.05 g.
- 3.3 Round bottomed flask, of suitable capacity fitted with a ground glass neck (Table 2).
- 3.4 Boiling chips.
- 3.5 Heating mantle, thermostatically controlled.
- 3.6 Dean and Stark heavy entrainer of suitable size (Table 2).
- 3.7 Reflux condenser, Liebig type, with an effective cooling length of 400 mm.
- 3.8 Ground glass joint adaptors.
- 3.9 Wire, of approximately 500 mm in length and approximately 2 mm in diameter.

4 Materials

The following material is required:

- 4.1 Cutter, a sample of the cutter product used in the bituminous emulsion or asphalt material under test (if available) (Note 9.1).
- 4.2 Binder, a sample of the binder used in the cutback bitumen or asphalt material under test (if available).
- 4.3 Distilled water or equivalent (for example, reverse osmosis water).

5 Sample preparation

The sample shall be prepared as follows:

5.1 Cutback bitumen

- 5.1.1 Thoroughly mix the sample of cutback bitumen.

- 5.1.2 Using a portion of the sample, determine its density (D_C) in accordance with either Test Method Q374 or AS 2341.7 (Note 9.2).

5.2 Asphalt

- 5.2.1 Obtain a representative sample of suitable size (Table 2) by coning and quartering in accordance with Subsection 4.2 of Test Method Q301.
- 5.2.2 Determine the density of the cutter product used in the material at 25°C in accordance with Test Method Q374, using 0.997 kg/L as the density of water at 25°C (Note 9.3).

5.3 Bituminous emulsion

- 5.3.1 Thoroughly mix the sample of bituminous emulsion.
- 5.3.2 Determine the density of the cutter product used in the material at 25°C in accordance with Test Method Q374, using 0.997 kg/L as the density of water at 25°C (Note 9.3).

6 Procedure

The procedure shall be as follows:

- 6.1 Weigh a sample of suitable size (Table 2) into a tared flask (Note 9.4). Record the mass of the sample (m) to the nearest 0.1 g for asphalt samples and to the nearest 0.01 g for all other sample types.
- 6.2 Add distilled water (or equivalent) to the flask in accordance with the guidelines in Table 2.
- 6.3 Add boiling chips to the flask.
- 6.4 Transfer the flask and contents to the heating mantle and use the appropriate adaptors to connect the Dean and Stark apparatus to the flask and the Liebig reflux condenser to the Dean and Stark apparatus. Ensure that all joints and connections are airtight.
- 6.5 Adjust the water flow through the condenser tube to a slow uniform rate.
- 6.6 Heat the flask to raise the temperature to the boiling point of the mixture.
- 6.7 Adjust the heating so that the distillate collects in the entrainer at a rate of 2 to 5 drops per second.
- 6.8 Continue distillation until the volume of cutter collected in the entrainer remains constant for 60 minutes (Note 9.5). Dislodge any cutter adhering to the condenser or entrainer walls using the length of wire.
- 6.9 Allow the contents of the entrainer to cool to room temperature and record the volume of cutter collected to the nearest scale division (V) (Note 9.6).

7 Calculations

Calculate the cutter content of the sample of cutback bitumen, asphalt or bituminous emulsion using the appropriate calculation, as follows:

7.1 Cutback bitumen

- 7.1.1 No blank determination

Where no blank determination has been made on the original uncut bitumen, calculate the cutter content as follows:

- a) Calculate the volume of cutter per mL of cutback bitumen as follows:

$$V_c = \frac{D_c V}{m}$$

- where V_c = volume of cutter per mL of cutback bitumen (mL)
 D_c = density of cutback bitumen (kg/L)
 V = volume of cutter recovered from cutback bitumen sample (mL)
 m = mass of cutback bitumen sample (g)

- b) Calculate the cutter content as follows:

$$C_v = \frac{V_c}{1 - V_c} 100$$

- where C_v = cutter content of the cutback bitumen expressed as the volume of cutter per 100 volumes of binder
 V_c = volume of cutter per mL of cutback bitumen (mL)

7.1.2 With blank determination

Where a blank determination has been made (Note 9.6), calculate the cutter content as follows:

- a) Calculate the volume of cutter per mL of cutback bitumen as described in Step 7.1.1 a).
 b) Calculate the volume of cutter per mL of the binder blank sample as follows:

$$V_b = \frac{D_b V_o}{m_b}$$

- where V_b = volume of cutter per mL of binder blank sample (mL)
 D_b = density of binder (kg/L)
 V_o = volume of cutter recovered from blank sample (mL)
 m_b = mass of binder sample (g)

- c) Calculate the cutter content as follows:

$$C_v = \frac{V_c - V_b}{1 - V_c + V_b} 100$$

- where C_v = cutter content of the cutback bitumen expressed as the volume of cutter per 100 volumes of binder
 V_c = volume of cutter per mL of cutback bitumen (mL)
 V_b = volume of cutter per mL of binder blank sample (mL)

7.2 Asphalt and bituminous emulsion

7.2.1 Cutter content by mass

Calculate the cutter content as follows:

$$C_m = \frac{VD}{m} 100$$

- where C_m = cutter content of sample expressed as the percentage by mass of sample (%)
- V = volume of cutter recovered from sample (mL)
- D = density of cutter (kg/L)
- m = mass of sample (g)

7.2.2 Cutter content by volume

For asphalt, the cutter content may also be calculated as volume of cutter per 100 volumes of the binder in the asphalt as follows:

- a) Calculate the volume of the binder in the asphalt sample as follows:

$$V_a = \frac{mB_a}{D_B(100-C_m)}$$

- where V_a = volume of binder in asphalt sample (mL)
- m = mass of asphalt sample (g)
- B_a = binder content of the asphalt (%) (Note 9.7)
- D_B = density of binder (kg/L) (Note 9.8)
- C_m = cutter content of sample expressed as the percentage by mass of sample (%), as derived in Step 7.2.1

- b) Calculate the cutter content as follows:

$$C_v = \frac{V}{V_a} 100$$

- where C_v = cutter content of the asphalt expressed as the volume of cutter per 100 volumes of the binder in the asphalt
- V = volume of cutter recovered from sample (mL)
- V_a = volume of binder in asphalt sample (mL)

8 Reporting

Report the following as appropriate:

- 8.1 For cutback bitumen and for asphalt (where required), report the cutter content as volumes of cutter per 100 volumes of binder to the nearest 0.1.

- 8.2 For asphalt and bituminous emulsion, report the cutter content as a percentage by mass to the nearest 0.1%.

9 Notes on method

- 9.1 Before handling any cutter oil product, the operator must consult the relevant SDS.
- 9.2 The choice of method for determining the density of the cutback bitumen depends upon the nature of the material. Highly cutback bitumen is better tested by Q374, since its density is likely to be lower than that of water, making AS 2341.7 difficult to perform.
- 9.3 If a sample of the cutter product used is not available, it may be necessary to repeat Steps 6.1 to 6.8 several times in order to extract sufficient of the cutter to determine its density. Alternatively, a value for cutter density may be assumed, provided that the degree of uncertainty that this introduces to the cutter content is acceptable. For kerosene cutters, a value of 0.78 kg/L may usually be used in the absence of any other data, alternatively the operator could consult the Material Safety Data Sheet for the relevant cutter to obtain a value for density.
- 9.4 The operator should exercise care when transferring the sample to the flask to ensure that no sample comes into contact with the ground glass neck of the flask.
- 9.5 In the case of high cutter content cutback bitumens, if the volume of cutter exceeds the capacity of the entrainer, the sample should be cooled and a quantity of cutter removed by pipette before reheating to complete the analysis. Add the quantity removed to the final result.
- 9.6 Some bitumens contain volatile materials which will increase the volume of cutter extracted during this test. For the accurate determination of cutter content in a cutback made from such bitumens, a blank cutter content determination should be conducted on the bitumen only, if that is available.
- 9.7 Binder content of the asphalt should be determined in accordance with Test Method Q308A on a representative sample of the same asphalt. No attempt should be made to drive off the cutter before determining the binder content. The additional mass of any cutter originally present in the sample has been accounted for in the calculation in Step 7.2.2 (a).
- 9.8 In the absence of any other evidence, the density of the binder can be assumed to be 1.04 kg/L for bitumen binders and 1.03 kg/L for polymer modified binders.
- 9.9 To be able to reliably ascertain the concentration of a cutter in a cutback bitumen, the identity of the cutter should be known and adjustment factors should be developed for each cutter type to reflect its specific recovery efficiency.
- 9.10 When a mixture of cutters and fluxes of differing volatilities is used in a cutback bitumen, the recovery efficiency can be estimated from a weighted average of the individual cutter efficiencies.

Table 1 - Recovery efficiencies for different cutter products (Notes 9.9 and 9.10)

Cutter material	Recovery (%)
BP Coralite	93 – 95
Shell high flash point cutter	93 – 95
Dieselene	68
Coralite/dieselene blend	84
Furnace oil	8

Table 2 - Recommended sample sizes, distilled water volumes, flask and entrainer sizes

Bituminous material	Sample size (g)	Entrainer size (mL)	Distilled water (mL)	Flask size (mL)
Cutback bitumen	50	12.5	500	1,000
Bituminous emulsion	100	12.5	500	1,000
Bitumen	100	3	500	1,000
Asphalt:				
DG7, DG10, DG14	1,000	12.5	*	1,000
DG20, DG28	1,500	12.5	*	2,000

* Samples to be covered with distilled water (or equivalent) to a depth of 25 mm.

Test Method Q374: Density of petroleum products

1 Source

This method was developed in-house using information contained within technical references.

2 Scope

This method describes the procedure for the determination of the density of liquid petroleum products including cutter oils, flux oils and cutback bitumens. The test is performed at 25°C but provision is also made for the reporting of the corresponding density result at 15°C.

3 Apparatus

The following apparatus is required:

- 3.1 Balance, of suitable capacity, with a resolution of at least 0.001 g and a limit of performance within the range of ± 0.005 g.
- 3.2 Volumetric flasks, of 100 mL capacity.
- 3.3 Beakers, of 250 mL capacity.
- 3.4 Filter funnel, a long-stem glass funnel.
- 3.5 Water bath, maintained at a temperature of $25 \pm 0.1^\circ\text{C}$.
- 3.6 Pasteur pipette.
- 3.7 Glass rod.

4 Materials

The following material is required:

- 4.1 Distilled water or equivalent (for example, reverse osmosis water).

5 Procedure

The following procedure shall be performed in duplicate (Note 9.1).

- 5.1 Weigh the stoppered flask and record the mass to the nearest 0.001 g (m_1).
- 5.2 Fill the flask to about one centimetre below the calibration mark with distilled water (or equivalent) and stopper.
- 5.3 Place the stoppered flask in the water bath so that the water level is above the calibration mark. Leave the flask in the water bath for at least 45 minutes to allow the flask and contents to attain temperature equilibrium.
- 5.4 Using a pasteur pipette, add distilled water (or equivalent) dropwise to the flask until its level almost reaches the calibration mark. Stopper the flask and leave in the water bath for at least 15 minutes.
- 5.5 Using a pasteur pipette, fill the flask to the calibration mark with distilled water (or equivalent). Stopper the flask, remove from the water bath and dry thoroughly.
- 5.6 Weigh the stoppered flask and contents and record the mass to the nearest 0.001 g (m_2).
- 5.7 Empty the flask and dry thoroughly.

- 5.8 Stir the sample thoroughly and decant a portion into the beaker.
- 5.9 Using the filter funnel, transfer sufficient of the sample portion from the beaker to the flask to fill it to about one centimetre below the calibration mark (Note 9.2).
- 5.10 Stopper the flask and then place in the water bath so that the water level is above the calibration mark. Leave the flask in the water bath for at least 45 minutes to allow the flask and contents to attain temperature equilibrium.
- 5.11 Using a pasteur pipette or glass rod as appropriate, add sample to the flask until its level almost reaches the calibration mark (Note 9.2). Stopper the flask and leave in the water bath for at least 15 minutes.
- 5.12 Using a pasteur pipette or glass rod as appropriate, fill the flask to the calibration mark with the sample (Note 9.2). Stopper the flask, remove from the water bath and dry thoroughly.
- 5.13 Weigh the stoppered flask and contents and record the mass to the nearest 0.001 g (m_3).

6 Calculations

Calculations shall be as follows:

- 6.1 Calculate the density of each test portion of the sample as follows:

$$D = \frac{(m_3 - m_1) 0.997}{(m_2 - m_1)}$$

- where D = density of test portion (kg/L)
- m_1 = mass of stoppered flask (g)
- m_2 = mass of stoppered flask filled with distilled water (or equivalent) (g)
- m_3 = mass of stoppered flask filled with sample (g)

- 6.2 Provided that the difference between the density results from the two test portions is no greater than 0.0016 kg/L, calculate the density of the sample as the average of the two results to the nearest 0.001 kg/L.
- 6.3 When the density of the sample at 15°C is required, record to the nearest 0.001 kg/L using Table 1.

7 Reporting

- 7.1 Report the density of the sample at 25°C and/or 15°C as appropriate, to the nearest 0.001 kg/L.

8 Precision

8.1 Repeatability

- 8.1.1 The results of duplicate tests by the same operator are acceptable if they do not differ by more than 0.0012 kg/L.

9 Notes on method

- 9.1 Steps 5.1 to 5.7 of the procedure determine the volume of the flask. Checks on this value may only be required periodically.

9.2 It is essential during flask filling that the sample makes no contact with that part of the neck of the flask above the calibration mark. If this is not achieved, it will be necessary to repeat the procedure.

Table 1 - Comparison of density values of petroleum products at 25°C and 15°C

Density (kg/L)		Density (kg/L)		Density (kg/L)		Density (kg/L)	
25°C	15°C	25°C	15°C	25°C	15°C	25°C	15°C
0.7500	0.7588	0.8000	0.8072	0.8700	0.8768	0.9550	0.9616
0.7550	0.7638	0.8050	0.8122	0.8750	0.8818	0.9600	0.9666
0.7600	0.7688	0.8060	0.8132	0.8800	0.8868	0.9650	0.9716
0.7620	0.7706	0.8070	0.8141	0.8850	0.8918	0.9700	0.9766
0.7640	0.7728	0.8100	0.8171	0.8900	0.8968	0.9750	0.9816
0.7650	0.7735	0.8150	0.8221	0.8920	0.8988	0.9760	0.9826
0.7680	0.7762	0.8160	0.8230	0.8930	0.8997	0.9770	0.9835
0.7690	0.7772	0.8200	0.8270	0.8950	0.9017	0.9800	0.9865
0.7700	0.7781	0.8250	0.8320	0.9000	0.9067	0.9850	0.9915
0.7710	0.7790	0.8280	0.8350	0.9050	0.9117	0.9900	0.9965
0.7720	0.7800	0.8290	0.8359	0.9100	0.9167	0.9950	1.0015
0.7740	0.7818	0.8300	0.8369	0.9150	0.9217	1.0000	1.0065
0.7750	0.7828	0.8350	0.8419	0.9200	0.9267	1.0050	1.0115
0.7770	0.7846	0.8400	0.8469	0.9250	0.9317	1.0100	1.0165
0.7780	0.7856	0.8450	0.8519	0.9300	0.9367	1.0150	1.0215
0.7800	0.7874	0.8500	0.8569	0.9310	0.9377	1.0200	1.0265
0.7840	0.7914	0.8530	0.8599	0.9320	0.9386	1.0230	1.0295
0.7850	0.7923	0.8540	0.8608	0.9350	0.9416	1.0240	1.0304
0.7900	0.7973	0.8550	0.8618	0.9400	0.9466	1.0300	1.0364
0.7950	0.8023	0.8600	0.8668	0.9450	0.9516	1.0400	1.0464
0.7960	0.8032	0.8650	0.8718	0.9500	0.9566	1.0500	1.0564

Note: Values falling between those listed in Table 1 may be determined by linear interpolation.

Test Method Q456: Sulfate content of hardened concrete

1 Source

This method was developed in-house with reference to the procedures described in *A Text-Book of Quantitative Inorganic Analysis including Elementary Instrumental Analysis (3rd Edition)* – Arthur I. Vogel: Section V, 6 – Determination of Sulphate as Barium Sulphate.

2 Scope

This method describes the procedure for determining the sulfate content of hardened concrete. Sulfate content of finely ground hardened concrete is determined gravimetrically as barium sulfate following hydrochloric acid extraction and precipitation of the sulfate with barium chloride solution.

3 Definition

For the purpose of this method, the following definition shall apply:

- 3.1 Constant mass – is attained when successive determinations of mass of the crucible do not vary by more than ± 0.0002 g.

4 Apparatus

The following apparatus is required:

- 4.1 Balance of suitable capacity, with a resolution of at least 0.0001 g and with a limit of performance within the range of 0.0005 g.
- 4.2 Drying oven of suitable capacity, having a temperature of 105 to 110°C and complying with AS 1289.0.
- 4.3 Furnace, capable of maintaining temperature up to 800°C.
- 4.4 Hotplate, capable of maintaining a temperature of 150-200°C.
- 4.5 Steam bath.
- 4.6 Volumetric flasks, of 100 mL capacity.
- 4.7 Measuring cylinders of 25 mL, 50 mL and 100 mL capacity.
- 4.8 Pipettes, of 10 mL capacity, graduated in 0.1 mL divisions.
- 4.9 Pasteur pipettes.
- 4.10 Pipette filler.
- 4.11 Glass filter funnels.
- 4.12 Beakers, of 400 mL and 600 mL capacity.
- 4.13 Watch glasses of approximately 100 mm in diameter.
- 4.14 Desiccator, containing silica gel desiccant or equivalent.
- 4.15 Crucibles, silica or platinum crucibles with lids.
- 4.16 Crucible tongs.
- 4.17 Container, approximately 350 mL capacity, plastic and sealed with an airtight lid.
- 4.18 Storage bottles (amber glass), of 250 mL capacity.

5 Reagents

All reagents are analytical reagent grade and the following are required (Notes 11.1 and 11.2):

5.1 Ammonia solution, dilute:

- Dilute 25 mL of concentrated ammonia solution with distilled water (or equivalent) and make up to the mark in a 50 mL measuring cylinder.

5.2 Hydrochloric acid, concentrated (31-32% w/w).

5.3 Hydrochloric acid, dilute:

- Using a graduated pipette, add 1 mL of concentrated hydrochloric acid to 90 mL of distilled water (or equivalent) in a 100 mL measuring cylinder and make up to 100 mL with distilled water (or equivalent).

5.4 Methyl red indicator solution:

- Dissolve 0.1 g of methyl red indicator in distilled water (or equivalent) and make up to 100 mL with distilled water (or equivalent).

5.5 Barium chloride solution:

- Dissolve 10 g of barium chloride in distilled water (or equivalent).
- Transfer the solution to a 100 mL volumetric flask and make up to the mark with distilled water (or equivalent).

5.6 Silver nitrate solution (Note 11.3):

- Dissolve 1 g of silver nitrate in distilled water (or equivalent).
- Transfer the solution to a 100 mL volumetric flask and made up to the mark with distilled water (or equivalent).
- Transfer the solution to a 250 mL amber glass storage bottle and store in a dark cupboard.

6 Materials

The following materials are required:

6.1 Distilled water or equivalent (for example, reverse osmosis water).

6.2 Filter papers, Whatman No. 1, 40 and 542 or equivalent.

7 Sample preparation

The sample shall be prepared as follows:

7.1 Crush the sample to obtain a representative subsample passing 0.150 mm fine screening sieve as detailed in Test Method Q101F.

7.2 Dry the subsample in an oven maintained at 105-110°C and allow to cool to room temperature.

7.3 Store the oven dried subsample in a sealed container.

8 Procedure

The procedure shall be performed as follows in duplicate:

- 8.1 Weigh a sample portion expected to be equivalent to about 1 g of cement into a 400 mL beaker and record the mass to the nearest 0.0001 g (m_1) (Note 11.4).
- 8.2 Disperse the sample by adding 25 mL of distilled water (or equivalent) and 10 mL of concentrated hydrochloric acid. If effervescence is evident, a watch glass may be placed over the top of the beaker.
- 8.3 Add 50 mL of hot distilled water (or equivalent) to the beaker, cover with the watch glass and boil the contents for 5 to 10 minutes on the hotplate.
- 8.4 Filter the solution through a Whatman No. 40 (or equivalent) filter paper, collecting the filtrate in a 600 mL beaker.
- 8.5 Wash the insoluble residue on the filter paper with 3 or 4 portions of 20 mL of hot dilute hydrochloric acid. Collect the washings in the 600 mL beaker containing the filtrate. Discard the remaining insoluble residue.
- 8.6 Heat the filtrate and the washings to boiling and add 5 drops of methyl red indicator solution using a pasteur pipette. Neutralise the solution by adding dropwise dilute ammonia solution until a colour change of from pink to yellow is observed.
- 8.7 Filter the solution through a Whatman No. 1 (or equivalent) filter paper, collecting the filtrate in a 400 mL beaker.
- 8.8 Wash the precipitate with 3 or 4 portions of 10 to 15 mL of hot distilled water (or equivalent). Collect the washings in the 400 mL beaker containing the filtrate. Discard this precipitate.
- 8.9 Add 1 mL of concentrated hydrochloric acid using a graduated pipette and pipette filler.
- 8.10 Place the beaker and contents on the hotplate and heat to boiling.
- 8.11 Remove the beaker from the hotplate and place on the steam bath to maintain gentle boiling of the contents.
- 8.12 Add barium chloride solution dropwise to the contents, ensuring that no interruption to the boiling occurs and until precipitation appears complete.
- 8.13 Remove the beaker from the steam bath and allow the precipitate to settle. Add a few drops of barium chloride solution to the clear supernatant liquid to ensure complete precipitation of barium sulfate has occurred.
- 8.14 If precipitation is incomplete, add additional barium chloride solution and return the beaker to the steam bath for 1 hour. Repeat Steps 8.12 to 8.14.
- 8.15 Once precipitation is complete, allow the beaker and contents to cool to room temperature and filter the contents carefully through a Whatman No. 542 (or equivalent) filter paper, ensuring that all of the precipitate is transferred from the beaker to the filter paper.
- 8.16 Wash the precipitate several times with portions of approximately 30 mL of boiling distilled water (or equivalent) until the washings are chloride free (Note 11.5). Discard the filtered solution.
- 8.17 Heat a crucible for approximately 30 minutes in the furnace at 600-800°C, cool to room temperature in a desiccator and weigh, recording the mass to the nearest 0.0001 g.

- 8.18 Repeat Step 8.17 until constant mass is attained. Record the mass of the final weighing to the nearest 0.0001 g (m_2).
- 8.19 Carefully transfer the filter paper containing the precipitate to the crucible and dry at approximately 100°C in the furnace.
- 8.20 Place the lid onto the crucible and gradually increase the temperature of the furnace to about 250°C over approximately 1 hour. Increase the temperature of the furnace further to 600 - 800°C and hold at this temperature for 1 hour.
- 8.21 Remove the crucible from the furnace, cool to room temperature in the desiccator and weigh to the nearest 0.0001 g.
- 8.22 Heat the crucible at 600 - 800°C for 15 to 20 minutes and repeat Step 8.20.
- 8.23 Repeat Step 8.22 until constant mass is attained. Record the mass of the final weighing to the nearest 0.0001 g (m_3).

9 Calculations

Calculations shall be as follows:

- 9.1 Calculate the sulfate content for each run of the procedure, to the nearest 0.1% using the relevant calculation as follows:

$$\text{SO}_4^{2-} = \frac{41.2(m_3 - m_2)}{m_1}$$

- where SO_4^{2-} = sulfate content expressed as SO_4^{2-} (%)
- m_1 = mass of sample (g)
- m_2 = mass of crucible (g)
- m_3 = mass of crucible and residue (g)

$$\text{SO}_3 = \frac{34.3(m_3 - m_2)}{m_1}$$

- where SO_3 = sulfate content expressed as SO_3 (%)
- m_1 = mass of sample (g)
- m_2 = mass of crucible (g)
- m_3 = mass of crucible and residue (g)

- 9.2 Calculate the average of the two results and record as the sulfate content of the sample to the nearest 0.1%.

10 Reporting

Report the sulfate content expressed as SO_4^{2-} or SO_3 to the nearest 0.1%

11 Notes on method

- 11.1 Before handling chemicals and preparing reagents, the operator should consult the relevant SDS.
- 11.2 Unless otherwise indicated, all reagents are to conform to the specifications of the Committee on Analytical Reagents of the American Chemical Society, where such specifications are available.
- 11.3 Silver nitrate should be handled carefully to avoid any spillage of the solution which readily leaves black stains on bench tops and so on. Should staining occur, it can be removed using a reagent prepared by dissolving 75 g of each of thiourea and citric acid in 1 L of distilled water (or equivalent). This reagent is stable indefinitely.
- 11.4 Generally for hardened concrete, a 5 g sample approximates 1 g of cement.
- 11.5 To ensure the washings are free from chlorides, approximately 10 mL of the washings are acidified with 3 drops of concentrated nitric acid and silver nitrate is added dropwise. If a white precipitate or cloudiness forms, further washing of the precipitate with boiling distilled water are carried out until the addition of silver nitrate produces no white discolouration.

Test Method Q457B: Chloride content of hardened concrete - Mohr titration

1 Source

This method was developed in-house and is based on the procedures described in *A Text-Book of Quantitative Inorganic Analysis including Elementary Instrumental Analysis (3rd Ed.) - Arthur Vogel: Section III, 23 - Standardisation of the Silver Nitrate Solution: Part A - with Potassium Chromate as Indicator. The Mohr Titration* (contained within page 259 of this edition).

2 Scope

This method describes the procedure for determining the chloride content of hardened concrete. Chloride content is determined by acid extraction and titrimetric analysis of the extract for chloride ions using standardised silver nitrate.

3 Apparatus

The following apparatus is required:

3.1 Balances:

- a) balance of suitable capacity, readable to 0.1 g and with a limit of performance within the range of ± 0.5 g
- b) balance of suitable capacity, readable to 0.01 g and with a limit of performance within the range of ± 0.05 g, and
- c) balance of suitable capacity, readable to 0.0001 g and with a limit of performance within the range of ± 0.0005 g.

3.2 Drying oven of suitable capacity, having a temperature of 105-110°C and complying with AS 1289.0.

3.3 Furnace, capable of maintaining a temperature of 250°C.

3.4 Steam bath.

3.5 Volumetric flasks, of 100 mL, 250 mL and 1000 mL capacity.

3.6 Measuring cylinder (graduated) of 250 mL capacity.

3.7 Pipettes:

3.7.1 Bulb type of 10 mL, 25 mL and 50 mL capacity.

3.7.2 Graduated type of 1 mL capacity (graduated in 0.1 mL divisions).

3.7.3 Pasteur pipettes.

3.8 Pipette filler.

3.9 Burette, of 50 mL capacity graduated in 0.1 mL divisions.

3.10 Filter funnels (glass).

3.11 Beakers, of 250 mL, 400 mL and 600 mL capacity.

3.12 Magnetic stirrer and stirring bar.

3.13 Desiccator, containing silica gel desiccant (or equivalent).

3.14 Storage bottles, of 100 mL and 250 mL, and one of 1000 mL capacity (amber glass).

- 3.15 pH meter or pH indicator paper.
- 3.16 Conical flasks, of 125 mL capacity.

4 Reagents

All reagents are analytical reagent grade and the following are required (Notes 11.1 and 11.2).

- 4.1 Standard sodium chloride solution.
 - Heat sodium chloride in a furnace maintained at 250°C for 2 hours and then cool in a desiccator.
 - Dissolve 1.6485 ± 0.0001 g of dry sodium chloride in distilled water (or equivalent).
 - Transfer the solution to a 1000 mL volumetric flask and make up to the mark with distilled water (or equivalent) (1 mL of this solution equals 1 mg of chloride).
- 4.2 Silver nitrate solution.
 - Dissolve 4.8 g of silver nitrate in distilled water (or equivalent).
 - Transfer the solution to a 1000 mL volumetric flask and make up to the mark with distilled water (or equivalent).
 - Transfer the solution to a 1000 mL amber glass storage bottle and store in a dark cupboard (Note 11.3).
- 4.3 Potassium chromate indicator solution.
 - Dissolve 5 g of potassium chromate in 80 mL of distilled water (or equivalent).
 - While stirring, add dropwise the silver nitrate solution until a permanent red precipitate is produced.
 - Filter the solution and dilute the filtrate by making up to the mark in a 100 mL volumetric flask with distilled water (or equivalent). Transfer the indicator solution to a 100 mL storage bottle.
- 4.4 Sulfuric acid solution.
 - Add 0.5 mL of concentrated sulfuric acid by means of a 1 mL graduated pipette to 180 mL of distilled water (or equivalent) in a measuring cylinder.
 - Transfer the solution to a 250 mL storage bottle.
- 4.5 Sodium carbonate solution.
 - Dissolve 1.1 g of sodium carbonate in 200 mL of distilled water (or equivalent) and transfer to a 250 mL storage bottle.
- 4.6 Phenolphthalein indicator solution.
 - Dissolve 0.5 g of phenolphthalein in 50 mL of 95% ethanol and then slowly add 50 mL of distilled water (or equivalent) with constant stirring.
 - Filter the solution and transfer to a 100 mL storage bottle.
- 4.7 Sodium hydroxide solution.
 - Dissolve 5.1 g of sodium hydroxide in distilled water (or equivalent).
 - Transfer the solution to a 250 mL volumetric flask and make up to the mark with distilled water (or equivalent).

4.8 Nitric acid, concentrated.

5 Materials

The following materials are required:

5.1 Distilled water or equivalent (for example, reverse osmosis water).

5.2 Filter paper, Whatman No 1 or equivalent.

6 Standardisation of silver nitrate solution

The standardisation shall be performed as follows:

6.1 Perform Steps 6.2 to 6.5 in triplicate.

6.2 Pipette a 25 mL aliquot of standard sodium chloride solution into a 125 mL conical flask.

6.3 Add 1 mL of potassium chromate indicator solution to the flask by pasteur pipette.

6.4 Stir the solution using a magnetic stirring bar and titrate with silver nitrate solution to the first permanent red-brown colour change.

6.5 Record the titre value to the nearest 0.1 mL.

6.6 Calculate the average of the three titre determinations and record it as the molarity of the silver nitrate solution to the nearest 0.01.

7 Sample preparation

The sample shall be prepared as follows:

7.1 Crush the sample of hardened concrete to obtain a representative subsample of 750 g passing 0.150 mm sieve as detailed in Test Method Q101F.

7.2 Dry the subsample at 105 to 110°C and then allow to cool to room temperature.

7.3 Store the oven dried sample in a sealed container.

8 Procedure

The following procedure shall be performed in duplicate:

8.1 Weigh a portion of the sample to be equivalent to about 2 g of cement into a 250 mL beaker and record the mass to the nearest 0.0001 g (m) (Note 11.4).

8.2 Disperse the sample with 25 mL of distilled water (or equivalent) and 10 mL of concentrated nitric acid. Add 50 mL of hot distilled water (or equivalent) and place the beaker on a steam bath for 10 to 15 minutes.

8.3 Filter the solution and transfer all the material to the filter paper using a minimum quantity of distilled water (or equivalent). Wash the material retained on the filter paper with three 50 mL portions of distilled water (or equivalent). Collect the filtrate and washings in a 600 mL beaker. Discard the insoluble residue.

8.4 Adjust the pH of the filtrate to a value of 8.2 using the sodium hydroxide solution (Note 11.5).

8.5 If necessary, place the beaker on a steam bath and reduce the volume to approximately 250 mL.

8.6 Filter the solution into a 400 mL beaker. Transfer all of the precipitate to the filter paper from the 600 mL beaker using distilled water (or equivalent).

- 8.7 Wash the precipitate with three 10 mL portions of distilled water (or equivalent) and collect the washings in the 400 mL beaker containing the filtrate. Discard the insoluble residue.
- 8.8 Cool the filtrate to room temperature and add 2 mL of potassium chromate indicator.
- 8.9 Stir the solution using a magnetic stirring bar and titrate with silver nitrate solution to the first permanent red-brown colour change. For lengthy titrations, add additional 1 mL increments of potassium chromate indicator for every 10-15 mL of silver nitrate solution used.
- 8.10 Record the volume of the silver nitrate solution to the nearest 0.1 mL (V_t).
- 8.11 Carry out a blank determination using approximately 250 mL of distilled water (or equivalent).
- 8.12 Record the volume of silver nitrate solution to the nearest 0.1 mL (V_b).

9 Calculations

Calculations shall be as follows:

- 9.1 Calculate the chloride content for each run of the procedure to the nearest 1 part per million (ppm) as follows:

$$C = \frac{25000(V_t - V_b)}{V_m}$$

- where C = chloride content of sample (ppm)
- V_t = volume of silver nitrate solution titrated against the sample extract (mL)
- V_b = volume of silver nitrate solution titrated against the blank (mL)
- V = average volume of silver nitrate solution titrated during standardisation (mL)
- m = mass of sample portion (g)

- 9.2 Calculate and record the average of the two results as the chloride content of the sample to the nearest 1 ppm.

10 Reporting

Report the chloride content of the sample to the nearest 10 ppm.

11 Notes on method

- 11.1 Before handling chemicals and preparing reagents, the operator should consult the relevant SDS.
- 11.2 Unless otherwise indicated, all reagents are to conform to the specifications of the Committee on Analytical Reagents of the American Chemical Society, where such specifications are available.
- 11.3 Silver nitrate should be handled carefully to avoid any spillage of the solution which readily leaves black stains on bench tops and so on. Should staining occur, it can be removed using a reagent prepared by dissolving 75 g of each of thiourea and citric acid in 1 L of distilled water. This reagent is stable indefinitely.
- 11.4 Generally for hardened concrete, approximately 10 g of sample is equivalent to approximately 2 g of cement.

11.5 Sulfuric acid solution may be used if the pH of the solution goes above 8.2.

Test Method Q460A: Compressive stress and recovery of preformed joint filler

1 Source

This method is based on ASTM D545-84: *Preformed expansion joint fillers for concrete construction (non-extruding and resilient types)* Section 7.2: *Recovery and compression*, with only minor variations.

2 Scope

This method describes the procedure for determining, under specified conditions, both the stress required to compress preformed joint filler to a set strain level, and then the recovery of the filler material once the compressive force has been removed.

3 Apparatus

The following apparatus is required:

- 3.1 Compression testing machine, at least Class A as defined in AS 2193, with a moveable lower platen which travels at a uniform vertical rate of 1.3 mm/minute when measured loaded.
- 3.2 Compression platens, having machined parallel bearing surfaces at least 12.5 mm thick and of sufficient area to provide at least 10 mm clearance between the edge of the specimen and any edge of the platen.
- 3.3 Vertical displacement measuring system, to allow the measurement of the vertical displacement at the centre of the specimen. The system can use a dial gauge conforming with the requirements of ISO 463 or JIS B 7503, which has a scale interval of 0.01 mm and a minimum range of 30 mm, or a displacement transducer or any equivalent system of at least equal performance.
- 3.4 Force application assembly, incorporating a spherical seat.
- 3.5 Glass beaker, or similar heat resistant container having a capacity of approximately 5 L (Note 7.1).
- 3.6 Hotplate, with temperature control capable of maintaining a temperature of at least 110°C (Note 7.1).

4 Procedure

The procedure shall be as follows:

4.1 Sample Preparation

- 4.1.1 For self-expanding cork joint fillers only, boil a 120 mm x 120 mm sample for 1 hour (using the glass beaker and hot plate) and air dry for 24 hours.
- 4.1.2 Cut a test specimen, 100 mm square (tolerance ± 0.5 mm), from the preformed joint filler such that each edge is freshly cut.

4.2 Testing

- 4.2.1 Locate the lower and upper compression platens centrally on the lower platen of the testing machine. Place the displacement measuring system above the centre of the upper platen and record the dial gauge reading (d_1).
- 4.2.2 Raise the upper platen by hand and locate the test specimen centrally between the platens. Record the dial gauge reading (d_2).

- 4.2.3 Using the force application assembly, apply and record the maximum force (F) necessary to compress the specimen to 50 per cent of its original thickness (Note 7.2).
- 4.2.4 Immediately remove the force from the specimen and allow it to recover for 30 minutes with the upper platen, the displacement measuring system and the load application assembly in place.
- 4.2.5 Repeat Steps 4.2.3 and 4.2.4 applying sufficient force to again achieve a compression of 50 per cent of the original thickness.
- 4.2.6 Compress the test specimen a third time by repeating Step 4.2.5.
- 4.2.7 Immediately remove the force, disassemble the testing apparatus and allow the specimen to recover unrestrained for 24 hours.
- 4.2.8 At the end of the recovery period, locate the lower and upper compression platens on a flat surface such as the lower platen of the testing machine. Place the displacement measuring system above the centre of the upper platen and record the dial gauge reading (d₃).
- 4.2.9 Raise the upper platen by hand and locate the recovered test specimen centrally between the platens. Record the dial gauge reading (d₄).

5 Calculations

Calculate shall be as follows:

- 5.1 Calculate the applied stress (S) as follows:

$$S = \frac{F}{A}$$

- where S = applied stress (MPa)
- F = force required to achieve 50% thickness (N)
- A = area of test specimen (mm²) (taken as 10,000 mm²)

- 5.2 Calculate the percentage recovery (R) as follows:

$$R = \frac{100(d_4 - d_3)}{d_2 - d_1}$$

- where R = recovery (%)
- d₄ = dial gauge reading for upper platen with recovered specimen (mm)
- d₃ = dial gauge reading for upper platen after testing (mm)
- d₂ = dial gauge reading for upper platen with untested specimen (mm)
- d₁ = dial gauge reading for upper platen before testing (mm)

6 Reporting

The following shall be reported:

- 6.1 Applied stress to the nearest 0.1 MPa.
- 6.2 Percentage recovery to the nearest 0.5%.

6.3 The number of this test method, that is Q460A

7 Notes on method

7.1 The glass beaker and hotplate are only required when a self-expanding cork joint filler is to be tested.

7.2 The dial gauge reading corresponding to 50 per cent compression is calculated as follows:

$$d_{50} = d_1 + \frac{(d_2 - d_1)}{2}$$

where d_{50} = dial gauge or transducer reading corresponding to 50% compression (mm)

d_1 = dial gauge reading for upper platen before testing (mm)

d_2 = dial gauge reading for upper platen with untested specimen (mm)

Test Method Q460B: Extrusion of preformed joint filler

1 Source

This method is based on ASTM D545-84: *Preformed expansion joint fillers for concrete construction (non-extruding and resilient types)*, Section 7.3: *Extrusion, with only minor variations*.

2 Scope

This method describes the procedure for determining the extrusion of preformed joint filler when subjected to a compressive force under specified conditions.

3 Apparatus

Where appropriate, the working tolerances of particular apparatus are contained in Table 1.

The following apparatus is required:

- 3.1 Compression testing machine, at least Class A as defined in AS 2193, with a moveable lower platen which travels at a uniform vertical rate of 1.3 mm/minute when measured loaded.
- 3.2 Metal mould with a base of 100 mm x 100 mm, a thickness of 11 mm, and three sides which are at least 50 mm high and 5 mm thick (Note 7.1).
- 3.3 Compression platen, having machined parallel bearing surfaces 100 mm x 100 mm and at least 5 mm thick (Note 7.1).
- 3.4 Vertical displacement measuring system, to allow the measurement of the vertical displacement at the centre of the specimen. The system can use a dial gauge conforming with the requirements of ISO 463 or JIS B 7503, which has a scale interval of 0.01 mm and a minimum range of 30 mm, or a displacement transducer of at least equal performance.
- 3.5 Force application assembly, incorporating a spherical seat.
- 3.6 Horizontal displacement measuring system, to allow the measurement of the horizontal displacement of the specimens. The system can use a dial gauge conforming with the requirements of ISO 463 or JIS B 7503, which has a scale interval of 0.01 mm and a minimum range of 10 mm, and is fitted with a disk shaped contact and mounted on a stand, or other suitable assembly to allow the horizontal displacement of the specimen to be measured.
- 3.7 Glass beaker, or similar heat resistant container having a capacity of approximately 5 L (Note 7.2).
- 3.8 Hotplate, with temperature control capable of maintaining a temperature of at least 110°C (Note 7.2).

4 Procedure

The procedure shall be as follows:

4.1 Sample preparation

- 4.1.1 For self-expanding cork joint fillers only, boil a 120 mm x 120 mm sample for 1 hour (using the glass beaker and hot plate) and air dry for 24 hours.
- 4.1.2 Cut a test specimen, 100 mm square (tolerance ± 0.5 mm), from the preformed joint filler such that each edge is freshly cut.

4.2 Testing

- 4.2.1 Locate the mould and compression platen centrally on the lower platen of the testing machine. Place the vertical measuring system above the centre of the compression platen and record the dial gauge reading (d_1).
- 4.2.2 Remove the compression platen and place the specimen in the mould. Replace the platen and align it such that it is flush with the open side of the mould and is centrally located between the adjacent sides. Record the dial gauge reading (d_2).
- 4.2.3 Locate the horizontal measuring system such that the contact is touching the free edge of the specimen. Record the dial gauge reading (d_3).
- 4.2.4 Using the load application assembly, apply and record the force necessary to compress the specimen to 50 per cent of its original thickness (Note 7.3).
- 4.2.5 Immediately read and record the reading (d_4) of the dial gauge in the horizontal system being used to measure extrusion of the specimen.

5 Calculations

Calculate the extrusion as follows:

$$E = d_3 - d_4$$

- where E = extrusion (mm)
- d_3 = dial gauge reading before compression (mm)
- d_4 = dial gauge reading after compression (mm)

6 Reporting

- 6.1 Report the extrusion to the nearest 0.01 mm.
- 6.2 The number of this test method, that is Q460B.

7 Notes on method

- 7.1 The compression platen is required to fit firmly into the mould without binding with any side.
- 7.2 The glass beaker and hotplate are only required when a self-expanding cork joint filler is to be tested.
- 7.3 The dial gauge reading corresponding to 50 per cent compression is calculated as follows:

$$d_{50} = d_1 + \frac{(d_2 - d_1)}{2}$$

- where d_{50} = dial gauge or transducer reading corresponding to 50% compression (mm)
- d_1 = dial gauge reading for upper platen before testing (mm)
- d_2 = dial gauge reading for upper platen with untested specimen (mm)

Table 1 – Working tolerances for apparatus

Apparatus	Value	Tolerance
Mould – base		
Width (mm)	100	+ 0.4, - 0.0
Length (mm)	100	+ 0.4, - 0.0
Thickness (mm)	11	+ 0.4, - 0.0
Mould – sides		
Height (mm)	50	+ 0.4, - 0.0
Thickness (mm)	5	+ 0.4, - 0.0
Compression platen		
Width (mm)	100	+ 0.4, - 0.0
Length (mm)	100	+ 0.4, - 0.0
Thickness (mm)	5	minimum

Test Method Q460C: Expansion of preformed self-expanding joint filler

1 Source

This method is based on ASTM D545-84: *Preformed expansion joint fillers for concrete construction (non-extruding and resilient types)*, Section 7.1: *Expansion in boiling water, with only minor variations*.

2 Scope

This method describes the procedure for determining the expansion of self-expanding joint filler in boiling water.

3 Apparatus

The following apparatus is required:

- 3.1 Glass beaker, or similar heat resistant container having a capacity of approximately 5 L.
- 3.2 Hotplate, with temperature control capable of maintaining a temperature of at least 110°C.
- 3.3 Digital calliper, with a resolution of at least 0.1 mm and conforming with the requirements of ISO 13385-1 or JIS B 7507.

4 Procedure

The procedure shall be as follows:

4.1 Sample preparation

Cut two test specimens, 114 mm square (tolerance ± 2.5 mm), from the self-expanding joint filler such that each edge is freshly cut.

4.2 Testing

- 4.2.1 Measure and record the average initial thickness of each test specimen to the nearest 0.1 mm (t_1).
- 4.2.2 Half fill the beaker with water and bring to the boil.
- 4.2.3 Immerse one of the specimens in the boiling water for 1 hour.
- 4.2.4 At the end of this period, remove the specimen and allow it to cool at room temperature for 15 minutes.
- 4.2.5 Measure and record the average thickness of the specimen to the nearest 0.1 mm (t_2).
- 4.2.6 Repeat Steps 4.2.2 to 4.2.5 for the second specimen.

5 Calculations

Calculations shall be as follows:

- 5.1 Calculate the percentage expansion for each specimen as follows:

$$E = \frac{100(t_2 - t_1)}{t_1}$$

where E = expansion (%)
t₂ = average final thickness of specimen (mm)
t₁ = average initial thickness of specimen (mm)

- 5.2 Calculate the expansion as the average expansion for the two specimens.

6 Reporting

- 6.1 Report the expansion of the self-expanding joint filler to the nearest 1%.
6.2 The number of this test method, that is Q460C.

Test Method Q460D: Accelerated weathering of preformed joint filler

1 Source

This method is based on ASTM D545-67: Preformed expansion joint fillers for concrete construction (non-extruding and resilient types), with only minor variations.

2 Scope

This method describes the procedure for determining the weathering resistance of joint filler materials.

3 Apparatus

The following apparatus is required:

- 3.1 Drying oven, capable of maintaining a temperature of $75 \pm 1^\circ\text{C}$.
- 3.2 Cabinet, capable of maintaining a temperature between -10°C and -20°C .
- 3.3 Water bath, capable of maintaining a temperature between 20°C and 40°C .
- 3.4 Metal test container, at least 100 mm deep and 120 mm in diameter.
- 3.5 Glass beaker, or similar heat resistant container having a capacity of approximately 5 L (Note 6.1).
- 3.6 Hotplate, with temperature control capable of maintaining a temperature of at least 110°C (Note 6.1).
- 3.7 Clamps, for holding the test specimens in the metal test container.

4 Procedure

The procedure shall be as follows:

4.1 Sample preparation

- 4.1.1 For self-expanding cork joint fillers only, boil a 120 mm x 120 mm sample for 1 hour (using the glass beaker and hot plate) and air dry for 24 hours.
- 4.1.2 Cut a test specimen, 100 mm square (tolerance ± 0.5 mm), from the preformed joint filler such that each edge is freshly cut.

4.2 Testing

- 4.2.1 Place the two test specimens in the oven for a period of 7 days.
- 4.2.2 At the end of this period, remove the specimens and immerse them in a partly filled beaker of water at room temperature for 24 hours.
- 4.2.3 Place the specimens on edge in the metal test container and clamp them securely in position such that they are not in contact with each other.
- 4.2.4 Partly fill the container with water to a depth of 50 mm (half the depth of the specimens), then place the container in the cabinet until the water has frozen.
- 4.2.5 Remove the container from the cabinet and partly immerse the container in the water bath until the ice in the test container has completely melted.
- 4.2.6 Repeat Steps 4.2.4 to 4.2.5 until 10 cycles have been completed.

- 4.2.7 At the completion of the last cycle, remove the specimens from the container and allow them to stand at room temperature for 48 hours.
- 4.2.8 Examine each specimen and record details of any evidence of disintegration.

5 Reporting

Report any evidence of disintegration of each specimen.

6 Notes on method

- 6.1 The glass beaker and hotplate are only required when a self-expanding cork joint filler is to be tested.

Test Method Q460E: Resistance to heat degradation of closed cell foam joint filler

1 Source

This method applies the principles of RMS Test Method T1154: *Resistance to heat degradation of closed cell foam joint filler*. It differs from this method in that details for the making and curing of the mortar blocks are included.

2 Scope

This method describes the procedure for determining the resistance of closed cell foam joint filler to degradation from contact with hot poured joint sealant when using these materials together in a formed joint system.

3 Apparatus

The following apparatus is required:

- 3.1 Mortar moulds, 50 mm x 50 mm and 25 mm thick.
- 3.2 Glass plate, at least 150 mm x 150 mm.
- 3.3 Masking tape, 25 mm wide.
- 3.4 Scalpel, or similar sharp cutting tool.
- 3.5 Heating container and lid, made of metal with a diameter of approximately 100 mm, a depth of approximately 150 mm and a maximum wall thickness of 1 mm. The lid must have access holes for a thermometer and a mechanical stirrer.
- 3.6 Mechanical stirrer and stand.
- 3.7 Thermometer, a partial or total immersion thermometer or other suitable temperature measuring device having a temperature range of at least 0°C–300°C and graduated to 5°C or less with an uncertainty of no more than 5°C.
- 3.8 Oil bath, containing silicone oil or an oil with a flash point in excess of 285°C, equipped with a mechanical stirrer.
- 3.9 Ruler, with a scale interval of 0.5 mm.
- 3.10 Trowel, made of steel with a blade approximately 100 mm–150 mm long.
- 3.11 Tamper, made of a rubber compound with a Shore A hardness of 80 ± 10 or of seasoned hardwood which has been immersed in paraffin wax at 200°C for 15 minutes. The tamper shall have a rectangular face, 13 mm x 25 mm, which is at right angles to the length of the tamper. A convenient tamper length is 125 mm to 150 mm.

4 Materials

The following materials are required:

- 4.1 Mould oil, a light oil such as Caltex Mould Oil 20 (Notes 7.1 and 7.2).
- 4.2 Hot poured joint sealant (Note 7.1).
- 4.3 Release agent, for example, Potash soap (Note 7.1).
- 4.4 General purpose cement (GP).

- 4.5 Sand.
- 4.6 Water.
- 4.7 Masking tape.

5 Procedure

The procedure shall be as follows:

5.1 Preparation of cement mortar test blocks

- 5.1.1 Lightly oil two moulds, base plates and covers.
- 5.1.2 Mix 1 part of GP cement with 1.5 parts of sand by mass, adding sufficient water to the mixture to produce a consistency suitable for tamping. Mix the mortar for approximately 3 minutes.
- 5.1.3 Fill both the moulds in two equal layers, compacting each layer fully using the tamper.
- 5.1.4 Strike off the excess mortar and smooth the surface using the trowel, then place the covers on the moulds.
- 5.1.5 Undertake initial curing and standard moist curing as detailed in AS 1012.8.3, Clause 9.
- 5.1.6 At the completion of at least 7 days standard moist curing, surface dry the mortar blocks so they are ready for the application of the release agent.

5.2 Preparation of hot poured joint sealing compound

- 5.2.1 Heat the oil bath with the heating container fixed into position until the oil temperature is in the range 190°C - 220°C.
- 5.2.2 Melt approximately 250 g of hot poured joint sealant by placing of approximately 50 g pieces of the compound in the heating container at approximately 30 second intervals.
- 5.2.3 Place the lid on the container and insert the thermometer and mechanical stirrer.
- 5.2.4 Commence mixing the joint sealant and continue heating until its temperature is 190°C.

5.3 Sample preparation

- 5.3.1 Cut a test specimen 50 mm long and 25 mm wide from a sample of closed cell foam filler.

5.4 Testing

- 5.4.1 Apply release agent to one 50 mm square face of each cement mortar block.
- 5.4.2 Place the cement blocks on the glass plate such that the coated surfaces are facing each other in the vertical plane and are separated by at least the thickness of the specimen. Locate the test specimen centrally between the blocks such that a face formed by its 50 mm length and thickness is in contact with the glass plate.
- 5.4.3 Apply sufficient pressure to the mortar blocks to ensure there is intimate contact between the blocks and the foam filler. Wrap masking tape around the blocks and the foam filler to form a reservoir 25 mm deep, 50 mm long and having a width equal to the thickness of the specimen.
- 5.4.4 Rapidly fill the reservoir with hot poured sealant and allow the mould to stand for 24 hours at 16°C to 25°C.
- 5.4.5 Remove the filler and sealant from the mould.
- 5.4.6 Place the filler/sealant combination on a flat surface and cut through the two compounds along a line at right angles to the filler/sealer interface.

- 5.4.7 Measure the amount of penetration of the sealant into the filler to the nearest 0.5 mm at a number of locations along the interface.

6 Reporting

Report the following values and general information:

- 6.1 Report the average depth of penetration to the nearest 1 mm as the resistance to heat degradation.
- 6.2 The number of this test method, that is Q460E.

7 Notes on method

- 7.1 Before handling oil, release agent or joint sealant, the operator should consult the relevant SDS.
- 7.2 Other mould oils such as Shellmould P5, Reochem Mould Oil 20 and Caltex Mould Oil 222 have also been found to be suitable.

Test Method Q460F: Resistance to disintegration of preformed cork joint filler

1 Source

This method is based on ASTM D545-84: *Preformed expansion joint fillers for concrete construction (non-extruding and resilient types)*, Section 7.4: *Boiling in hydrochloric acid, with only minor variations*.

2 Scope

This method describes the procedure for assessing the effectiveness of the bonding materials in preformed cork joint fillers used to bond the granulated particles of natural cork.

3 Apparatus

The following apparatus is required:

- 3.1 Glass beaker, having a capacity of at least 5 L (Note 7.1).
- 3.2 Fume cabinet.
- 3.3 Hotplate, with temperature control capable of maintaining a temperature of at least 110°C (Note 7.1).

4 Reagent

The following reagent is required:

- 4.1 Hydrochloric acid, 12.4M (concentrated) (Note 7.2).

5 Procedure

The procedure shall be as follows:

5.1 Sample preparation

- 5.1.1 For self-expanding cork joint fillers only, boil a 120 mm x 120 mm sample for 1 hour (using the glass beaker and hot plate) and air dry for 24 hours.
- 5.1.2 Cut a test specimen, 100 mm square (tolerance ± 0.5 mm), from the preformed joint filler such that each edge is freshly cut.

5.2 Testing

- 5.2.1 Half fill the beaker with hydrochloric acid and bring the acid to the boil using a hotplate located in a fume cabinet with the fume cabinet extraction system operating.
- 5.2.2 Immerse the specimen in the boiling hydrochloric acid for 1 hour.
- 5.2.3 Remove the specimen from the beaker and wash the specimen under running water.
- 5.2.4 Examine the test specimen and note any signs of disintegration, delamination, porosity or dislodged particles of cork.
- 5.2.5 Use the fingers to test for friability, lack of resiliency and resistance to abrasion by rubbing.

6 Reporting

Report any defects, ignoring discolouration and slight swelling.

7 Notes on method

- 7.1 The glass beaker and hotplate are only required when a self-expanding cork joint filler is to be tested.
- 7.2 Before handling concentrated hydrochloric acid, the operator should consult the relevant SDS.

Test Method Q461: Durability of sealant

1 Source

This method is based on RMS Test Method T1192-1992: *Adhesion of sealant*, and RMS Test Method T1193-1991: *Accelerated aging of cured sealant*, with only minor variations.

2 Scope

This method describes the procedure to assess the durability of sealant bonded to a substrate when tested for adhesion and cohesion. The method is applicable to sealant used to seal sawn joints in concrete pavements.

3 Apparatus

The following apparatus is required:

- 3.1 Oven, capable of maintaining a temperature of $70 \pm 3^\circ\text{C}$ within all of the working space or a defined area of sufficient size to accommodate the test specimen assembly.
- 3.2 Refrigerated cabinet, capable of maintaining a temperature of $0 \pm 3^\circ\text{C}$.
- 3.3 Water bath, capable of maintaining a temperature of $35 \pm 1^\circ\text{C}$ and of sufficient size to allow immersion of the test specimen assembly to a depth of at least 20 mm below the surface.
- 3.4 Cabinet, capable of maintaining a temperature of $23 \pm 2^\circ\text{C}$.
- 3.5 Testing machine, capable of applying tensile and compressive forces at a rate of travel of 10 mm/minute.
- 3.6 Mould, made from non-absorbent material that will not react with concrete and be able to cast a concrete prism, 50 mm x 140 mm and about 200 mm long.
- 3.7 Saw, diamond tipped masonry saw.
- 3.8 Spacer blocks, made from non-absorbent material with machined surfaces 13 mm x 20 mm x 31 mm.
- 3.9 Backing foam, 15 mm thick.
- 3.10 Clamps, for example G clamps or quick release clamps.
- 3.11 Tension and compression testing jig, as shown in Figure 1.
- 3.12 Digital calliper, with a resolution of at least 0.1 mm and conforming with the requirements of ISO 13385-1 or JIS B 7507.
- 3.13 Vertical displacement measuring system, to measure the extension and compression of the moulded sealant. The system can use a dial gauge complying with the requirements of ISO 463 or JIS B 7503, with a scale interval of 0.01 mm and a minimum travel of 25 mm, or a displacement transducer of at least equal performance.

4 Materials

The following materials are required:

- 4.1 Release agent, for example, Potash Soap.
- 4.2 Concrete.
- 4.3 Paper towel.

5 Procedure

The procedure shall be as follows:

5.1 Preparation of concrete blocks

- 5.1.1 Mould a concrete prism using at least 40 MPa concrete and allow it to cure for at least 28 days as detailed in AS 1012.8.1.
- 5.1.2 Cut 6 concrete blocks from the prism using the masonry saw, such that each block has 2 flat cut faces, 50 mm x 140 mm, and is approximately 25 mm thick.
- 5.1.3 Condition the blocks using one of the following methods:
 - a) dry blocks: allow the blocks to dry at room temperature for 7 days after cutting
 - b) dry abraded blocks: allow the blocks to dry at room temperature for 7 days after cutting, then blast one flat surface (the bonding face) on each block with grit abrasive, or
 - c) saturated surface-dry blocks: immerse the blocks in water at room temperature for 2 hours, then remove the blocks and blot them dry with folded paper towel to remove surface water.

5.2 Moulding of sealant

Mould 3 specimens of sealant as detailed below:

- 5.2.1 Apply the release agent to a 13 mm x 31 mm surface of each spacer block, that is, the face that will contact the sealant.
- 5.2.2 Cut a strip from the 15 mm thick backing foam, 100 mm x 19 mm (tolerance ± 0.5 mm). Apply release agent to the 100 mm x 15 mm face that will contact the sealant.
- 5.2.3 Assemble the concrete blocks, spacer blocks and foam using the clamps to hold the components in place such that a formed cavity 100 mm long, 13 mm wide and 12 mm deep between the blocks after compressing the foam to a thickness of 13 mm. Refer to Figure 2.
- 5.2.4 Prepare the sealant according to the manufacturer's instructions and fill the cavity with sealant to the top of the spacer blocks.
- 5.2.5 Allow the sealant to cure for 7 days at $23 \pm 2^\circ\text{C}$ before removing the spacer blocks and backing foam.

5.3 Aging

Age the 3 specimens of sealant as detailed below:

- 5.3.1 Air cure the test specimen assemblies in the oven for 72 hours at $70 \pm 3^\circ\text{C}$.
- 5.3.2 Air cure the test specimen assemblies in the refrigerated cabinet for 24 hours at $0 \pm 3^\circ\text{C}$.
- 5.3.3 Submerge the test specimen assemblies in the water bath and cure for 48 hours at $35 \pm 1^\circ\text{C}$.
- 5.3.4 Air cure the test specimen assemblies for 24 hours at $23 \pm 2^\circ\text{C}$.

5.4 Testing

- 5.4.1 Measure the distance between the faces of the concrete blocks for one of the test specimen assemblies by taking at least three measurements along the top surface of the sealant and three measurements along the bottom surface.
- 5.4.2 Place the test specimen assembly in the testing jig and secure the concrete blocks firmly in the jaws.

- 5.4.3 Attach the testing jig to the testing machine maintaining the distance between the blocks as measured in Step 5.4.1.
- 5.4.4 Cycle the sealant specimen through 100 cycles of 70 per cent extension and 50 per cent compression as measured by the displacement measuring system (Note 7.2).
- 5.4.5 During the extension and compression cycles, monitor the specimen for cohesion failure or adhesion failure as follows:
- a) cohesion Failure - assess the extent of any cracking of the specimen during compression using a fine wire such as a straightened paper clip to probe the depth of any crack. Where the degree of failure is equal to or greater than 10 percent of the cross-sectional area of the specimen, record the specimen as a fail, or
 - b) adhesion Failure - assess the extent of any debonding at both sealant/concrete block interfaces. Again, use a fine wire such as a straightened paper clip to probe the extent of any debonding. Where the degree of failure at either interface equal to or greater than 10 percent of the cross-sectional area of the specimen, record the specimen as a fail.
- 5.4.6 Repeat Steps 5.4.1 to 5.4.5 for the remaining two test specimen assemblies. If no more than one specimen fails the test, the sealant is acceptable. Otherwise the sealant is unacceptable.

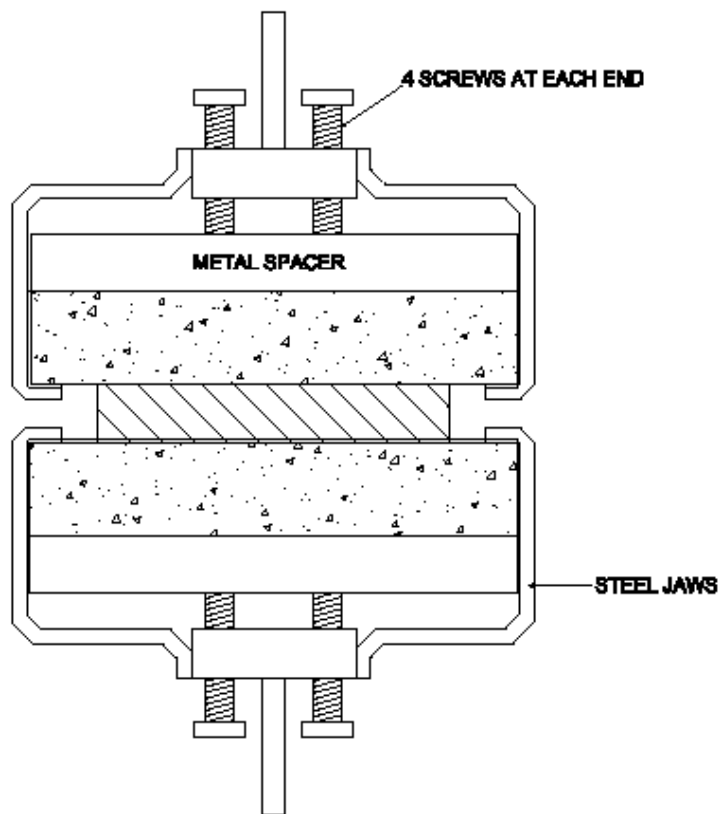
6 Reporting

- 6.1 Report the durability of the sealant as either acceptable or unacceptable.
- 6.2 The number of this test method, that is Q461.

7 Notes on method

- 7.1 Before handling release agent or concrete, the operator should consult the relevant SDS.
- 7.2 The extension and compression are determined from the specimen width measured in Step 5.4.1.

Figure 1 – Testing jig



LEGEND

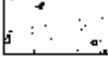

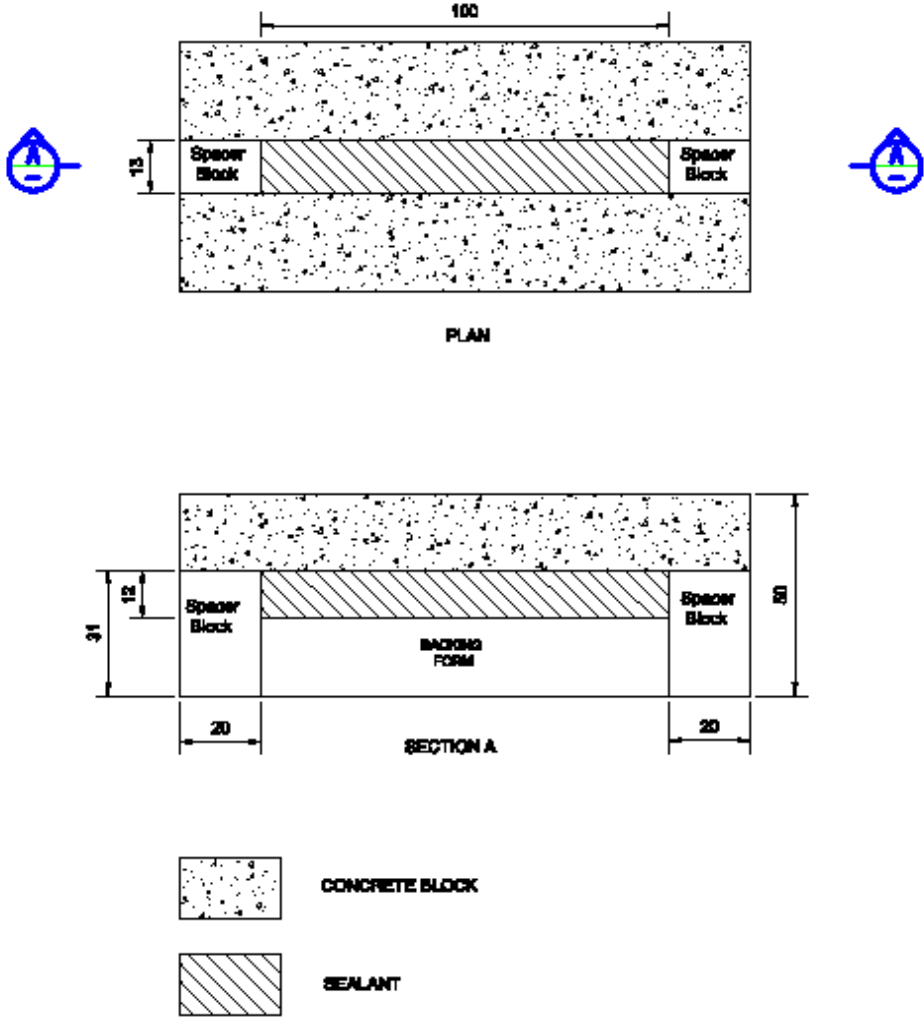
- | | |
|---|-----------------------|
|  | CONCRETE BLOCK |
|  | SEALANT |

Figure 2 – Test specimen assembly



Test Method Q462: Resistance of vulcanised rubber to the absorption of oil

1 Source

This method is based on ASTM D471-96: *Rubber property – Effects of liquids*, Section 10: *Procedure for change in mass*, with only minor variations.

2 Scope

This method describes the procedure for determining the resistance of vulcanized rubber to absorption and consequent swelling when immersed in a standard oil.

3 Apparatus

The following apparatus is required:

- 3.1 Balance of suitable capacity, having a resolution of at least 0.0001 g and with a limit of performance within the range of ± 0.0005 g.
- 3.2 Test tube, having a diameter of 38 mm and a length of 300 mm fitted with a stopper.
- 3.3 Frame, for holding the test specimens in the test tube, for example, a wire frame with a horizontal arm.
- 3.4 Water bath, capable of maintaining a temperature of $50 \pm 2^\circ\text{C}$.
- 3.5 Petri dish.

4 Materials

The following materials are required:

- 4.1 Standard oil, IRM 903 (Note 8.1).
- 4.2 Acetone (Note 8.1).

5 Procedure

The procedure shall be as follows:

5.1 Sample Preparation

- 5.1.1 Cut three test specimens from the rubber sample, 25 mm x 50 mm (tolerance ± 0.5 mm) with a thickness of 2.0 ± 0.1 mm. Test samples with a thickness less than specified as received. Buff the samples with a thickness above the upper tolerance to a thickness of 2.0 ± 0.1 mm.
- 5.1.2 Drill a small hole in each specimen near one end to allow the suspension of the specimens in the test tube.

5.2 Testing

- 5.2.1 Determine the mass of each test specimen (m_1).
- 5.2.2 Pour 100 mL of oil into the test tube.
- 5.2.3 Suspend the test specimens from the frame and immerse the specimens in the oil.
- 5.2.4 Stopper the test tube and place the test tube in the water bath for 22 hours at 50°C .
- 5.2.5 At the end of the immersion period, remove the specimens from the oil and allow them to cool in a container of clean oil at room temperature for 30 to 60 minutes.

5.2.6 After cooling, dip each specimen in turn in acetone, blot lightly with filter paper and place immediately in a petri dish of known mass (m_2).

5.2.7 Determine the mass of each specimen and petri dish (m_3).

6 Calculations

Calculations shall be as follows:

6.1 Calculate the gain in mass for each specimen as a percentage of its original mass as follows:

$$M = \frac{m_3 - m_2 - m_1}{m_1} 100$$

where M = gain in mass (%)
 m_3 = mass of oil soaked specimen and petri dish (g)
 m_2 = mass of petri dish (g)
 m_1 = mass of untested specimen (g)

7 Reporting

Report the average mass gain as the oil absorption to the nearest 0.5%.

8 Notes on method

8.1 Before handling oil or acetone, the operator should consult the relevant SDS.

Test Method Q463A: High temperature recovery of preformed polychloroprene elastomeric joint seals

1 Source

This method is based on RMS T1161: *High temperature recovery of polychloroprene elastomeric joint seals for bridge structures*, with only minor variations.

2 Scope

This method describes the procedure for determining the high temperature recovery of compressed polychloroprene elastomeric seals used for bridge structures.

3 Apparatus

The following apparatus is required:

- 3.1 Digital calliper, with a resolution of at least 0.2 mm and complying with the requirements of ISO 13385-1 or JIS B 7507.
- 3.2 Compression plates, 125 mm x 200 mm, at least 5 mm thick and chrome plated or otherwise protected from corrosion. The plates shall be drilled at each corner and fitted with 10 mm diameter bolts and nuts.
- 3.3 Oven, capable of maintaining a temperature of $100 \pm 1^\circ\text{C}$.
- 3.4 Room, capable of maintaining a temperature of $23 \pm 2^\circ\text{C}$.

4 Procedure

The procedure shall be as follows:

4.1 Sample Preparation

Cut a test specimen 125 mm long from the joint seal.

4.2 Testing

- 4.2.1 Measure and record the width (w_1) of the test specimen at the centre of the top surface of the seal, that is, the face to be exposed to traffic. Mark the position where the measurement was made.
- 4.2.2 Place the test specimen centrally between the compression plates such that the top surface is at right angles to the plates and the longitudinal axis of the specimen is parallel to the longitudinal axes of the compression plates.
- 4.2.3 Compress the joint seal uniformly between the compression plates by tightening the nuts on the bolts, ensuring that the top surface of the seal folds inwards towards the centre of the specimen. Continue until the specimen has been compressed to 50 per cent of its original thickness.
- 4.2.4 Place the compressed specimen in the oven for 72 hours.
- 4.2.5 At the end of the 72 hour period, remove the specimen from the oven, unclamp the compression plates and allow the specimen to recover at 23°C for 1 hour.
- 4.2.6 Immediately measure the recovered width (w_2) of the marked centre position of the specimen.

5 Calculations

Calculate the percentage recovery as follows:

$$R = \frac{w_2}{w_1} 100$$

where R = high temperature recovery (%)
w₂ = recovered specimen width (mm)
w₁ = original specimen width (mm)

6 Reporting

- 6.1 Report the high temperature recovery to the nearest 0.5%.
- 6.2 The number of this test method, that is Q463A.

Test Method Q463B: Low temperature recovery of preformed polychloroprene elastomeric joint seals

1 Source

This method is based on RMS T1160: *Low temperature recovery of polychloroprene elastomeric joint seals for bridge structures*, with only minor variations.

2 Scope

This method describes the procedure for determining the low temperature recovery of compressed polychloroprene elastomeric seals used for bridge structures.

3 Apparatus

The following apparatus is required:

- 3.1 Digital calliper, with a resolution of at least 0.2 mm and conforming with the requirements of ISO 13385-1 or JIS B 7507.
- 3.2 Compression plates, 125 mm x 200 mm, at least 5 mm thick and chrome plated or otherwise protected from corrosion. The plates shall be drilled at each corner and fitted with 10 mm diameter bolts and nuts.
- 3.3 Refrigerated cabinet, capable of maintaining both a temperature of $-10 \pm 1^\circ\text{C}$ and a temperature of $-29 \pm 1^\circ\text{C}$.

4 Procedure

The procedure shall be as follows:

4.1 Sample preparation

- 4.1.1 Cut two test specimens, each 125 mm long, from the joint seal.

4.2 Testing

- 4.2.1 Measure and record the width (w_1) of one of the test specimens at the centre of the top surface of the seal, that is the face to be exposed to traffic. Mark the position where the measurement was made.
- 4.2.2 Place the test specimen centrally between the compression plates such that the top surface is at right angles to the plates and the longitudinal axis of the specimen is parallel to the longitudinal axes of the compression plates.
- 4.2.3 Compress the joint seal uniformly between the compression plates by tightening the nuts on the bolts, ensuring that the top surface of the seal folds inwards towards the centre of the specimen. Continue until the specimen has been compressed to 50 per cent of its original width.
- 4.2.4 Place the compressed specimen in the refrigerated cabinet and maintain it at a temperature of $-10 \pm 1^\circ\text{C}$ for 72 hours.
- 4.2.5 At the end of the 72 hour period, unclamp the specimen and allow it to recover in the cabinet at $-10 \pm 1^\circ\text{C}$ for 1 hour.
- 4.2.6 Immediately measure the recovered width (w_2) at the marked centre position on the specimen.

- 4.2.7 Repeat Steps 4.2.1 to 4.2.3 for the second specimen but recording the original measured width as (w_3).
- 4.2.8 Place the compressed specimen in the refrigerated cabinet and maintain it at a temperature of $-29 \pm 1^\circ\text{C}$ for 22 hours.
- 4.2.9 At the end of the 22 hour period, unclamp the specimen and allow it to recover in the cabinet at $-29 \pm 1^\circ\text{C}$ for 1 hour.
- 4.2.10 Immediately measure the recovered width of the marked centre position on the specimen (w_4).

5 Calculations

Calculations shall be as follows:

- 5.1 Calculate the percentage recovery at -10°C as follows:

$$R_{-10} = \frac{w_2}{w_1} 100$$

where R_{-10} = recovery at test temperature -10°C (%)

w_2 = recovered specimen width (mm)

w_1 = original specimen width (mm)

- 5.2 Calculate the percentage recovery at -29°C as follows:

$$R_{-29} = \frac{w_4}{w_3} 100$$

where R_{-29} = recovery at test temperature -29°C (%)

w_4 = recovered specimen width (mm)

w_3 = original specimen width (mm)

6 Reporting

- 6.1 Report the low temperature recoveries at the test temperatures of -10°C and -29°C to the nearest 0.5%.
- 6.2 The number of this test method, that is Q436B.

Test Method Q470: Coefficient of thermal expansion of concrete

1 Source

This method was developed in-house using techniques evolved through internal departmental research investigations.

2 Scope

This method describes the procedure for determining the coefficient of thermal expansion of concrete prisms when measured over a temperature range of -10°C to 45°C.

3 Apparatus

The following apparatus is required:

- 3.1 Thermocouple and indicator, Type T thermocouple and an indicator with a minimum range of -15°C to 50°C, readable to at least 0.1°C and with an uncertainty of no more than 0.1°C.
- 3.2 Drying room, as detailed in AS 1012.13 Section 5.
- 3.3 Length Comparator, as detailed in AS 1012.13 Section 5.
- 3.4 Drying oven, capable of maintaining a temperature of 45°C to 50°C.
- 3.5 Refrigerated cabinet, capable of maintaining a temperature of approximately -10°C.

4 Procedure

The procedure shall be as follows:

4.1 Moulding and Curing

- 4.1.1 Cast three concrete prisms, 100 mm x 100 mm x 250 mm as detailed in AS 1012.8.4 Sections 5 and 6 with a Type T thermocouple cast into the centre of one prism.
- 4.1.2 At the completion of initial curing, demould the specimens and moist cure them at $27 \pm 2^\circ\text{C}$ for 7 days as detailed in AS 1012.8.4.
- 4.1.3 At the completion of standard moist curing, place the specimens in the drying room for 21 days.
- 4.1.4 At the completion of the drying period, measure each specimen using the comparator and note the reading together with the specimen temperature.

4.2 Conditioning

- 4.2.1 Place each prism in a separate plastic bag such that the air gap is reduced to a minimum and seal each bag, but allowing the thermocouple wires to protrude.
- 4.2.2 Place the prisms in the oven and monitor the temperature of the instrumented prism until it reaches an equilibrium (Note 7.1).
- 4.2.3 When an equilibrium is reached, remove the prisms one at a time from the oven, remove the plastic bag and measure and note the length (l_1), together with the specimen temperature (T_1).
- 4.2.4 Reseal each prism in its plastic bag as detailed in Step 4.2.1, place the specimens in the refrigerated cabinet and leave for at least 12 hours.

- 4.2.5 Remove the prisms one at a time from the cabinet, remove the plastic bag, and measure and note the length (l_2) of each, together with the specimen temperature (T_2) of the instrumented prism.
- 4.2.6 Reseal each prism in its plastic bag as detailed in Step 4.2.1, place the specimens in the drying room and leave for at least 12 hours.
- 4.2.7 Remove each prism from its bag in turn and measure and note its length together with the temperature of the instrumented prism. Return the prisms to their plastic bags and seal.

4.3 Testing

- 4.3.1 At the completion of the conditioning cycle, repeat Steps 4.2.2 to 4.2.5 but recording the values of (l) and (T) for use in the calculations below.

5 Calculations

- 5.1 Calculate the coefficient of thermal expansion as follows:

$$\alpha = \frac{10^6(l_1 - l_2)}{L(T_1 - T_2)} - \alpha^1$$

- where
- α = coefficient of thermal expansion ($\mu\epsilon/^\circ\text{C}$)
 - α^1 = coefficient of thermal expansion of the gauge studs ($\mu\epsilon/^\circ\text{C}$) taken as $9 \mu\epsilon/^\circ\text{C}$
 - l_1 = specimen length at temperature (T_1) (mm)
 - l_2 = specimen length at temperature (T_2) (mm)
 - L = gauge length (mm) taken as 250 mm
 - T_1 = temperature of specimen after storage in the oven ($^\circ\text{C}$)
 - T_2 = temperature of specimen after storage in the refrigerated cabinet ($^\circ\text{C}$)

6 Reporting

Report the coefficient of thermal expansion to the nearest $10 \mu\epsilon/^\circ\text{C}$.

7 Notes on method

- 7.1 An equilibrium should be reached in 6 hours.

Test Method Q471: Making, curing and testing moulded concrete specimens - field simulated curing

1 Source

This method is based on RMS Test method T367: *Field simulated curing and testing of moulded concrete specimens*, with only minor variations.

2 Scope

This method describes the procedure to mould specimens of base course concrete and simulate the curing of these specimens in the field prior to determining compressive strength.

3 Apparatus

The following apparatus is required:

- 3.1 Spray bottle.
- 3.2 Shovel.
- 3.3 Steel rule or tape measure.
- 3.4 Thermometer, maximum and minimum reading thermometer or other suitable temperature measuring device, having a range of at least 0 - 50°C and graduated to 1°C or less with an uncertainty of no more than 1°C.
- 3.5 Vacuum desiccator.
- 3.6 Vacuum pump.

4 Materials

The following materials are required:

- 4.1 Concrete curing compound.
- 4.2 Bedding material such as sand or gravel.

5 Procedure

The procedure shall be as follows:

5.1 Sampling and moulding

- 5.1.1 Select the batch to be sampled within the lot under consideration using Random Sampling: Selection of Location – Interval (unless otherwise specified) as detailed in Test Method Q050.
- 5.1.2 Sample a batch of concrete which is to be incorporated into the works as detailed in Test Method AS 1012.1.
- 5.1.3 Mould test specimens as detailed in Test Method AS 1012.8.1 except that the mould covers are not to be fitted at the completion of moulding.

5.2 Simulated curing

- 5.2.1 After moulding and the disappearance of bleed water, spray the top surface of the specimens with a curing compound, using the same type and application rate as used in the works.
- 5.2.2 Cure the specimens either adjacent to the concrete pavement which is represented or at the place of specimen moulding. The location must duplicate the conditions of temperature,

moisture and wind to which the pavement is subjected, and the specimens must not be subjected to any artificial curing conditions nor protected from any natural ambient conditions. The top surfaces of the specimens are to be left exposed to ambient conditions unless the pavement is afforded cover and protection, in which case such protective treatment is to be duplicated in all regards for the specimens.

5.2.3 Within 6 hours of moulding, bed the specimens in bedding material to a level of 5 ± 5 mm below the top of the specimens. Extend the bedding to a horizontal distance of not less than 300 mm beyond the mould edge and grade the surface away from the specimen at not less than 2 percent such that water drains away. The bedding must not be treated in any way which is likely to provide artificially favourable curing conditions (Note 8.1).

5.2.4 Specimens are to remain undisturbed for a period as directed by the Principal. During this time, record details of weather conditions including daily maximum and minimum temperatures.

5.3 Preconditioning

5.3.1 At the completion of the simulated curing, remove the specimens from the bedding material. Immediately cover the trowelled surfaces using mould covers or, for previously demoulded specimens, plastic bags. Transport the specimens to the laboratory such that they are not damaged in transit nor subjected to any artificial temperature conditions.

5.3.2 Demould or remove specimens from their plastic bags and wet-condition each specimen using one of the following methods:

- a) immerse the specimens in water at $27 \pm 2^\circ\text{C}$ for 24 ± 4 hours, or
- b) vacuum saturate the specimens by immersing in water in a desiccator and applying a partial vacuum of 13 kPa or less absolute pressure for 3 hours (Note 8.2).

5.4 Testing

5.4.1 At the completion of wet-conditioning, assess the specimens for acceptance as detailed in AS 1012.9, Section 4.

5.4.2 Determine the saturated surface-dry density of each specimen as detailed in Test Method Q473.

5.4.3 Cap the specimens and determine their unconfined compressive strength as detailed in AS 1012.9, Sections 5 to 8.

6 Calculations

Undertake calculations as detailed in Test Method Q473 and AS 1012.9.

7 Reporting

The following shall be reported:

7.1 The density, compressive strength and general information as detailed in Test Method Q473 and AS 1012.9.

7.2 Duration of field simulated curing.

7.3 The daily maximum and minimum temperatures, together with details of daily weather conditions.

7.4 Wet conditioning method used.

7.5 Details of the concrete lot that the test results represent.

8 Notes on method

8.1 The specimens can remain in their moulds during the entire simulation period. Alternatively, they may be demoulded after 18 hours of curing provided the specimens are tightly wrapped in a dry water tight plastic bag while leaving the trowelled surface exposed and then returned to the sand/gravel bedding within 30 minutes of demoulding. During this time, maintain the specimens in a constant condition of moisture at ambient temperature.

8.2 A partial vacuum of 13 kPa absolute pressure is approximately equivalent to a -88 kPa reading on a vacuum gauge at sea level.

Test Method Q473: Density of hardened concrete – water displacement

1 Source

This method combines the principles of RMS Test Method T368 – *Draft: Dressing of voids in concrete specimens and adjustment for embedded steel*, and of AS 1012.12.2: *Determination of mass per unit volume of hardened concrete – Water displacement method*; with only minor variations.

2 Scope

This method describes the procedure for the determination of the density of hardened concrete using a water displacement method. The method allows for testing of moulded and cored specimens for concrete pavements, but may be also applicable to other situations. The method provides for the inclusion of surface voids in the calculation of density and for the adjustment of the measured value for any embedded reinforcing steel, and is applicable to specimens having a diameter of 100 mm or larger.

3 Apparatus

The following apparatus is required:

- 3.1 Balance of suitable capacity, with a resolution of 1 g, with a limit of performance within the range of ± 5 g and capable of below balance weighing.
- 3.2 Balance bench, equipped with a hole for below balance weighing.
- 3.3 Thermometer, total immersion or other suitable temperature measuring device having a temperature range which includes the test temperature, and graduated to 1°C or less with an uncertainty of no more than 1.0°C.
- 3.4 Water container, fitted with an overflow and of suitable dimensions to allow the complete immersion of the sample without contacting any part of the container.
- 3.5 Attachment, a non-absorbent device to suspend the concrete specimen, for example nylon or wire loop or wire support frame.
- 3.6 Basket, wire basket of suitable mesh and capacity to hold any reinforcing steel.
- 3.7 Digital calliper, with a resolution of at least 0.1 mm and conforming with the requirements of ISO 13385-1 or JIS B 7507.
- 3.8 Steel rule.
- 3.9 Putty knife or scraper.
- 3.10 Absorbent cloth.
- 3.11 Masonry or diamond saw for trimming specimens.

4 Materials

The following material is required:

- 4.1 Filler, which is non-absorbent and mechanically stable to allow easy shaping, yet able to retain its shape during handling and immersion, for example plasticine or wax (Note 9.1).

5 Cored Specimens

The procedure for cored specimens shall be as follows:

5.1 Dressing of voids

- 5.1.1 Pre-condition the specimen using the wet conditioning procedure as detailed in AS 1012.14.
- 5.1.2 Remove the surplus water from the surface of the wet conditioned specimen using an absorbent cloth and continue drying until the surface appears just damp.
- 5.1.3 Determine the mass of the specimen (m_1).
- 5.1.4 Examine the specimen to identify which voids, if any, meet the criteria for filling as follows:
 - a) voids with a maximum dimension less than 5 mm need not be filled
 - b) voids with a maximum dimension between 5 and 15 mm are filled if there are more than 10 on the surface, or
 - c) voids with a maximum dimension greater than 15 mm are filled.
- 5.1.5 For a specimen containing reinforcing steel embedded in the surface which can be removed without damaging the specimen, remove the steel and fill any air voids adjoining the resultant cavity with filler (Note 9.2).
- 5.1.6 Remove any non-concrete materials such as bitumen using a scraper.
- 5.1.7 Where required, remove surface texture and fractured surfaces using a masonry saw. The removal of concrete is limited to a maximum of 10 mm from each end.
- 5.1.8 Fill any surface voids which require filling by shaping the filler to match the specimen's contour as if complete compaction had been achieved (Note 9.3).
- 5.2 Determine the average diameter (D) of the test specimen to the nearest 0.1 mm from two diameters measured at right angles to each other.
- 5.3 Determine the height (h) of the test specimen to the nearest 1 mm.

5.4 Conditioning of specimens

- 5.4.1 Immerse the specimen in water at a temperature of $23 \pm 2^\circ\text{C}$ for approximately 1 hour.
- 5.4.2 Remove the specimen from the water, remove surplus water from its surface using an absorbent cloth and continue drying until the surface appears just damp.
- 5.4.3 Determine the mass of the specimen and filler in the saturated surface dry condition (m_2).

5.5 Density measurement

- 5.5.1 Place the container directly below the hole in the balance bench, fill it with water until water escapes from the overflow and allow the excess water to run to waste.
- 5.5.2 When water has ceased dripping from the overflow, fit the attachment to the balance, allow the remainder of the attachment to be immersed in the water container, and zero the balance.
- 5.5.3 Using the attachment, suspend the specimen from the balance and gently lower it into the water container until completely immersed, taking care to ensure that the suspended specimen hangs free of the sides and bottom of the container.
- 5.5.4 Add additional water if necessary until water escapes from the overflow, and allow the excess water to run to waste.
- 5.5.5 When water has ceased dripping from the overflow, determine the mass of the immersed specimen and filler (m_3).

5.5.6 Record the temperature of the water in the container to the nearest 1°C (t_1).

5.6 Adjustment for reinforcing steel

5.6.1 Remove the specimen from the container and, for a specimen containing embedded reinforcing steel, remove this by breaking the concrete.

5.6.2 Determine the mass of the reinforcing steel (m_4).

5.6.3 Suspend the wire basket below the balance and add additional water if necessary until water escapes from the overflow, and allow the excess water to run to waste.

5.6.4 Zero the balance.

5.6.5 Remove the wire basket and place any steel in the basket.

5.6.6 Suspend the wire basket and steel from the balance and completely immerse them in the water.

5.6.7 Agitate the wire basket to remove any entrapped air.

5.6.8 Add additional water if necessary until water escapes from the overflow, and allow the excess water to run to waste.

5.6.9 When water has ceased dripping from the overflow, determine the mass of the immersed reinforcing steel (m_5).

5.6.10 Record the temperature of the water in the container to the nearest 1°C (t_2).

6 Moulded specimens

The procedure for moulded specimens shall be as follows:

6.1 Conditioning of specimens

6.1.1 Immerse the specimen in water at a temperature of $23 \pm 2^\circ\text{C}$ for approximately 1 hour.

6.1.2 Remove the specimen from the water, remove surplus water from its surface using an absorbent cloth and continue drying until the surface appears just damp.

6.1.3 Determine the mass of the specimen (m_6).

6.2 Density measurement

6.2.1 Place the container directly below the hole in the balance bench, fill it with water until water escapes from the overflow and allow the excess water to run to waste.

6.2.2 When water has ceased dripping from the overflow, fit the attachment to the balance, allow the remainder of the attachment to be immersed in the water container, and zero the balance.

6.2.3 Using the attachment, suspend the specimen from the balance and gently lower it into the water container until completely immersed, taking care to ensure that the suspended specimen hangs free of the sides and bottom of the container.

6.2.4 Add additional water if necessary until water escapes from the overflow, and allow the excess water to run to waste.

6.2.5 When water has ceased dripping from the overflow, determine the mass of the immersed specimen and filler (m_7).

6.2.6 Record the temperature of the water in the container to the nearest 1°C (t_3).

7 Calculations

Calculations shall be as follows:

7.1 Calculate the compacted density of concrete for the core specimen as follows:

$$\rho_c = \frac{m_1 - m_4}{\frac{m_2 - m_3}{\rho_{w1}} - \frac{m_4 - m_5}{\rho_{w2}}}$$

- where
- ρ_c = compacted density of concrete (t/m³)
 - ρ_{w1} = density of water at test temperature t_1 (t/m³) (Table 1)
 - ρ_{w2} = density of water at test temperature t_2 (t/m³) (Table 1)
 - m_1 = mass of saturated surface-dry specimen (g)
 - m_2 = mass of moist specimen and filler (g)
 - m_3 = mass of fully immersed specimen and filler (g)
 - m_4 = mass of reinforcing steel (g)
 - m_5 = mass of fully immersed reinforcing steel (g)

7.2 Calculate the reference density of concrete from the moulded specimen as follows:

$$RD_c = \frac{m_6}{m_6 - m_7} \rho_{w3}$$

- where
- RD_c = reference density of concrete (t/m³)
 - ρ_{w3} = density of water at test temperature t_3 (t/m³) (Table 1)
 - m_6 = mass of saturated surface-dry specimen (g)
 - m_7 = mass of fully immersed specimen (g)

8 Reporting

The following shall be reported:

- 8.1 Description of test specimen providing information on:
 - 8.1.1 Specimen type, that is, moulded specimen or core.
 - 8.1.2 Moisture condition when tested, that is, saturated surface-dry.
 - 8.1.3 Presence or not of reinforcing steel and, when present, whether steel was removed before or after testing.
 - 8.1.4 Trimming of any fractured core surface.
- 8.2 For moulded specimens:
 - 8.2.1 Reference density of concrete to the nearest 0.01 t/m³.
- 8.3 For core specimens:

8.3.1 Compacted density of the concrete to the nearest 0.01 t/m³.

8.3.2 Specimen diameter to the nearest 0.1 mm.

8.3.3 Specimen height to the nearest 1 mm.

8.4 The number of this test method, that is Q473.

9 Notes on method

9.1 Before handling any filler, the operator should consult the relevant SDS.

9.2 Do not fill the cavity left by the steel itself or any imprints from deformation patterns on the steel bar.

9.3 If voids are to be filled in a fractured surface at the bottom of a core, it is acceptable to trim the face by saw-cutting, provided there will be no significant change to the density of the specimen due to the removal of poorly compacted concrete.

Table 1 – Density of Water

Temperature (°C)	Density (t/m ³)	Temperature (°C)	Density (t/m ³)	Temperature (°C)	Density (t/m ³)
0	0.9998	14	0.9992	28	0.9962
1	0.9999	15	0.9991	29	0.9959
2	0.9999	16	0.9989	30	0.9957
3	1.0000	17	0.9988	31	0.9953
4	1.0000	18	0.9986	32	0.9950
5	1.0000	19	0.9984	33	0.9947
6	0.9999	20	0.9982	34	0.9944
7	0.9999	21	0.9980	35	0.9940
8	0.9999	22	0.9978	36	0.9937
9	0.9998	23	0.9975	37	0.9933
10	0.9997	24	0.9973	38	0.9930
11	0.9996	25	0.9970	39	0.9926
12	0.9995	26	0.9968	40	0.9922
13	0.9994	27	0.9965		

Test Method Q474: Dowel pull-out test

1 Source

This method is based on a RMS Test Method T366: *Dowel pull-out test*, with only minor variations.

2 Scope

This method describes the procedure for the determination of the suitability of dowel debonder coatings, by measuring the tensile strength of the bond developed when a coated steel dowel is embedded in concrete. The method is applicable to steel dowels used in concrete road pavements for load transfer across joints.

3 Apparatus

The following apparatus is required:

- 3.1 Concrete cylinder moulds, having a diameter between 145 mm and 155 mm and capable of moulding specimens that are right cylinders having height between 1.95 and 2.05 times the average diameter of the specimen.
- 3.2 Internal vibrator, having a vibrating element that operates at a frequency of at least 115 Hz, a minimum diameter of 15 mm, a maximum diameter of 30 mm and is powered by a 240 volt, 50 Hz electric motor with a minimum rating of 1500 watts.
- 3.3 Scoop and wooden float.
- 3.4 Digital calliper, with a resolution of at least 0.1 mm and conforming with the requirements of ISO 13385-1 or JIS B 7507.
- 3.5 Steel rule, with a scale interval of 0.5 mm.
- 3.6 Testing machine, capable of applying a tensile force at a constant rate of 0.5 mm per minute and conforming with the requirements of AS 2193, Class C.
- 3.7 Vertical displacement measurement system, to measure the vertical displacement of the dowel bar. The system can use a dial gauge conforming with the requirements of ISO 463 or JIS B 7503 with a scale interval of 0.01 mm and a minimum travel of 10 mm, or a displacement transducer of at least equal performance.

4 Procedure

The procedure shall be as follows:

4.1 Sampling

- 4.1.1 Sample fresh concrete from the works or mix concrete in the laboratory conforming with the relevant Technical Specification requirements, as detailed in AS 1012.1 or AS 1012.2 as appropriate.

4.2 Moulding and curing

Mould and cure two test specimens as follows:

- 4.2.1 Half fill each mould with concrete and insert a dowel which has been treated with the debonder coating. Locate the dowel centrally into the mould so that it touches the bottom of the mould.

- 4.2.2 Compact the concrete by inserting the vibrator element in at least two locations, approximately at the quarter points of one diameter, ensuring that the element does not come in contact with the sides or base of the mould.
- 4.2.3 After inserting the element, continue compacting the concrete until the surface becomes relatively smooth in appearance, and substantial air bubbles cease breaking the surface. Do not unduly prolong the vibration beyond this point. At this time, slowly extract the vibrator element over a period of 3 seconds or more.
- 4.2.4 Complete the filling of each mould by placing sufficient concrete in the last layer to overfill the mould when compacted.
- 4.2.5 Compact the second layer as detailed in Steps 4.2.2 and 4.2.3, inserting the vibrator to a depth which just penetrates the first layer (Note 7.1)
- 4.2.6 Strike off and smooth the surface of the concrete using the wooden float.
- 4.2.7 Cure the concrete cylinders for 7 days as detailed in AS 1012.8.1 Clause 9, except that after initial curing, test specimens are not demoulded before being placed under standard moist-curing conditions.

4.3 Testing

- 4.3.1 At the completion of the 7 days curing, demould the test specimens and remove the debonding coating from the exposed part of the dowels.
- 4.3.2 For each specimen, measure the dowel diameter (d) to the nearest 0.1 mm and concrete specimen height (l) to the nearest 0.5 mm by averaging readings taken from a number of locations.
- 4.3.3 Position a test specimen in the testing machine and locate the displacement measuring system such that the movement of the dowel relative to the concrete can be measured.
- 4.3.4 Apply force to the specimen until a dowel displacement of at least 0.25 mm is achieved.
- 4.3.5 Record the maximum applied force (P) to the nearest 10 kN.
- 4.3.6 Repeat Steps 4.3.3 to 4.3.5 for the second specimen.

5 Calculation

Calculations shall be as follows:

- 5.1 Calculate the bond strength for each specimen as follows:

$$S = \frac{P}{\pi dl}$$

- where S = bond strength (MPa)
- P = maximum applied force (kN)
- d = dowel diameter (mm)
- l = dowel embedded length (mm)

- 5.2 Calculate the average bond strength to the nearest 0.1 MPa.

6 Reporting

The following shall be reported:

- 6.1 Type of debonder coating used and the method of application.
- 6.2 Nominal diameter of dowels under test (mm).
- 6.3 Average bond strength to the nearest 0.1 MPa.
- 6.4 The number of this test method, that is Q474.

7 Notes on method

- 7.1 If, after partial compaction of the layer, it is apparent that the mould will not be completely filled, add additional concrete and then complete compaction.

Test Method Q475: Tie bar pull-out test

1 Source

This method was developed in-house using techniques evolved through departmental research investigations.

2 Scope

This method describes a field procedure for the determination of the tensile strength of the bond developed between a tie bar and the concrete into which it is embedded. This method is applicable to tie bars used at construction joints and sawn joints in concrete road pavements.

3 Apparatus

The following apparatus is required:

- 3.1 Hollow ram jack, capable of applying a tensile force at a constant rate of 10 mm per minute and having a force indicator which conforms with the requirements of AS 2193, Class C.
- 3.2 Clamping mechanism, to allow load transfer from the jack to the tie bar.
- 3.3 Steel shims, of appropriate size for the jack, for example 150 mm x 25 mm x 1 mm.
- 3.4 Digital calliper, with a resolution of at least 0.1 mm and conforming with the requirements of ISO 13385-1 or JIS B 7507.
- 3.5 Steel rule, with a scale interval of 0.5 mm.

4 Procedure

The procedure shall be as follows:

- 4.1 Ensure that the pavement edge which is adjacent to the tie bar and which will come into contact with the jack is free of concrete projections.
- 4.2 For the tie-bar of nominal length (l_1), measure the exposed length (l_2) to the nearest 1 mm and the tie bar diameter (d) to the nearest 0.1 mm by averaging readings taken from a number of locations.
- 4.3 Position the jack on the tie bar using any necessary supports to ensure that the base of the jack makes uniform contact with the pavement edge and the jack is centrally located about the bar using the necessary supports (Note 7.1).
- 4.4 Attach the clamping mechanism to the tie bar and apply a tensile force to the bar at a rate of 10 mm per minute.
- 4.5 Continue applying the force to the bar until a displacement of 5–10 mm relative to the pavement edge is achieved. Record the maximum force (P) to the nearest 10 kN.

5 Calculation

Calculate the bond strength as follows:

$$S = \frac{P}{\pi d(l_1 - l_2)}$$

where	S	=	bond strength (MPa)
	P	=	maximum applied force (kN)
	d	=	average tie bar diameter (mm)
	l_1	=	nominal tie bar length (mm)
	l_2	=	average tie bar exposed length (mm)

6 Reporting

The following shall be reported:

- 6.1 The nominal diameter and bonded length of the tie bar (mm).
- 6.2 The age of the concrete at the time of testing (days).
- 6.3 The bond strength to the nearest 0.1 MPa.
- 6.4 The number of this test method, that is Q475.

7 Notes on method

- 7.1 Where irregularities in the shape of the pavement edge will not allow the jack to act parallel to the tie bar, use steel shims to pack the base of the jack.

Test Method Q477: Foreign materials content of recycled crushed concrete

1 Source

This method is based on RMS Test Method T276: *Foreign Materials Content of Recycled Crushed Concrete*. It differs from this method by providing for the identification of two additional foreign material types.

2 Scope

This test method sets out the procedure for the determination of the foreign materials content in a sample of recycled crushed concrete.

3 Apparatus

The following apparatus is required:

- 3.1 Sieve, 4.75 mm complying with ISO 3310.
- 3.2 Sieve brush.
- 3.3 Drying oven of suitable capacity, having a temperature of 45 - 50°C and complying with AS 1289.0.
- 3.4 A metal mixing and quartering tray.
- 3.5 Mixing apparatus such as a trowel and quartering tools.
- 3.6 Sample dividers (optional).
- 3.7 Balance of suitable capacity, having a resolution of at least 0.1 g and with a limit of performance within the range of ± 0.5 g.
- 3.8 Suitable metal dishes.

4 Procedure

The procedure shall be as follows:

- 4.1 Prepare a bulk sample as detailed in Section 5 of Test Method Q101 to produce a representative test portion of about 6000 g.
- 4.2 Place the test portion in the oven and dry to a constant mass (Note 7.1).
- 4.3 Allow the test portion to cool to ambient temperature and determine the mass of the test portion (m_1).
- 4.4 Sieve the test portion by hand through the 4.75 mm sieve, ensuring that the sieve is not overloaded (Refer to Table 1) and using a lateral and vertical motion accompanied by a slight jarring action to keep the material moving over the sieve. Continue sieving until no more than 1 per cent by mass of residue passes the sieve during a further 1 minute of continuous hand sieving.
- 4.5 Sort and separate by hand all foreign material retained on the 4.75 mm sieve, and classify it in accordance with Table 2.
- 4.6 Determine the mass of each foreign material type retained on the 4.75 mm sieve (m_i).

5 Calculations

Calculations shall be as follows:

- 5.1 Calculate the percentage of each foreign material type as follows:

$$F_i = \frac{m_i}{m_1} 100$$

where F_i = percentage of each foreign material type retained on the 4.75 mm sieve (%)

m_i = mass of each foreign material type (g)

m_1 = mass of test portion (g)

6 Reporting

Report the percentage of each foreign material type retained on the 4.75 mm sieve to the nearest 0.1%.

7 Notes on method

- 7.1 A test portion is considered to have reached a constant mass when the difference between successive weighings, after a further 4 hours drying at 45 - 50°C, is not more than 1 percent of the total of the previous moisture losses.

Table 1 – Recommended maximum sieve loading

AS sieve (mm)	Maximum loading (g)		
	200 mm diameter	300 mm diameter	450 mm diameter
4.75	200	400	1000

Table 2 – Classification of foreign material types

Foreign material type	Material retained
1	Brick and glass
2	Metal, ceramics and slag (other than blast furnace slag)
3	Plaster, clay lumps and other friable material
4	Rubber, plastic, bitumen (not part of asphalt), paper, cloth, paint, wood and other vegetable matter
5	Asphalt

Test Method Q478: Stability of super-workable concrete

1 Source

This method is based on ASTM C1611: *Standard test method for slump flow of self-consolidating concrete, Appendix X1: Relative measure of flow rate, viscosity and stability, with only minor variations.*

2 Scope

This method describes the procedure for assessing the stability of super-workable concrete by examining the concrete mass and perimeter after the determination of slump flow.

3 Procedure

The procedure shall be as follows:

- 3.1 Perform the slump flow of a sample as detailed in Test Method AS 1012.3.5.
- 3.2 When the concrete has stopped flowing, visually examine the concrete mixture by observing the distribution of the coarse aggregate within the concrete mass, the distribution of the mortar fraction particularly around the perimeter, and the bleeding characteristics of the concrete (Note 5.1).
- 3.3 Assign a visual stability index (VSI) using the criteria in Table 1.

4 Reporting

The following shall be reported:

- 4.1 VSI value.
- 4.2 VSI value description.
- 4.3 The number of this test method, that is Q478.

5 Notes on method

- 5.1 Examples of VSI values may be found in on ASTM C1611: *Standard test method for slump flow of self-consolidating concrete, Appendix X1: Relative measure of flow rate, viscosity and stability*, figures X1.1 to X1.2.

Table 1 – Visual stability index values

VSI value	Description	Criteria
0	Highly stable	No evidence of segregation or bleeding
1	Stable	No evidence of segregation and slight bleeding observed as a sheen on the concrete mass
2	Unstable	A slight mortar halo ≤ 10 mm around the perimeter and/or aggregate pile in the centre of the concrete mass
3	Highly unstable	Clearly segregating by evidence of a large mortar halo > 10 mm around the perimeter and/or a large aggregate pile in the centre of the concrete

Test Method Q479: Water retention of concrete – filtration

1 Source

This method is based on Concrete Institute of Australia publication CIA Z17: *Recommended Practice, Tremie Concrete for Deep Foundations*, Appendix A.3: *BAUER filtration test* and Bauer Operating Instruction: *BAUER Concrete filter press*, with only minor variations.

2 Scope

This test method is used to measure the ability of a concrete with a maximum coarse aggregate size of 20 mm or less to retain its water under pressure. This test determines the amount of water de-filtered when concrete is subjected to a certain applied pressure. The test method was further developed from the filtration test procedure for bentonite and is similar to the filtration test in accordance with the Austrian Guide for soft concrete (Note 9.1). The filtration test can be used for mix design development and approval and is not generally used for production testing. Testing usually starts immediately after mixing of concrete. The test results describe the filtration loss and the filter cake thickness.

3 Apparatus

Examples of the apparatus are shown in CIA Z17: *Recommended Practice, Tremie Concrete for Deep Foundations*, Appendix A.3: *BAUER filtration test*. The following apparatus is required:

- 3.1 Filter press unit (Note 9.2), consisting of:
 - a) Test cylinder, steel cylinder with non-absorptive surfaces and of rigid shape, 300 mm long and 80 mm internal diameter.
 - b) Lower part, steel end with central aperture for water release. Able to contain two sealing rings, screen and filter paper. A screen with an aperture size of about 0.250 mm has been found to be suitable.
 - c) Top part, steel end with pressure regulator, connection for compressed air and gauge to indicate pressure and sealing ring. With the pressure gauge complying with the accuracy requirements of AS 1349 for industrial gauges.
 - d) Frame, to contain the assembled filter press and with a locking mechanism to hold the filter press in-place and apply sufficient pressure to seal the filter press. There should be sufficient space under the filter press to place a measuring cylinder to capture the filtered water.
- 3.2 Scoop.
- 3.3 Rod, complying with requirements of AS 1012.3.1.
- 3.4 Compressed air supply. Supply may be provided by a compressor or cylinders.
- 3.5 Beaker, 250 mL capacity.
- 3.6 Measuring cylinder, 50 mL or 100 mL capacity with 2 mL scale.
- 3.7 Timer, with a resolution of 1 second.
- 3.8 Ruler, with a scale interval of 1 mm.

4 Materials

The following materials are required:

- 4.1 Filter paper, Whatman Grade 50 or equivalent with a diameter of 90 mm.

5 Sampling

- 5.1 For concrete sampled in the field, the test sample shall be obtained as detailed in Test Method AS 1012.1.
- 5.2 For concrete sampled in the laboratory, the test sample shall be obtained as detailed in Test Method AS 1012.2.

6 Procedure

The procedure shall be as follows:

- 6.1 Insert a rubber seal into the groove in the bottom of the press.
- 6.2 Centrally place screen, a new filter paper and the rubber seal into the bottom of the press.
- 6.3 Ensure the internal surface of the press cylinder is clean and free of set concrete.
- 6.4 Place the steel cylinder on the bottom of the press and lock.
- 6.5 Fill the press cylinder in two layers with fresh concrete using the scoop. Lightly rod each layer to de-aerate. Ensure the top level of the concrete in the second layer remains less than 10 mm below the top of the press cylinder.
- 6.6 Place pressure unit on top of the cylinder.
- 6.7 Place complete filter press unit into the stand, and lock in securely in place.
- 6.8 Place the beaker below the aperture at the bottom of the filter press unit.
- 6.9 Attach compressed air to the filter press unit. Using the regulator apply pressure to obtain a pressure of 500 kPa within 10 seconds. Start the timer and maintain the pressure at 500 kPa for 5 minutes and then release.
- 6.10 Determine the volume of filtered water by decanting the water in the beaker into the appropriate measuring cylinder. Record the volume of filtered water in the measuring cylinder to the nearest 1 mL (v).
- 6.11 Remove filter press from the frame. Remove the pressure unit from the top of the test cylinder. Detach the bottom of the press.
- 6.12 Push out the concrete from the cylinder. Measure the filter cake thickness. This is the de-filtered part of the concrete sample and of stiff consistency, that is, still forms a cylinder (Note 9.3).

7 Calculations

The calculations shall be as follows:

7.1 Calculate the volume of press cylinder as follows:

$$V_c = \frac{\pi d^2 h}{4000}$$

where V_c = Volume of press cylinder (cm³)
 d = Diameter of press cylinder (mm)
 h = Height of press cylinder (mm)

7.2 Calculate the filtration loss as follows:

$$FL = \frac{1000v}{V_c}$$

where FL = filtration loss (L/m³)
 v = Volume of filter water (mL)
 V_c = Volume of press cylinder (cm³)

8 Reporting

The following shall be reported:

- 8.1 Volume of filter water to the nearest 1 mL.
- 8.2 Filter cake thickness to the nearest 10 mm (Note 9.4).
- 8.3 Filtration loss to the nearest 1 L/m³ (Note 9.4).
- 8.4 The number of this test method, that is Q479.

9 Notes on method

- 9.1 Further information may be obtained from *Guideline on soft concrete, Austrian Association for concrete and construction technique*, 12-2009 (German: Merkblatt "Weiche Betone" by ÖVBB).
- 9.2 A BAUER Concrete Filter Press has been found to be suitable.
- 9.3 The test may be repeated several times after mixing of concrete to measure the stability of a mix over time.
- 9.4 In terms of stability, the water retention ability is greater with a lower filtration loss and a thinner filter cake.

Test Method Q480: Relaxation of prestressing and posttensioning material

Perform the test in accordance with AS 4672.1-2007 *Appendix B: Isothermal relaxation test*, but with the following changes, as detailed below. The purpose of these changes:

- a) addressing deficiencies in the published standard
- b) restricting testing options permitted under AS 4672.1-2007 rather than altering the procedure
- c) defining how to determine relaxation at both 1000 hours and 10,000 days.

Sub-clause B5 (a)

In the first line, delete "60%, 70% or".

Sub-clause B5

Replace Clause (e) with:

"Continue the test for 330 ± 24 h and, without halting the test, perform an extrapolation to 1000 h and 10,000 days using Method 2 of Clause B8. The test may be finalised at this point if:

- i) the relaxation at 10 000 days is outside the range of 4.20%-5.80% inclusive, and
- ii) the regression coefficient is greater than or equal to 0.98.

If these conditions are not met, the test must continue in accordance with Clause (f)."

Add Clause (f):

"Continue the test to 1000 hours, and perform an extrapolation to 10,000 days using Method 2 of Clause B8, and using all data from 8 hours to 1000 hours. If the regression coefficient is less than 0.98, the 10,000 day relaxation value is not to be accepted. Reasons for the regression coefficient being less than 0.98 shall be investigated and reported."

Add the following to below Clause (f):

"All data points shall be recorded, and a reading that appears anomalous shall be investigated, and if valid reasons are found, such information shall be recorded on the test report."

Sub-clause B6 (a)

Add "and 10,000 days" after "1000 h".

Sub-clause B8

In the first sentence, replace "160" with " 330 ± 24 " in both instances.

Replace the third sentence with "The regression shall be performed using Method 2."

Replace the first sentence under Method 2 with:

"To extrapolate to 1000 h or 10,000 days, a regression shall be performed on the available data from 8 hours onwards using the following equation:"

Sub-clause B9 (d)

After the first "1000 h" add "and 10,000 days" and replace "at least 160" with " 330 ± 24 ".

Sub-clause B9 (f)

Replace "either Equation B7 (1) or B7 (2)" with "Equation B7 (2)".

Sub-clause B9 (g)

Replace with "Reference to this Standard Appendix, AS 4672.1, as modified by Q480".

Test Method Q482: Relative compaction of concrete

1 Source

This method applies the principles of Roads and Maritime Services QA Specification R83: *Concrete pavement base*. It varies from this specification by allowing the use of a nuclear gauge to determine the compacted density of the concrete.

2 Scope

This method describes the procedure for determining the relative compaction of concrete. It is determined as the ratio of the core density and the reference density values for the concrete expressed as a percentage.

3 Procedure

The procedure shall be as follows:

- 3.1 Select test locations within the lot under consideration using Random Stratified Sampling: Selection of Location – Available Area (unless otherwise specified) as detailed in Test Method Q050. The locations should be chosen to exclude joints and, where applicable, steel reinforcement or tie bars (located with the aid of a metal detector or similarly appropriate device).

3.2 Compacted density of concrete by coring

- 3.2.1 Extract 75 – 100 mm diameter cores from the full depth of the concrete base as detailed in AS 1012.14.
- 3.2.2 Place the cores in either:
 - a) a tank of lime-saturated water, or
 - b) individual sealed plastic bags to prevent moisture loss and shaded to reduce temperature extremes.

- 3.2.3 Determine the compacted density of the concrete (ρ_c) as detailed in Test Method Q473 and record the value to the nearest 0.01 t/m^3 .

3.3 Compacted density of concrete by nuclear gauge

- 3.3.1 Determine the compacted density of the concrete (ρ_c) in accordance with Test Method Q484 and record the value to the nearest 0.01 t/m^3 .
- 3.4 For each lot determine the assigned reference density of the concrete (LRD_c) in accordance with Test Method Q483 and record the value to the nearest 0.01 t/m^3 .

4 Calculations

Calculations shall be as follows:

- 4.1 Calculate the relative compaction to the nearest 0.1% as follows:

$$RC_c = \frac{100\rho_c}{LRD_c}$$

where RC_c = relative compaction of concrete (%)

ρ_c = compacted density of concrete (t/m^3)

LRD_c = assigned reference density of concrete (t/m^3)

- 4.2 Where a number of tests have been performed on a lot, calculate the minimum characteristic value of relative compaction as detailed in Test Method Q020.

5 Reporting

The following shall be reported:

- 5.1 Report the relative compaction of concrete to the nearest 0.1%.
- 5.2 If required, report the minimum characteristic value of relative compaction as detailed in Test Method Q020.

Test Method Q483: Assignment of reference density for concrete

1 Source

This method applies the principles of Roads and Maritime Services QA Specification R83: *Concrete pavement base* to the assignment of a reference density for a concrete lot. It varies in using all available tests in each lot to establish a reference density.

2 Scope

This method sets out the procedure for assigning a reference value of density for a concrete lot and is applicable only to concrete pavements.

3 Procedure

The procedure shall be as follows:

- 3.1 Obtain all pairs of specimens sampled, manufactured and cured for the determination of the 28 day compressive strength of concrete and remove from curing at 7 days.
- 3.2 Test each specimen separately and determine the density as detailed in Test Method Q473.
- 3.3 Return each specimen to the curing environment at the completion of testing and no longer than 1 hour after their removal.

4 Calculations

Calculations shall be as follows:

- 4.1 For each pair of specimens calculate the mean density and if the difference in density between the pair of specimens is greater than 10% of the mean density of the pair, exclude the lower density from further calculations.
- 4.2 Using the remaining specimens calculate the mean of the density values. This value is the assigned reference density of the concrete lot (LRD_c).

5 Reporting

The following shall be reported:

- 5.1 The assigned reference density to the nearest 0.01 t/m³.
- 5.2 Identification of the nominated mix or trial section.
- 5.3 Identification of the lot.

6 Notes on method

Plot control charts of the progressively assigned values to assess whether there is drift in the values being used.

Test Method Q484: Compacted density of concrete - nuclear gauge

This test shall be performed in accordance with Test Method N06: *Compacted Density of Concrete* contained within the department's *Nuclear Gauge Testing Manual*.

Test Method Q485: Carbonation depth of concrete

1 Source

This method was developed in house using techniques evolved through internal departmental research investigations.

2 Scope

This method describes a procedure for determining the depth of carbonation in concrete using phenolphthalein indicator solution.

3 Definitions

For the purpose of this method, the following definitions shall apply:

Carbonation is the term referring collectively to a number of natural processes causing neutralisation of concrete. The most significant process occurs when carbon dioxide in the atmosphere reacts with calcium hydroxide in the cement in the presence of moisture forming calcium carbonate. This results in a reduction in pH of the concrete and an increased potential for corrosion of steel reinforcement.

4 Apparatus

The following apparatus is required:

- 4.1 Spray bottle or paint brush.
- 4.2 Steel rule with 1 mm graduations.
- 4.3 Compression testing machine and Brazil jig (optional).

5 Reagents

The following reagents are required:

- 5.1 Phenolphthalein indicator solution (Note 8.1).
 - Dissolve 1 g of phenolphthalein and 50 ml of ethanol in 50 ml of distilled water (use proportionally larger quantities if necessary).

6 Procedure

The procedure shall be as follows:

- 6.1 Obtain a concrete core and determine its length (Note 8.2).
- 6.2 Place the specimen so that, in the case of a cylindrical specimen, it is resting on its side between the platens of the corresponding testing machine (that is, in a manner similar to that used in the Brazil or splitting test).
- 6.3 Apply a force without shock until the specimen fails diametrically. The objective is to cause a single fracture plane.
- 6.4 Remove the pieces of the specimen from the testing machine and place them so as to enable the reagent to be sprayed on the newly exposed surfaces of the specimen.

- 6.5 Ensure the newly exposed surfaces are dry. Paint or spray the newly exposed surfaces uniformly with the indicator solution. Areas of the newly exposed surfaces not subjected to carbonation will turn purple. Areas where carbonation of the concrete has occurred will not change colour.
- 6.6 Measure the depth of carbonation at three points to the nearest 1 mm, from the original external surface of the specimen to the border between the carbonated and un-carbonated areas (Note 8.2).
- 6.7 Calculate the average of the three depths and record as the depth of carbonation to the nearest 1 mm.

7 Reporting

The following shall be reported:

- 7.1 Identification of the specimen.
- 7.2 Carbonation depth or range of depths, to the nearest 1 mm.
- 7.3 Length of the specimen to the nearest 1 mm.

8 Notes on method

- 8.1 Before handling phenolphthalein indicator solution, the operator should consult the relevant Safety Data Sheet (SDS).
- 8.2 Samples other than concrete cores may be tested.
- 8.3 It will be evident from an inspection of the specimen, that one or more of the external surfaces formed part of the external surfaces of the structure from which the specimen was removed. It is from these surfaces that measurements of carbonation depth should be made. If the border between the two areas is approximately parallel to the outer surface record the average depth of carbonation. If the border is very uneven or diverges from the outer surface record the range of depths observed.

Test Method Q603: Heat stability of bitumen anti-stripping agent

1 Source

This method was developed in-house using techniques evolved through internal departmental research investigations.

2 Scope

This method describes the procedure for determining the stability to heat treatment of a bitumen anti-stripping agent. It assesses the loss in effectiveness of the agent due to heating through measurement of binder aggregate adhesion using Test Method Q212C – Binder stripping value (immersion tray). The method is applicable to anti-stripping agents which are added directly to bituminous binders.

3 Apparatus

The following apparatus is required:

- 3.1 Test oven, thermostatically controlled at a temperature of $163 \pm 1^\circ\text{C}$.
- 3.2 Preparation oven, thermostatically controlled at a temperature of $105 \pm 5^\circ\text{C}$.
- 3.3 Sample containers, five metal containers of approximately 70 mm diameter and 250 mL volume, with one fitted with a tightly fitting level lid.
- 3.4 Sample lids, metal lids having a diameter of approximately 150 mm and a raised edge around the circumference (Note 8.1).
- 3.5 Water bath, maintained at a temperature of $40 \pm 1^\circ\text{C}$.
- 3.6 Hotplate.
- 3.7 Balance, of suitable capacity, having a resolution of at least 0.01 g and with a limit of performance within the range of ± 0.05 g.

4 Materials

The following materials are required:

- 4.1 Aggregate, suitable aggregate of 20 mm nominal size (Note 8.2).
- 4.2 Bitumen, Class 170 bitumen complying with MRTS 17.
- 4.3 Cutter, bitumen cutter complying with MRTS 19.

5 Procedure

The procedure shall be as follows:

5.1 Aggregate preparation

Wash and dry at least 150 representative pieces of the dominant size fraction of the aggregate.

5.2 Calibration sample preparation and testing

Prepare four calibration samples covering a range of anti-stripping agent concentrations and test as follows (Note 8.3):

- 5.2.1 Heat at least 200 g of bitumen on the hotplate until pourable.

- 5.2.2 Select one of the anti-stripping agent concentrations and calculate the mass of agent required to produce this concentration in 100 to 140 g bitumen. Weigh the calculated mass into a sample container to the nearest 0.01 g.
- 5.2.3 Weigh the mass of bitumen required to produce the anti-stripping agent concentration into the sample container to the nearest 1 g.
- 5.2.4 Gently heat the contents of the sample container on the hotplate and stir vigorously for about 5 minutes.
- 5.2.5 Calculate the mass of cutter (to the nearest 0.1 g) required to produce a 7.5 percent by volume cutback bitumen as follows:

$$M_c = \frac{7.5D_c M_B}{100D_B}$$

- where M_c = mass of cutter (g)
- M_B = mass of bitumen (g)
- D_B = density of bitumen (t/m³)
- D_c = density of cutter (t/m³)

- 5.2.6 Add the mass of cutter calculated in Step 5.2.5 to the sample container with continuous stirring of the contents to achieve complete solution (Note 8.4).
- 5.2.7 Check the mass of the sample container and contents and if necessary add additional cutter to compensate for any cutter loss. Combine repeated additions of cutter with continuous stirring until the required mass of cutter in the sample (to the nearest 0.1 g) is obtained (Note 8.5).
- 5.2.8 Pour immediately 25.5 ± 2.0 g of the prepared sample from the sample container onto each of three lids. Spread the sample on each lid as quickly as possible to form a continuous and even film over the lid (Note 8.6).
- 5.2.9 Allow the three lids to cool to nearly room temperature and then immerse them to a depth of at least 25 mm in the water bath for at least 20 minutes.
- 5.2.10 Remove the lids from the water bath and then firmly press 10 pieces of aggregate into the binder of each lid. Return each lid to the water bath for a further 10 ± 1 minutes and then remove.
- 5.2.11 Select one of the lids and pull (by hand) each piece of aggregate in turn from the binder and examine for binder adhesion (Note 8.7).
- 5.2.12 Visually determine the quantity of binder retained on the underside of each piece of aggregate and score it on a scale of 0 to 10, with 10 being full cover. When all 10 pieces of aggregate have been examined, add the scores and record the total as percent.
- 5.2.13 Repeat Steps 5.2.11 and 5.2.12 for the remaining two lids.
- 5.2.14 Repeat Steps 5.2.2 to 5.2.13 for the three remaining anti-stripping agent concentrations.

5.3 Test sample preparation and testing

Prepare the test sample containing the specified anti-stripping agent concentration and test as follows (Note 8.8):

- 5.3.1 Heat at least 200 g of bitumen on the hotplate until pourable.

- 5.3.2 Calculate the mass of agent required to produce the specified anti-stripping concentration in 100 to 140 g bitumen and weigh the calculated mass into a sample container to the nearest 0.01 g.
- 5.3.3 Weigh the mass of bitumen required to produce the anti-stripping agent concentration into the sample container to the nearest 1 g.
- 5.3.4 Gently heat the contents of the sample container on the hotplate and stir vigorously for about 5 minutes.
- 5.3.5 Allow the sample container to cool to room temperature and then fit its lid.
- 5.3.6 Place the sample container in the test oven for 360 ± 5 minutes.
- 5.3.7 Remove the sample container from the test oven and allow to cool to room temperature.
- 5.3.8 Calculate the mass of cutter (to the nearest 0.1 g) required to produce a 7.5 percent by volume cutback bitumen as follows:

$$M_C = \frac{7.5D_C M_B}{100D_B}$$

- where M_C = mass of cutter (g)
- M_B = mass of bitumen (g)
- D_B = density of bitumen (t/m^3)
- D_C = density of cutter (t/m^3)

- 5.3.9 Remove the lid and gently heat the sample container on the hotplate until the contents are fluid.
- 5.3.10 Add the mass of cutter calculated in Step 5.3.8 to the sample container with continuous stirring of the contents to achieve complete solution (Note 8.4).
- 5.3.11 Check the mass of the sample container and contents and if necessary add additional cutter to compensate for any cutter loss. Combine repeated additions of cutter with continuous stirring until the required mass of cutter in the sample (to the nearest 0.1 g) is obtained (Note 8.5).
- 5.3.12 Repeat Steps 5.2.8 to 5.2.13.

6 Calculations

Calculations shall be as follows:

6.1 Stripping values

Calculate the stripping values for each set of three sample lid results as follows:

- 6.1.1 Record the total score obtained for each sample lid as the binder adhesion result.
- 6.1.2 Calculate the stripping result for each sample lid by subtraction of the binder adhesion result from 100.
- 6.1.3 If the difference between the stripping results of the three sample lids is less than 20 %, calculate the average of the three results and record the average as the stripping value to the nearest 1 %.

- 6.1.4 If the difference between the stripping results of the three sample lids exceeds 20 % but two of the results agree to within 10 %, calculate the average of these two results and record this average as the stripping value to the nearest 1 %.
- 6.1.5 If the difference between the stripping results of the three sample lids exceeds 20 % and no two results agree within 10 %, repeat the test.

6.2 Calibration samples

Plot the stripping values obtained for the four calibration samples against the respective anti-stripping agent concentrations and apply the best fit curve.

6.3 Test sample

- 6.3.1 Using the calibration curve obtained in Step 6.2, determine the effective anti-stripping agent concentration corresponding to the stripping value obtained for the test sample.
- 6.3.2 Calculate the heat stability of the test sample to the nearest 1 % as follows:

$$S = \frac{100C_2}{C_1}$$

- where S = heat stability (%)
- C₁ = specified anti-stripping agent concentration (%)
- C₂ = effective anti-stripping agent concentration (%) determined in Step 6.3.1.

7 Reporting

Report the heat stability of the sample to the nearest 1%.

8 Notes on method

- 8.1 Press-on lids from 4 litre capacity tins have been found suitable.
- 8.2 A suitable aggregate is one which provides a wide range of bitumen stripping values over the selected range of anti-stripping agent concentration.
- 8.3 The anti-stripping agent concentrations selected for the calibration samples should include 0% and that specified for the test sample. The remaining two concentrations should be selected between these two extremes at equidistant intervals.
- 8.4 If the contents have cooled so that thorough mixing is difficult, gentle warming of the contents is permitted.
- 8.5 It is important to reasonably ensure that the correct quantity of cutter is added to the binder. Varying quantities of cutter will lead to varying binder viscosities which have considerable influence on the stripping value obtained.
- 8.6 If the sample on the lid has cooled so that spreading of the sample to form a continuous film over the lid is difficult, minimal warming of the lid in the oven is permitted. However, under no circumstances shall a hotplate be used for this purpose.
- 8.7 Extract pieces of aggregate evenly with a direct upward pull without any twisting or shoving motion. Where only collar or edge adhesion has taken place, exercise care so that the ductile binder retained at the edge of the aggregate does not contact or overlay the underside of the aggregate before an assessment of stripping.

- 8.8 The specified anti-stripping agent concentration will normally be that concentration recommended for field use. However, where the heat stability of a number of anti-stripping agents is to be compared, the one specified concentration should be adopted for all such agents.

Test Method Q604: Pourability of a liquid bitumen anti-stripping agent

1 Source

This method was developed in-house using techniques evolved through internal departmental research investigations.

2 Scope

This method describes the procedure for determining the pourability of a liquid bitumen anti-stripping agent. It may be used to indicate how readily a liquid bitumen anti-stripping agent will pour from a supply container at low temperature.

3 Apparatus

The following apparatus is required:

- 3.1 Measuring cylinders, three unstoppered measuring cylinders of 25 mL capacity, graduated in 0.5 mL increments and conforming to ISO 4788.
- 3.2 Receivers, two crow receivers of 100 mL capacity conforming to BS658.
- 3.3 Water bath, maintained at a temperature of $5 \pm 0.5^{\circ}\text{C}$.
- 3.4 Thermometer, a partial immersion liquid in glass thermometer with a range of at least $0\text{-}10^{\circ}\text{C}$, graduated in subdivisions of 0.5°C or less, with an uncertainty of no more than 0.2°C (for example, ASTM 90C).
- 3.5 Retort stand, boss head and clamp.
- 3.6 Travelling side arm stop (as illustrated in Figure 1 and detailed in Figure 2).
- 3.7 45° set-square or protractor.
- 3.8 Digital stopwatch.
- 3.9 Steel rule, of at least 300 mm length and accurate and readable to 1 mm.
- 3.10 Pipette, a pipette of 10 ml capacity.
- 3.11 Stirring rods, 2 glass stirring rods.

4 Procedure

The procedure shall be as follows:

- 4.1 Thoroughly mix the sample and add approximately 30 mL to each of two 25 mL measuring cylinders (that is, approximately 5 mL above the 25 mL mark).
- 4.2 Place the cylinders containing the samples into the water bath.
- 4.3 Stir the samples regularly with the stirring rods until they attain a temperature of $5 \pm 0.5^{\circ}\text{C}$.
- 4.4 Assemble the clamp, travelling side arm stop, boss head, retort stand and remaining 25 mL measuring cylinder on a level bench as illustrated in Figure 1.
- 4.5 Adjust the cylinder location within the clamp so that the clamp is positioned near the base of the cylinder.
- 4.6 Loosen the grub screw and set the side of the measuring cylinder at 45° to the horizontal using the set-square or protractor. Retighten the grub screw.

- 4.7 Check the angle to ensure that the measuring cylinder is at 45° to the horizontal when stopped by the travelling side arm stop. The cylinder is now in the pour position.
- 4.8 Return the cylinder to the vertical position and then adjust the cylinder within the clamp so that the 20 mL mark on the cylinder is level with the upper edge of the clamp.
- 4.9 Return the cylinder to the pour position. Adjust the boss head, travelling sidearm stop and clamp so that the lower edge of the cylinder mouth is 255 ± 5 mm above the bench. This is the height at which the apparatus is to be set during testing.
- 4.10 Position a 100 mL crow receiver on the bench in a suitable location to receive sample draining from the measuring cylinder.
- 4.11 Return the cylinder to the vertical position and remove the cylinder.
- 4.12 Remove any excess liquid above the 25 mL mark on each measuring cylinder in the water bath using the pipette.
- 4.13 Remove one of the measuring cylinders from the bath, quickly dry and clamp into position so that the 20 mL mark on the cylinder is level with the upper edge of the clamp.
- 4.14 Rapidly move the cylinder to the pour position and immediately start the stopwatch.
- 4.15 At the 5 second time increment, rapidly return the measuring cylinder to the vertical position, and then remove it from the clamp.
- 4.16 Record the volume of sample in the receiver (V_1) to the nearest 1 mL.
- 4.17 Position the second 100 mL crow receiver on the bench in a suitable location to receive sample draining from the measuring cylinder.
- 4.18 Repeat Steps 4.13 to 4.15 for the remaining measuring cylinder.
- 4.19 Record the volume of sample in the receiver (V_2) to the nearest 1 mL.
- 4.20 If the difference between V_1 and V_2 exceeds 4 mL, repeat the test.

5 Calculations

Calculate the pourability of the sample as follows:

$$P = 2 (v_1 + v_2)$$

where P = pourability (%)

V_1 = volume of sample drained in the first receiver (mL)

V_2 = volume of sample drained in the second receiver (mL)

6 Reporting

Report the pourability of the sample to the nearest 1%.

Figure 1 - Pourability apparatus configuration

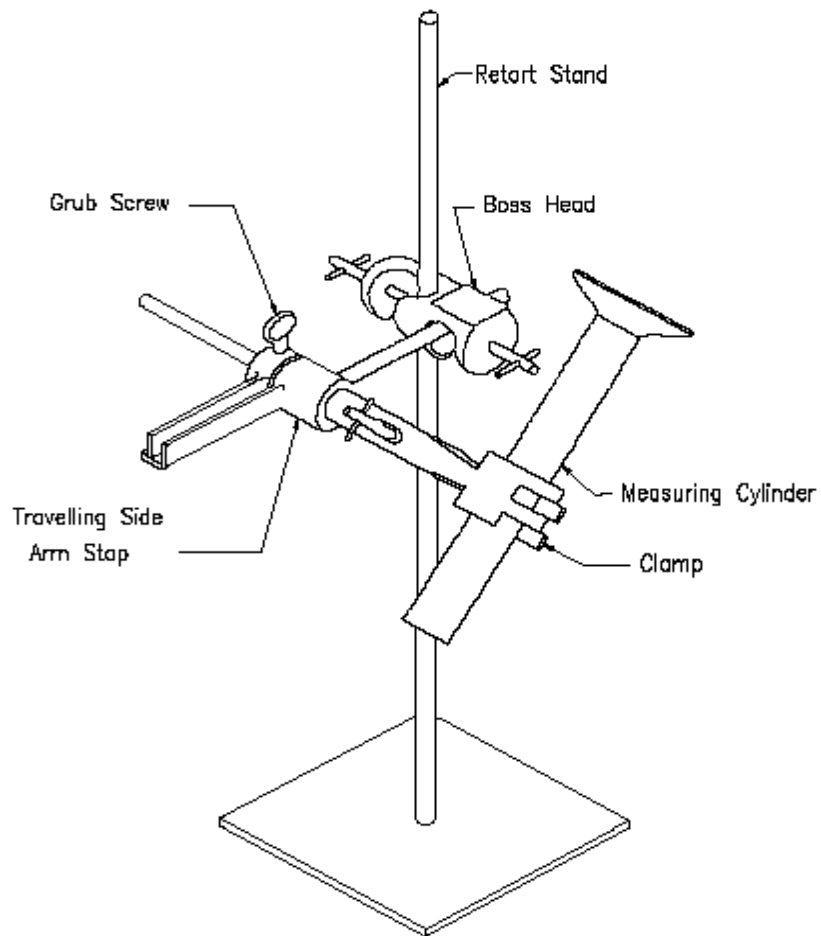
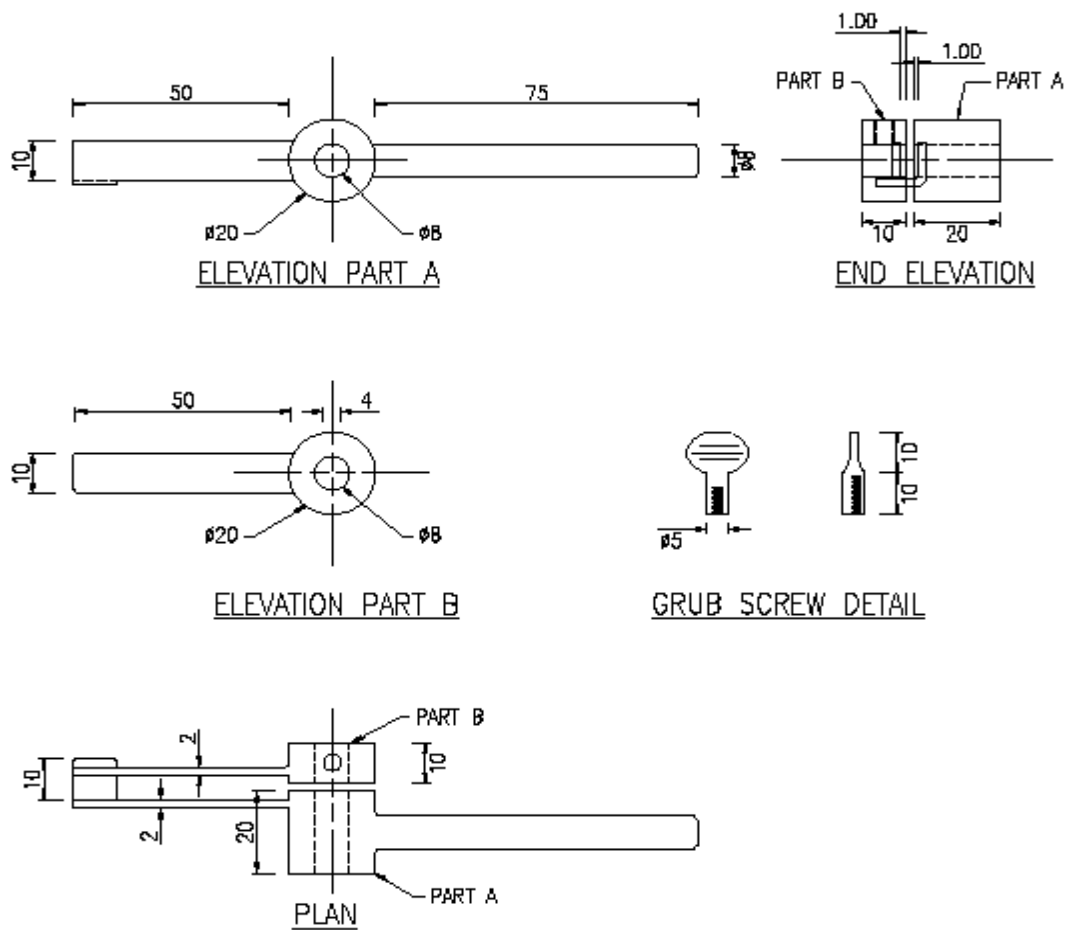


Figure 2 - Travelling side arm stop



Test Method Q704: Skid resistance - portable pendulum

1 Source

This method applies the principles of AS 1141.42: *Pendulum friction test*. It differs from this standard by:

- a) performing testing in the field and correcting values for measured surface temperature
- b) using the 75 mm wide slider for all testing
- c) correcting the skid resistance value to a test temperature of 30°C.

2 Scope

This method describes the procedure for the determination of the resistance of a road surface to skidding. The apparatus measures the frictional resistance between a rubber slider mounted on the end of a pendulum arm and the road surface.

3 Apparatus

Where appropriate, the working tolerances of particular apparatus are contained in Tables 1 and 2.

The following apparatus is required:

- 3.1 Pendulum friction tester, comprising a tester and auxiliary scale constructed in accordance with details available from the Australian Road Research Board, Melbourne. All bearings and working parts of the instrument are enclosed as far as possible and all materials used suitably treated to prevent corrosion under wet conditions. Use and store the pendulum friction tester in a dust-free environment that is not subject to a large temperature variation. Calibrate the tester to ensure compliance with the following requirements at intervals not exceeding two years or when results obtained from the friction tester control specimens vary from the established values by more than three units. The tester, will consist of the following:
 - a) Spring-loaded rubber slider mounted on the end of a pendulum so that the sliding edge is 515 mm from the axis of suspension. The sliding edge will be square, clean cut and free from contamination. The rubber slider is 76.0 mm long, 25.4 mm wide and 6.4 mm thick. The slider is rigidly backed and, together with the rigid backing plate having a total mass of 35 g.
 - b) Slider material is Slider 55 (IRHD 55) and complying with the resilience requirements of Table 2. Avoid handling of the surface of a rubber slider and, when not in use, store sliders in the dark at a temperature between 10°C and 25°C. Discard a slider when:
 - i. more than 12 months old from the date stamped on the slider, or
 - ii. it does not comply with the requirements of Table 2.
 - c) The mass of the pendulum including the slider is 1.50 kg with the centre of gravity lying on the axis of the pendulum at a distance of 410 mm from the centre of suspension. Mount the slider on an axis set at an angle of 25 degrees to the horizontal when the pendulum is at the lowest point of its swing, so that only the rear edge of the slider contacts the test surface. The slider can turn about its axis without obstruction to follow unevenness of the surface. Spring load the slider against the test surface. The calibration procedure will set the nominal static force on the slider.
 - d) Means for levelling the instrument.

- e) Means for raising and lowering the axis of suspension of the pendulum so that the slider can:
 - i. swing clear of the surface of the specimen, and
 - ii. be set to slide over a fixed length of the surface.
 - f) Means for holding and releasing the pendulum so that it falls freely from a horizontal position.
 - g) Pointer balanced about the axis of suspension, indicating the position of the pendulum throughout its forward swing and moving over the circular scale attached to the instrument. The mass of the pointer, excluding felt friction washers, is not more than 85 g. The friction in the pointer mechanism is adjustable so that, with the pendulum swinging freely from a horizontal position, will bring the outward tip of the pointer to rest on the forward swing of the pendulum at a point 10 mm below the horizontal, the point corresponding to the zero position on the attached circular scale.
- 3.2 Bannister brush.
- 3.3 Spray bottle and water container.
- 3.4 Temperature measurement device covering the range of 0°C to 60°C and graduated to 1°C and an uncertainty of no more than 0.5°C. A thermocouple or infra-red thermometer has been found to be suitable.

4 Materials

The following materials are required:

- 4.1 Potable water.
- 4.2 Suitable insulation material for temperature measurements (for example, polystyrene block or fine sand).

5 Procedure

The procedure shall be as follows:

- 5.1 Determine the test location (Note 8.1).
- 5.2 Set the instrument in line with the traffic flow so that the pendulum will swing in the same direction as the traffic flow.
- 5.3 Clear the road surface of loose materials by brushing briskly with a bannister brush.
- 5.4 Place the temperature measurement device on the road surface adjacent to the test site under the insulating material.
- 5.5 Set the base level, by means of the levelling device and the three levelling screws on the base frame. Secure a rubber slider on its pivot ensuring the correct positioning of the two washers and spring.
- 5.6 Raise the axis of suspension of the pendulum so that the arm swings freely. Adjust the friction rings in the pointer mechanism so that, when the pendulum arm and pointer are released from the right-hand horizontal position, the pointer will zero repeatedly (Note 8.2).
- 5.7 Adjust the height of the axis of suspension of the pendulum by means of the rack and pinion so that the whole trailing edge of the slider is in contact with the test surface for the set length while traversing the test surface. This length is set by aligning the trailing edge of the slider

against the marks on the scale supplied with the friction tester. When the apparatus has been set correctly, the sliding length should be between 125 and 127 mm on the scale. The outer marks are 127 mm apart and the inner one each indicates the 2 mm tolerance allowed.

- 5.8 Using the spray bottle, thoroughly wet the rubber slider and road surface with water.
- 5.9 Return the pendulum to its horizontal position and move the pointer against its stop. Release the pendulum and pointer from the horizontal position, allowing them to swing over the test surface. As the pendulum and slider falls back from its peak after traversing the test surface, catch it before the slider again makes contact and note the reading indicated by the pointer (Note 8.3).
- 5.10 Lift the slider using the lifting lever keeping it clear of the road surface and return the pendulum and pointer to the horizontal position and lock in the release position.
- 5.11 Repeat Steps 5.7 to 5.10 four times and record the mean of the five readings provided they do not differ by more than three units. If the range exceeds three units, repeat Steps 5.7 to 5.10 until three successive readings are the same and record this value.
- 5.12 Raise the head of the pendulum so that the pendulum arm swings clear of the surface and check the free swing for zero error. If the free swing does not zero, then adjust the pendulum as detailed in Step 5.6 and repeat the testing at the location as detailed in Steps 5.7 to 5.12. If the check of the free swing for zero error fails again, remove the pendulum from service and partially or fully recalibrate the pendulum.
- 5.13 Record the test surface temperature.

6 Calculations

Calculations shall be as follows:

- 6.1 Calculate the mean wet skid resistance value at 30°C as follows:

$$SRV_{30} = \frac{SRV_t}{1 - 0.00525(t - 30)}$$

where SRV_{30} = mean wet skid resistance value corrected to 30°C

SRV_t = mean skid resistance value at the test temperature

t = test surface temperature (°C)

7 Reporting

The following shall be reported:

- 7.1 The mean wet skid resistance value (SRV_{30}) corrected to 30°C to the nearest whole number (Note 8.4).
- 7.2 The description of surface being tested.

8 Notes on method

- 8.1 The location of the test site may be variable according to the investigation being conducted. However, for routine testing, readings are usually taken along a wheel path.

- 8.2 Adjustment of the friction rings is necessary as the testing is carried out under varying conditions of temperature and wind velocity.
- 8.3 If the slider is allowed to hit the test surface on the return swing it can be damaged and effect the zero adjustment.
- 8.4 The skid resistance of a dry surface may also be measured using the same method except that water is not applied to either the rubber slider or road surface. However, the appropriate correction for temperature is not known.

Table 1 - Dimensions and tolerances for pendulum friction tester

Apparatus	Dimension	Tolerance
Pendulum friction tester		
Distance of sliding edge from axis of suspension (mm)	515	± 2
Length of rubber slider (mm)	75.0	± 1.0
Width of rubber slider (mm)	24.0	± 1.0
Thickness of rubber slider (mm)	6.0	± 0.5
Mass of rubber slider and backing plate (g)	35	± 2
Mass of slider and pendulum (kg)	1.50	± 0.03
Distance from centre of gravity of pendulum to the centre of suspension (mm)	410	± 5
Angle of slider to horizontal at lowest point of swing (°)	25	± 1
Mass of pointer (g)	85	maximum

Table 2 - Properties of rubber slider

Property	Temperature (°C)				
	0	10	20	30	40
Resilience (%)*	44 to 49	58 to 65	66 to 73	71 to 77	74 to 79
Hardness (IRHD)+	55 ± 5	55 ± 5	55 ± 5	55 ± 5	55 ± 5

* Lupke rebound test in accordance with BS ISO 4662.

+ Hardness in accordance with BS ISO 48.

Test Method Q705B: Surface texture depth – silicone putty

1 Source

This method was developed in house using information obtained from the following technical references:

- Texas Transportation Institute (1970), *Macro-texture, Friction, Cross Slope and Wheel Track Depression Measurements on 41 Typical Texas Highway Pavements*. Report No. 138-1, Texas Transportation Institute, June 1970.
- Texas Transportation Institute (1977), *Texture Depth by Silicone Putty Method. Appendix C, Interim Report RF 3424-1*, Texas Transportation Institute, July 1977.
- TMR (2011) – *Correlation of Silicone Putty and Portable Laser Texture Methods with Sand Patch Test. Pavement Performance and Investigation Report*.

2 Scope

This method covers the measurement of the surface texture depth of a pavement surface using the silicone putty technique. This method is based on a procedure developed by the Texas Transportation Institute (1970 & 1977) and is particularly suited to measurement of texture depths of less than 0.5 mm.

The method involves placement of a known volume of silicone putty on the pavement surface and pressing the putty into the surface texture using a recessed plate. The average diameter of the flattened putty is recorded. The recess is circular with a depth of 1.587 mm ($1/16$ inch). The diameter of the recess is such that the volume of putty will completely fill it if the surface has zero texture. A decrease in diameter of the deformed putty, relative to the recess diameter, is related to an increase in texture depth. The texture depth determined by this method is the average height of the volume of putty that has filled the texture as related to the circular area covered.

The primary reference test for volumetric texture depth determination is still Austroads test method AG:PT/T250. This is a supplementary test method for use on low textured surfaces and other situations where the traditional sand patch test is unsuited. For texture depths greater than 0.5 mm, this method has been found to correlate well with the traditional test.

3 Apparatus

The following apparatus is required:

- 3.1 Test plate either 160 or 200 mm square by 25 mm thick of flat acrylic plastic, with a centrally machined 101.6 or 143.42 mm (respectively) diameter by 1.578 mm deep recess on one side (Note 8.1).
- 3.2 25 kg surcharge weight.
- 3.3 Soft hand brush.
- 3.4 500 mL spray bottle for application of putty release agent.
- 3.5 150 mm or greater steel ruler, graduated in mm, for measuring flattened putty diameter.
- 3.6 Metal knife, spatula or paint scraper (for separation of the plate from the pavement surface at the end of the test).
- 3.7 Suitable containers for storage of premeasured putty quantities for the test (for example, small takeaway plastic containers).

4 Materials

The following materials are required:

- 4.1 Dental grade, skin safe fast curing two component Flexible Silicone Impression Putty with a specific gravity of 1.44. The quantities required for a test are 12.82 or 25.64 mL depending on the size of the plate used. Pre-measure the two parts off site and store in the small containers for transport to the test site.
- 4.2 Dilute solution of domestic detergent (for example, dishwashing liquid) for use as a mould release agent.

5 Procedure

The procedure shall be as follows:

- 5.1 Select a test location as detailed in Test Method Q050.
- 5.2 Clean the test surface by sweeping using the soft hand brush.
- 5.3 Spray the test surface with the dilute solution of detergent.
- 5.4 Select the plate size and corresponding putty volume for the test. Select the small plate and 12.82 mL putty volume for fine textured surfaces while the large plate and 25.64 mL putty volume is preferred for coarse textured surfaces.
- 5.5 Combine the two parts of the pre measured silicone putty together, mix by kneading and form into an approximate sphere.
- 5.6 Place the sphere of putty on the pavement surface.
- 5.7 Centre the recess of the test plate over the putty and press the plate down in firm contact with the pavement surface. Use of the 25 kg weight on the test plate for 1 minute is sufficient to achieve this contact.
- 5.8 After 1 - 2 minutes, remove the weight and the test plate from the pavement surface. The flattened silicone putty should remain on the pavement surface.
- 5.9 Measure the diameter of the flattened putty at 4 approximately equally spaced locations to the nearest 1 mm and record the results.
- 5.10 After 5 minutes, the flattened silicone putty should have cured sufficiently to remove intact from the pavement surface.

6 Calculations

Calculations shall be as follows:

- 6.1 Calculate the average flattened putty diameter to the nearest 1 mm.
- 6.2 Calculate the surface texture depth as follows:

$$STD = \frac{4V.1000}{\pi D^2} - 1.587$$

- where
- | | | |
|-----|---|---|
| STD | = | surface texture depth (mm) |
| V | = | proportion of the aggregate component in the mix design (%) |
| D | = | average diameter of flattened putty (mm) |

7 Reporting

The following shall be reported:

- 7.1 Surface texture depth to the nearest 0.1 mm.
- 7.2 The number of this test method, that is Q705B.

8 Notes on method

- 8.1 Before the apparatus is used for field measurements, the standard calibration procedure should be followed in the laboratory, using a flat sheet of glass as a surface with zero texture depth. If the putty is measured out correctly, it should completely fill the test plate recess.

Test Method Q707A: Permeability of road surfacing and granular materials – even flow field permeameter

1 Source

This method was developed in-house using techniques evolved through internal departmental research investigations (Waters T.J., “*Permeability of Road Surfacing and Granular Materials (Evenflow Field Permeameter)*”, Report TT363, 2001).

2 Scope

This method describes the procedure for the determination of the permeability of pavement materials using the Evenflow Field Permeameter. It is applicable to bituminous materials (for example sprayed seal, asphalt) and granular materials (where the surface is reasonably flat and well compacted) having permeability values within the range 0.04 to 1500 μ m/s. The guidelines included for categorising permeability values were developed specifically for asphalt, although they do have application to other materials.

3 Apparatus

The following apparatus is required:

- 3.1 Field permeameter, consisting of an inverted clear plastic conical funnel attached to a rigid plastic base plate as follows (Figure 1):
 - a) Base plate (Figure 2) with a diameter of about 200 mm and a thickness of about 20 mm. Containing a centrally located circular hole of diameter 100 ± 1 mm. Form a circular groove around the hole in the top surface of the base plate to locate the top edge of the inverted funnel centrally over the hole. The top surface of the base plate extending beyond the bottom surface by about 10 mm to enhance removal of the base plate from the pavement at the completion of the test.
 - b) Funnel will have a top internal diameter of about 150 mm and a height of about 230 mm. The stem of the funnel having an external diameter of about 14 mm and an internal diameter of about 12 mm, and
 - c) With the inverted funnel inserted into the groove on the base plate, apply silicone sealant externally over the join between the funnel and the base plate to secure the funnel. Mark the funnel at heights of 100 mm, 150 mm and 200 mm above the bottom of the base plate.
- 3.2 Small funnel, with a top internal diameter of about 65 mm and a ribbed stem to provide an air gap when fitted into the permeameter funnel. Reduce the length of the stem as required so that, when positioned in the permeameter funnel, the bottom of its stem is approximately 10 mm above the 200 mm mark on the stem of the permeameter funnel.
- 3.3 Annular template, of diameter 190 mm and containing a centrally located hole of 110 mm diameter (bituminous materials only).
- 3.4 Annular restraining weight, of mass about 4 kg and of suitable dimensions to allow positioning over the permeameter funnel to rest on the base plate.
- 3.5 Stop watch or other suitable timing device readable to 0.1 s.
- 3.6 Measuring cylinder, plastic measuring cylinder of 100 mL capacity.
- 3.7 Beakers, plastic beakers of appropriate capacity (for example, 100 mL, 600 mL and 1000 mL).

- 3.8 Water container, having a capacity of at least 10 litres.
- 3.9 Spatula, to aid application of the silicone sealant to the pavement or base of the permeameter.
- 3.10 Marking crayon.
- 3.11 Assorted implements, for cleaning of the pavement before and after testing (for example wire brush, broom, paint scraper).

4 Materials

The following materials are required:

- 4.1 Silicone sealant, neutral cure (Note 8.1).
- 4.2 Potable water.

5 Procedure

The procedure shall be as follows:

- 5.1 Remove any loose material from the pavement.
- 5.2 Attach the permeameter to the pavement using the appropriate method as follows:
 - 5.2.1 Granular Material (Note 8.2)
 - a) Apply silicone sealant to the base of the permeameter to a thickness of about 2 mm.
 - b) Press the permeameter firmly onto the pavement.
 - 5.2.2 Sprayed Seal/Asphalt Material
 - a) Place the annular template on the pavement and use the crayon to mark two concentric circles of diameter 100 mm and 200 mm (Note 8.3).
 - b) Apply silicone sealant to the pavement between the two concentric circles and spread it out evenly to a final thickness of about 2 mm using a spatula (Note 8.4).
 - c) Align the base plate with the 200 mm diameter circle and press the permeameter firmly onto the pavement.
- 5.3 Position the restraining weight onto the base plate.
- 5.4 Place the small funnel into the stem of the permeameter funnel.
- 5.5 Using a beaker of appropriate capacity, pour water into the small funnel to fill the permeameter funnel to the 100 mm mark.
- 5.6 Check for leaks at the base of the permeameter. If any leakage is observed, caulk the area with additional silicone sealant (Note 8.5).
- 5.7 Continue adding water to the permeameter to maintain the water level above the 100 mm mark for 5 minutes or until 600 mL of water has passed through the pavement.
- 5.8 Immediately add additional water as required to raise the water level to just above the 200 mm mark. Discontinue the addition of water and record the time taken for the water level to drop from the 200 mm mark to the 150 mm mark to the nearest 0.1 seconds.

5.9 If the time recorded in Step 5.8 exceeds 2 seconds, use the falling head method. Otherwise, use the constant head method. The relevant method will be as follows:

5.9.1 Falling head method

Repeat Step 5.8 twice.

5.9.2 Constant head method

a) Allow the water level in the permeameter funnel to fall to the 100 mm mark, start the timer and then progressively pour 100 mL of water from the measuring cylinder into the funnel at a rate that maintains the water level in the permeameter funnel at the 100 mm mark.

b) Record the time in seconds to transfer 100 mL of water to the permeameter funnel to the nearest 0.1 seconds.

c) Add additional water as required to raise the water level in the permeameter above the 100 mL mark.

d) Repeat Steps 5.9.2 a) to c).

e) Repeat Steps 5.9.2 a) to b).

5.10 Remove the silicone sealant from the base of the permeameter and the bulk of the silicone sealant from the pavement.

6 Calculations

Calculations shall be as follows:

6.1 Falling head method

6.1.1 Calculate the average of the three time measurements (t).

6.1.2 Calculate the volume of the stem of the permeameter funnel between the 150 mm and 200 mm marks as follows (Note 8.6):

$$V = \frac{\pi D^2}{80}$$

where V = volume of stem between 150 mm and 200 mm marks (mL)

D = internal diameter of stem at 175 mm mark (mm)

6.1.3 Calculate the permeability as follows:

$$k = \frac{25.5V}{t}$$

where k = permeability (µm/s)

V = volume of stem between 150 mm and 200 mm marks (mL)

t = average time (s)

6.2 Constant head method

6.2.1 Calculate the average of the three time measurements (t).

6.2.2 Calculate the permeability as follows:

$$k = \frac{3819}{t}$$

where k = permeability (µm/s)
t = average time (s)

7 Reporting

The following shall be reported:

- 7.1 Test location including a longitudinal (chainage) and a lateral (offset) reference.
- 7.2 Test site description including pavement type and surface condition.
- 7.3 Permeability to three significant figures (µm/s).
- 7.4 Permeability category and description (Table 1).

8 Notes on method

- 8.1 Before handling the silicone sealant, the operator should consult the relevant SDS.
- 8.2 For granular materials, trial runs may be necessary to ensure that there is sufficient silicone sealant to effectively seal the permeameter without contaminating the exposed surface with an excess of sealant. It is desirable to keep the diameter of the exposed surface as close as possible to 100 mm.
- 8.3 The dimensions of the annular template allow for a 5 mm gap between the line marked by the crayon and the edge of the template. If necessary, the marking technique should be adjusted to ensure that the internal diameter of the smaller circle is 100 mm.
- 8.4 The sealant should be applied in a manner which spreads the sealant to, but not inside, the 100 mm diameter circle when the permeameter is pressed into position on the pavement.
- 8.5 It is normal for water to escape through the pavement surface at the outside edge of the base plate and this does not constitute leakage.
- 8.6 Alternatively, the stem end of the permeameter funnel can be stoppered, the permeameter inverted and water added to the 200 mm mark. The volume of water between the 200 mm and 150 mm marks can then be measured directly to the nearest 0.1 mL using a burette.

Table 1 – Permeability category and description

Permeability (µm/s)	Category	Description
0.01 - 0.10	A1	Very low permeability
0.11 - 1.00	A2	Low permeability
1.01 – 10.0	B	Moderately permeable
10.1 - 100	C	Permeable
101 - 1000	D	Moderately free draining
1001 - 10000	E	Free draining

Figure 1 – Evenflow field permeameter

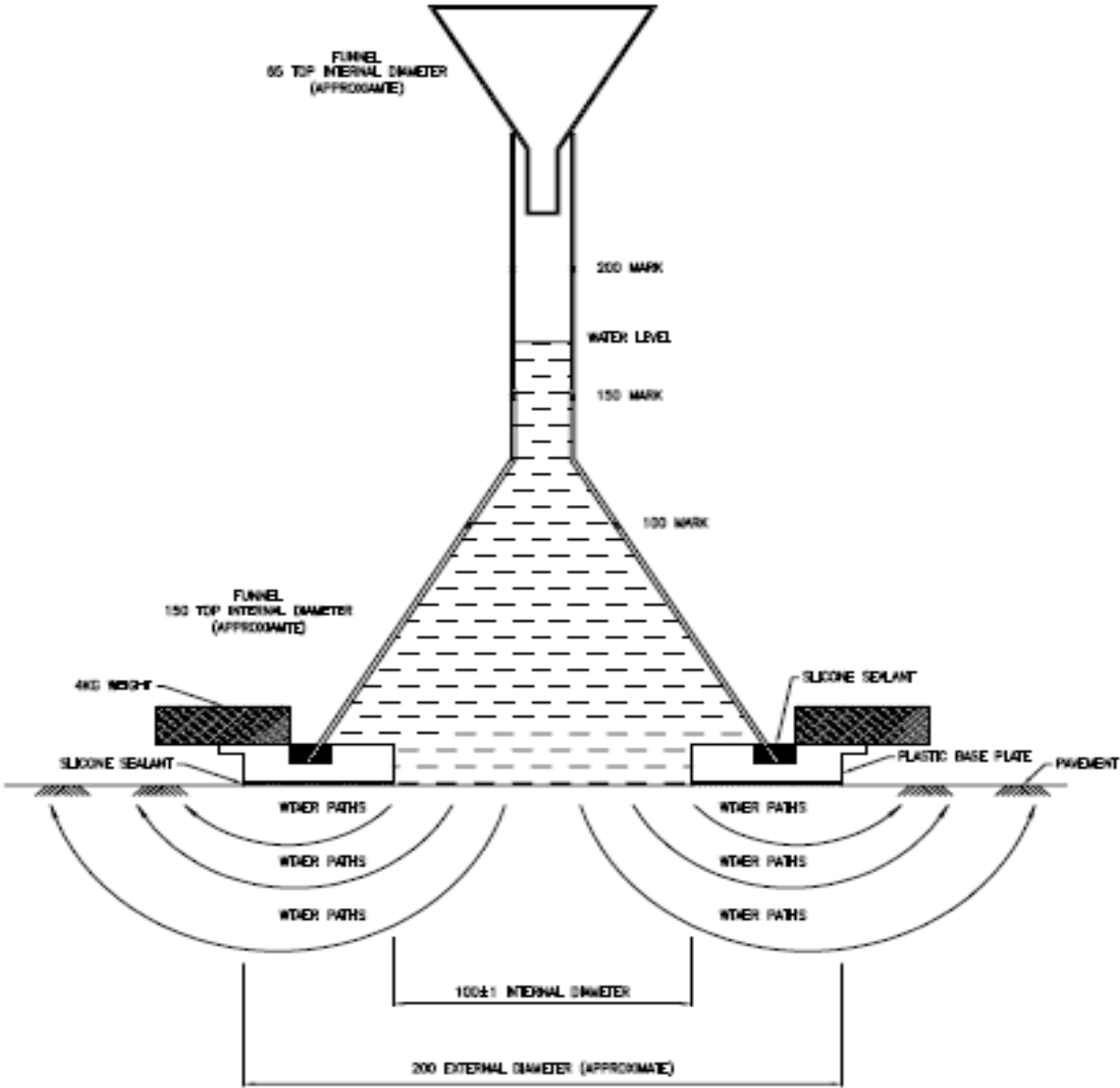
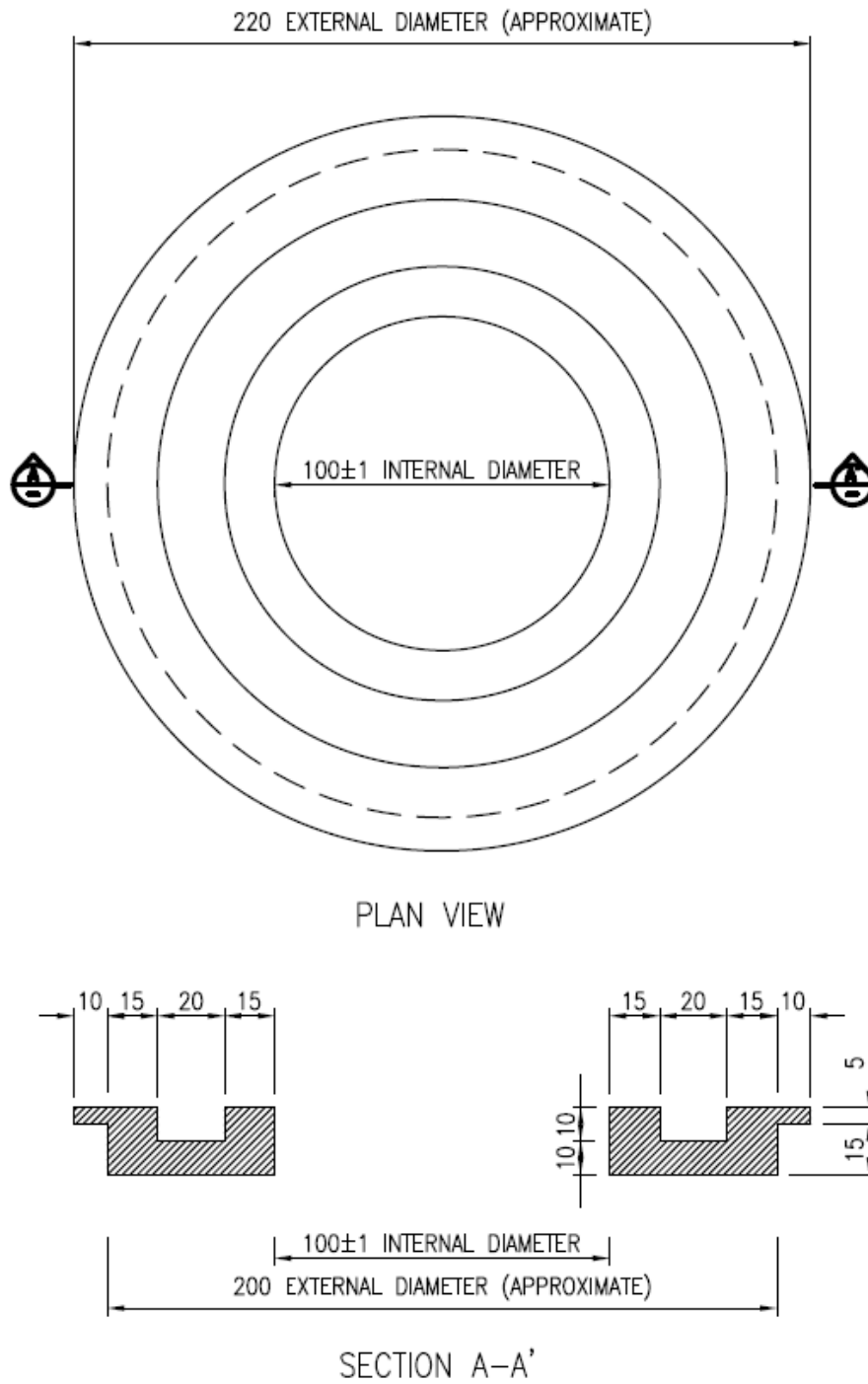


Figure 2 – Plastic base plate



Test Method Q707B: Permeability of road surfacing and granular materials – rapid flow field permeameter

1 Source

This method was developed in-house using techniques evolved through internal departmental research investigations (Waters, T.J., “*Permeability of Road Surface Materials Using the Rapidflow Field Permeameter*”, Report TT305, 1999).

2 Scope

This method describes the procedure for the determination of the permeability of pavement materials using the Rapid Flow Field Permeameter. It is applicable to bituminous materials (for example sprayed seal, asphalt) and granular materials (where the surface is reasonably flat and well compacted) having permeability values within the range 10 to 5000 mm/s.

3 Apparatus

The following apparatus is required:

- 3.1 Field permeameter (Figure 1), consisting of a cylinder of clear rigid plastic (for example Perspex) attached to a rigid plastic base plate as follows:
 - a) Base plate (Figure 2) with a diameter of about 200 mm and a thickness of about 20 mm. Containing a centrally located circular hole of diameter 100 ± 1 mm. Form a circular groove around the hole in the top surface of the base plate to locate the top edge of the inverted funnel centrally over the hole. The top surface of the base plate extending beyond the bottom surface by about 10 mm to enhance removal of the base plate from the pavement at the completion of the test.
 - b) Cylinder with a height of about 215 mm, an internal diameter of about 145 mm and an outside diameter of about 152 mm, and
 - c) With the bottom of the cylinder inserted in the groove on the base plate, apply silicone sealant externally over the joint between the cylinder and the base plate. Mark the cylinder with etched lines at heights of 165 mm and 185 mm above the bottom of the base plate. The top of the cylinder should be about 225 mm above the bottom of the base plate (the base plate accounts for approximately 10 mm).
- 3.2 Annular template, of diameter 190 mm and containing a centrally located hole of 110 mm diameter (bituminous materials only).
- 3.3 Stop watch or other suitable timing device readable to 0.1 seconds.
- 3.4 Containers, of 10 L and 1 L capacity and fitted with a pouring lip.
- 3.5 Water container, having a capacity of at least 20 L.
- 3.6 Spatula, to aid application of the silicone sealant to the pavement or base of the permeameter.
- 3.7 Marking crayon.
- 3.8 Assorted implements, for cleaning of the pavement before and after testing (for example wire brush, broom, paint scraper).

4 Materials

The following materials are required:

- 4.1 Silicone sealant, neutral cure (Note 8.1).
- 4.2 Potable water.

5 Procedure

The procedure shall be as follows:

- 5.1 Remove any loose material from the pavement.
- 5.2 Attach the permeameter to the pavement using the appropriate method as follows:
 - 5.2.1 Granular Material (Note 8.2)
 - a) Apply silicone sealant to the base of the permeameter to a thickness of about 2 mm.
 - b) Press the permeameter firmly onto the pavement.
 - 5.2.2 Sprayed Seal/Asphalt Material
 - a) Place the annular template on the pavement and use the crayon to mark two concentric circles of diameter 100 mm and 200 mm (Note 8.3).
 - b) Apply silicone sealant to the pavement between the two concentric circles and spread it out evenly to a final thickness of about 2 mm using a spatula (Note 8.4).
 - c) Align the base plate with the 200 mm diameter circle and press the permeameter firmly onto the pavement.
- 5.3 Using the containers as appropriate, pour water into the cylinder to fill it to the 165 mm mark.
- 5.4 Check for leaks at the base of the permeameter. If any leakage is observed, caulk the area with additional silicone sealant (Note 8.5).
- 5.5 Continue adding water to the permeameter to maintain the water level at the 165 mm mark for 5 minutes or until 600 mL of water has passed through the pavement.
- 5.6 Immediately add additional water as required to raise the water level to the 185 mm mark. Discontinue the addition of water and record the time taken for the water level to drop from the 185 mm mark to the 165 mm mark to the nearest 0.1 seconds.
- 5.7 Repeat Step 5.6 twice.
- 5.8 Remove the silicone sealant from the base of the permeameter and the bulk of the silicone sealant from the pavement.

6 Calculations

Calculations shall be as follows:

- 6.1 Calculate the average of the three time measurements (t).
- 6.2 Calculate the volume of the cylinder between 165 mm and 185 mm marks as follows:

$$V = \frac{\pi D^2}{200}$$

where V = volume of cylinder between 165 mm and 185 mm marks (mL)

D = internal diameter of the cylinder (mm)

6.2.1 Calculate the permeability as follows:

$$k = \frac{25.5V}{t}$$

where k = permeability (µm/s)

V = volume of cylinder between 165 mm and 185 mm marks (mL)

t = average time (s)

7 Reporting

The following shall be reported:

Test location including a longitudinal (chainage) and a lateral (offset) reference.

7.1 Test site description including pavement type and surface condition.

7.2 Permeability to three significant figures (µm/s).

7.3 Permeability category and description (Table 1).

8 Notes on method

8.1 Before handling the silicone sealant, the operator should consult the relevant SDS.

8.2 For granular materials, trial runs may be necessary to ensure that there is sufficient silicone sealant to effectively seal the permeameter without contaminating the exposed surface with an excess of sealant. It is desirable to keep the diameter of the exposed surface as close as possible to 100 mm.

8.3 The dimensions of the annular template allow for a 5 mm gap between the line marked by the crayon and the edge of the template. If necessary, the marking technique should be adjusted to ensure that the internal diameter of the smaller circle is 100 mm.

8.4 The sealant should be applied in a manner which spreads the sealant to, but not inside, the 100 mm diameter circle when the permeameter is pressed into position on the pavement.

8.5 It is normal for water to escape through the pavement surface at the outside edge of the base plate and this does not constitute leakage.

Table 1 – Permeability category and description

Permeability (µm/s)	Category	Description
1.01 – 10.0	B	Moderately permeable
10.1 - 100	C	Permeable
101 - 1000	D	Moderately free draining
1001-10000	E	Free draining

Figure 1 – Rapid flow field permeameter

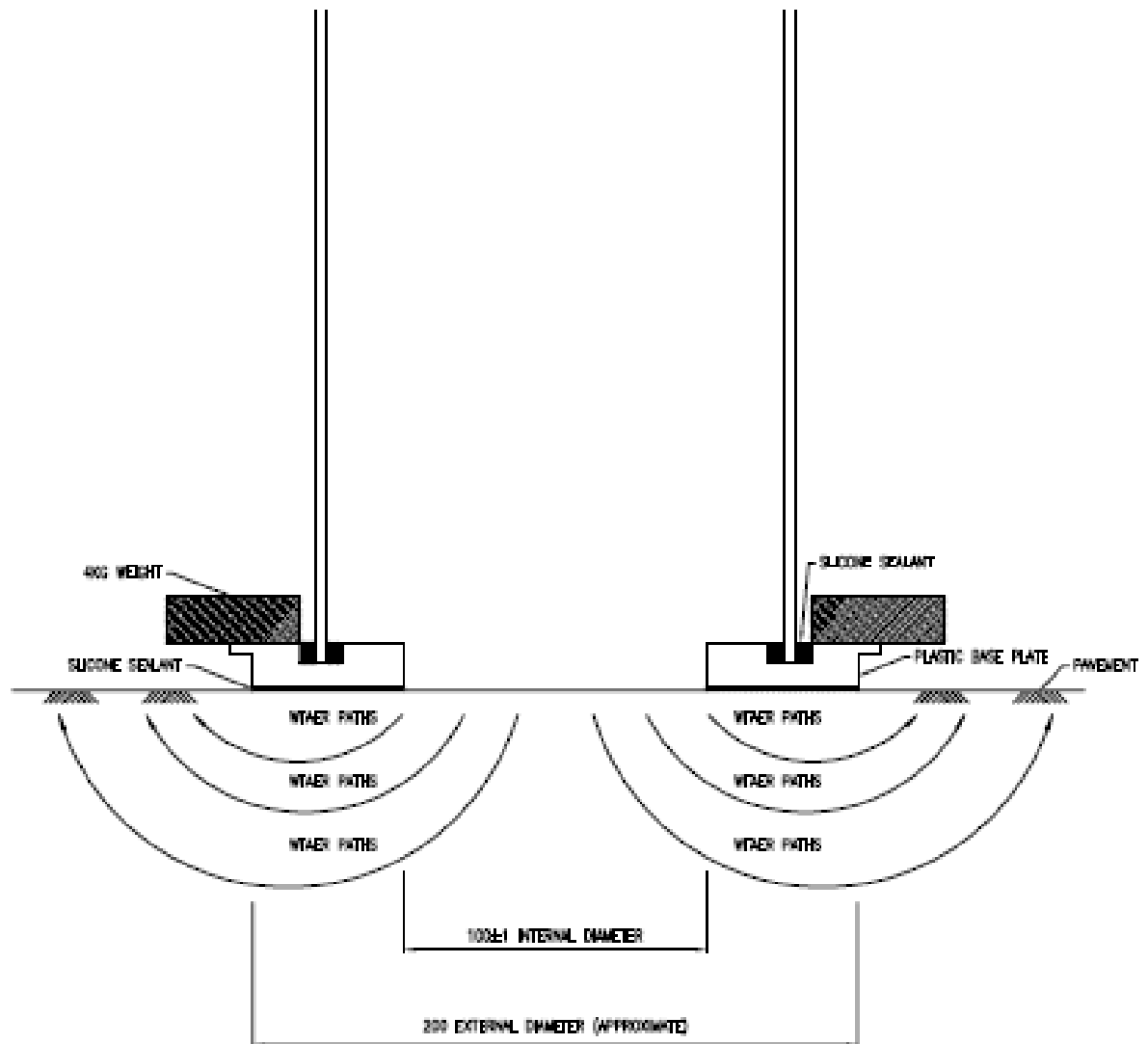
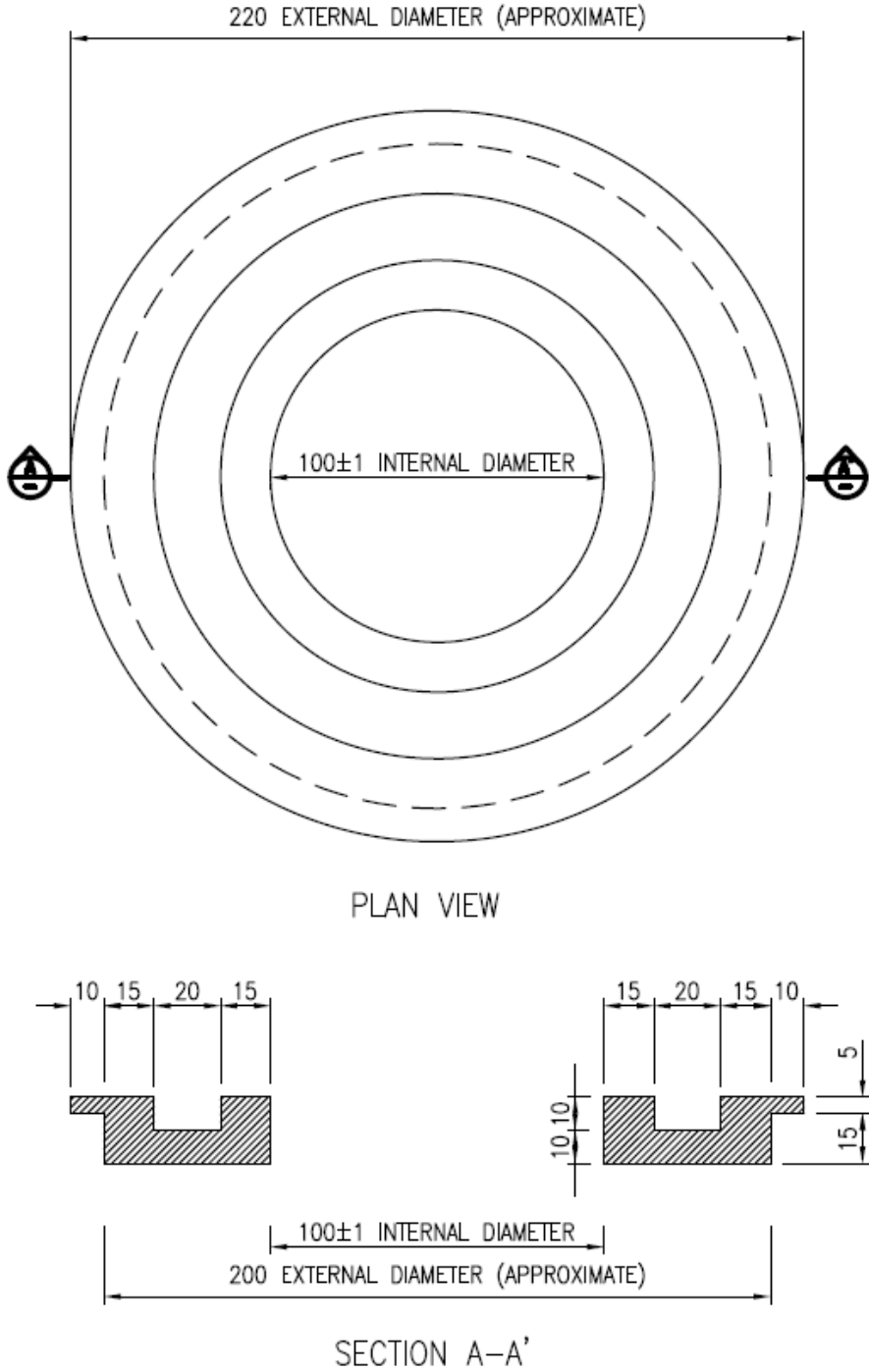


Figure 2 – Plastic base plate



Test Method Q708B: Road roughness – surface evenness – two laser profilometer

1 Source

This method was developed in-house using information obtained from the following technical references:

- ASTM Test Method E 1926-98 (2003): *Standard practice for computing International Roughness Index of roads from profile measurements.*
- ASTM Test Method E 950-09 (2018): *Standard test method for measuring the longitudinal profile of travelled surfaces with an accelerometer-established inertial proofing reference.*
- Austroads Test Method AG:AM/T001: *Pavement Roughness Measurement with an Inertial Profilometer.*

2 Scope

This test method defines the procedure for measuring the road roughness or surface evenness of road pavements, for construction compliance testing. The roughness is determined from direct measurement of the longitudinal profile in each wheel path using a vehicle-mounted inertial laser based non-contact device (that is, a two laser Profilometer).

The roughness measurement is expressed in terms of International Roughness Index (IRI). This index is obtained by quarter-car simulation at a set speed of 80 km/h using standardised suspension characteristics over a longitudinal profile.

The roughness measurement produced by this method is the section IRI, using the average of the two individual wheel path IRI values obtained separately for each wheel path of a lane. Conversion of section IRI to equivalent NAASRA Roughness Meter counts is included.

3 Definitions

For the purpose of this method, the following definitions shall apply:

- 3.1 Longitudinal profile – the shape of a pavement surface measured as vertical distances from a datum horizontal plane along the direction of traffic flow.
- 3.2 Inertial profilometer – vehicle mounted laser-based non-contact device used for measuring the longitudinal profile of a road pavement within a given range of wavelengths of surface irregularities.
- 3.3 International Roughness Index (IRI) – mathematical model of the dynamic response of a real motor vehicle travelling along a single wheel path (or wheel track) of longitudinal road profile, referred to as the quarter-car (or World Bank) model. The IRI is expressed in terms of accumulated displacement of the simulated suspension in metres per measured kilometre (m/km). IRI can be reported in different ways, as follows:

- Single Track IRI

The IRI based on a quarter-car model run at 80 km/h over a single wheel path of longitudinal profile (ASTM E1926-08).

- Section IRI

This is a composite IRI value representing the roughness of a section determined by the Single Track IRI track averaging (quarter-car method). Using the Single Track IRI averaging

(quarter-car) method, Section IRI is determined by averaging two individual Single Track IRI values obtained separately in each wheelpath of a lane (at 0.75 m on either side of the centre of the lane mid-track).

- 3.4 Section – a test lane is divided into sections that are 100 m in length.
- 3.5 Two laser profilometer – a vehicle fitted with lasers and accelerometers that records the longitudinal profile, to Class 1 standard, in each wheel path, at highway speed. The Class 1 profile standard requires a longitudinal sampling interval of less than or equal to 25 mm.
- 3.6 Wheel path – the path 0.75 m on either side of the centre of the lane.
- 3.7 NAASRA Roughness Meter – standard mechanical device used extensively in Australia and New Zealand since the 1970s for measuring road roughness by recording the upward movement of the rear axle of a standard station wagon relative to the vehicle's body as the vehicle travels at a standard speed along the road being tested. A cumulative upward vertical movement of 15.2 mm corresponds to 1 NAASRA Roughness Count. For reporting purposes, this test method allows for the determination of NAASRA Roughness Counts.

4 Apparatus

The following apparatus is required:

- 4.1 A two laser profilometer comprising the following equipment is required:
 - a) Vehicular platform, capable of transporting the profilometer testing equipment and operators at highway speeds.
 - b) Two accelerometers to establish the inertial reference that enables reference to be maintained at the level of resolution and accuracy required for the laser displacement measurement transducers. Typically, for this application a minimum sample rate of 100 Hz and a range of ± 2 g is sufficient.
 - c) Two laser displacement transducers that measure the distance between the accelerometers and the road surface. The laser displacement transducers shall be set to ensure mid-range operation during normal testing. Lasers suitable for this application typically have a stand-off height of 300 mm, a measuring range of 200 mm and a sample rate of 8–16 kHz. The lasers shall have a resolution equal to or less than 0.1 mm and an accuracy of 0.38 mm (1 x standard deviation).
 - d) The lasers and accelerometers are mounted 750 mm left and right of the longitudinal centreline of the vehicle.
 - e) Distance measuring rotational encoder capable of measuring the distance travelled to an accuracy of $\pm 0.1\%$ over a distance of 1.0 km and having a resolution of 5 mm per pulse to enable data acquisition to be triggered at an interval of 25 mm.
 - f) Data logger, capable of capturing the output from the lasers and accelerometers at equal intervals of 25 mm.
 - g) Automatic trigger, capable of starting and/or stopping the data collection may be used, and
 - h) Computer, to calculate the profile from the laser and accelerometer data and analyse the profile data using the quarter-car model to obtain the IRI.
- 4.2 Manufacturer's user manual for operating the test equipment.

- 4.3 Flat base plates, gauge blocks and any other equipment required by the manufacturer user manual for the calibration of the laser displacement transducers.

5 Calibration and validation

Equipment calibration and validation shall be performed as follows:

5.1 Equipment calibration

5.1.1 Distance encoder

- a) Calibrate the distance encoder by driving the host vehicle over a known distance (1 km to an accuracy of ± 1 m) and recording the number of pulses produced by the encoder.
- b) Store the calibration factor and associated information (such as, the date and time of calibration). Use this for all subsequent testing until a new distance calibration is performed.
- c) Calibrate the distance encoder whenever fitting a new distance encoder to the vehicle or when changing the wheels or tyres. Re-calibrate periodically to compensate for tyre wear.

5.1.2 Accelerometers

Undertake calibration and checking of the accelerometers in accordance with the procedures and requirements stated in the manufacturer's user manual.

5.1.3 Laser Displacement Transducers

- a) Perform the calibration of the laser displacement transducers immediately following any change to the transducers or a change to any part of the host vehicle that may interfere with the existing calibration.
- b) Perform the calibration of the laser displacement transducers using the gauge blocks and flat plates in accordance with the procedures and requirements stated in the manufacturer's user manual.

5.2 System validation

Validate the system as follows every 12 months:

- 5.2.1 Perform the distance measurement validation as detailed in Austroads Test Method AG:AM/T005.

- 5.2.2 Perform the roughness measurement validation as detailed in either:

- a) Austroads Test Method AG:AM/T003 except the validation loop is the Roads and Maritime Services loop near Newcastle in New South Wales, or
- b) Austroads Test Method AG:AM/T002 using an ARRB walking profilometer.

5.3 Pre-test checks

- 5.3.1 If the laser displacement transducers are of a demountable design, calibrate the transducers as detailed in Step 5.1.3 each time the lasers are refitted to the vehicle.

- 5.3.2 Perform the manufacturer's operation validation test (bounce test) before the start of each day's testing as detailed in the manufacturer's user manual (Note 9.1).

- 5.3.3 If the recorded roughness during the bounce phase of the test exceeds 0.15 IRI m/km or 3 NAASRA counts/km, the validation test has failed and the equipment requires recalibration, repair or replacement as appropriate.

6 Procedure

The procedure shall be as follows (Note 9.2):

- 6.1 Select the test length such that it includes sufficient length of pavement to allow for acceleration and deceleration of the vehicle. The test length must include a maximum number of 100 m sections to be planned and tested. This is particularly important where the pavement test surface does not join the existing pavement smoothly or includes incomplete structures. In such situations, allow a length of 30 m at the start and finish of the section as 'lead in' and 'lead out' areas that are not included in the test section. Relate all start and finish points to either job chainages or other fixed references such as bridges, intersections, and so on.
- 6.2 Ensure that the test length is dry and sufficiently clean and note any abnormal surface conditions that could affect the roughness results (Note 9.3).
- 6.3 Select the vehicle speed for testing (Note 9.4).
- 6.4 Check the vehicle tyre pressures against the vehicle manufacturer's recommendation and adjust if necessary, to maintain the calibration of the distance encoder.
- 6.5 Follow the instructions in the manufacturer's user manual to measure the surface profile along each wheel path in the test lane, at a relatively constant speed, with the vehicle travelling along the centre of the lane being tested (Note 9.5), ensuring the following:
 - 6.5.1 The test vehicle is travelling within the operating speed range prior to the defined start point of the survey.
 - 6.5.2 Make no attempt to avoid pavement defects unless they are likely to damage the vehicle and / or jeopardise safety.
 - 6.5.3 Avoid sudden braking and acceleration of the vehicle.
 - 6.5.4 Conduct no testing if the surface is wet or it is raining as this can affect the accuracy of the laser readings.
 - 6.5.5 Conduct no testing in extremely dusty conditions as this can affect the accuracy of the laser readings.
- 6.6 Conduct three test runs for each traffic lane.
- 6.7 Record any events during testing that may affect roughness measurements including the following (Note 9.6):
 - a) Roundabouts
 - b) Bridge
 - c) Railway crossing or grids
 - d) Intersections
 - e) Inspection pit covers
 - f) Side streets
 - g) Change of seal / construction joint
 - h) Pothole / patch / pavement defect, and
 - i) Surface defects related to culverts.
- 6.8 Record any events during testing that may provide location references including the following (Note 9.6):

- a) Bridge
- b) Intersection
- c) Railway crossing, and
- d) Reference points.

7 Calculations

Calculations shall be as follows:

- 7.1 From the measured profile of each wheel path, calculate the IRI for each wheel path (IRI_L , IRI_R) using the quarter-car model (m/km) and follows:

$$IRI_{L\text{ or }R} = \frac{\sum IRI}{n}$$

where $IRI_{L\text{ or }R}$ = Mean left or right wheel path IRI (m/km)

IRI = Mean wheel path IRI (m/km)

n = 3 (number of test runs)

- 7.2 Calculate the Section IRI as follows:

$$IRI = \frac{IRI_L + IRI_R}{2}$$

where IRI = Section IRI (m/km)

IRI_L = Left wheel path IRI (m/km)

IRI_R = Right wheel path IRI (m/km)

- 7.3 If required, calculate the NAASRA roughness (counts/km) as follows:

$$N = (26.49 \text{ IRI}) - 1.27$$

where N = NAASRA roughness (counts/km)

IRI = Section IRI (m/km)

8 Reporting

The following shall be reported:

- 8.1 Report the following general information for each test run:
- a) Survey title / file name
 - b) Date and time of test
 - c) Test vehicle / equipment identification
 - d) Operator and driver
 - e) Road number or job number
 - f) Test direction
 - g) Start and end references, for example local project reference or GNSS reference

- h) Surface type
- i) Any event recorded during testing that may affect roughness measurements, and
- j) Any event recorded during testing for location references.

8.2 Report the following values for each section:

- a) End distance
- b) Left / outer / passenger wheel path IRI to the nearest 0.01 m/km
- c) Right / inner / driver wheel path IRI to the nearest 0.01 m/km
- d) Section IRI to the nearest 0.01 m/km
- e) NAASRA roughness to the nearest 1 count/km, and
- f) Test speed (km/h).

8.3 The number of this test method, that is Q708B.

9 Notes on method

- 9.1 This test simulates a bouncing vehicle travelling along a completely flat surface. The measured profile should be zero as the movement of the laser transducers is expected to be cancelled out by the accelerometers. However, due to electronic noise and other factors, a negligible roughness value is usually recorded.
- 9.2 A driver and operator are required to perform this test unless automatic triggering of the data collection is used.
- 9.3 Sweep unsealed pavement layers prior to testing.
- 9.4 Profile based roughness testing is not speed dependent within the recommended operating speed range which is generally 25 to 100 km/h. As a safety precaution, most systems automatically cut power to the lasers if the vehicle speed drops below around 10 km/h. When testing under traffic, adopt a test speed of no less than 15 km/h under the posted or signed speed limit. When testing on construction sites, the test speed is not critical; however, it is preferable but not essential that the selected test speed, within the equipment's operating range, be maintained throughout the test run.
- 9.5 In the absence of defined traffic lanes, conduct testing in areas as directed by the site engineer or supervisor.
- 9.6 The number of events that can be recorded is a function of the test equipment system.

Test Method Q708C: Road roughness – surface evenness - static level and staff

1 Source

This method was developed in-house using information obtained from the following technical references:

- Sayers M.V., Gillespie T.D. and Paterson W.D.O, *Guidelines for Conducting and Calibrating Road Roughness Measurements, World Bank Technical Paper Number 46*, January 1986.
- ASTM Test Method E 1926-98 (2003): *Standard practice for computing International Roughness Index of roads from profile measurements.*
- Austroads Test Method AG:AM/T001: *Pavement Roughness Measurement with an Inertial Profilometer.*

2 Scope

This test method defines a procedure for measuring the road roughness or surface evenness of road pavements, for construction compliance testing. The roughness is determined from direct measurement of the longitudinal profile in each wheel path using a static level and staff.

Although labour intensive, this method is suitable for testing short sections of pavements which cannot be tested with vehicle based test methods.

The roughness measurement is expressed in terms of International Roughness Index (IRI). This index is obtained by quarter-car simulation at a set speed of 80 km/h using standardised suspension characteristics over a longitudinal profile.

The single roughness measurement produced by this method is the lane IRI, using the average of the two individual wheel path IRI values obtained separately for each wheel path of a lane. Conversion of lane IRI to equivalent NAASRA Roughness Meter counts is included. Generally, a test lot is defined as having minimum length of 100 m and a maximum length of 500 m .

3 Definitions

For the purpose of this method, the following definitions shall apply:

- 3.1 Longitudinal profile - is the shape of a pavement surface measured as vertical distances from a datum horizontal plane along the direction of traffic flow.
- 3.2 Level and staff profiles - An automatic surveyor's level and staff can produce profiles to Class 2 standard. Class 2 Profile Standard requires a maximum sample interval, between elevation points, of 500 mm and a precision of the elevation measures of 1.0 mm. The precision of Class 2 is adequate for the calibration of vehicle based response type roughness meter systems such as the NAASRA Roughness Meter.
- 3.3 International Roughness Index (IRI) - is a mathematical model of the dynamic response of a real motor vehicle travelling along a single wheel path (or wheel track) of longitudinal road profile, referred to as the quarter-car (or World Bank) model. The IRI is expressed in terms of accumulated displacement of the simulated suspension in metres per measured kilometre (m/km). IRI can be reported in different ways, as follows:
 - Single Track IRI

The IRI based on a quarter-car model run at 80 km/h over a single wheel path of longitudinal profile (ASTM E1926-08).

- Lane IRI

This is a composite IRI value representing the roughness of a road lane section determined by the Single Track IRI track averaging (quarter-car method). Using the Single Track IRI averaging (quarter-car) method, Lane IRI is determined by averaging two individual Single Track IRI values obtained separately in each wheel path of a lane (at 0.75 m on either side of the centre of the lane mid-track).

3.4 Wheel path – the path 0.75 m on either side of the centre of the lane.

3.5 NAASRA Roughness Meter - standard mechanical device used extensively in Australia and New Zealand since the 1970s for measuring road roughness by recording the upward movement of the rear axle of a standard station wagon relative to the vehicle's body as the vehicle travels at a standard speed along the road being tested. A cumulative upward vertical movement of 15.2 mm corresponds to 1 NAASRA Roughness Count. For reporting purposes, this test method allows for the determination of NAASRA Roughness Counts.

4 Apparatus

The following apparatus is required:

4.1 Tape, surveyor's tape to locate and mark the positions along the wheel paths of the lane where the elevation measures are to be taken, having an accuracy within 0.2% of its total length.

4.2 Level, automatic surveyor's level to provide the height readings from the staff (Note 8.1).

4.3 Staff, standard metric staff, which enables 10 mm values to be read directly and the 1 mm values to be visually estimated. A bubble level attached to the staff is required to keep the staff vertical to maintain the precision of the height measurements (Note 8.1).

4.4 Computer, to process the height measurements, generate the longitudinal profiles and analyse the profile data using the quarter-car model to obtain the IRI.

4.5 Means for securing the tape (for example, weights or adhesive tape).

4.6 Means for marking the wheel paths (for example, chalk or paint).

5 Procedure

The procedure shall be as follows (Note 8.2):

5.1 Clearly mark the transverse location of the wheel paths with chalk or paint at a maximum of 15 m intervals from the start and ensure that the start and end points for each tape set-up are also marked.

5.2 Place the tape on a wheel path with the zero position on the tape at the start of the wheel path to be tested. Secure the tape with weights or adhesive tape.

5.3 Place the level at a location that allows focusing on the staff at the start of the tape and over as much of the length of the tape as possible. Location of the level in line with the wheel path will minimise viewing adjustment.

5.4 At 500 mm intervals along the tape, measure and record the distance between the road surface and an arbitrary height associated with the level.

5.5 Move the tape such that the new zero point coincides with the old end point and secure the tape with weights or adhesive tape.

- 5.6 Before moving the level, identify the last measurement in the field notes. Mark the location of the measurement on the road if necessary. This point on the road is the pivot point for the change in instrument height that occurs with the new set-up.
- 5.7 Repeat Steps 5.3 to 5.6 until reaching the end of the test section.
- 5.8 Repeat Steps 5.2 to 5.7 for the other wheel path to be tested.

6 Calculations

Calculations shall be as follows:

- 6.1 Using a computer, enter the level measurements for each wheel path and calculate the longitudinal profile for each wheel path using a start chainage of 0 m and an arbitrary start elevation.
- 6.2 Plot the first 10 to 20 m of each longitudinal profile and use this to estimate an elevation at a location 11 m before the profile start, such that a line joining this point to the profile provides a smooth lead-in to the profile. Use the lead-in slope for initialising the IRI computation. The 11 m represents 0.5 seconds of travel at 80 km/h of the quarter-car model.
- 6.3 Add this point (chainage - 11.0 m with its estimated elevation) to the start of the profile data.
- 6.4 From the measured profile of each wheel path, calculate the IRI for each wheel path (IRI_L , IRI_R) using the quarter-car model (m/km) (Note 8.3).
- 6.5 Calculate the lane IRI as follows (Note 8.3):

$$IRI = \frac{IRI_L + IRI_R}{2}$$

- where IRI = Lane IRI (m/km)
- IRI_L = Left wheel path IRI (m/km)
- IRI_R = Right wheel path IRI (m/km)

- 6.6 If required, calculate the NAASRA roughness (counts/km) as follows:

$$N = (26.49 IRI) - 1.27$$

- where N = NAASRA roughness (counts/km)
- IRI = Lane IRI (m/km)

7 Reporting

The following shall be reported:

- 7.1 Report the following general information for each test run:
 - a) Survey title/file name
 - b) Date and time of test
 - c) Operators
 - d) Road number or job number

- e) Test direction and lane description
- f) Start and end references.

7.2 Report the following values for each test lot:

- a) Test lot end distance
- b) Left/outer/passenger wheel path IRI to the nearest 0.01 m/km
- c) Right/inner/driver wheel path IRI to the nearest 0.01 m/km
- d) Lane IRI to the nearest 0.01 m/km
- e) NAASRA roughness to the nearest 1 count/km, if required.

8 Notes on method

- 8.1 This will provide the required Class 2 precision.
- 8.2 Three operators are recommended for this procedure. One operator positions the staff, the second reads the heights on the level and the third operator records the results.
- 8.3 For all IRI computations, use an interval of 20 m. These results can then be aggregated to produce a Road Roughness – Surface Evenness value for each test lot.

Test Method Q708D: Road roughness – surface evenness - ARRB walking profiler

1 Source

This method was developed in-house using information obtained from the following technical references:

- Sayers M.V., Gillespie T.D. and Paterson W.D.O, *Guidelines for Conducting and Calibrating Road Roughness Measurements, World Bank Technical Paper Number 46*, January 1986.
- *Walking Profiler – Data Acquisition User Manual*, ARRB Transport Research, June 2000.
- ASTM Test Method E 1926-98 (2003): *Standard practice for computing International Roughness Index of roads from profile measurements.*
- Austroads Test Method AG:AM/T001: *Pavement Roughness Measurement with an Inertial Profilometer.*

2 Scope

This test method defines a procedure for measuring the road roughness or surface evenness of road pavements, for construction compliance testing. The roughness is determined from direct measurement of the longitudinal profile in each wheel path using the ARRB Walking Profiler.

Although slow in operation, this method is suitable for testing short sections of pavements that cannot be tested with vehicle based test methods.

The roughness measurement is expressed in terms of International Roughness Index (IRI). This index is obtained by quarter-car simulation at a set speed of 80 km/h using standardised suspension characteristics over a longitudinal profile.

The single roughness measurement produced by this method is the lane IRI, using the average of the two individual wheel path IRI values obtained separately for each wheel path of a lane. Conversion of lane IRI to equivalent NAASRA Roughness Meter counts is included. Generally, a test lot is defined as having minimum length of 100 m and a maximum length of 500 m.

3 Definitions

For the purpose of this method, the following definitions shall apply:

- 3.1 Longitudinal profile - is the shape of a pavement surface measured as vertical distances from a datum horizontal plane along the direction of traffic flow.
- 3.2 Walking profiler - precision mechanical device with a moveable platform (241.3 mm in length), fitted with a horizontally mounted accelerometer that can record the longitudinal profile, to Class 1 standard, along a wheel path at a speed of 800 metres/hour. Class 1 Profile Standard specifies a maximum sample interval between elevation points of 250 mm and a precision of the elevation measures of 0.5 mm.
- 3.3 International Roughness Index (IRI) - is a mathematical model of the dynamic response of a real motor vehicle travelling along a single wheel path (or wheel track) of longitudinal road profile, referred to as the quarter-car (or World Bank) model. The IRI is expressed in terms of accumulated displacement of the simulated suspension in metres per measured kilometre (m/km). IRI can be reported in different ways, as follows:
 - Single Track IRI

The IRI based on a quarter-car model run at 80 km/h over a single wheel path of longitudinal profile (ASTM E1926-08).

- Lane IRI

This is a composite IRI value representing the roughness of a road lane section determined by the Single Track IRI track averaging (quarter-car method). Using the Single Track IRI averaging (quarter-car) method, Lane IRI is determined by averaging two individual Single Track IRI values obtained separately in each wheelpath of a lane (at 0.75 m on either side of the centre of the lane mid-track).

3.4 Wheel path – the path 0.75 m on either side of the centre of the lane.

3.5 NAASRA Roughness Meter - standard mechanical device used extensively in Australia and New Zealand since the 1970s for measuring road roughness by recording the upward movement of the rear axle of a standard station wagon relative to the vehicle's body as the vehicle travels at a standard speed along the road being tested. A cumulative upward vertical movement of 15.2 mm corresponds to 1 NAASRA Roughness Count. For reporting purposes, this test method allows for the determination of NAASRA Roughness Counts.

4 Apparatus

The following apparatus is required:

- 4.1 ARRB Walking Profiler, calibrated in accordance with the procedure specified in the manufacturer's user manual.
- 4.2 Tape measure, to locate and mark the positions along the wheel paths of the lane to provide guidance for the walking profiler operator.
- 4.3 Paint, crayon or similar for marking alignment reference points along the wheel paths to be tested.
- 4.4 Broom, to sweep the test wheel paths, if required.
- 4.5 Thermometer for measuring the ambient operational air temperature of the walking profiler. A thermometer with a range of -5° to 100°C (minimum) and resolution of 1°C.
- 4.6 Computer, to analyse the individual wheel path and averaged wheel path longitudinal profile data using the quarter-car model to obtain the IRI.
- 4.7 Manufacturer's data acquisition user manual.

5 Procedure

The procedure shall be as follows (Note 8.1):

- 5.1 Clearly mark the transverse location of the wheel paths at 3 to 5 m intervals from the start, along the length to be tested, to facilitate accurate tracking of the walking profiler.
- 5.2 Ensure that the wheel paths are free from any loose materials, by sweeping if necessary.
- 5.3 Place the walking profiler at the start point of the first wheel path to be tested and record the ambient air temperature within the profiler cowling. If operating without a cowling, record the ambient air temperature within the workings of the profiler.
- 5.4 Over the first 20 m of the wheel path to be tested, carry out the Field Offset Trim in accordance with the manufacturer's data acquisition user manual.

- 5.5 Conduct the survey of the first test wheel path in accordance with the manufacturer's data acquisition user manual selecting metric units in the set-up.
- 5.6 Record the profiler's ambient air temperature as described in Step 5.3.
- 5.7 If the temperature at the end of the survey is within $\pm 10^{\circ}\text{C}$ of the start point temperature, accept the survey and move the profiler to the start of the next wheel path to be tested. Otherwise, repeat Steps 5.3 to 5.7.
- 5.8 Repeat Steps 5.3 to 5.7 for the second wheel path to be tested.

6 Calculations

Calculations shall be as follows:

- 6.1 Using a computer, load the profile data files for each wheel path from the walking profiler into a spreadsheet.
- 6.2 Plot the first 10 to 20 m of each longitudinal profile and use this to estimate an elevation at a location 11 m before the profile start, such that a line joining this point to the profile provides a smooth lead-in to the profile. Use this lead-in slope for initialising the IRI computation. The 11 m represents 0.5 seconds of travel at 80 km/h of the quarter-car model.
- 6.3 Add this point (chainage -11.0 m with its estimated elevation) to the start of the profile data to produce a new profile data file for each wheel path suitable for input into the IRI computation program.
- 6.4 From the measured profile of each wheel path, calculate the IRI for each wheel path (IRI_L , IRI_R) using the quarter-car model (m/km) (Note 8.2).
- 6.5 Calculate the lane IRI as follows (Note 8.2):

$$\text{IRI} = \frac{\text{IRI}_L + \text{IRI}_R}{2}$$

- where IRI = Lane IRI (m/km)
- IRI_L = Left wheel path IRI (m/km)
- IRI_R = Right wheel path IRI (m/km)

- 6.6 If required, calculate the NAASRA roughness (counts/km) as follows:

$$N = (26.49 \text{ IRI}) - 1.27$$

- where N = NAASRA roughness (counts/km)
- IRI = Lane IRI (m/km)

7 Reporting

The following shall be reported:

- 7.1 Report the following general information for each test run:
 - a) Survey title/file name
 - b) Date and time of test

- c) Operator
- d) Road number or job number
- e) Test direction and lane description
- f) Start and end references.

7.2 Report the following values for each test lot:

- a) Test lot end distance
- b) Left/outer/passenger wheel path IRI to the nearest 0.01 m/km
- c) Right/inner/driver wheel path IRI to the nearest 0.01 m/km
- d) Lane IRI to the nearest 0.01 m/km
- e) NAASRA roughness to the nearest 1 count/km, if required.

8 Notes on method

- 8.1 Only one operator is required to perform this test.
- 8.2 For all IRI computations, use an interval of 20 m. These results can then be aggregated to produce a Road Roughness – Surface Evenness value for each test lot.

Test Method Q711A: Field spread rate of cover aggregate - canvas mat

1 Source

This method was developed in-house using techniques evolved through internal departmental investigations.

2 Scope

This method describes the procedure for the determination of the spread rate of cover aggregate delivered from a mechanical spreading device to determine spreader performance in a trial run prior to use on sprayed sealing works or just beyond the conclusion of a spray run.

3 Apparatus

The following apparatus is required:

- 3.1 Balance of suitable capacity, having a resolution of at least 100 g and with a limit of performance within the range of ± 500 g. A spring balance with a capacity of 30 kg and an attached hook has been found to be suitable.
- 3.2 Square mats, made from heavy duty fabric such as canvas with a reinforced lip around the perimeter and lifting points at each corner. The reinforced lip should be approximately 35 mm in height and stand perpendicular to the mat. The mat area enclosed within the lip should be as close as practicable to one square metre (that is 1 m x 1 m) (Figure 1).
- 3.3 Tape measure, with a resolution of 1 mm.
- 3.4 Small pegs to hold the mats in place during testing.
- 3.5 Brush and scoop.

4 Procedure

The procedure shall be as follows:

- 4.1 Determine the length and breadth of each mat used (l_i , b_i).
- 4.2 Determine the mass of each mat used (m_{1i}).
- 4.3 Arrange the one or more of the mats on a level surface in an arrangement so that the spread rate across the spreading width of the aggregate spreader can be determined (Note 7.1). If required, secure the mat(s) to the surface using pegs.
- 4.4 With the spreading device travelling at the desired operating speed and other mechanical spreading equipment (for example gates, rollers) adjusted to the desired settings, drive the spreader over the arrangement of mats. Record all equipment settings.
- 4.5 After the spreader has passed over the mat(s), remove excess aggregate spread over and outside the reinforced lip of the mat. A scoop may be required to move the aggregate from the outside of the mat.
- 4.6 Determine the mass of each mat and aggregate (m_{2i}).
- 4.7 Where the spread rate is required as an area spread per volume (m^2/m^3), perform a uncompacted bulk density test as detailed in Test Method AS 1141.4 on either a sample of retained aggregate collected from the mat(s) or on a representative sample of aggregate collected prior to spreading.

5 Calculations

Calculations shall be as follows:

5.1 Calculate the area of each mat as follows:

$$A_i = \frac{l_i b_i}{10^6}$$

where A_i = area of mat (m²)
 l_i = length of mat (mm)
 b_i = breadth of mat (mm)

5.2 Calculate the spread rate for each mat as follows:

$$R_{1i} = \frac{m_{2i} - m_{1i}}{1000A_i}$$

where R_{1i} = spread rate for mat (kg/m²)
 m_{2i} = mass of mat and aggregate (g)
 m_{1i} = mass of mat (g)
 A_i = area of mat (m²)

5.3 If required, calculate the mean spread rate when more than one mat is used as follows:

$$R_1 = \frac{\sum R_{1i}}{n}$$

where R_1 = mean spread rate (kg/m²)
 R_{1i} = spread rate for mat (kg/m²)
 n = number of mats used

5.4 If required, calculate the spread rate on an area spread per volume basis for each mat as follows:

$$R_{2i} = \frac{1000\rho}{R_{1i}}$$

where R_{2i} = spread rate for mat (m²/m³)
 ρ = uncompacted bulk density of aggregate (t/m³) obtained from Test Method AS 1141.4
 R_{1i} = spread rate for mat (kg/m²)

5.5 If required, calculate the mean spread rate when more than one mat is used as follows:

$$R_2 = \frac{\sum R_{2i}}{n}$$

where R_2 = mean spread rate (m²/m³)

R_{2i} = spread rate for mat (m^2/m^3)
n = number of mats used

6 Reporting

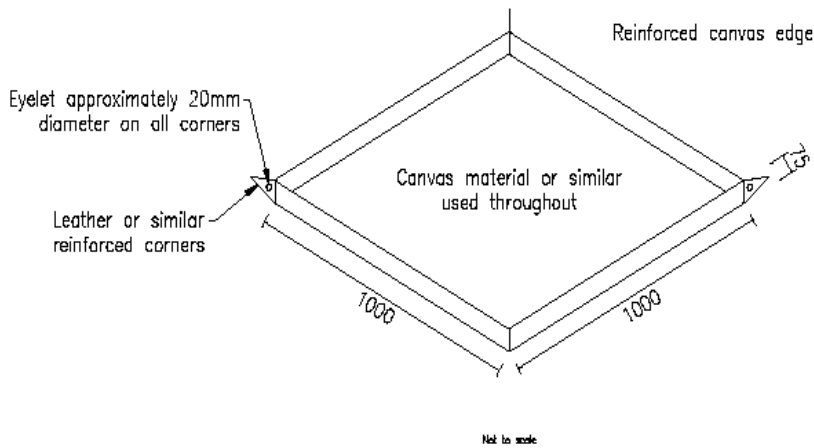
The following shall be reported:

- 6.1 Individual spread rate(s) to the nearest 0.1 kg/m^2 .
- 6.2 Mean spread rate to the nearest 0.1 kg/m^2 .
- 6.3 Individual spread rate(s) to the nearest 1 m^2/m^3 , if required.
- 6.4 Mean spread rate to the nearest 1 m^2/m^3 , if required.

7 Notes on method

- 7.1 Where several mats are used, they can be placed diagonally across the path of the spreader, avoiding overlap of the mats, while allowing the full width to be sampled.

Figure 1 – Example of canvas mat



Test Method Q712: Surface evenness of road surface – three metre straightedge

1 Source

This method was developed in-house with reference to Roads and Maritime Services Test Method T183: *Surface deviation using a straightedge*.

2 Scope

This method describes the procedure for obtaining a measure of the evenness of a pavement surface as determined by the deviation from a three metre straightedge. It is applicable only to the measurement of depressions in the pavement surface and to those straightedges that can be positioned in direct contact with the pavement surface.

3 Apparatus

The following apparatus is required:

- 3.1 Straightedge, a 3 m rigid length of metal of either rectangular or I-section shape. The flat working face of the straightedge having deviations along its entire length less than ± 0.5 mm from true, and less than ± 1.0 mm from true when resting on supports at both ends. The straightedge will be constructed so that it can rest unsupported on the pavement with its working face in contact with the pavement.
- 3.2 Depth gauge, a suitable device for measuring the gap between the straightedge and the pavement to the nearest 1 mm. One such device is a metal wedge that is slid beneath the straightedge and calibrated in so the gap width can be read directly from the wedge as determined by the distance penetrated by the wedge at its first contact with the straightedge.
- 3.3 Tape measure, steel rule and wheel meter as required.

4 Procedure

The procedure shall be as follows:

- 4.1 Select the test location and remove any loose material from the surface of the pavement.
- 4.2 Place the straightedge at the required orientation (normally longitudinal or transverse to the centre-line) so that the working face of the straightedge is in contact with the pavement surface (Note 6.1).
- 4.3 Reposition the straightedge, if necessary, to ensure that:
 - a) the straightedge sits firmly on the pavement surface without rocking (Note 6.2)
 - b) the straightedge is at right angles to any linear feature that is under the straightedge (for example, joint, edge, tie-in), and
 - c) for other than joint testing, the length of the straightedge that is cantilevered is minimised (Note 6.3).
- 4.4 Where the test location is on a crown or superelevation of the road or there is any feature that may affect the measurement, record these details.
- 4.5 Visually estimate the point at which the greatest deviation appears to occur between the straightedge and the pavement surface (Note 6.4).

- 4.6 Using the depth gauge, determine the deviation at this point and record the value to the nearest 1 mm.
- 4.7 Repeat Steps 4.5 to 4.6 for other points along the straightedge, as necessary until the maximum deviation is recorded.

5 Reporting

The following shall be reported:

- 5.1 Surface type and layer.
- 5.2 Test location (for example, chainage, direction, lane, offset/wheel path and so on).
- 5.3 Orientation of straightedge relative to centreline.
- 5.4 Maximum deviation to the nearest 1 mm.
- 5.5 Where the cantilever is greater than 750 mm, the length of the cantilever to the nearest 5 mm.
- 5.6 Test location features (for example, convex shape, linear feature, crown, superelevation and so on).
- 5.7 The number of this test method, that is Q712.

6 Notes on method

- 6.1 Where a joint is to be tested, position one end of the straightedge directly over the joint with the remainder of the straightedge supported on the surface to be tested.
- 6.2 Where a convex surface prevents the positioning of the straightedge firmly on the pavement without rocking, terminate the test. Record “Convex shape” for the test location.
- 6.3 Where the cantilever is greater than 750 mm, measure the length of cantilever to the nearest 5 mm.
- 6.4 Maximum deviation may be under the supported or cantilevered portion of the straightedge.

Test Method Q713: Skid resistance – mobile, variable slip technique

1 Source

This test shall be performed in accordance with ASTM E1859–06, Standard test method for Friction Coefficient Measurements Between Tire and Pavement Using a Variable Slip Technique, but with the following changes, as detailed below. These changes are due to:

- a) amendment specific to the ViaFriction Skid Tester
- b) local terminology and operational procedures.

The changes to the ASTM Standard Test Method were developed in-house based on information obtained from the following technical references:

- ViaFriction (2008) – *User Manual for ViaFriction Meter*. ViaTech AS, Norway 2008.
- PIARC (1995) – *International PIARC Experiment to Compare and Harmonize Texture and Skid Resistance Measurements*. PIARC Technical Committee on Surface Characteristics C.1, 1995.
- HERMES (2006) – *Harmonization of European Routine and Research Measurement Equipment for Skid Resistance*. FEHRL Report 2006/01.
- ViaTech (2009) – *ViaFriction Calibration. Document No. DOC500074* (refer section 2.2.1), Dagali Airport, Norway, 16th June 2009.
- Transport and Main Roads (2010) – *Temperature Influence on Skid Resistance Measurement (Asphalt Surfaces). Pavement Performance and Investigation Report No. PR7000397/0090/0140* prepared for Director (Road Asset Management), March 2010.

2 Scope

This method covers the direct measurement of the braking force coefficient of friction at a slip speed of 60 km/h (F60) and the speed dependency (Sp) of that measure (that is, the two components of International Friction Index (IFI)) using the ViaTech – ViaFriction skid tester operating in variable slip mode. Also measured during the test is Peak Friction, the slip speed at which it occurred (Vcrit.) and the coefficient of friction at a slip speed of 30 km/h (F30 – commonly referred to as European Friction Index (EFI)).

3 Definitions

The terminology use is as detailed in ASTM E1859-06, except as shown below:

- 3.2.1 peak friction number, n is referred to as Peak Friction
- 3.2.1.1 SNF peak(S) – S is the slip speed at which peak friction occurs and is referred to as Vcrit.
- 3.2.1.1 SNF peak = Peak Friction x 100
- 3.2.2.1 SNF Characteristic is the slip friction at a specified slip speed. At the 60 km/h adopted slip speed, this friction value is denoted as F60 where $SNF(60)/100 = F60$.
- 3.2.3 “slip – to skid Friction number” is the friction value at wheel lockup and is only a meaningful measure when testing at constant speed. This value is not reported.

- 3.2.5 slope indicator is equivalent to Speed Number and is designated as Sp. F60 and Sp are the two components of International Friction Index (IFI).
- 3.2.6 tire longitudinal stiffness indicator is not recorded or reported.

4 Apparatus

The apparatus required is as detailed in ASTM E1859-06, except as shown below:

- 5.4.1.1 The ViaFriction skid tester operates under a 71 kg (156.1 lbs) load not the ASTM specified 1.423 kN (320 lbf) load.
- 5.4.1.2 Initial calibration is supplied by the manufacturer against a reference device used in the PIARC International Trial. Annual stability of calibration is undertaken using a relative calibration approach over a number of established test sites.
- 5.4.5 The distance encoders on the ViaFriction skid tester have a resolution of 100 and 25 mm on the test wheel and test vehicle respectively. With a brake cycle of 0.5 seconds, at a test speed of 60 to 80 km/h, the 100 mm distance resolution on the test wheel provides approximately 100 data points in the braking cycle that provides a slip speed resolution of < 1 km/h.

5 Test procedure

The procedure shall be as follows:

- 5.1 Testing is not speed dependent and conducted under traffic conditions, at test speeds between 40 and 90 km/h. When testing on construction sites or runways (that is, not under traffic), a test speed of 60 to 80 km/h is preferred.
- 5.2 Select a water film depth of 0.5 mm for road testing and a 1.0 mm water film depth for runway testing.
- 5.3 Unless specified, carry out testing in the left hand wheel path of the test lane.
- 5.4 Although the testing operation is continuous, at the adopted brake profile (ramp setting) of 500 ms, the braking system takes 0.5 seconds to do a test and 4 to 5 seconds to dissipate its energy and reset for the next test. At a test speed of 80 km/h the combined braking and reset cycles take around 5 seconds and cover a travelled distance of 100 to 120 m. Therefore, the minimum test intervals are 100 and 150 m for speed zones ≤ 60 km/h and > 60 km/h respectively.
- 5.5 Record the water temperature and ambient temperature during testing in addition to the ViaFriction test unit's automatic acquisition of surface temperature.

6 Calculations

Calculate as follows:

- 6.1 The ViaFriction system reports for each test interval, the test speed, peak friction, V_{crit} , F30, F60, Friction Slip Slope, surface temperature and GPS coordinates. The Friction Slip Slope can be converted to Sp using the following relationship:

$$S_p = \frac{-1}{FSS}$$

where S_p = slope indicator

FSS = Friction Slip Slope

6.2 The recorded F60 skid resistance value shall be temperature corrected as follows:

6.2.1 The Transport and Main Roads adopted reference surface temperature for skid resistance measurement correction is 30°C. It is proposed that this be raised to 35°C for areas west of the Charleville, Alpha, Hughenden, Georgetown and Weipa line to reflect the higher operating surface temperature conditions in that area (TMR (2010)).

6.2.2 For correction of F60 skid resistance results to a 30°C reference temperature, the following relationship shall be used:

$$F60_{30} = F60_{(t)} + 0.0015(t) - 0.045$$

where $F60_{30}$ = corrected F60 value for a 30°C reference temperature

$F60_{(t)}$ = recorded F60 value at t°C

(t) = surface temperature at time of test (°C)

6.2.3 For correction to 35°C reference temperature, the following relationship shall be used:

$$F60_{35} = F60_{(t)} + 0.0015(t) - 0.0525$$

where $F60_{35}$ = corrected F60 value for a 35°C reference temperature

$F60_{(t)}$ = recorded F60 value at (t)°C

(t) = surface temperature at time of test (°C)

7 Reporting

For each test interval the following shall be reported:

7.1 Location of the test (road, chainage, lane, wheel path, GPS coordinates).

7.2 Date and time of test.

7.3 International Friction Index comprising the two components, that is, the temperature corrected F60 friction coefficient to the nearest 0.01 and the speed dependency (S_p) factor to the nearest 1 km/h (Note 8.1).

7.4 Other measured friction coefficients and parameters (optional).

7.5 Ambient and water temperatures (optional) (Note 8.2).

8 Notes on method

8.1 The speed dependency (S_p) factor is the slope of the friction/slip speed curve at 60 km/h. As the coefficient of friction is dimensionless, S_p is expressed in km/h.

8.2 These are only recorded for future use with possibly more refined temperature correction procedures.

Test Method Q714: Skid resistance - mobile, continuous reading, fixed slip technique

Perform this test in accordance with ASTM E2340/E2340M *Standard Test Method for Measuring the Skid Resistance of Pavements and Other Trafficked Surfaces Using a Continuous Reading, Fixed-Slip Technique* and ASTM E1960 *Standard Practice for Calculating International Friction Index of a Pavement Surface*, but with the following changes, as detailed below. These changes are due to:

- a) amendment specific to the ViaFriction Skid Tester.
- b) local terminology and operational procedures.

1 Scope

This method covers the measurement of the braking force coefficient of friction at a slip speed of 60 km/h (that is, F60, the friction component of International Friction Index (IFI)) using the ViaTech – ViaFriction skid tester operating in continuous fixed slip mode.

The changes were developed in house based on information obtained from the following technical references:

- ViaFriction (2008) – *User Manual for ViaFriction Meter*. ViaTech AS, Norway 2008.
- PIARC (1995) – *International PIARC Experiment to Compare and Harmonize Texture and Skid Resistance Measurements*. PIARC Technical Committee on Surface Characteristics C.1, 1995.
- J.J. Henry & M. Marasteanu (1992) – *Models to Harmonize Methods for Measuring Road Friction*. Second International Symposium on Road Surface Characteristics, Berlin, Germany, June 1992.
- Q705 (2010) – *Texture Depth (Sand Patch)*. Test Method Q705 (Austroads Test Method AG:PT/T250), Materials Testing Manual, 2010.
- ViaTech (2009) – *ViaFriction Calibration. Document No. DOC500074* (refer Section 2.2.1), Dagali Airport, Norway, 16th June 2009.
- Norsesmeter (1996) – *A Primer on Modern Runway Surface Friction Measurement*. Norsesmeter Friction AS, 1996.
- Transport and Main Roads (2010) – *Temperature Influence on Skid Resistance Measurement (Asphalt Surfaces)*. *Pavement Performance and Investigation Report No. PR7000397/0090/0140* prepared for Director (Road Asset Management), March 2010.

For test speeds greater than 60 km/h, the slip ratio is selected to enable direct measurement of the braking force coefficient of friction at a slip speed of 60 km/h (F60). For slower test speeds, the maximum effective slip ratio of 90% is selected and the measured coefficient of friction is corrected to F60 using the Penn State relationship (J.J. Henry & M. Marasteanu (1992)), as adopted by PIARC (1995) and described in ASTM (E1960 – 07).

The Penn State relationship uses the speed dependency factor (Sp), the second component of International Friction Index. Sp can be measured directly with a supplementary test using the Via Friction in variable slip mode (Q713) or calculated from surface texture measurements (Q705 (2010)) and the PIARC (1995) relationship for device A8 (Sand Patch Test using glass beads).

2 Test procedure

- 2.1 Carry out testing at the test speeds and their associated slip ratio in Table 1. Note: 100% slip is a locked wheel.
- 2.2 Select a water film depth of 0.5 mm for road testing and a 1.0 mm water film depth for runway testing.
- 2.3 Unless specified, carry out testing in the left hand wheel path of the test lane.
- 2.4 Although testing is continuous, process data in 10 m (maximum) test lots. Report either, individually, or averaged into reporting lots of 100 m minimum length.
- 2.5 Record surface temperature, water temperature and ambient temperature.

3 Data processing

3.1 Transformation sequence

- 3.1.1 Convert the measured friction to a slip speed of 60 km/h – Speed Correction.
- 3.1.2 Convert the speed corrected friction measure to F60 – the friction component of IFI.
- 3.1.3 Temperature correction of F60.

3.2 Speed correction

- 3.2.1 The first step is to convert the measured friction level to what would have been measured at a slip speed of 60 km/h using the Penn State relationship:

$$FR_{60} = FRS \cdot e^{\frac{(S-60)}{S_p}}$$

- where
- FR₆₀ = adjusted value of friction to a slip speed of 60 km/h
 - FRS = friction measured at slip speed S
 - S = slip speed at which the friction value was measured (km/h)
 - S_p = speed dependency factor

- 3.2.2 The speed dependency factor (S_p) is determined either by direct measurement in variable slip mode (Q713 (2011)) or from Sand Patch texture depth (MTD) as detailed in PIARC (1995) as follows:

$$S_p = -11.6 + (113.6 \text{ MTD})$$

- where
- S_p = speed dependency factor
 - MTD = sand patch texture depth (mm)

3.3 Harmonisation

- 3.3.1 The next step is to convert the adjusted friction measure (FR₆₀) to the harmonised International Friction Index (IFI) friction measure F60 as detailed in PIARC (1995) as follows:

$$F60 = A + (B \cdot FR_{60})$$

- where
- F60 = Harmonised International Friction Index (IFI)
 - A = constant for reference test device used in PIARC harmonisation trial
 - B = constant for reference test device used in PIARC harmonisation trial

FR60 = adjusted value of friction to a slip speed of 60 km/h

- 3.3.2 The ViaFriction test unit is internally calibrated, against OSCAR, a reference device used in the PIARC harmonisation trial. This relationship as detailed in ViaTech (2009) is:

$$\text{OSCAR} = -0.0366 + (0.9934 \cdot \text{ViaFriction})$$

- 3.3.3 The relationship for OSCAR as detailed in Norsemeter (1996) is:

$$F60 = -0.000074 + (1.000022 \cdot \text{FR60})$$

- 3.3.4 In practical terms, as the A & B constants nearly equal zero and 1, the OSCAR and units calibrated against it, measure F60 directly when testing at a 60 km/h slip speed. Therefore, this step is not required for ViaFriction test results.

3.4 Temperature correction

- 3.4.1 The TMR adopted reference temperature for skid resistance measurement correction is 30°C. It is proposed that this be raised to 35°C for areas west of the Charleville, Alpha, Hughenden, Georgetown and Weipa line to reflect the higher operating surface temperature conditions in that area (TMR (2010)).

- 3.4.2 For correction of F60 skid resistance results to a 30°C reference temperature, the following relationship shall be used:

$$F60_{30} = F60_{(t)} + 0.0015(t) - 0.045$$

where $F60_{30}$ = corrected F60 value for a 30°C reference temperature

$F60_{(t)}$ = recorded F60 value at t°C

(t) = surface temperature at time of test (°C)

- 3.4.3 For correction to 35 °C reference temperature, the following relationship shall be used:

$$F60_{35} = F60_{(t)} + 0.0015(t) - 0.0525$$

where $F60_{35}$ = corrected F60 value for a 35°C reference temperature

$F60_{(t)}$ = recorded F60 value at t°C

(t) = surface temperature at time of test (°C)

3.5 Application of speed and temperature correction

Speed correction shall be applied first at the processing 10 m test lot stage when the calculated slip speed varies by more than ± 3% of the targeted slip speed. Temperature correction shall be applied last at the reporting test lot stage using the average surface temperature recorded for the test lot.

4 Calibration

The ViaFriction has been dynamically calibrated by the manufacturer (ViaTech) against OSCAR, a reference device used in the PIARC (1995) trial. The data produced by ViaFriction, when testing at a slip speed of 60 km/h, is a direct measure of F60, the friction component of International Friction Index. In Australia, we do not undertake static calibration tests but rely in the equipments in-build diagnostics and regular dynamic reference calibration checks over our

Nudgee Beach Road test site and the Department's Mt. Cotton test track in Brisbane. For major projects, dynamic reference calibration checks are carried out before and after each skid resistance survey.

Table 1 – Nominal test speeds and slip ratios

Posted speed (km/h)	Test speed (km/h)	Slip ratio (%)	Friction measure
110	90	67	FR60
100	80	75	FR60
90	80	75	FR60
80	80	75	FR60
70	70	86	FR60
60	60	90*	FR54**
50	50	90*	FR45**
40	40***	90*	FR36**

* Maximum effective slip ratio

** Needs to be corrected to FR60 using a measured or calculated Sp

*** Minimum test speed.

Test Method Q719: Field spread rate of solid stabilisation agents - fabric mat

1 Source

This method was developed in-house using techniques evolved through internal departmental investigations.

2 Scope

This method describes the procedure for the determination of the spread rate of solid stabilising agents delivered from a mechanical spreading device to determine spreader performance in terms of spread rate and uniformity of distribution.

3 Apparatus

The following apparatus is required:

- 3.1 Balance of suitable capacity, having a resolution of at least 100 g and with a limit of performance within the range of ± 500 g. A spring balance with a capacity of 30 kg and an attached hook has been found to be suitable.
- 3.2 Square mats, made from heavy duty fabric such as canvas or polyester with a reinforced lip around the perimeter and lifting points at each corner. The mat should be as close as practicable to one square metre (that is 1 m x 1 m).
- 3.3 Tape measure, with a resolution of 1 mm.
- 3.4 Small masses or pegs to hold the mats in place during testing.
- 3.5 Brush and scoop.

4 Procedure

The procedure shall be as follows:

- 4.1 Determine the length and breadth of each mat used (l_i , b_i).
- 4.2 Determine the mass of each mat used (m_{1i}).
- 4.3 Arrange one or more of the mats on a level surface so that the spread rate across the spreading width of the spreader can be determined (Note 7.1). Secure the mat(s) to the surface using masses or pegs.
- 4.4 After the spreader has passed over the mat(s), carefully brush the stabilising agent from the periphery of each mat towards the centre of the mat. A scoop may be required to move the stabilising agent from the periphery of the mat.
- 4.5 Determine the mass of each mat and stabilising agent used (m_{2i}).
- 4.6 Return the stabilising agent to the surface and spread over the area previously covered by the mat(s).

5 Calculations

Calculations shall be as follows:

5.1 Calculate the area of each mat as follows:

$$A_i = \frac{l_i b_i}{10^6}$$

where A_i = area of mat (m²)
 l_i = length of mat (mm)
 b_i = breadth of mat (mm)

5.2 Calculate the spread rate for each mat as follows:

$$R_i = \frac{m_{2i} - m_{1i}}{1000A_i}$$

where R_i = spread rate for mat (kg/m²)
 m_{2i} = mass of mat and stabilising agent (g)
 m_{1i} = mass of mat (g)
 A_i = area of mat (m²)

5.3 Calculate the mean spread rate when more than one mat is used as follows:

$$R = \frac{\sum R_i}{n}$$

where R = mean spread rate (kg/m²)
 R_i = spread rate for mat (kg/m²)
 n = number of mats used

6 Reporting

The following shall be reported:

- 6.1 Individual spread rate(s) to the nearest 0.1 kg/m².
- 6.2 Mean spread rate to the nearest 0.1 kg/m².

7 Notes on method

- 7.1 Where several mats are used, they can be placed diagonally across the path of the spreader, avoiding overlap of the mats, while allowing the full width to be sampled.

Test Method Q720: Loose aggregate on sprayed seals

1 Source

This method is based on the RMS Test Method T277: *Measurement of loose aggregate on sprayed seals*.

2 Scope

This method describes the procedure for determining the quantity of loose aggregate particles on the surface of a sprayed seal constructed with aggregates of 10 mm nominal size or larger.

3 Apparatus

The following apparatus is required:

- 3.1 Square template, of rigid construction and with internal dimensions as close as practicable to 1 m by 1 m. The template should be designed to allow ready removal of aggregate from the template area.
- 3.2 Brush, a stiff-bristled brush suitable for removing loose aggregate particles.
- 3.3 Container, suitable for collecting aggregate particles removed from the template area.
- 3.4 Tape measure, with a resolution of 1 mm.
- 3.5 Sieve, 6.70 mm complying with ISO 3310.

4 Procedure

The procedure shall be as follows:

- 4.1 Determine the length and breadth of the template (l, b).
- 4.2 Place the template on the sprayed seal surface.
- 4.3 Using the brush, remove any loose aggregate particles from within the template area and collect them in the container, taking care not to dislodge any aggregate particles which are embedded in the seal binder.
- 4.4 Screen the collected loose aggregate particles over a 6.70 mm sieve.
- 4.5 Count the number of aggregate particles retained on the 6.70 mm sieve (n).

5 Calculations

Calculations shall be as follows:

- 5.1 Calculate the area of the template as follows:

$$A = \frac{lb}{10^6}$$

- where
- | | | |
|---|---|------------------------------------|
| A | = | area of template (m ²) |
| l | = | length of template (mm) |
| b | = | breadth of template (mm) |

5.2 Calculate loose aggregate as follows:

$$L = \frac{n}{A}$$

where L = loose aggregate (particles/m²)
A = area of mat (m²)
n = number of loose aggregate particles

6 Reporting

The following shall be reported:

- 6.1 Loose aggregate to the nearest 1 particles/m².
- 6.2 The stage or time at which the testing was performed, for example, "after rolling and before sweeping".

Test Method Q721: Torsional shear strength of pavement layers

1 Source

This method was developed in-house using information obtained from internal departmental investigation.

2 Scope

This method describes the procedure for determining the strength of the bond between different layers within a road pavement using torsional shear. It is applicable to asphalt layers, concrete layers and sprayed seal surfacing. Testing may be performed in the field using insitu coring, or in the laboratory using extracted core samples.

3 Apparatus

- 3.1 Bond plate, steel cylindrical plate of 100 mm diameter having a roughened surface on one end, and a socket attached to the other end to accommodate a torque wrench.
- 3.2 Clamping apparatus, steel jig or bench vice (laboratory testing only).
- 3.3 Torque wrench, with a resolution of 1 Nm, allowing torque measurements up to 270 Nm and complying with either AS 4115 or ISO 6789.
- 3.4 Adhesive, suitable for fixing the bond plate to the asphalt, concrete or sprayed seal as appropriate (Note 7.1).
- 3.5 Temperature measuring device, graduated to 1°C or less with an uncertainty of no more than 0.5°C, and having a temperature range which includes the temperature of the field or laboratory test specimen.
- 3.6 Measuring device, suitable for measuring the thickness of a test specimen and having a resolution not exceeding 1 mm.
- 3.7 Stiff wire brush.

4 Sample preparation

- 4.1 For field testing, core the layer to be tested to a depth exceeding its thickness using the dry coring method specified in Section 7.3 of AS 2891.1.2 but do not extract the core sample (Note 7.2).
- 4.2 For laboratory testing, core the layer to be tested to a depth exceeding its thickness using the dry coring method specified in Section 7.3 of AS 2891.1.2. The depth of the core shall be sufficient to allow the underlying layer to be attached to the clamping apparatus (Note 7.2).

5 Procedure

- 5.1 Clean the top of the cored layer or core sample using the wire brush to remove any dust or other foreign matter.
- 5.2 Apply the adhesive to the roughened end of the bond plate to provide a film thickness of about 3 mm.
- 5.3 Position the prepared bond plate on top of the cored layer or core sample and press firmly to ensure thorough contact. Remove any excess adhesive squeezed outside the contact area.
- 5.4 Allow the adhesive to cure for a minimum of 12 hours.

- 5.5 For laboratory testing, fix the underlying layer of the core sample firmly in the clamping apparatus.
- 5.6 Attach the torque wrench to the bond plate and apply a starting torque appropriate for the particular bond type.
- 5.7 Increase the torque in 5 Nm increments until the test specimen shears or cracks.
- 5.8 Record the torque at which shearing or cracking occurs.
- 5.9 Measure the temperature of the test specimen.
- 5.10 Measure the thickness of the test specimen.
- 5.11 Record a description of the bond failure (Note 7.3).

6 Reporting

Report the following:

- 6.1 Torque at which shearing occurs to the nearest 1 Nm.
- 6.2 Temperature of the test specimen to the nearest 1°C.
- 6.3 Thickness of the test specimen to the nearest 1 mm.
- 6.4 Description of the bond failure.
- 6.5 The number of this test method, that is Q721.

7 Notes on method

- 7.1 Hilti general purpose adhesive two part paste No 125 has been found suitable.
- 7.2 Core diameter can be 100 mm or 150 mm with the smaller diameter being sufficient where there is a strong bond (e.g. the bond between dense graded asphalt and a sprayed seal surfacing).
- 7.3 Bond failure shall be described as:
 - a) Sample sheared cleanly at layer interface, or
 - b) Sample sheared through upper and/or lower layer.

Test Method Q723: Proof rolling test

1 Source

This method is based on Roads and Maritime Services Test Method T198: *Proof rolling test*. It differs from the method as follows:

- a) remove pneumatic tyred static roller from apparatus list
- b) allow use of a water tanker with either 7,000 litres or 10,000 litres of water
- c) remove contractual terminology
- d) remove requirement to submit a proof rolling plan and report the rolling pattern, and
- e) remove requirement water and re-roll layer if testing is delayed by more than 12 hours.

2 Scope

This test method sets out a procedure for assessing the stiffness and uniformity of compaction of a road formation during construction, by observing surface deformation under a moving heavy roller.

The timing of the proof rolling test will be specified in the relevant technical specification.

3 Definition

Proof rolling is a subjectively assessed deformation test performed by an operator experienced in proof rolling (Note 8.1). The operator must assess whether the transient surface deformation under the equipment is perceptible or not. Perceptible deformation may be visible permanent deformation or elastic (springing or resilient) deformation.

4 Apparatus

The following apparatus is required:

4.1 Proof roller (Note 8.2), can be either:

- a) water tanker with tandem rear axle, internal baffles to minimise sloshing and a minimum 600 kPa tyre pressure. The water tank must contain at least 10,000 litres of water during use
- b) water tanker with single rear axle, internal baffles to minimise sloshing and a minimum 600 kPa tyre pressure. The water tank must contain at least 7,000 litres of water during use, or
- c) other equipment with at least the same rear axle loading as the water tanker, may be used (Note 8.1).

4.2 Tyre pressure gauge.

5 Materials

The following materials are required:

5.1 Potable or recycled water for filling water tank.

6 Procedure

The procedure shall be as follows:

6.1 Preparation

- 6.1.1 The layer to be tested must be compacted in accordance with the relevant construction specification. The surface must be level, homogeneous in appearance, with no large protruding objects or significant surface depressions, and free of loose material.

6.2 Rolling procedure

- 6.2.1 Test the layer by operating the equipment at a speed in the range 3-10 km/h, as determined by the operator. The rolling pattern must cover the full area of the lot, with successive passes of the equipment offset laterally by 40 to 50%.
- 6.2.2 When standing beside the equipment, the operator, must assess the surface deformation under the roller as perceptible or not perceptible at specific locations, and as uniform or non-uniform over the area of the lot.

7 Reporting

The following shall be reported:

- 7.1 Details of equipment used to include the type, model, gross mass, tyre pressures and registration / identification number.
- 7.2 The time of proof rolling after final compaction, and whether the surface was wetted prior to proof rolling.
- 7.3 Report the surface deformation as:
- a) perceptible or non-perceptible for specific locations
 - b) uniform or non-uniform over the lot.
- 7.4 The number of this test method, that is Q723.

8 Notes on method

- 8.1 Transport and Main Roads Technical Specifications will nominate who shall witness this testing, usually the Contract Administrator or their nominated representative. The Contract Administrator may also approve the use alternative apparatus in the contract.
- 8.2 The static smooth steel drum roller is not permitted as it may not identify localised soft areas as the rigid drum could bridge these areas.

Test Method Q726A: Deflections – Light Weight Deflectometer (LWD)

1 Source

This method is based on ASTM E2583: *Standard Test Method of Measuring Deflections with a Light Weight Deflectometer (LWD)*.

2 Scope

This method sets out the procedure to determine surface deflections resulting from the application of an impact load. The resulting deflections are measured at the centre of the applied load and may also be measured at various distances away from the load.

The LWD is a lightweight, portable field-testing device generally used for testing unbound materials. The deflections measured using a LWD may be used to determine the stiffness of bound, lightly bound and unbound materials, using suitable analysis techniques.

Deflections may either be correlated directly to pavement or earthworks performance or used to determine insitu material characteristics.

These data may be used for quality control or quality assurance of compacted layers, structural evaluation of load capacity and determination of layer thickness requirements for pavements.

3 Apparatus

The following apparatus is required:

3.1 Lightweight deflectometer as follows:

- a) Force generating device (falling weight), capable of being raised to a pre-determined height, dropped and able to fall freely. The resulting force pulse transmitted to the surface shall provide a half-sine or haversine-shaped load pulse with a time of loading between 20–40 ms and produce a peak load with a resolution of 0.1 kN.
- b) Load plate, capable of uniformly distributing the impulse load across the material surface. The instrument must be able to allow pavement deflection measurement at the centre of the point of impact.
- c) Deflection sensor, capable of measuring the maximum vertical movement and mounted to maximise angular rotation with respect to its measuring plane at the maximum expected deflection and a resolution of 0.001 mm. The number and spacing of the sensors is optional and will depend of the purpose of the test and the layer characteristics. Sensors may be of several types, such as displacement transducers, velocity transducers and accelerometers.
- d) Data processing and storage system, able to store and display load and deflection data. The peak load and deflection measurements are to be recorded within a time of 60 ms or longer. Supporting information such as air temperature, surface temperature, location identification and test identification data for each test point.
- e) Load cell, capable of measuring the applied load at impact. Placed in a position to minimise the mass between the load cell and the surface. The load cell is positioned in such a way that it does not restrict the ability to obtain deflection measurements under the centre of the load plate.

3.2 Suitable tools for levelling and smoothing the material surface.

3.3 Fines, dry fine sand or dry native fines passing a 0.600 mm test sieve.

4 Calibration and checking

4.1 Force generating device

Prior to load and displacement sensor calibration, precondition the device by dropping the weight at least five times and checking the relative difference in each peak load level. Peak load levels measured by the load cell shall not vary by more than $\pm 3\%$. If the variation exceeds this tolerance, the height of the drop, cleanliness of the guide, along with any springs or rubber pads used to condition the load, should be checked and replaced as required.

4.2 Load calibration platform

Undertake calibration and checking of the load cell in accordance with the procedures and requirements stated in the manufacturer's user manual.

4.3 Deflection sensors

Undertake calibration and checking of the deflection sensor(s) in accordance with the procedures and requirements stated in the manufacturer's user manual every 12 months

5 Procedure

The procedure shall be as follows:

- 5.1 Remove any loose material and vegetation from around the test site to create a flat and level surface to undertake the test.
- 5.2 Sweep all loose material from the test site and sprinkle fine sand or native fines on the surface, then smooth the surface.
- 5.3 Place the LWD over the desired test location.
- 5.4 Place the loading plate and sensors to ensure they are resting on a firm and stable surface.
- 5.5 Raise the falling weight to the desired height and allow to fall freely.
- 5.6 Record the resulting peak surface deflection(s) and the peak load (Note 7.1).
- 5.7 Repeat Steps 5.3 to 5.4 and compare results. If the difference is greater than $\pm 3\%$ for any sensor, note the variation in the report.
- 5.8 Perform additional tests as detailed in Steps 5.3 to 5.5 at the same or different load levels as required.
- 5.9 If required, obtain a sample of the soil and determine the moisture content as detailed in Test Method AS 1289.2.1.1 or record the moisture condition of the soil.

6 Reporting

The following shall be reported:

- 6.1 The location at which the test was performed, and the reduced level of the layer tested.
- 6.2 The date tested.
- 6.3 A description of the material tested.
- 6.4 Peak surface deflection(s) to the nearest 0.001 mm.
- 6.5 Peak load to the nearest 0.1 kN.
- 6.6 Distance of any additional deflection sensors from the load point.

6.7 Moisture content of the soil or the moisture condition of the soil, that is, wet, moist or dry, if required.

6.8 The number of this test method, that is Q726A.

7 Notes on method

7.1 It may be necessary to use the first one to two drops to seat the LWD and the subsequent drops for analysis.

Test Method Q726B: Deflections – Portable Impulse Plate Load Test Device

1 Source

This method is based on ASTM E2835: *Standard Test Method for Measuring Deflections using a Portable Impulse Plate Load Test Device*.

2 Scope

This method sets out the procedure to determine plate deflections resulting from the application of an impulse load. The resulting deflections are measured at the centre of the top of the load plate.

Deflections may either be correlated directly to pavement or earthworks performance or used to determine insitu material characteristics.

These data may be used for quality control or quality assurance of compacted layers, structural evaluation of load capacity and determination of layer thickness requirements for pavements.

3 Apparatus

The following apparatus is required:

3.1 Portable impulse plate load test device as follows:

- a) Force generating device (falling mass), capable of being raised to a pre-determined fixed height and dropped onto a steel spring assembly. The resulting force pulse transmitted to the surface shall provide a half-sine or haversine-shaped load pulse with a time of loading between 10–30 ms and produce a peak load with a resolution of 0.1 kN.
- b) Load plate, rigid and capable transferring the impulse load to the surface.
- c) Deflection sensor, capable of measuring the maximum vertical plate movement and mounted to maximise angular rotation with respect to its measuring plane at the maximum expected deflection and a resolution of 0.02 mm. The number and spacing of the sensors is optional and will depend of the purpose of the test and the layer characteristics. Sensors may be of several types such as displacement transducers, velocity transducers and accelerometers. The instrument shall be constructed to measure the vertical plate deflection at the centre of the point of impact.
- d) Data processing and storage system, able to store and display load and deflection data. The peak load and deflection measurements are to be recorded within a time of 50 ms or longer.

3.2 Suitable tools for levelling and smoothing the material surface.

3.3 Fines, dry fine sand or dry native fines passing a 0.600 mm test sieve.

4 Calibration and checking

4.1 Force generating device

Prior to deflection sensor calibration, undertake calibration of the force generating device in accordance with the procedures and requirements stated in the manufacturer's user manual and Sub-section 7.5 of ASTM D2835, every 12 months.

4.2 Deflection sensors

Undertake calibration and checking of the deflection sensor(s) in accordance with the procedures and requirements stated in the manufacturer's user manual and Sub-section 7.6 of ASTM D2835 every 12 months.

4.3 Checking

Undertake verification of deflection measurements in accordance with the procedures and requirements stated in the manufacturer's user manual and Section 8 of ASTM D2835, after calibration (Note 7.1).

5 Procedure

The procedure shall be as follows:

- 5.1 Remove any loose material and vegetation from around the test site to create a flat and level surface to undertake the test. The site should be 1.5 times larger than the diameter of the loading plate. The site must not have a slope greater than four percent.
- 5.2 Sweep all loose material from the test site and sprinkle fine sand or native fines on the surface, then smooth the surface.
- 5.3 Place the load plate on the prepared test location.
- 5.4 Rotate the load plate left and right to an angle of 45 degrees.
- 5.5 Perform six falling mass drops, with the first three used for seating and the second three used for analysis. The procedure for each drop shall be as follows:
 - 5.5.1 Raise the falling weight to the pre-set drop height and secure into release mechanism.
 - 5.5.2 Adjust guide rod to vertical.
 - 5.5.3 Release falling mass and allow to fall freely.
 - 5.5.4 Catch the falling mass after rebound.
 - 5.5.5 Record the resulting peak surface deflection value.
- 5.6 If the load plate tilts by more than four percent, the seating deflections differ from one another by more than 10 percent, a faulty drop occurs, the load plate is displaced, or the guide rod moves, then the test is not valid. Position the test device at a new location and repeat Steps 5.1 to 5.5.5. Testing cannot be repeated at the same location.
- 5.7 If required, obtain a sample of the soil and determine the moisture content as detailed in Test Method AS 1289.2.1.1 or record the moisture condition of the soil.

6 Reporting

The following shall be reported:

- 6.1 The location at which the test was performed, and the reduced level of the layer tested.
- 6.2 The date tested.
- 6.3 A description of the material tested.
- 6.4 Peak surface deflection(s) to the nearest 0.001 mm.
- 6.5 Peak load to the nearest 0.1 kN.
- 6.6 Distance of any additional deflection sensors from the load point.

- 6.7 Moisture content of the soil or the moisture condition of the soil, that is, wet, moist or dry, if required.
- 6.8 The number of this test method, that is Q726B.

7 Notes on method

- 7.1 It is recommended to perform verification testing on calibrated devices before they are returned to service to confirm the device is working. This also provides a baseline that later verification testing may be compared.