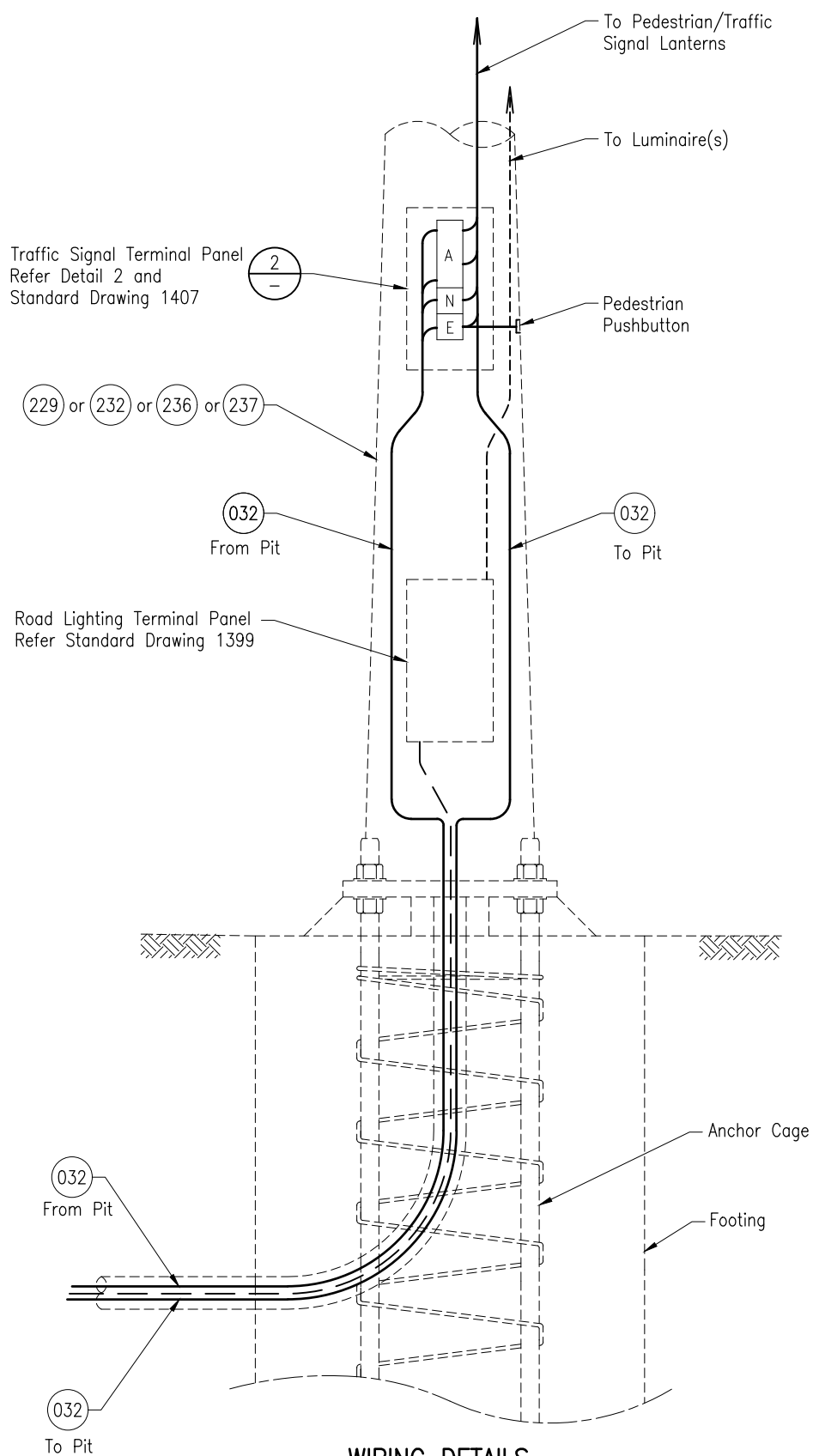
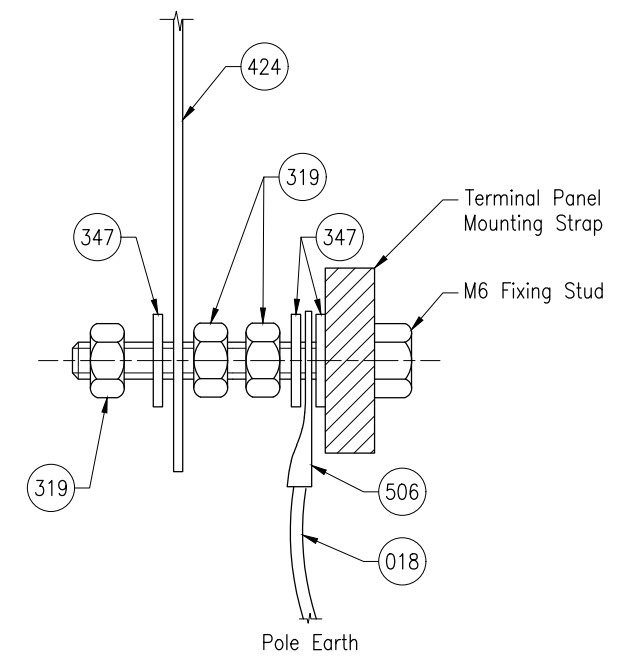


DETAIL 1



WIRING DETAILS (DIAGRAMMATIC SKETCH ONLY)



DETAIL 1
ASSEMBLY SEQUENCE FOR TERMINAL PANEL AND EARTH
Refer Note 1

NOTES:

1. Ensure earth connection properly tightened before installing traffic signal terminal panel. Torque on nuts of assembly to be approximately 8Nm. Use a digital torque wrench or ring spanner to tighten. Lubricated/oiled components or power tool based fastening are not accepted.
2. Refer project specific drawings for signal group and pushbutton allocations.

ASSOCIATED DEPARTMENTAL DOCUMENTS:

- Standard Drawings
- Specifications

REFERENCED DOCUMENTS:

- Departmental Standard Drawings:
- 1323 Road Lighting – Luminaire Terminal Panel
 - 1399 Road Lighting – Base Plate Mounted Pole Wiring Details
 - 1407 Traffic Signals – Traffic Signal Terminal Panel for Joint Use Poles
 - 1670 Traffic Signals – Traffic Signal Wiring Connections
 - 1699 Traffic Signals/Road Lighting/ITS – Parts List

Departmental Specifications:

- MRTS93 Traffic Signals
- MRTS228 Provision of Electrical Switchboards
- MRTS256 Power Cables

Australian Standards:

- AS/NZS 3000 Electrical Installations (Wiring Rules)

Department of Transport and Main Roads		 <small>© The State of Queensland (Department of Transport and Main Roads) 2022 http://creativecommons.org/licenses/by/4.0/</small>
TRAFFIC SIGNALS		
TRAFFIC SIGNAL TERMINAL PANEL FOR JOINT USE POLES WIRING DETAILS		A3 Standard Drawing No 1408 Not to Scale Date 7/2022
A	B	C
D	E	F
G		