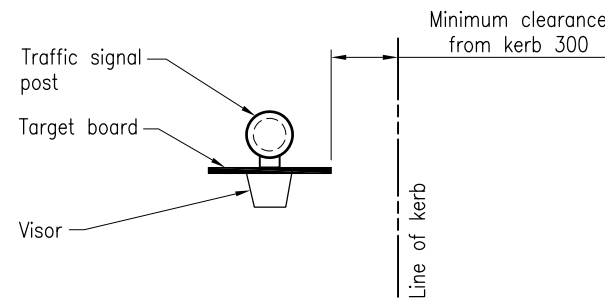
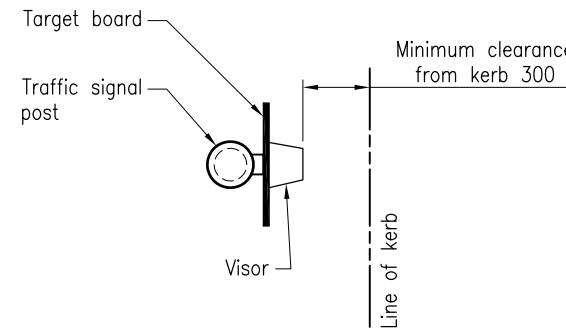


TRAFFIC SIGNAL POST
GENERAL ARRANGEMENT

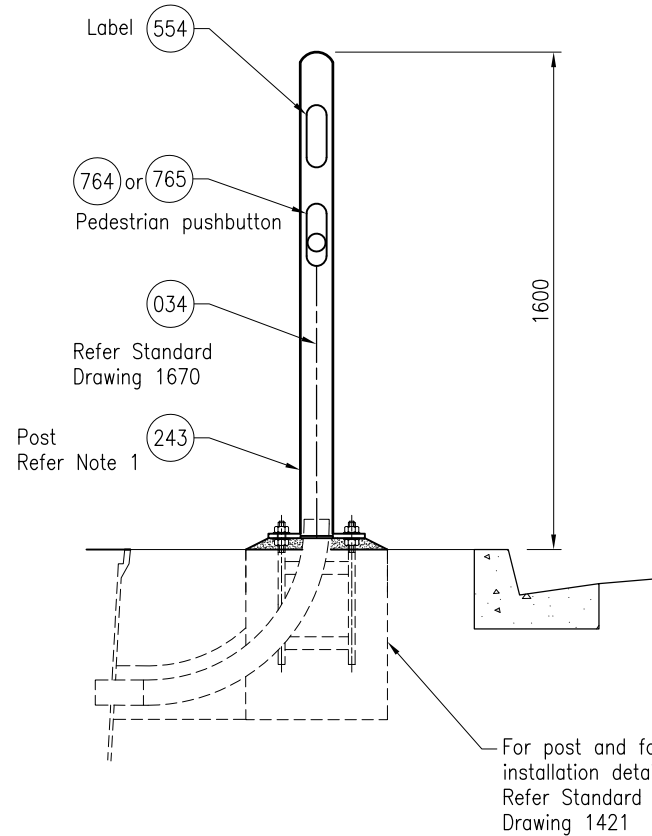
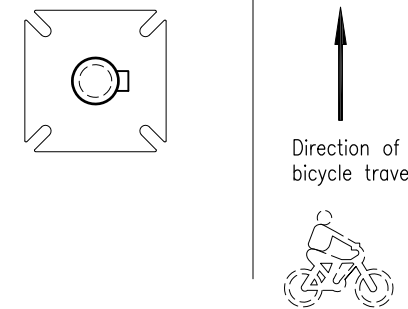
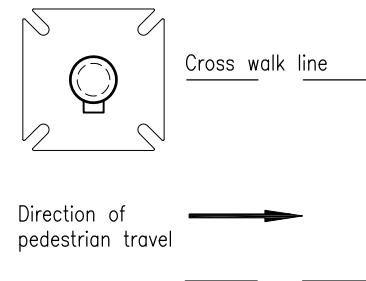


VISOR IN LINE WITH KERB

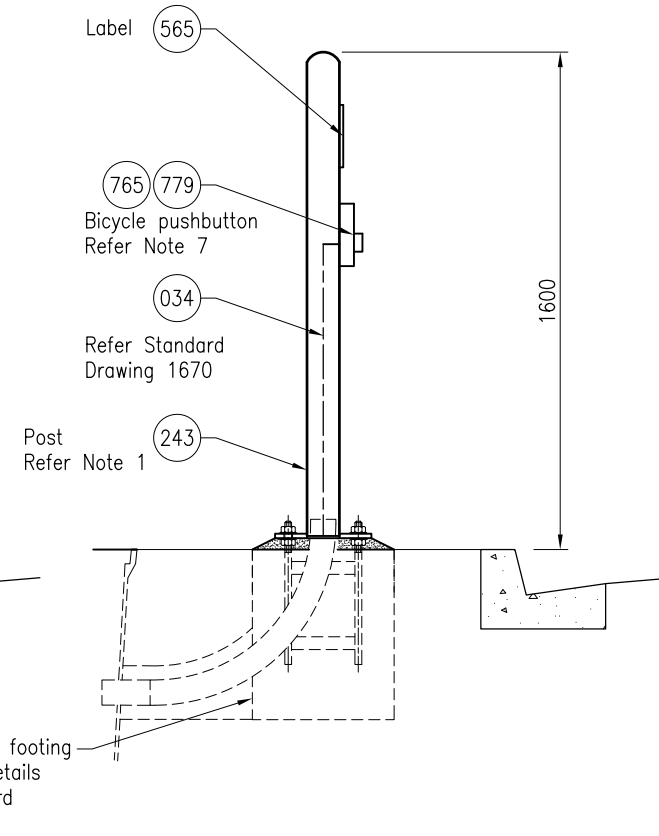


VISOR PERPENDICULAR WITH KERB

CLEARANCE REQUIREMENT



PEDESTRIAN
PUSHBUTTON POST
GENERAL ARRANGEMENT



BICYCLE
PUSHBUTTON POST
GENERAL ARRANGEMENT

NOTES:

- Types
 (245) for general use.
 (244) for use under awnings and for pedestrian lanterns only.
 (243) for pedestrian/bicycle pushbutton post.
 - (773) is used with (764) and must be mounted on the same side of the post as the pedestrian pushbutton unit.
 - Refer to project specific drawings.
 - On (245) pedestrian lanterns are mounted below vehicle lanterns.
 On (244) pedestrian lanterns are positioned to suit situation.
- Refer Guide To Traffic Management Part 9: Traffic Operations for lantern mounting height.
- Lanterns to be mounted offset to post to maintain minimum clearance to kerb. (Shown protruding for illustration of mounting only).
 - Refer Guide To Traffic Management Part 9: Traffic Operations for placement and orientation of pedestrian pushbuttons.
 - Refer detail Bicycle Pushbutton Post General Arrangement for bicycle pushbutton and label installation. Bicycle pushbutton is a standard pushbutton with arrow replaced by bicycle escutcheon plate.
 - Dimensions are in millimetres unless shown otherwise.

ASSOCIATED DEPARTMENTAL DOCUMENTS:

Standard Drawings
Specifications

REFERENCED DOCUMENTS:

- Departmental Standard Drawings:
- 1421 Traffic Signals – Traffic Signals Post and Footing Installation Details
 - 1635 Traffic Signals – Traffic Signal Upper Mounting Assembly and Split Shell Assembly
 - 1670 Traffic Signals – Traffic Signal Wiring Connections
 - 1699 Traffic Signals/Road Lighting/ITS – Parts List
 - KRG1 Kerb Ramp – Guidelines for the Installation of Tactile Ground Surface Indicators on Ramped Kerb Crossings
 - KRG2 Kerb Ramp – Application Examples for the Installation of Tactile Ground Surface Indicators on Ramped Kerb Crossings

Departmental Specifications:

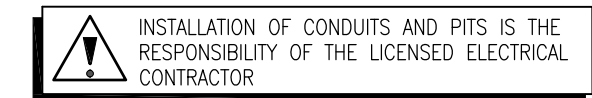
MRTS93 Traffic Signals

Australian Standards:

- AS/NZS 2144 Traffic Signal Lanterns
- AS 2339 Traffic Signal Posts and Attachments
- AS 2353 Pedestrian Push-button Assemblies

Austrroads

Guide To Traffic Management Part 9: Traffic Operations



| | | | |
|--|---|--------------------|---|
| Department of Transport and Main Roads | | | |
| TRAFFIC SIGNALS | | | |
| TRAFFIC SIGNAL POST BASE MOUNTED | | A3 Not to Scale | Standard Drawing No 1428 Date 1/19 |
| B | C | D | E |
| F | G | H | |