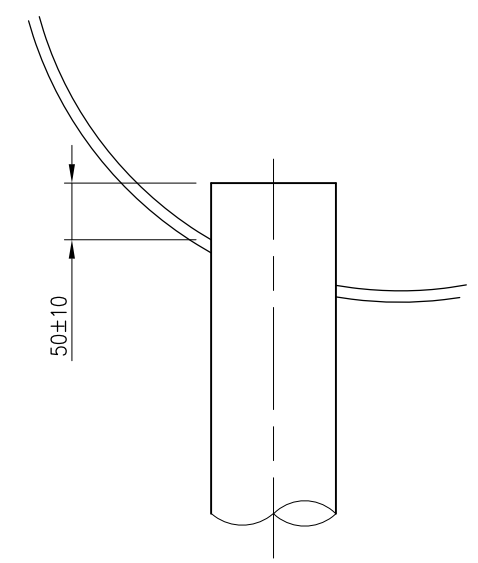
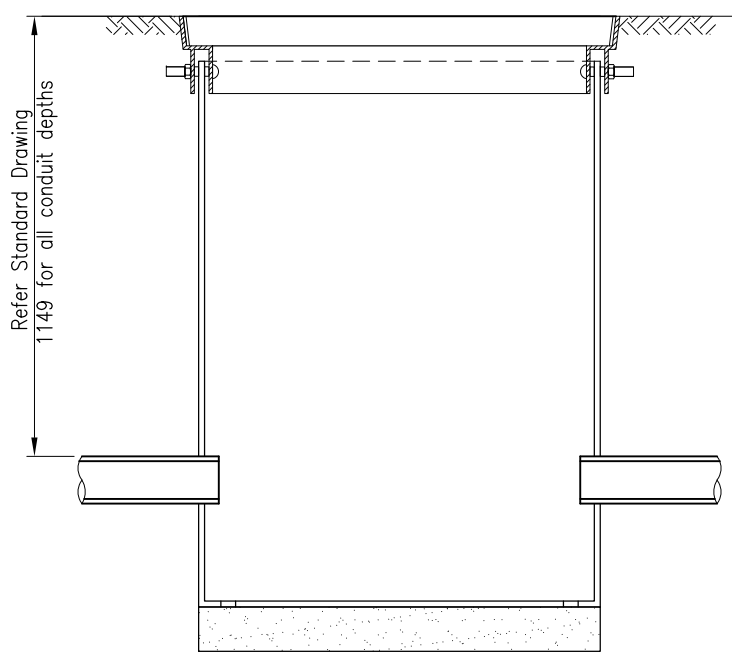


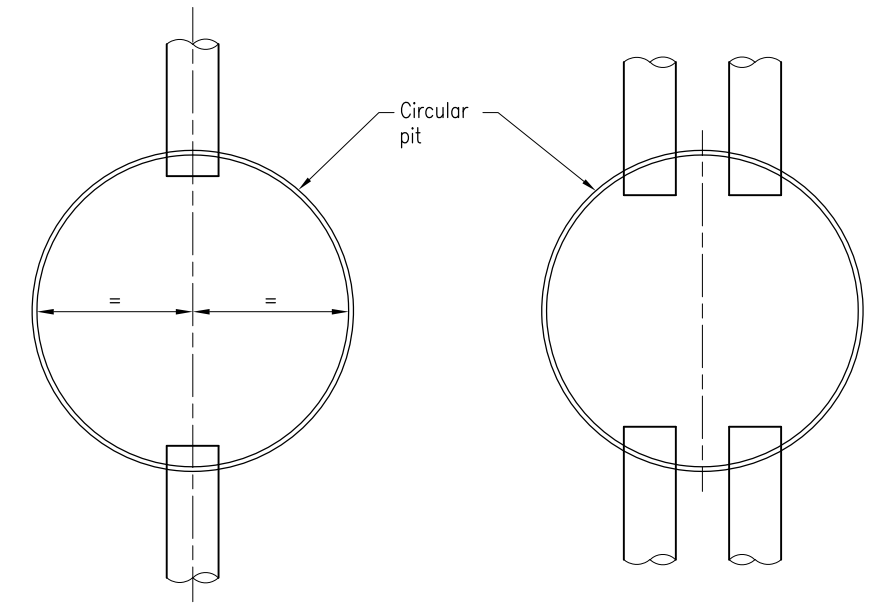
PLAN VIEW  
TWO CONDUITS SINGLE TRENCH ENTERING SEPARATE CIRCULAR PITS



CLEARANCE OF CONDUIT TO PIT WALL



CROSS SECTION OF CIRCULAR PIT



PLAN VIEW ONE CONDUIT SINGLE TRENCH      PLAN VIEW TWO CONDUITS SINGLE TRENCH

**NOTES:**

1. Preformed PVC bends shall not be used on conduits shown on this drawing.
2. Installation of conduits and marker tape shall be in accordance with Standard Drawing 1149.
3. Dimension A shall be in the range:  $0.5 \times \text{Pit Radius} \leq A \leq \text{Pit Radius}$ .
4. The dimensions shown in notes 2 and 3 are critical dimensions. (These dimensions are required for ease of cable installation).
5. Refer to Standard Drawings 1415, 1416, 1417 and 1418 for pit details.
6. Dimensions are in millimetres unless shown otherwise.

**ASSOCIATED DEPARTMENTAL DOCUMENTS:**

Standard Drawings Specifications

**REFERENCED DOCUMENTS:**

- Departmental Standard Drawings:
- 1149 Traffic Signals/Road Lighting/ITS – Installation of Underground Electrical and Communications Conduit
  - 1415 Traffic Signals/Road Lighting – Cable Jointing Pit Circular Types 60 and 100
  - 1416 Traffic Signals/Road Lighting – Collar for Circular Cable Jointing Pit
  - 1417 Traffic Signals/Road Lighting – Traffic Signals/Road Lighting – Cable Jointing Pit Circular Pit Cover
  - 1418 Traffic Signals/Road Lighting – Cable Junction Box Supporting Strap
  - 1699 Traffic Signals/Road Lighting/ITS – Parts List

**Departmental Specifications:**

- MRTS91 Conduits and Pits
- MRTS228 Electrical Switchboards
- MRTS256 Power Cables

**Australian Standards:**

AS/NZS 3000 Electrical Installations (Wiring Rules)

Department of Transport and Main Roads		 <small>© The State of Queensland (Department of Transport and Main Roads) 2021  <a href="https://creativecommons.org/licenses/by/4.0/">https://creativecommons.org/licenses/by/4.0/</a></small>	
TRAFFIC SIGNALS/ROAD LIGHTING			
CONDUIT ENTRY DETAILS INTO CIRCULAR PITS		A3	Standard Drawing No
		Not to Scale	1630
			Date 3/2021
A	B	C	D
E	F	G	