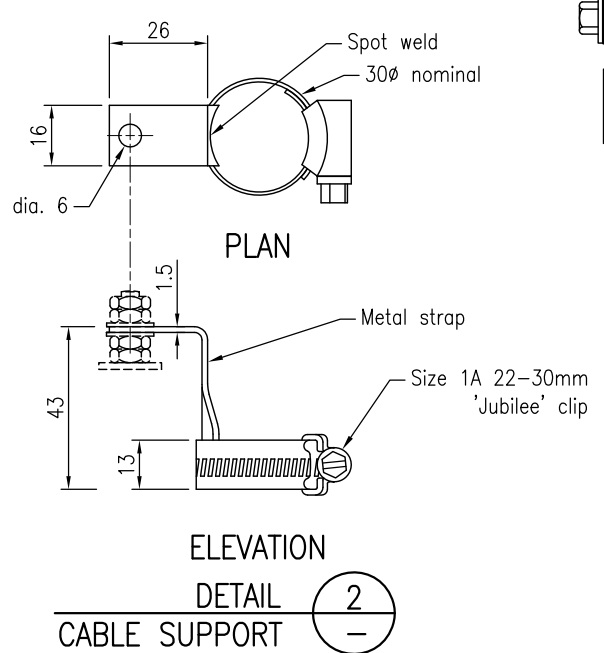
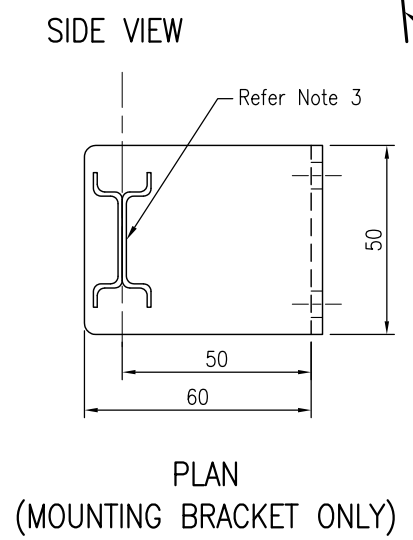


- NOTES:**
1. For Split shell assembly details, refer AS 2339.
 2. Dimensions are in millimetres unless shown otherwise.
 3. Spot weld DIN rails together at top, and at bottom onto bracket ensuring there is a 5mm space between back faces of DIN rails.
 4. Refer Standard Drawing 1670 for wiring connections.

ASSOCIATED DOCUMENTS:
 Main Roads Standard Drawings Roads manual
 Main Roads Specifications and Technical Standards Manual

REFERENCED DOCUMENTS:
 Standard Drawings:
 1670 Traffic Signals – Traffic Signal Wiring Connections
 1699 Traffic Signals/Road Lighting/ITS – Parts List

Australian Standards:
 AS 2053 Conduits and Fittings for Electrical Installations – General Requirements
 AS 2339 Traffic Signal Posts and Attachments
 AS/NZS 3000 Wiring Rules



DETAIL 1
SUPPORT BRACKET CASTING

TRAFFIC SIGNAL UPPER MOUNTING ASSEMBLY (775)

Department of Transport and Main Roads			
TRAFFIC SIGNALS			
TRAFFIC SIGNAL UPPER MOUNTING ASSEMBLY AND SPLIT SHELL ASSEMBLY		A3	Standard Drawing No
		Not to Scale	1635
			Date 2/13
A	B		