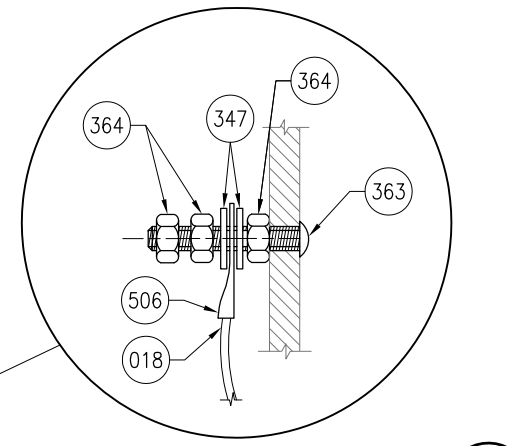
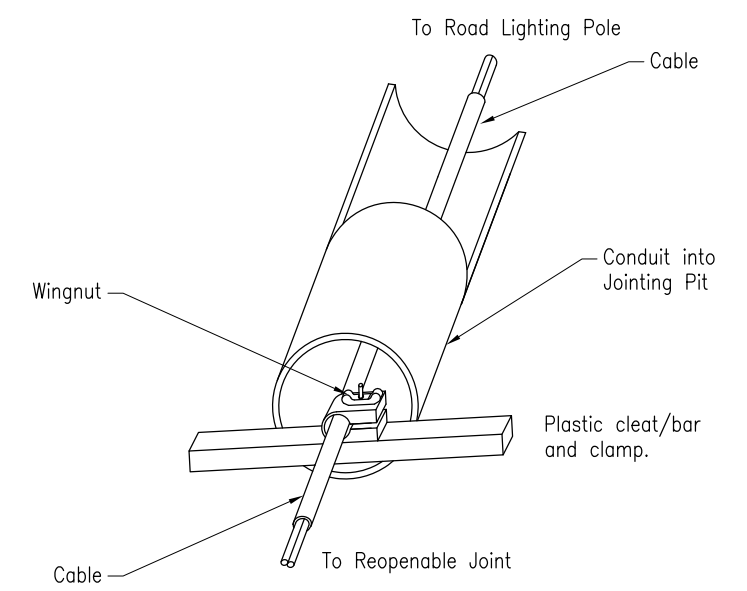


DETAIL 1



DETAIL 3
EARTH CABLE/BASE CONNECTION



DETAIL 2

NOTES:

1. Only 1 junction box per pit.
2. Drill and tap a hole in the slip base mount to suit (363)
3. Fully wind (363) into the tapped hole. Secure the Earth Conductor Lug inside as shown in Detail 3. Ensure earth connection is properly tightened.
4. In the pole, secure the cable using the plastic clamp and the bolt assembly so that the cable below has no slack and the plug and socket joint is level with the slip plane. Refer Detail 1.
5. In the pit, secure the cable as show in Detail 2 using the 265mm plastic cleat/bar and clamp. Firmly tighten the wing nut.

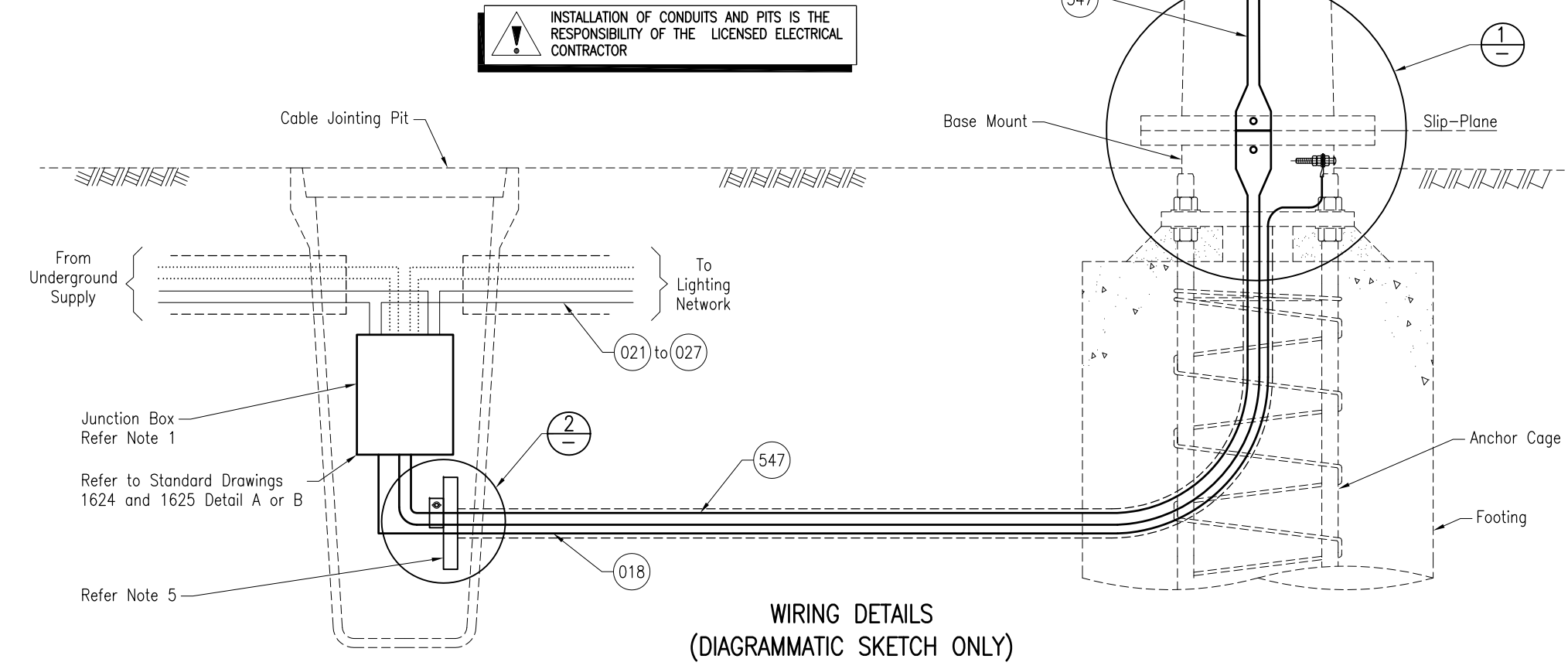
ASSOCIATED DEPARTMENTAL DOCUMENTS:
Standard Drawings
Specifications

- REFERENCED DOCUMENTS:
- Standard Drawings:
 - 1380 Road Lighting – Slip Base Pole and Footing Installation Details for No Crossfall
 - 1381 Road Lighting – Slip Base Pole and Footing Installation Details for Crossfalls up to and Including 1:6
 - 1382 Road Lighting – Slip Base Pole Installation Details for Crossfalls Greater than 1:6 up to and Including 1:3
 - 1400 Road Lighting – Slip Base Pole Wiring Details
 - 1624 Road Lighting – Junction Box Single Phase Wiring Details
 - 1625 Road Lighting – Junction Box Three Phase Wiring Details
 - 1699 Traffic Signals/Road Lighting/ITS – Parts list

Departmental Specifications:
MRTS228 Provision of Electrical Switchboards
MRTS256 Power Cables

Australian Standards:
AS/NZS 3000 Electrical Installations (Wiring Rules)

! INSTALLATION OF CONDUITS AND PITS IS THE RESPONSIBILITY OF THE LICENSED ELECTRICAL CONTRACTOR



WIRING DETAILS
(DIAGRAMMATIC SKETCH ONLY)

Department of Transport and Main Roads		 <small>© The State of Queensland (Department of Transport and Main Roads) 2017 http://creativecommons.org/licenses/by/3.0/au</small>	
ROAD LIGHTING			
SLIP BASE POLE RETROFIT 2 PIN PLUG AND SOCKET INSTALLATION		A3 Not to Scale	Standard Drawing No 1639 Date 10/17
A	B	C	