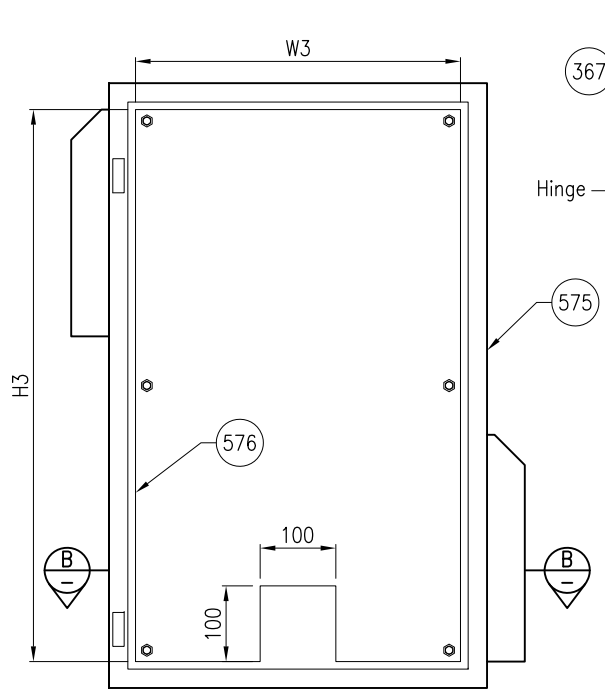
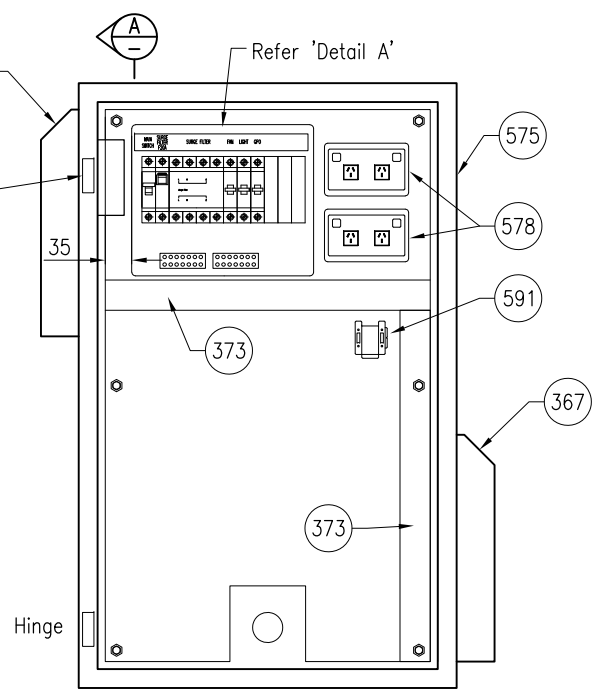


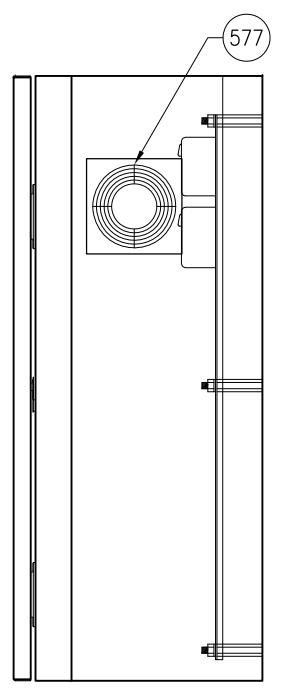
FRONT VIEW



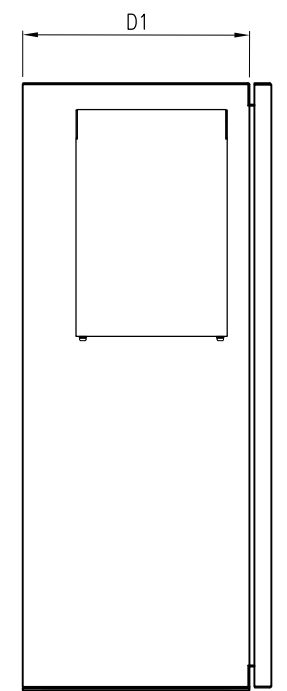
FRONT VIEW DOOR REMOVED



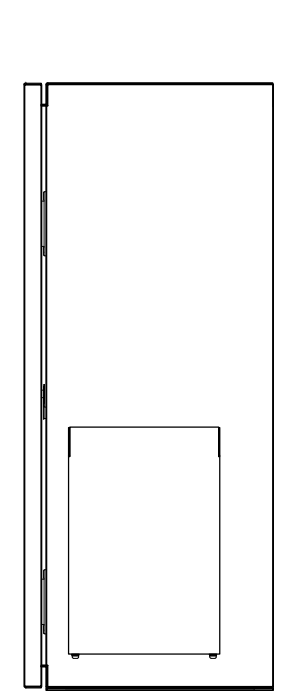
FRONT VIEW DOOR AND ESCUTCHEON REMOVED



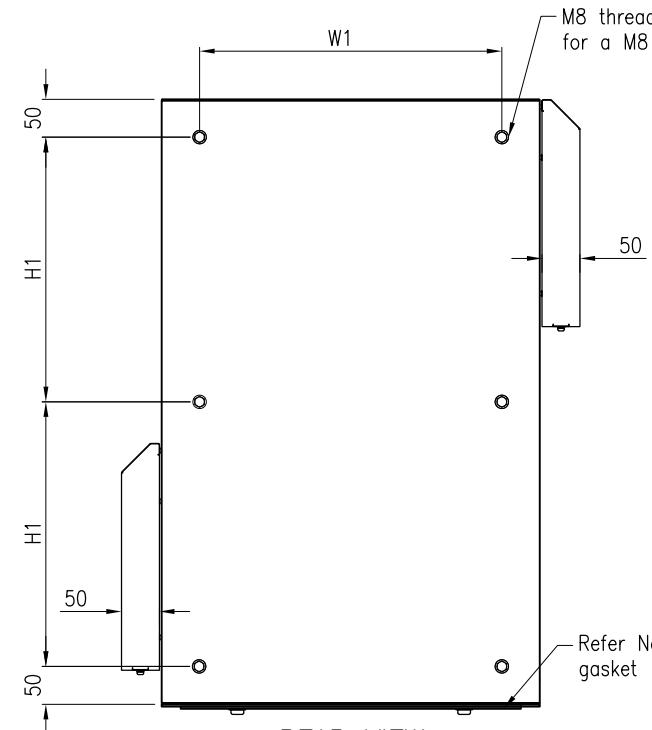
SECTION A



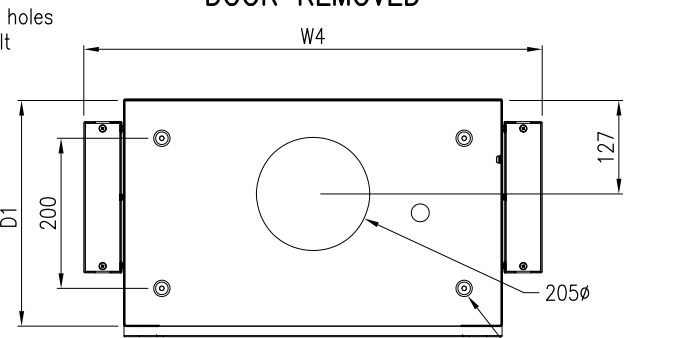
LHS VIEW



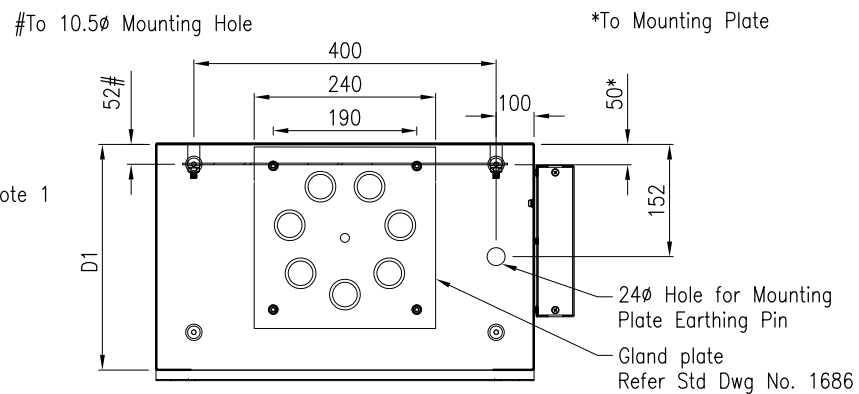
RHS VIEW



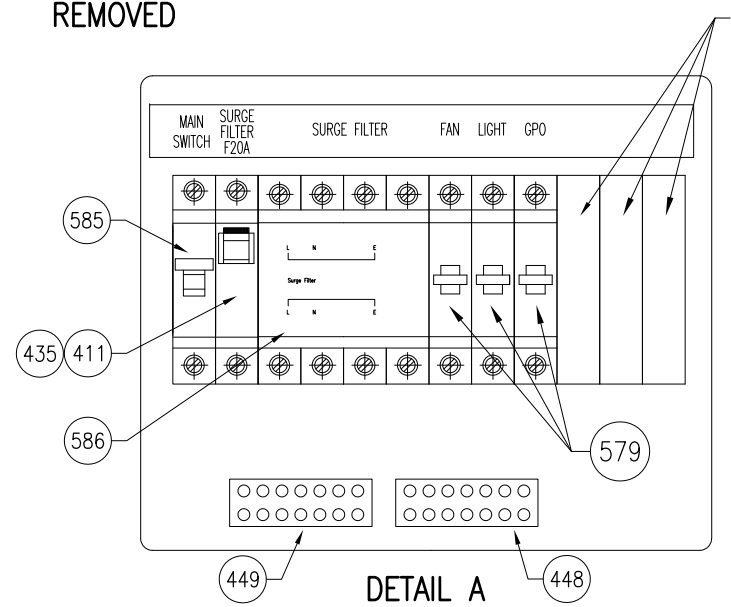
REAR VIEW



BOTTOM VIEW



SECTION B



DETAIL A

Spare, additional circuits as required

NOTES:

1. For material notes, refer standard drawing 1686.
2. For post top installation details refer standard drawings 1627 and 1628.
3. For back mount installation, refer MRTS97. Use 3 x 376
4. Dimensions are in millimetres unless shown otherwise.

ASSOCIATED DEPARTMENTAL DOCUMENTS:

- Standard Drawings Specifications
- Traffic and Road Use Management Manual (TRUM) - Volume 4 Part 3 Electrical Design for Roadside Devices

REFERENCED DOCUMENTS:

- Departmental Standard Drawings:
- 1627 Road Lighting - Switchboard Top Mounted
 - 1628 Road Lighting - Post - Top Mounted Switchboard
 - 1686 Road Lighting - Switchboard Assembly Details
 - 1699 Traffic Signals/Road Lighting/ITS - Parts List

Departmental Standard Specifications:

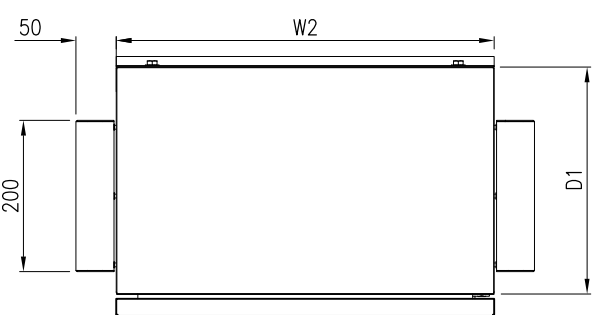
- MRTS97 Mounting Structures for Roadside Equipment
- MRTS210 Provision of Mains Power
- MRTS226 Telecommunications Field Cabinets
- MRTS228 Electrical Switchboards
- MRTS256 Power Cables

Australian Standards:

- AS/NZS 3000 Electrical Installations (Wiring Rules)

Refer Standard Drawing 1686 for details of:

- gland plate
- without gland plate
- switchboard gasket
- gland plate gasket

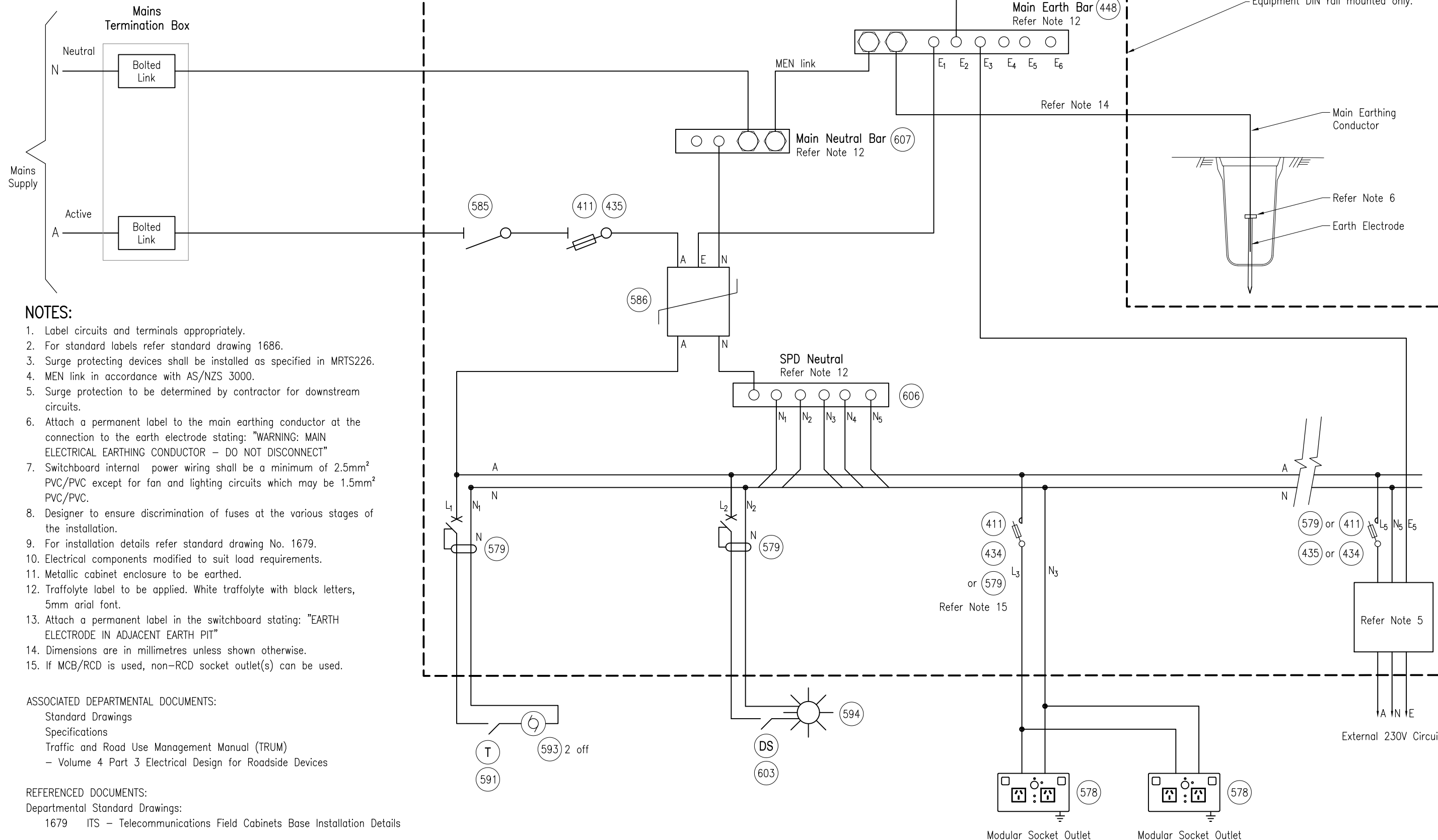


TOP VIEW

DIMENSION TABLE

Label	Description	Type A (Large)	Type B (Medium)	Type C (Small)
H1	Vertical Separation of Mounting Holes	453.5	453.5	453.5
H2	External Height of Cabinet	1000	1000	600
H3	Internal Height of Cabinet	930	930	530
W1	Horizontal Separation of Mounting Holes	505	505	505
W2	External Width of Cabinet (No Cowlings)	600	600	600
W3	Internal Width of Cabinet	530	530	530
W4	External Width of Cabinet (With Cowlings)	712	712	712
D1	Depth of Cabinet (Without Doors)	400	300	300

Department of Transport and Main Roads			
ITS			
SWITCHBOARD ASSEMBLY DETAILS POLE / TOP MOUNTED SHEET 1 OF 2		A3	Standard Drawing No 1690
		Not to Scale	Date 3/2023



NOTES:

1. Label circuits and terminals appropriately.
2. For standard labels refer standard drawing 1686.
3. Surge protecting devices shall be installed as specified in MRTS226.
4. MEN link in accordance with AS/NZS 3000.
5. Surge protection to be determined by contractor for downstream circuits.
6. Attach a permanent label to the main earthing conductor at the connection to the earth electrode stating: "WARNING: MAIN ELECTRICAL EARTHING CONDUCTOR – DO NOT DISCONNECT"
7. Switchboard internal power wiring shall be a minimum of 2.5mm² PVC/PVC except for fan and lighting circuits which may be 1.5mm² PVC/PVC.
8. Designer to ensure discrimination of fuses at the various stages of the installation.
9. For installation details refer standard drawing No. 1679.
10. Electrical components modified to suit load requirements.
11. Metallic cabinet enclosure to be earthed.
12. Traffolyte label to be applied. White traffolyte with black letters, 5mm arial font.
13. Attach a permanent label in the switchboard stating: "EARTH ELECTRODE IN ADJACENT EARTH PIT"
14. Dimensions are in millimetres unless shown otherwise.
15. If MCB/RCD is used, non-RCD socket outlet(s) can be used.

ASSOCIATED DEPARTMENTAL DOCUMENTS:

- Standard Drawings
- Specifications
- Traffic and Road Use Management Manual (TRUM) – Volume 4 Part 3 Electrical Design for Roadside Devices

REFERENCED DOCUMENTS:

- Departmental Standard Drawings: 1679 ITS – Telecommunications Field Cabinets Base Installation Details

Departmental Specifications:

- MRTS226 Telecommunications Field Cabinets
- MRTS228 Electrical Switchboards
- MRTS256 Power Cables

Australian Standards:

- AS/NZS 3000 Electrical Installations (Wiring Rules)

LEGEND

- DS** Door Switch
- T** Thermostat

POLE / TOP MOUNTED SWITCHBOARD CIRCUIT DIAGRAM

Department of Transport and Main Roads			
ITS			
SWITCHBOARD TYPICAL LAYOUT AND CIRCUIT DIAGRAM MEN SYSTEM POLE / TOP MOUNTED SHEET 2 OF 2		Standard Drawing No 1690 Date 3/2023	© The State of Queensland (Department of Transport and Main Roads) 2023 https://creativecommons.org/licenses/by/4.0/
A3	Not to Scale		
A	B	C	