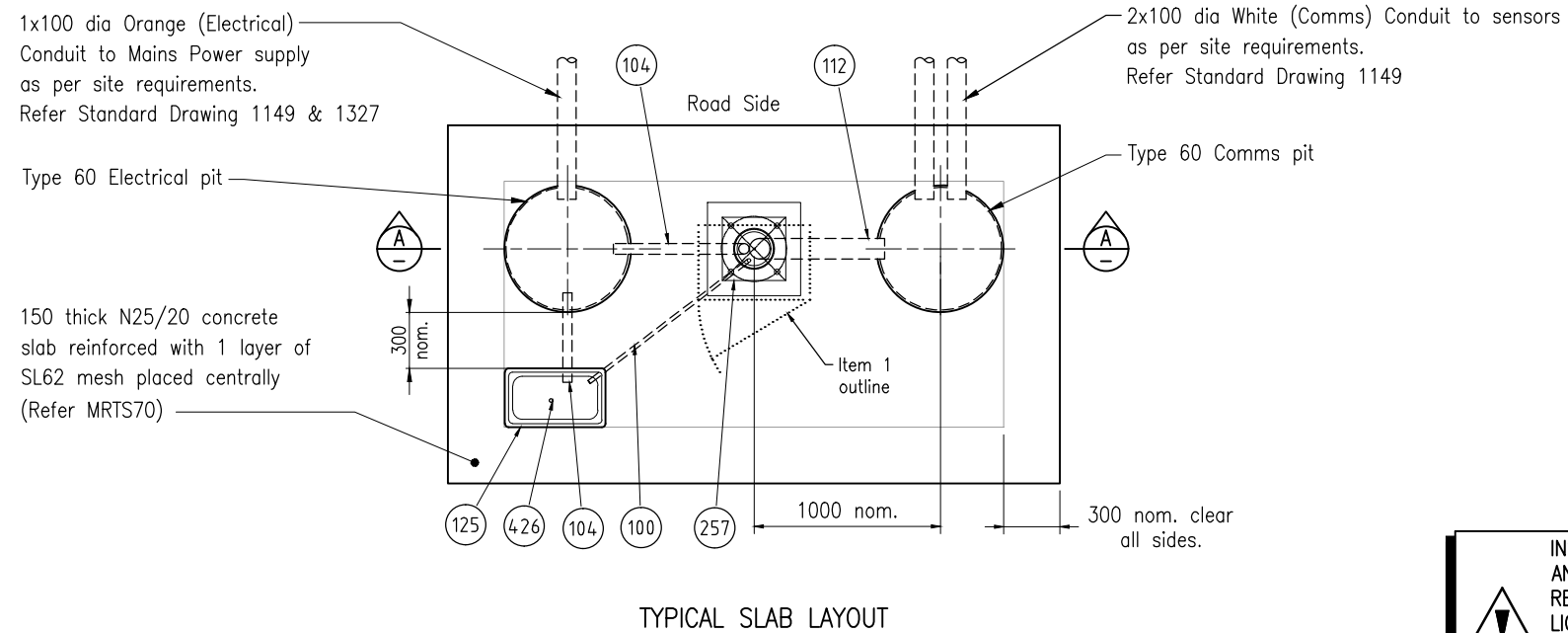
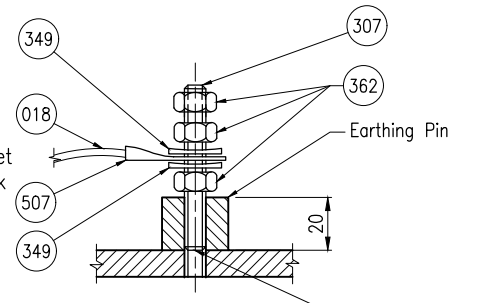


ITEM No.	EQUIPMENT DESCRIPTION	QTY
1	Stainless Steel Cabinet 1000(h)x600(w)x400(d)	1
2	Door Lever Lock with CyberKey Cylinder	1
3	3G/4G/5G Antenna	1
nnn	Part no. nnn listed on SD1699	1



NOTES:

- This drawing is a conceptual arrangement of a typical vehicle classifier cabinet installation. Exact arrangement will vary from project to project.
- Contact Engineering and Technology / Structures team for approval of structural components and installations.
- For determination of sensor placement at vehicle classification site, refer to Traffic and Road Use Management Manual Vol 4 Part 5.
- For determination of cabinet placement in relation to requirement of clear zones for fixed roadside objects, refer to TMR Road Planning and Design Manual – Edition 2: Volume 3, Supplement to Austroads Guide to Road Design Part 6: Roadside Design, Safety and Barriers.
- Ensure there are no underground services in vicinity prior to installation.
- Approximately a 20mm length of booker rod must be screwed into the cabinet post earthing pin.
- Pits may be located differently to suit mains power and communications requirements.
- Refer to relevant notes in SD1679 for the construction of earth pit and installation of earth electrode.
- Antenna to be external to cabinet.
- Refer Standard Drawing 1699 for part details.
- Dimensions are in millimetres (mm) unless shown otherwise.

ASSOCIATED DEPARTMENTAL DOCUMENTS:

- Standard Drawings
- Specifications

REFERENCED DOCUMENTS:

- Departmental Standard Drawings:
- 1149 Traffic Signals/Road Lighting/ITS – Installation of Underground Electrical and Communications Conduit
 - 1314 Traffic Signals/Road Lighting – Cable Jointing Pit Drainage Details
 - 1327 Traffic Signals/Road Lighting – Mains Connections
 - 1415 Traffic Signals/Road Lighting – Circular Cable Jointing Pit Type 60 and 100
 - 1416 Traffic Signals/Road Lighting – Collar for Circular Cable Jointing Pit
 - 1421 Traffic Signals – Traffic Signals Post and Footing Installation Details
 - 1440 Traffic Signals/Road Lighting – Cable Jointing Pit Rectangular Concrete Surround
 - 1627 Road Lighting – Switchboard Top Mounted
 - 1628 Road Lighting – Post-top Mounted Switchboard
 - 1679 ITS – Telecommunications Field Cabinet Base Installation Details
 - 1699 Traffic Signals/Road Lighting/ITS – Parts List
 - 1923 ITS – Vehicle Classifier Cabinet Details – Mains Powered

Departmental Standard Specifications:

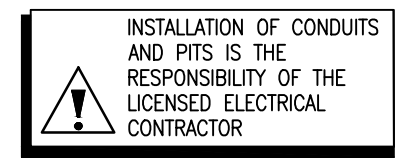
- MRTS70 Concrete
- MRTS91 Conduit & Pits
- MRTS200 General Requirements for Intelligent Transport Systems (ITS) Infrastructure
- MRTS201 General Equipment Requirements
- MRTS207 Traffic Survey Foundation Equipment
- MRTS251 Traffic Counter/Classifier

Departmental Manuals:

- Traffic and Road Use Management Manual Vol 4 Part 5
- Road Planning and Design Manual – Edition 2: Vol 3

Australian Standards:

- AS/NZS 3000 Electrical Installations (Wiring Rules)



Department of Transport and Main Roads			
ITS			
VEHICLE CLASSIFIER CABINET INSTALLATION MAINS POWERED		A3	Standard Drawing No 1925 Date 3/2023
		Not to Scale	
A	B		