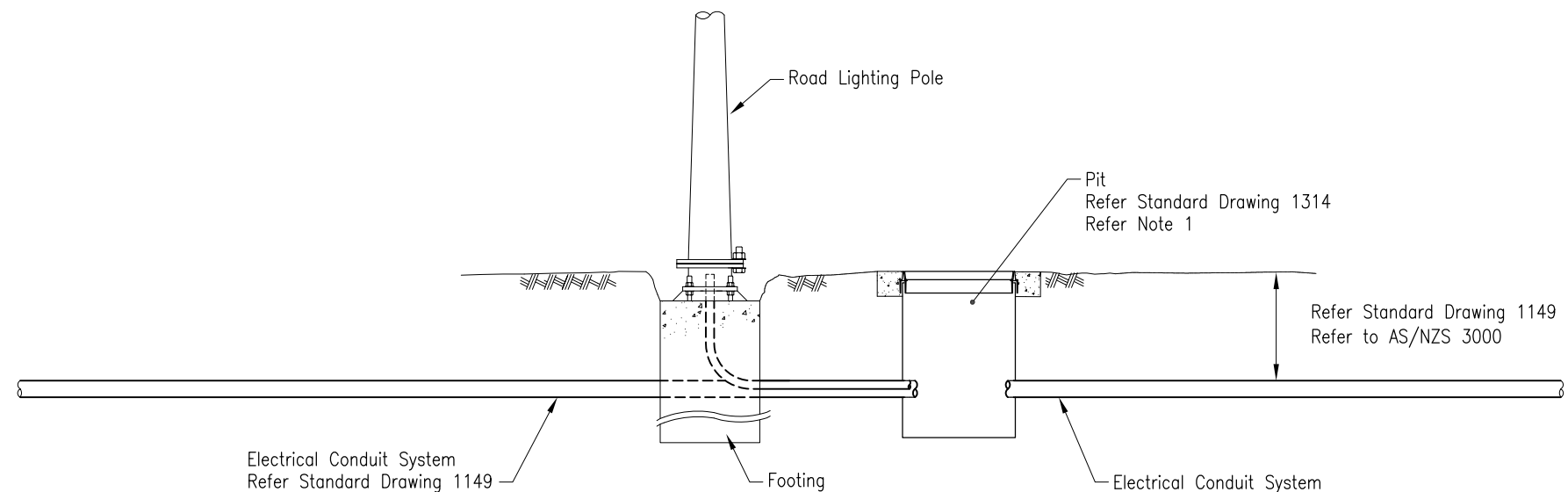


PLAN



ELEVATION

NOTES:

1. Standard pits shall be located in the preferred location shown in the plan view unless otherwise approved by TMR. However where site conditions do not permit this, e.g. drainage paths, the pits may be located no further than 3000 and no closer than 600 to the Road Lighting Pole. All pits that cannot be located at the preferred location are acceptable within these boundaries as indicated in the plan view if approved by TMR.
2. Standard pits to be located along longitudinal alignment of conduiting.
3. Access to pit to be clear of obstructions e.g. guard rail.
4. When kerb is present, pit to be clear of any obstruction, however pit surround may butt against rear face of kerb.
5. Footing/Foundation conduiting is the conduit which is shown on the footing drawings and which is used to connect footings, foundations or other civil engineering constructs to the underground electrical conduit system. The footing conduiting allows one or more cables to be drawn from the underground conduiting system clear through the footing or foundation.
6. Underground electrical conduit system is the conduit which creates a closed underground passage between footings or foundations or other, civil engineering constructs and which is designed to receive one or more cables which may be drawn in. This is generally all conduits except those shown on footing drawings.
7. Dimensions in millimetres unless shown otherwise.

ASSOCIATED DEPARTMENTAL DOCUMENTS:

- Standard Drawings
- Specifications

REFERENCED DOCUMENTS:

Departmental Standard Drawings:

- 1149 Traffic Signals/Road Lighting/ITS – Installation of Underground Electrical and Communications Conduit.
- 1314 Traffic Signals/Road Lighting – Cable Jointing Pit Drainage Details.
- 1315 Road Lighting – Lighting Design Parameters
- 1380 Road Lighting – Slip Base Pole and footing Installation Details for No Crossfall.
- 1381 Road Lighting – Slip Base Pole and footing Installation Details for Crossfalls up to and including 1:6.
- 1382 Road Lighting – Slip Base Pole and Footing Installation Details for Crossfalls Greater than 1:6 up to and Including 1:3
- 1392 Road Lighting – Base Plate Mounted Pole and Footing Installation Details for Crossfalls up to and including 1:2.
- 1393 Road Lighting – Base Plate Mounted Pole and Footing Installation Details for Crossfalls greater than 1:2.
- 1429 Road Lighting – Slip Base Pole and Footing Installation Details for Crossfalls greater than 1:6 up to and including 1:3 using Concrete Step Tread.
- 1685 Traffic Signals/Road Lighting/ITS – Precast Concrete Surround for Circular Pit
- 1699 Traffic Signals/Road Lighting/ITS – Parts List.

Departmental Specifications:

- MRTS91 Conduits and Pits

Australian Standards:

- AS/NZS 3000 Electrical Installations (Wiring Rules)

Department of Transport and Main Roads		 <small>© The State of Queensland (Department of Transport and Main Roads) 2018 http://creativecommons.org/licenses/by/3.0/au</small>	
ROAD LIGHTING			
TYPICAL PHYSICAL ARRANGEMENT	A3	Standard Drawing No	
	Not to Scale	1329	
		Date 7/18	