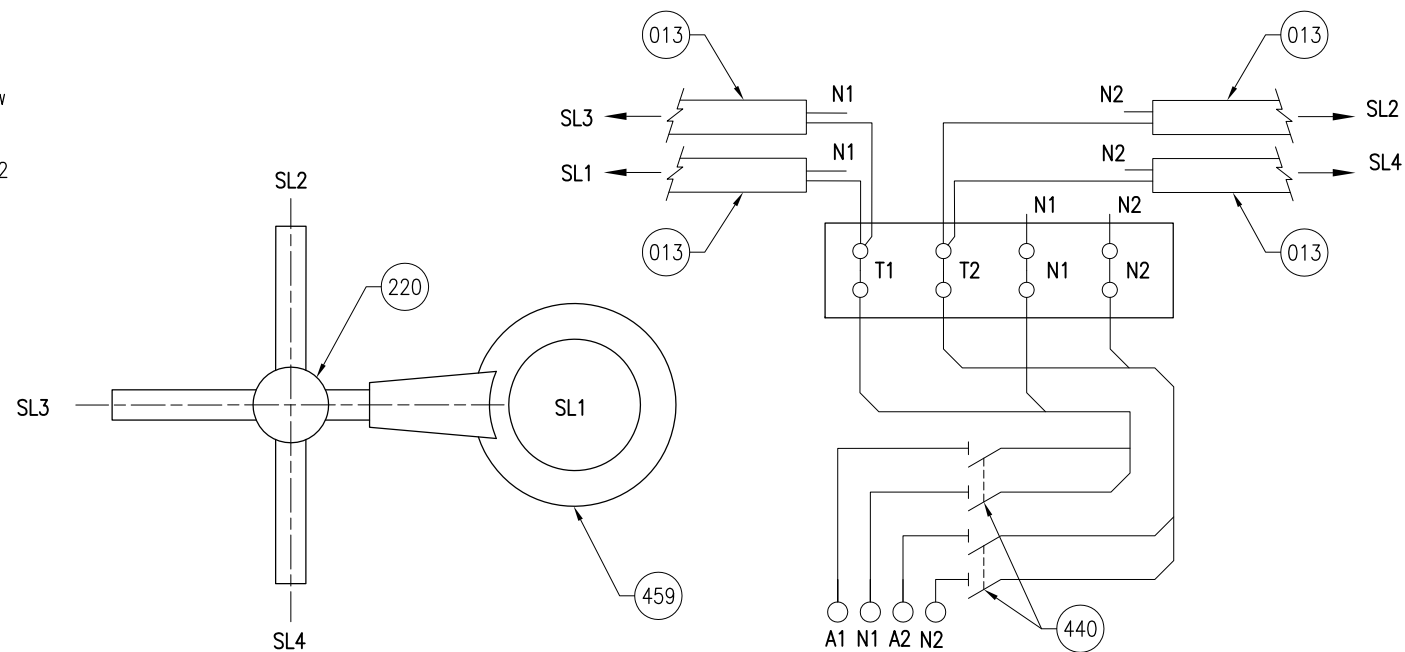


EXPLODED SECTION CABLE CLAMPING BLOCK

Refer Standard Drawing 1389 for slip base pole

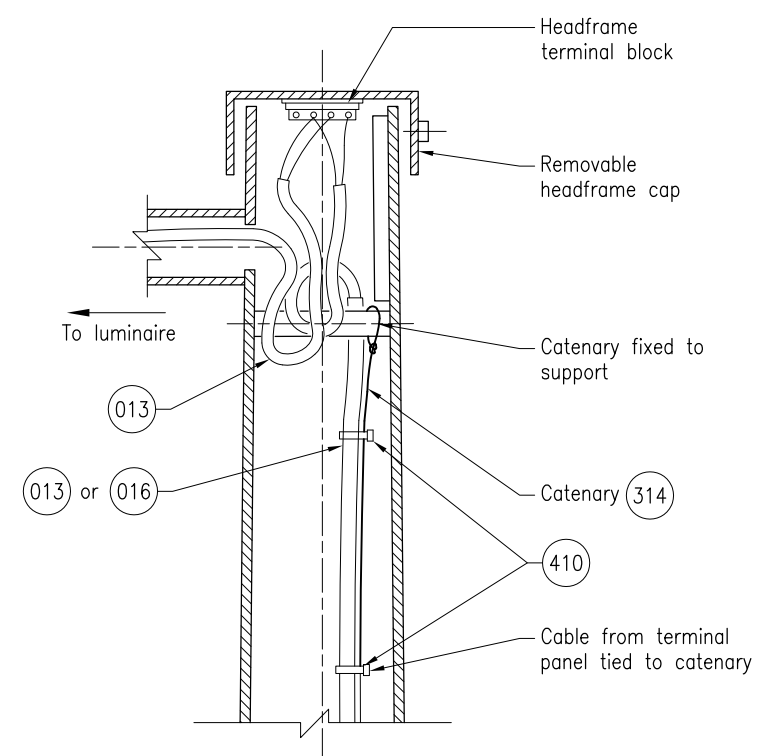


PLAN VIEW

WIRING DIAGRAM

Refer Note 1

4 WAY HEADFRAME
400 W LUMINAIRES



SECTIONAL DETAIL

(One cable only shown)

NOTES:

1. Refer to Standard Drawings 1399 and 1400.
2. Earth conductor lug to be positioned and fixed securely between the clamping bolt head and cable clamping bracket of the lower clamping block.
3. M8 x 45 setscrew, washers, nuts and wing nuts are supplied with the slip base pole. and slip base mount.

ASSOCIATED DEPARTMENTAL DOCUMENTS:

- Standard Drawings
- Specifications
- Traffic and Road Use Management Manual (TRUM) - Volume 4.4 Rate 3 Road Lighting Junction Box Assembly

REFERENCED DOCUMENTS:

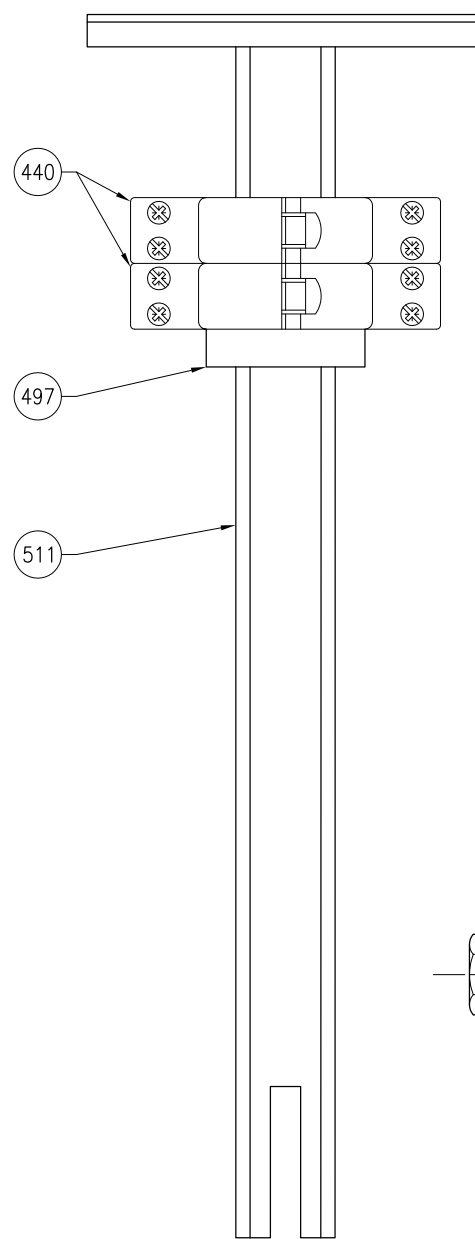
- Departmental Standard Drawings:
- 1323 Road Lighting - Luminaire Terminal Panel
 - 1389 Road Lighting - Slip Base Pole Male/Female Connectors Installation details
 - 1399 Road Lighting - Base Plate Mounted Pole Wiring Details
 - 1400 Road Lighting - Slip Base Pole Wiring Details
 - 1624 Road Lighting - Junction Box Single Phase Wiring Details
 - 1625 Road Lighting - Junction Box Three Phase Wiring Details
 - 1626 Road Lighting - Junction Box Active, Neutral and Earth Bolting Arrangements
 - 1699 Traffic Signals/Road Lighting/ITS - Parts List

Departmental Specifications:

MRTS256 Power Cables

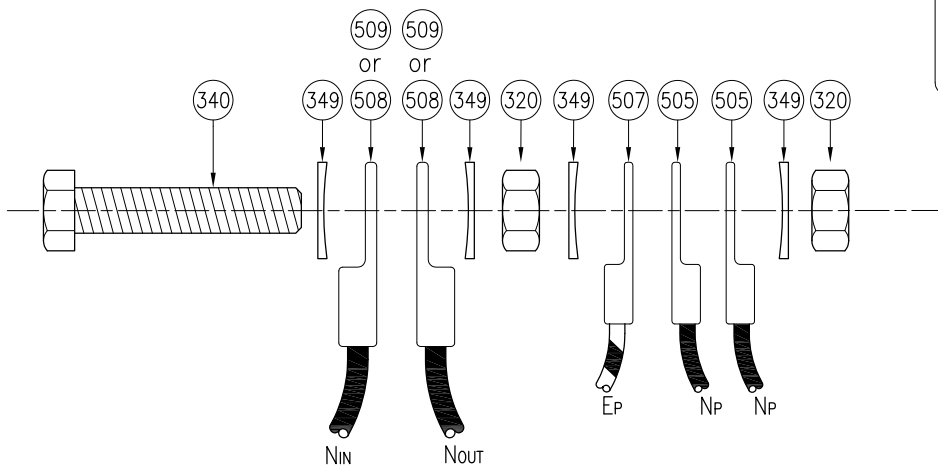
Australian Standards:

AS/NZS 3000 Electrical installations (Wiring Rules)

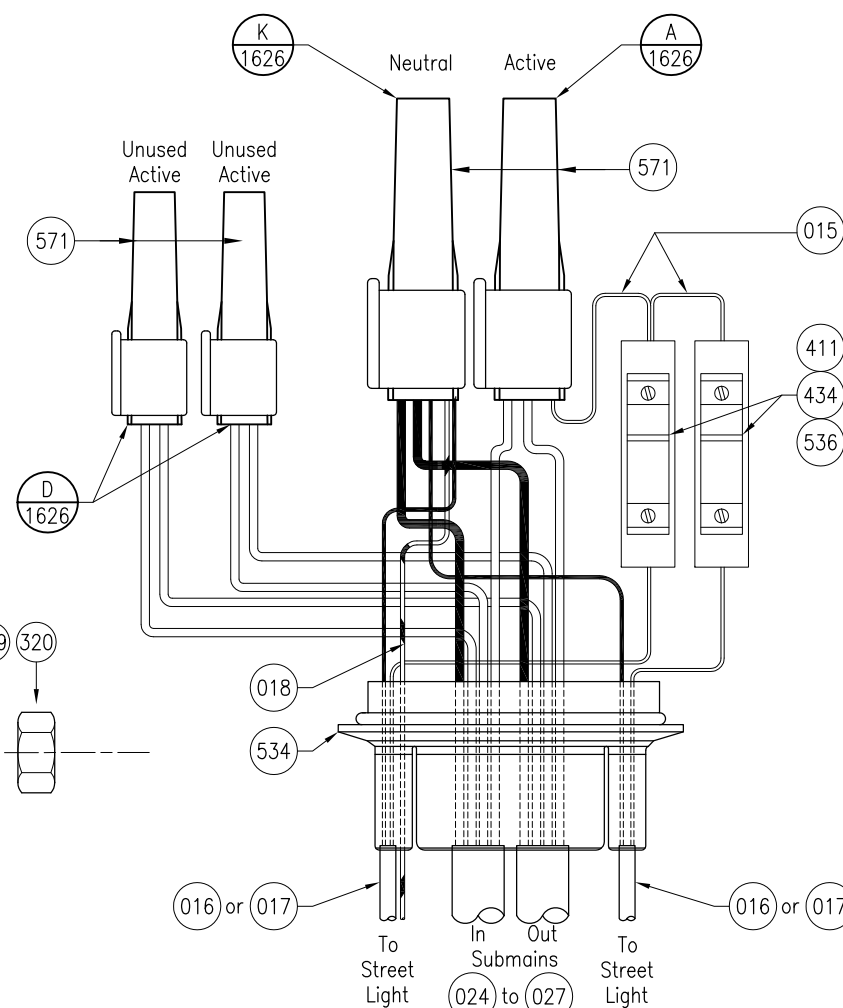


DETAIL E
SLIP BASE
BASE PLATE MOUNTED

Refer Standard Drawing 1323



POLE NEUTRAL
DETAIL



DETAIL G
THREE PHASE
FUSED JOINT (417)

Refer Standard Drawing 1624 or 1625

Department of Transport and Main Roads				<small>© The State of Queensland (Department of Transport and Main Roads) 2017 http://creativecommons.org/licenses/by/3.0/au</small>	
ROAD LIGHTING				A3	Standard Drawing No
LUMINAIRE HEADFRAMES WIRING DETAILS 4 X 400W LUMINAIRES		Not to Scale	1410		Date 7/17
A	B	C	D	E	F